

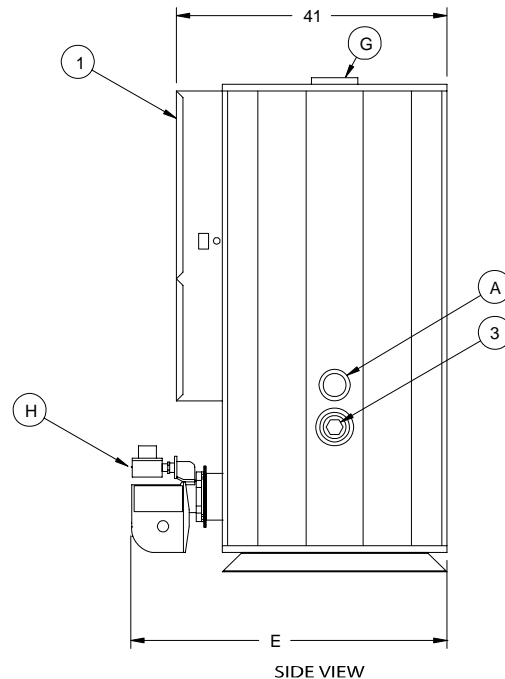
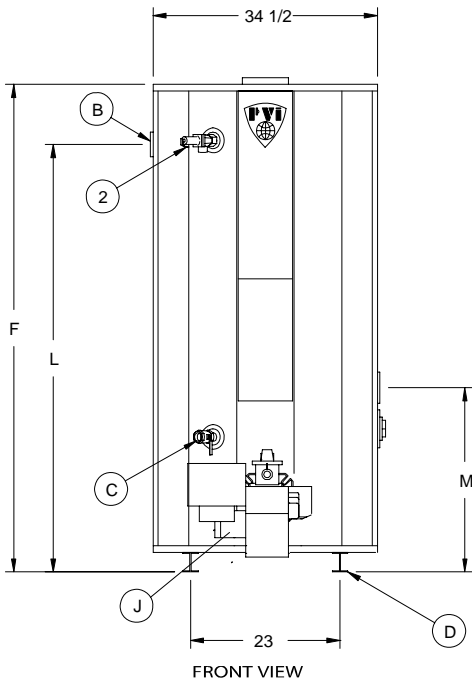
# LOW NO<sub>x</sub> MAXIM • PACKAGED GAS WATER HEATER POLYSHIELD® POLYMER-LINED STORAGE TANK

## 119 GALLON TANK SERIES

MODEL NUMBER	20 P 119A-MXS
GPH Recovery at 40° to 120° F	245
GPH Recovery at 40° to 140° F	195
Input Btu/h	199,000
Minimum gas inlet pressure – " W.C.	5.5
A Cold Inlet - NPT	2
B Hot Outlet - NPT	2
C Drain - NPT	1
D I - Beam Skids	3 X 34-1/2
E Overall Depth	47
F Overall Height	75
G Flue Outlet Diameter	5
H Gas Inlet - NPT	1/2
J Motor HP 120 V, 1Ø, 60 Hz.	1/6
Motor Amps	1.75
L Height to Outlet	65
M Height to Inlet	28
Approx. Shipping Weight - lbs	1070

Recoveries based on 82% thermal efficiency. ASHRAE 90.1 compliant.  
Dimensions are in inches unless otherwise specified.  
For standard and optional equipment, see Form # PV6377.

1. Control Enclosure
2. ASME Temperature & Pressure Relief Valve
3. 3" NPT Handhole



### STANDARD GAS PRESSURE REQUIREMENTS:

SEE TABLE FOR MINIMUM PRESSURE BY MODEL NUMBER.  
MAXIMUM STATIC PRESSURE: 9" W.C.  
FOR GAS PRESSURES OUTSIDE OF THIS RANGE,  
CONTACT YOUR PVI REPRESENTATIVE.

### STANDARD ELECTRICAL REQUIREMENTS:

CONTROL VOLTAGE: 120V, 1Ø, 60 HZ., 2 AMPS

### VENTING REQUIREMENTS:

-.02" TO -.06" W.C. (NEGATIVE PRESSURE).  
TYPE B VENTING.  
**THE ENTIRE VENT SYSTEM SHOULD NEVER BE SIZED BASED UPON THE  
VENT CONNECTION DIAMETER EXCLUSIVELY.**  
**FOR PROPER VENT SIZING, CONSULT THE NATIONAL FUEL GAS CODE  
UNDER "FAN-ASSISTED".**

**PVI RESERVES THE RIGHT TO CHANGE THE DESIGN AND  
SPECIFICATION WITHOUT NOTICE.**



PVI INDUSTRIES, LLC  
FORT WORTH, TEXAS 76111  
(800) 784-8326 • www.pvi.com

Product is patented in the U.S., Canada, and Mexico.



## Free Manuals Download Website

<http://myh66.com>

<http://usermanuals.us>

<http://www.somanuals.com>

<http://www.4manuals.cc>

<http://www.manual-lib.com>

<http://www.404manual.com>

<http://www.luxmanual.com>

<http://aubethermostatmanual.com>

Golf course search by state

<http://golfingnear.com>

Email search by domain

<http://emailbydomain.com>

Auto manuals search

<http://auto.somanuals.com>

TV manuals search

<http://tv.somanuals.com>