



PLATINUM® • CONDENSING GAS WATER HEATER STAINLESS STEEL TANK

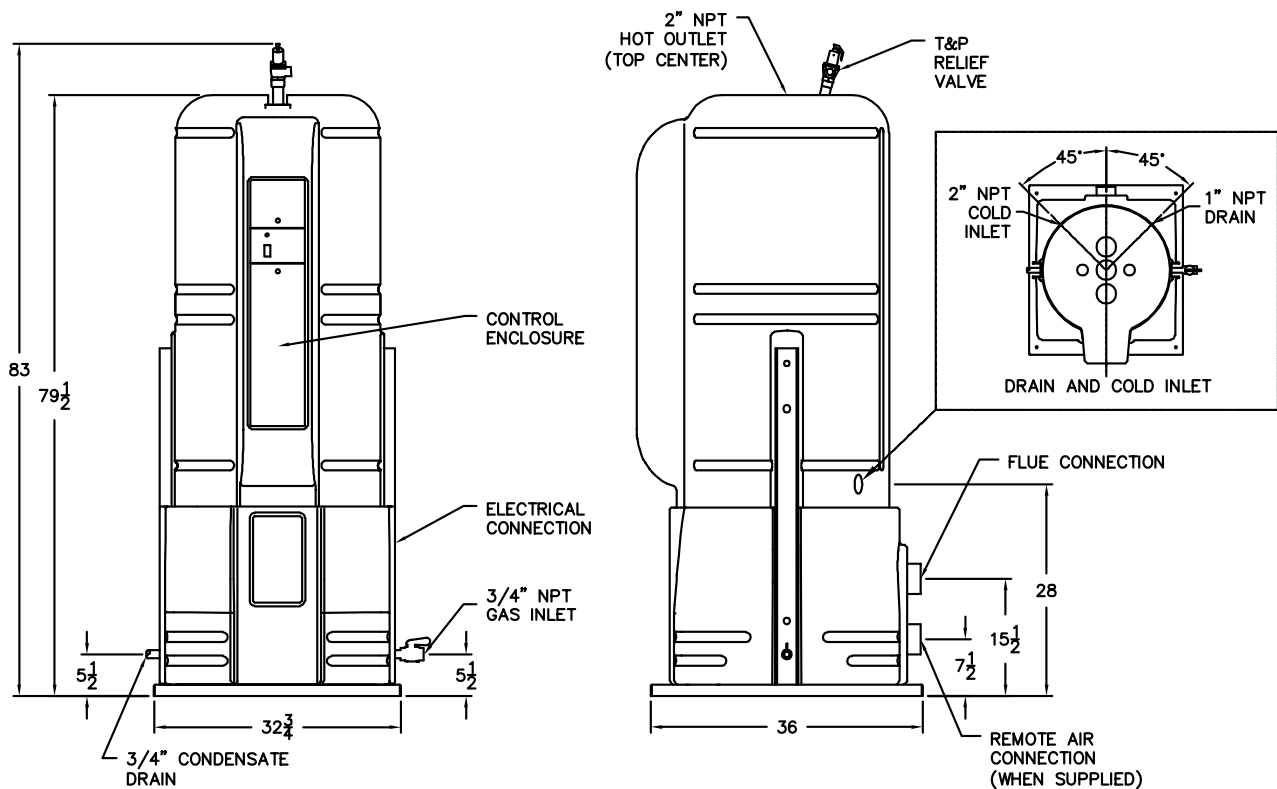
TANK SERIES 70 GALLONS

MODEL NUMBER ▶	199 SS A-PN	299 SS A-PN	399 SS A-PN
Input Btu/h	199,000	299,000	399,000
GPH Recovery Rate at 40°F to 140°F	221	340	444
Storage Capacity - gallons	80	70	70
1st Hour Delivery (100°F ΔT) - gallons	289	397	501
Hot Outlet and Cold Inlet - NPT	2	2	2
Flue Connection Diameter - inches	3 *	4	4
Approximate Shipping Weight - lbs	1000	1100	1100

Dimensions are in inches unless otherwise noted.

For standard and optional equipment, see form # PV 6811.

* When connected with field provided 3" x 4" adapter of the same material as required for venting (see I&M).



STANDARD GAS PRESSURE REQUIREMENTS
MINIMUM FLOW GAS PRESSURE: 4.5" W.C. MAXIMUM STATIC GAS PRESSURE: 10.5" W.C. FOR GAS PRESSURES OUTSIDE OF THIS RANGE, CONTACT YOUR PVI REPRESENTATIVE.
STANDARD ELECTRICAL REQUIREMENTS
120V, 1Ø, 60 HZ. MAXIMUM AMP DRAW (TRIAL FOR IGNITION): 6 CONTINUOUS AMP DRAW WHEN FIRING: 1.3 CONTINUOUS AMP DRAW DURING STANDBY: 0.03

VENTING REQUIREMENTS
CATEGORY IV - POSITIVE PRESSURE, CONDENSING. UL CLASSIFIED FOR SCHEDULE 40, SOLID-WALL PVC OR CPVC PIPE. "SANI" TEMPERATURE HEATER REQUIRES CPVC VENT PIPE
SEE INSTALLATION MANUAL FOR VENTING AND DIRECT COMBUSTION AIR GUIDELINES.

PVI RESERVES THE RIGHT TO CHANGE THE DESIGN
AND SPECIFICATION WITHOUT NOTICE.

This product is protected by patents in the U.S., Canada and Mexico.

PV 6812 09/08

PVI INDUSTRIES, LLC
FORT WORTH, TEXAS 76111
(800) 784-8326 • www.pvi.com



Free Manuals Download Website

<http://myh66.com>

<http://usermanuals.us>

<http://www.somanuals.com>

<http://www.4manuals.cc>

<http://www.manual-lib.com>

<http://www.404manual.com>

<http://www.luxmanual.com>

<http://aubethermostatmanual.com>

Golf course search by state

<http://golfingnear.com>

Email search by domain

<http://emailbydomain.com>

Auto manuals search

<http://auto.somanuals.com>

TV manuals search

<http://tv.somanuals.com>