

MAXIM • PACKAGED GAS WATER HEATER NICKELSHIELD® NICKEL-PLATED STORAGE TANK

125 GALLON TANK SERIES

MODEL NUMBER	20 N 125A-MXS	27 N 125A-MXS	40 N 125A-MXS	54 N 125A-MXG	72 N 125A-MXG	80 N 125A-MXG
GPH Recovery at 40° to 120° F	245	330	490	670	900	1000
GPH Recovery at 40° to 140° F	195	260	390	540	720	800
Input Btu/h	199,000	270,000	399,000	540,000	720,000	800,000
* Min. inlet flow gas pressure " W.C.	5.5	5.5	5.5	4.5	4.5	4.5
* Max static gas pressure "W.C.	9	9	9	14	14	14
A Cold Inlet - NPT	2	2	2	2	2	2
B Hot Outlet - NPT	2	2	2	2	2	2
C Drain - NPT	1	1	1	1	1	1
D I - Beam Skids	3 x 34-1/2	3 x 34-1/2	3 x 34-1/2	3 x 34-1/2	3 x 34-1/2	3 x 34-1/2
E Overall Depth	45	45	45	53	52	54
F Overall Height	75	75	75	82	82	82
G Flue Outlet Diameter	5	6	7	8	10	10
H Gas Inlet - NPT	1/2	3/4	3/4	1	1-1/4	1-1/4
J Motor HP 120 V, 1Ø, 60 Hz.	1/6	1/6	1/6	1/3	1/3	1/3
K Motor Amps	1.75	1.75	1.75	8	8	8
L Height to Outlet	65	65	65	73	73	73
M Height to Inlet	28	28	28	36	36	36
Approx. Shipping Weight - lbs	1020	1070	1130	1260	1370	1390

ASHRAE 90.1 compliant.

Models with suffix "MXS" are registered as low NOx water heaters in California and Texas

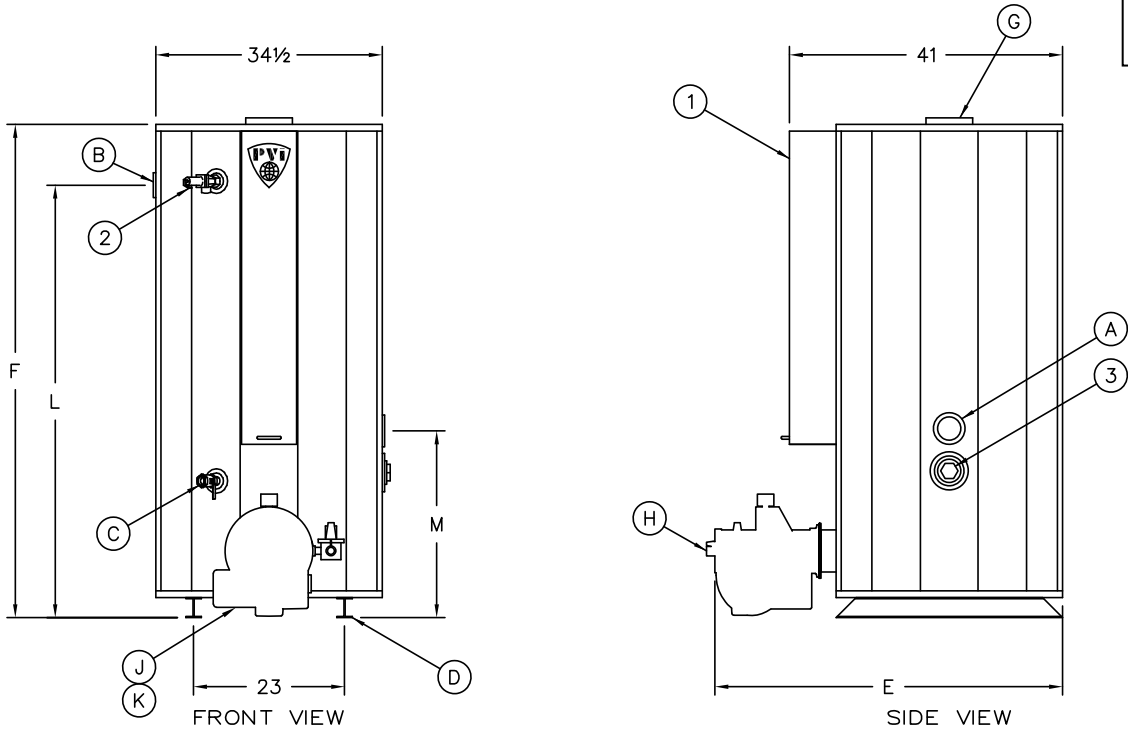
* The information presented is for natural gas 0.6 S.G. – For operation with propane (LP gas), consult the factory.

* For gas pressures outside of this range, consult factory.

Dimensions are in inches unless otherwise specified.

For standard and optional equipment, see form # PV 6137.

1. Control Enclosure
2. ASME Temperature & Pressure Relief Valve
3. 3" NPT Handhole



STANDARD ELECTRICAL CONNECTIONS

CONTROL VOLTAGE: 120V, 1Ø, 60 Hz, 2 amps
SEE ABOVE CHART FOR BLOWER MOTOR AMPS

VENTING REQUIREMENTS

-.02" TO -.06" W.C. (negative pressure)
TYPE B VENTING
THE ENTIRE VENT SYSTEM SHOULD NEVER BE SIZED BASED UPON THE VENT CONNECTION DIAMETER EXCLUSIVELY. FOR PROPER VENT SIZING, CONSULT THE NATIONAL FUEL GAS CODE UNDER "FAN-ASSISTED"

PVI RESERVES THE RIGHT TO CHANGE THE DESIGN AND SPECIFICATION WITHOUT NOTICE.



PVI INDUSTRIES, LLC
FORT WORTH, TEXAS 76111
(800) 784-8326 • www.pvi.com

Product is patented in the U.S., Canada, and Mexico.



Free Manuals Download Website

<http://myh66.com>

<http://usermanuals.us>

<http://www.somanuals.com>

<http://www.4manuals.cc>

<http://www.manual-lib.com>

<http://www.404manual.com>

<http://www.luxmanual.com>

<http://aubethermostatmanual.com>

Golf course search by state

<http://golfingnear.com>

Email search by domain

<http://emailbydomain.com>

Auto manuals search

<http://auto.somanuals.com>

TV manuals search

<http://tv.somanuals.com>