

# LOW NO<sub>x</sub> MAXIM • PACKAGED GAS WATER HEATER

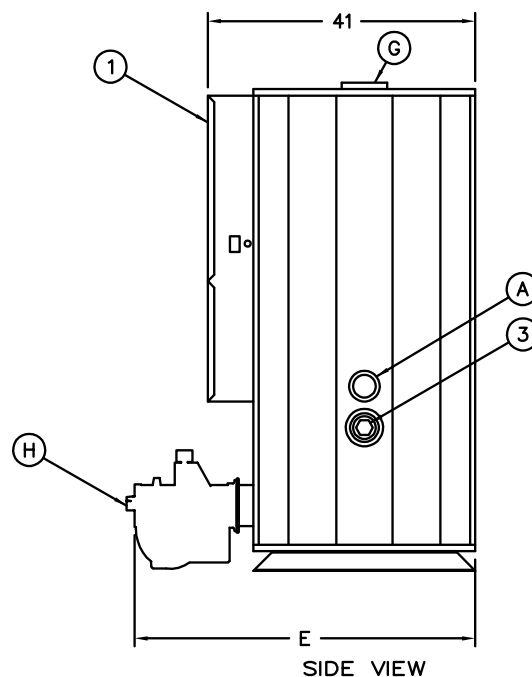
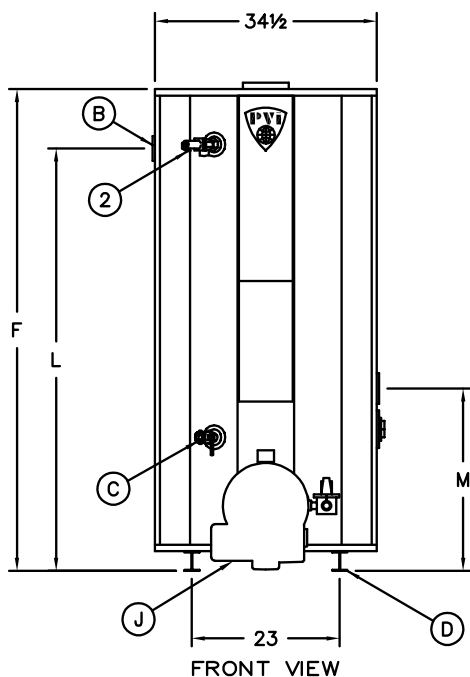
## POLYSHIELD® POLYMER-LINED STORAGE TANK

### 125 GALLON TANK SERIES

| MODEL NUMBER                        | 20 P 125A-MXS | 27 P 125A-MXS | 40 P 125A-MXS |
|-------------------------------------|---------------|---------------|---------------|
| GPH Recovery at 40° to 120° F       | 245           | 330           | 490           |
| GPH Recovery at 40° to 140° F       | 195           | 260           | 390           |
| Input Btu/h                         | 199,000       | 270,000       | 399,000       |
| Minimum gas inlet pressure – " W.C. | 5.5           | 5.5           | 5.5           |
| A Cold Inlet - NPT                  | 2             | 2             | 2             |
| B Hot Outlet - NPT                  | 2             | 2             | 2             |
| C Drain - NPT                       | 1             | 1             | 1             |
| D I - Beam Skids                    | 3 X 34-1/2    | 3 x 34-1/2    | 3 x 34-1/2    |
| E Overall Depth                     | 45            | 45            | 45            |
| F Overall Height                    | 75            | 75            | 82            |
| G Flue Outlet Diameter              | 5             | 6             | 7             |
| H Gas Inlet - NPT                   | 1/2           | 3/4           | 3/4           |
| J Motor HP 120 V, 1Ø, 60 Hz.        | 1/6           | 1/6           | 1/6           |
| Motor Amps                          | 1.75          | 1.75          | 1.75          |
| L Height to Outlet                  | 65            | 65            | 73            |
| M Height to Inlet                   | 28            | 28            | 36            |
| Approx. Shipping Weight - lbs       | 1020          | 1070          | 1130          |

Recoveries based on 82% thermal efficiency. ASHRAE 90.1 compliant.  
 Dimensions are in inches unless otherwise specified.  
 For standard and optional equipment, see Form # PV6377.

1. Control Enclosure
2. ASME Temperature & Pressure Relief Valve
3. 3" NPT Handhole



#### STANDARD GAS PRESSURE REQUIREMENTS:

SEE TABLE FOR MINIMUM PRESSURE BY MODEL NUMBER.  
 MAXIMUM STATIC PRESSURE: 9" W.C.  
 FOR GAS PRESSURES OUTSIDE OF THIS RANGE,  
 CONTACT YOUR PVI REPRESENTATIVE.

#### STANDARD ELECTRICAL REQUIREMENTS:

**CONTROL VOLTAGE:** 120V, 1Ø, 60 HZ., 2 AMPS

#### VENTING REQUIREMENTS:

-.02" TO -.06" W.C. (NEGATIVE PRESSURE).  
 TYPE B VENTING.  
**THE ENTIRE VENT SYSTEM SHOULD NEVER BE SIZED BASED UPON THE  
 VENT CONNECTION DIAMETER EXCLUSIVELY.  
 FOR PROPER VENT SIZING, CONSULT THE NATIONAL FUEL GAS CODE  
 UNDER "FAN-ASSISTED".**

**PVI RESERVES THE RIGHT TO CHANGE THE DESIGN AND  
 SPECIFICATION WITHOUT NOTICE.**



PVI INDUSTRIES, LLC  
 FORT WORTH, TEXAS 76111  
 (800) 784-8326 • www.pvi.com

Product is patented in the U.S., Canada, and Mexico.



## Free Manuals Download Website

<http://myh66.com>

<http://usermanuals.us>

<http://www.somanuals.com>

<http://www.4manuals.cc>

<http://www.manual-lib.com>

<http://www.404manual.com>

<http://www.luxmanual.com>

<http://aubethermostatmanual.com>

Golf course search by state

<http://golfingnear.com>

Email search by domain

<http://emailbydomain.com>

Auto manuals search

<http://auto.somanuals.com>

TV manuals search

<http://tv.somanuals.com>