

MAXIM • PACKAGED GAS WATER HEATER

POLYSHIELD® POLYMER-LINED STORAGE TANK

90 GALLON TANK SERIES

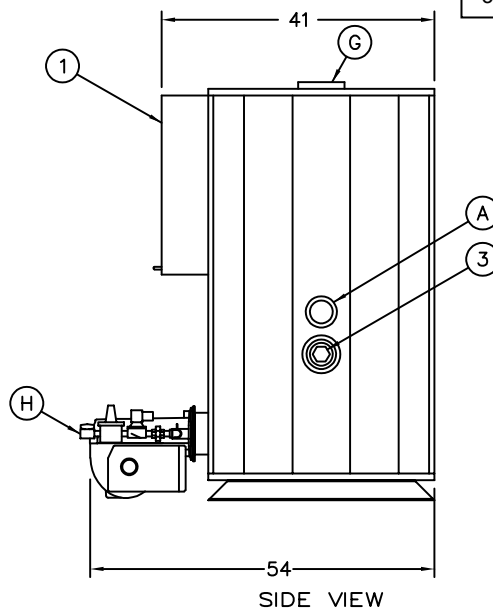
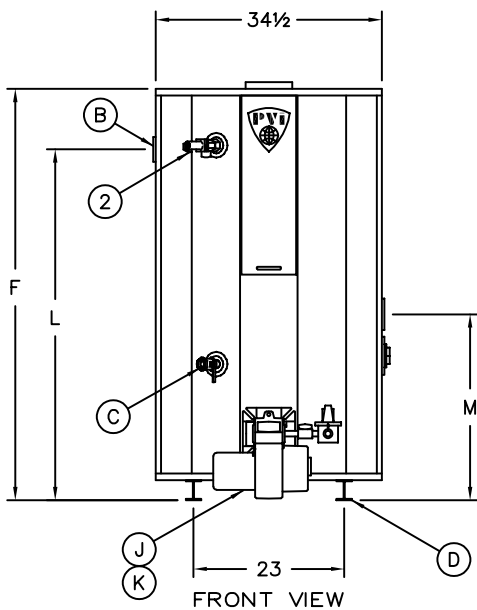
MODEL NUMBER	40 P 90A-MXG	54 P 90A-MXG
GPH Recovery at 40° to 120° F	500	670
GPH Recovery at 40° to 140° F	400	540
Input Btu/h	399,000	540,000
* Minimum inlet flow gas pressure – " W.C.	4.5	4.0
A Cold Inlet - NPT	2	2
B Hot Outlet - NPT	2	2
C Drain - NPT	1	1
D I - Beam Skids	3 x 34-1/2	3 x 34-1/2
F Overall Height	64	72
G Flue Outlet Diameter	7	8
H Gas Inlet - NPT	3/4	1
J Motor HP 120 V, 1Ø, 60 Hz.	1/3	1/3
K Motor Amps	8	8
L Height to Outlet	53	61
M Height to Inlet	28	36
Approx. Shipping Weight - lbs	1010	1130

Recoveries based on 83% thermal efficiency. ASHRAE 90.1 compliant.

Dimensions are in inches unless otherwise specified.

* The information presented is for natural gas 0.6 S.G. – For operation with propane (LP gas), consult the factory.
For standard and optional equipment, see form # PV 6141.

1. Control Enclosure
2. ASME Temperature & Pressure Relief Valve
3. 3" NPT Handhole



STANDARD GAS PRESSURE REQUIREMENTS:

SEE TABLE FOR MINIMUM PRESSURE BY MODEL NUMBER.

MAXIMUM STATIC INLET GAS PRESSURE: 14" W.C.

**FOR GAS PRESSURES OUTSIDE OF THIS RANGE,
CONTACT YOUR PVI REPRESENTATIVE.**

STANDARD ELECTRICAL REQUIREMENTS:

CONTROL VOLTAGE: 120V, 1Ø, 60 HZ., 2 AMPS

MOTOR VOLTAGE: 120V, 1Ø, 60 HZ.

SEE ABOVE CHART FOR BLOWER MOTOR AMPS

VENTING REQUIREMENTS:

-.02" TO -.06" W.C. (NEGATIVE PRESSURE).

TYPE B VENTING

**THE ENTIRE VENT SYSTEM SHOULD NEVER BE SIZED BASED UPON THE
VENT CONNECTION DIAMETER EXCLUSIVELY.
FOR PROPER VENT SIZING, CONSULT THE NATIONAL FUEL GAS CODE
UNDER "FAN-ASSISTED".**

**PVI RESERVES THE RIGHT TO CHANGE THE DESIGN AND
SPECIFICATION WITHOUT NOTICE**



PVI INDUSTRIES, LLC
FORT WORTH, TEXAS 76111
(800) 784-8326 • www.pvi.com

Product is patented in the U.S., Canada, and Mexico.



Free Manuals Download Website

<http://myh66.com>

<http://usermanuals.us>

<http://www.somanuals.com>

<http://www.4manuals.cc>

<http://www.manual-lib.com>

<http://www.404manual.com>

<http://www.luxmanual.com>

<http://aubethermostatmanual.com>

Golf course search by state

<http://golfingnear.com>

Email search by domain

<http://emailbydomain.com>

Auto manuals search

<http://auto.somanuals.com>

TV manuals search

<http://tv.somanuals.com>