

**OWNER'S MANUAL
POWER INVERTER**



www.pyleaudio.com

INTRODUCTION

Thank you for purchasing the Pyle view Inverter . The Pyle view Inverter will power a wide variety of household or electronic appliance reliably from the 12V volt in your vehicle or boat ,or directly from a 12volt battery to serve . Such as laptop computers, digital /video camera , Mp3 player ,cell phones ,Ipod TM, Blackberry TM and etc.

Please pay your special attention to all CAUTION and WARNING statements. Improper use of this inverter can cause personnel injury, property damage

-WARNING

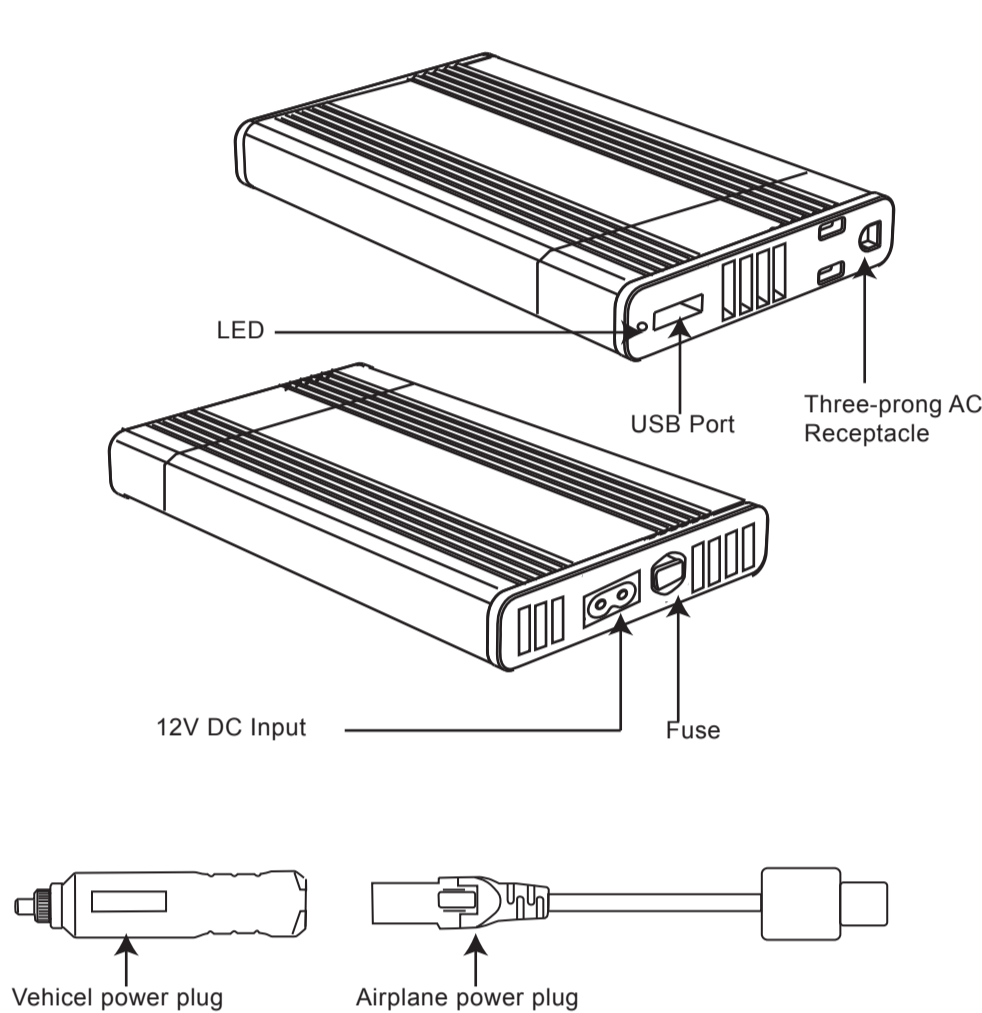
- Shock Hazard. Keep away from children.
- The PNVU200 Generates the same potentially lethal AC power as normal household wall outlet. Treat it with the same respect that You would do to any AC outlet.
- The PNVU200 is designed for indoor use only and not recommended for use with inductive loads, such as florescent lamps, compressors & pumps.
- Ensure to maintain at least 2-inch (5cm) air space on all sides of this inverter, as its housing may become uncomfortably warm, reaching 140°F (60°C) under extended high power.
- Disconnect power to the inverter when it is not in use.
- Do not expose this inverter to water, rain, snow or spray.
- Do not insert foreign objects into this inverter's AC outlets.
- Do not leave this inverter or any device operating unattended, to avoid property damage potentially.
- Do not use or place this inverter near flammable materials or any places, which accumulate flammable fumes.
- Do not connect this inverter to power utility AC distribution wiring under any circumstance.
- Check the input and output connectors of this inverter are tight regularly. The loose connections can generate harmful heat and /of damage the inverter or power source.

-CAUTION

- Do not connect any AC product to this inverter, whose neutral conductor is connected to ground.
- Do not expose this inverter temperature in excess of 100°F(40°C).
- This inverter must be connected only to batteries with a normal output voltage of 12 Volts. This unit will not operate from a 6-Volt battery and will be damaged if it is connected to a 24-Volt battery.

1

-FEATURES



2

OPERATION

-CAUTION: DO NOT USE THIS INVERTER WITH THE FOLLOWING:
•Small battery operated appliances such as RECHARGEABLE FLASHLIGHTS, SOME RECHARGEABLE SHAVERS and NIGHT LIGHTS that are plugged directly into as RECEPTACLE TO RECHARGE.

•BATTERY CHARGES used with certain power tool battery packs. These chargers will have a WARNING LABEL stating that DANGEROUS VOLTAGE ARE PRESENT AT THE CHARGERS BATTERY TERMINALS.

-WARNING:

Batteries contain corrosive materials and present an Energy Hazard. To prevent irritation and burns, wear protective wear and clothing, and take special care to ensure no metal tools or personal objects contact the battery terminals.

Using the inverter

Using the Power cord with cigarette lighter plug

- A. Connect the cigarette lighter plug adapter to power cord .
- B .Plug the power cord into the power cord port on pyle view inverter
- C: Insert the cigarette lighter plug into the 12V outlet
- D. Plug an AC product into the three-prong AC receptacle and the led lights blue.

Caution :

Ensure your product draws 80watts or less of continuous AC power. To avoid discharging the vehicle battery, always remove the inverter from the lighter socket when not in use.

Using the power cord with airplane power plug

- A .Plug the power cord into the power cord port on pyle view inverter
- B: Insert the airplane power plug into the 12V outlet
- D. Plug an AC product into the three-prong AC receptacle and the led lights blue.

Caution :

Ensure your product draws 80watts or less of continuous AC power. To avoid discharging the vehicle battery, always remove the inverter from the lighter socket when not in use.

3

Inverter operation

- 1. When properly connected to a 12V outlet , the light will turn blue , indicating the inverter is ready
- 2 . Plug the AC product into the AC outlet or USB port .

-The LED indicators

- A. Blue : It indicates the inverter is power on,
- B. BLUE FAILS TO LIGHT: It indicates the inverter shutdown caused by low voltage, overload, or excessive temperature.

CAUTION:

•Do not connect to AC DISTRIBUTION WIRING. The inverter is designed for connection directly to standard electrical and electronic equipment.

•Do not connect the inverter to household or RV AC distribution wiring.

•Do not connect the inverter to any AC load circuit in which the neutral conductor is connected to ground (earth) or to the negative of DC (battery) source.

BATTERY OPERATING TIME

The vehicle batteries are not intended for constant deep discharge, they are designed to provide brief periods of very high current needed for engine starting. It is strongly recommended to start the vehicle every hour or two to recharge battery before its capacity drops too low. Operating the inverter from a vehicle battery until the low voltage shutdown will shorten the battery's life.

The inverter can operate whether or not the vehicle's engine is running, but the normal voltage drop that occurs during starting may trigger the inverter's low voltage shutdown feature.

The use of a deep discharge battery is strongly advised for longer operating times. Its capacity should be selected based on the desired operating time.

PROTECTION SYMPTOMS

The low voltage battery (below DC 10V)

The high input voltage (over DC 15.6V)
The overload

PROTECTION

The unit auto shutdown.
The Blue LED turns off.

The unit auto shutdown
The Blue LED turns off

4

Troubleshooting

SYMPTOM A: NO AC POWER OUTPUT , THE GREEN TURNS OFF

POSSIBLE CAUSE	SUGGESTION
AC product connected is rated at more than 80watts; overload shutdown occurs	Use product with a power rating of less than 80watts
Peak power has caused overload shutdown even though AC product connected is rated at less than 80 watts	Product exceeds inverter's surge capability. Use a product with peak power of less than 160W
Lighter socket or 12 volt outlet may require ignition to be switched on	Turn ignition key to accessory position
Poor contact with lighter socket or 12 volt outlet	Press inverter firmly into the lighter socket. Make sure socket is clean.
Vehicle battery is discharged	Recharge battery

Problem: Buzzing sound in audio systems

Inexpensive stereo systems have an inadequate internal power supply filtering which causes a buzzing sound. A system with a high quality filter is the only solution.

5

SPECIFICATIONS

AC Power Output

- AC output voltage.....115 Volts AC
- DC input voltage range.....10-15 Volts DC
- Maximum Continuous AC output power.....160 Watts
- Maximum AC output surge power.....80Watts
- AC output frequency.....60 HZ +/- 2 HZ
- AC output waveform.....modified sine wave
- NO load current draw.....less than 0.3A
- Input current12.8-20 AMP
- Optimum efficiency.....90%
- Ambient operating temperature range.....0°C-40°C/32°C-100°C
- Low battery shut down point (nominal).....9.7-10.3 Volts
- High battery shut down point (nominal).....15-16 Volts
- AC receptacles.....1
- DC receptacles.....1
- .Dimensions (W x H x D mm).....79x141x18

USB Power Output

- DC output voltage.....5V
- DC output current (max).....0.5A DC

Remarks: The USB port doesn't provide the data exchange . It only powers the an external USB-powered device .

**Specification are typical; individual units might vary.
Specifications are subject to change and improvement without notice.**

6

Free Manuals Download Website

<http://myh66.com>

<http://usermanuals.us>

<http://www.somanuals.com>

<http://www.4manuals.cc>

<http://www.manual-lib.com>

<http://www.404manual.com>

<http://www.luxmanual.com>

<http://aubethermostatmanual.com>

Golf course search by state

<http://golfingnear.com>

Email search by domain

<http://emailbydomain.com>

Auto manuals search

<http://auto.somanuals.com>

TV manuals search

<http://tv.somanuals.com>