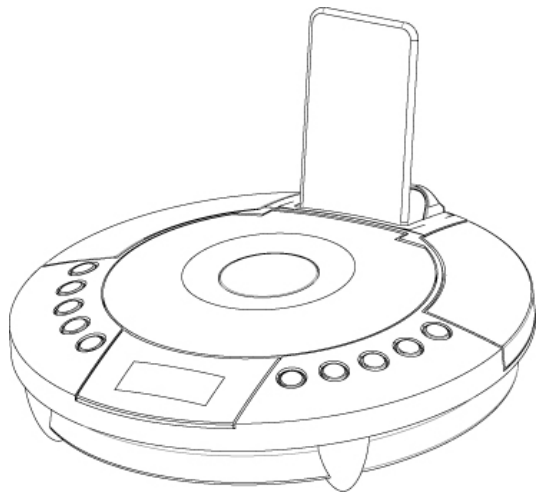




## iPhone/iPod FM Radio Receiver with CD Player & Alarm Clock



Model : PICL48



**Note:** Please read and follow these instructions before using your unit.

### WARNING

- TO PREVENT FIRE OR SHOCK HAZARD. DO NOT EXPOSE THIS APPLIANCE TO RAIN OR MOISTURE.
- THIS APPLIANCE SHALL NOT BE EXPOSED TO DRIPPING OR SPLASHING WATER AND THAT NO OBJECT FILLED WITH LIQUIDS SUCH AS VASES SHALL BE PLACED ON APPARATUS.


	<b>CAUTION</b> <b>RISK OF ELECTRIC SHOCK</b> <b>DO NOT OPEN</b>	
The lightning flash with arrowhead symbol, within an equilateral triangle, is intended to alert the user to the presence of uninsulated "dangerous voltage" within the products enclosure that may be of sufficient magnitude to constitute a risk of electric shock to persons.	Warning: To reduce the rise of electric shock, do not remove cover (or back) no user-serviceable parts inside. Refer servicing to qualified service personnel.	The exclamation point within an equilateral triangle is intended to alert the user to the presence of important operating and maintenance (servicing) instructions in the literature accompanying the appliance.

### IMPORTANT SAFETY INSTRUCTIONS

- 1) Read these instructions.
- 2) Keep these instructions.
- 3) Heed all warnings.
- 4) Follow all instructions.
- 5) Do not use this apparatus near water.
- 6) Clean only with dry cloth.
- 7) Do not block any ventilation openings. Install in accordance with the manufacturer's instructions.
- 8) Do not install near any heat sources such as radiators, heat registers, stoves, or other apparatus (including amplifiers) that produce heat.
- 9) Do not defeat the safety purpose of the polarized or grounding-type plug. A polarized plug has two blades with one wider than the other. A grounding type plug has two blades and a third grounding prong. The wide blade or the third prong are provided for your safety. If the provided plug does not fit into your outlet, consult an electrician for replacement of the obsolete outlet.
- 10) Protect the power cord from being walked on or pinched particularly at plugs, convenience receptacles, and the point where they exit from the apparatus.

- 11) Only use attachments/accessories specified by the manufacturer.
- 12) Use only with the cart, stand, tripod, bracket, or table specified by the manufacturer, or sold with the apparatus. When a cart is used, use caution when moving the cart/apparatus combination to avoid injury from tip-over.



- 13) Unplug this apparatus during lightning storms or when unused for long periods of time.
- 14) Refer all servicing to qualified service personnel. Servicing is required when the apparatus has been damaged in any way, such as power-supply cord or plug is damaged, liquid has been spilled or objects have fallen into the apparatus, the apparatus has been exposed to rain or moisture, does not operate normally, or has been dropped.
- 15) Grounding or Polarization – This product may be equipped with a polarized alternating-current line plug (a plug having one blade wider than the other). This plug will fit into the power outlet only one way. This is a safety feature. If you are unable to insert the plug fully into the outlet, try reversing the plug. If the plug should still fail to fit, contact your electrician to replace your obsolete outlet. Do not defeat the safety purpose of the polarized plug.  
Alternate Warnings - This product is equipped with a three-wire grounding-type plug, a plug having a third (grounding) pin. This plug will only fit into a grounding-type power outlet. This is a safety feature. If you are unable to insert the plug into the outlet, contact your electrician to replace your obsolete outlet. Do not defeat the safety purpose of the grounding-type plug.
- 17) Ventilation – Slots and openings in the cabinet are provided for ventilation and to ensure reliable operation of the product and to protect it from overheating, and these openings must not be blocked or covered. The openings should never be blocked by placing the product on a bed, sofa, rug, or other similar surface. This product should not be placed in a built-in installation such as a bookcase or rack unless proper ventilation is provided or the manufacturer's instructions have been adhered to.
- 17) The MAINS plug or an appliance coupler is used as the disconnect device, the disconnect device shall remain readily operable.
- 18) : CLASS II apparatus with double insulation, and no protective earth provided.

## FCC NOTICE

This equipment has been tested and found to comply with the limits for a Class B digital device, pursuant to Part 15 of the FCC Rules. These limits are designed to provide reasonable protection against harmful interference in a residential installation. This equipment generates, uses and can radiate radio frequency energy and, if not installed and used in accordance with the instructions, may cause harmful interference to radio communications.

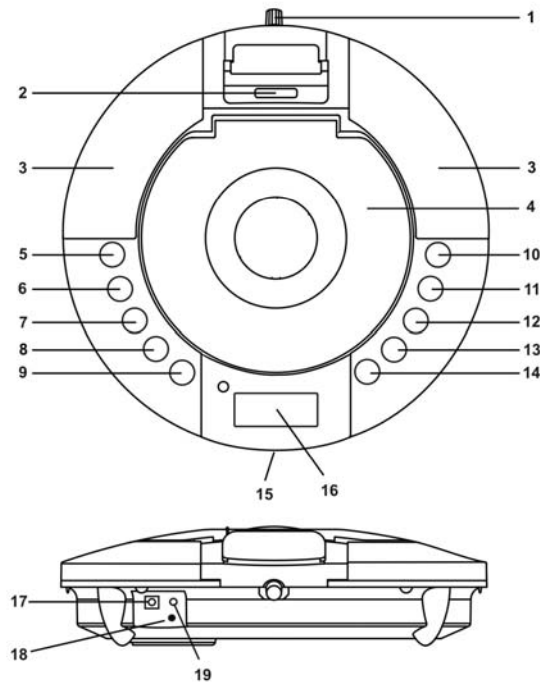
However, there is no guarantee that interference will not occur in a particular installation. If this equipment does cause harmful interference to radio or television reception, which can be determined by turning the equipment off and on, the user is encouraged to try to correct the interference by one or more of the following measures:

- Reorient or relocate the receiving antenna.
- Increase the separation between the equipment and receiver.
- Connect the equipment into an outlet on a circuit different from that to which the receiver is needed.
- Consult the dealer or an experienced radio/TV technician for help.

### WARNING:

Changes or modifications to this unit not expressly approved by the party responsible for compliance could void the user's authority to operate the equipment.

## LOCATION OF CONTROLS



- |    |                              |    |                              |
|----|------------------------------|----|------------------------------|
| 1  | Adjustable Dock Dial         | 11 | Program/Memory/Alarm2 Button |
| 2  | iPod/iPhone Connector        | 12 | Volume + Button              |
| 3  | Speaker                      | 13 | Volume - Button              |
| 4  | CD Compartment               | 14 | Open CD Door Button          |
| 5  | Power/Alarm Off Button       | 15 | Remote Sensor                |
| 6  | Function/Clock Adjust Button | 16 | Display                      |
| 7  | Play/Pause/Sync Button       | 17 | DC In Jack                   |
| 8  | Skip-/Tune- Button           | 18 | FM Antenna                   |
| 9  | Skip+/Tune+ Button           | 19 | Aux-In Jack                  |
| 10 | Stop/Memory+/Alarm1 Button   |    |                              |

## CONNECTING THE UNIT TO POWER

Plug one end of the AC/DC adaptor into the DC-In jack, and then plug the other end into AC wall outlet. Before switching on the unit, make sure that the voltage of your electricity supply is the same as that indicated on the rating plate.

### Backu-up Battery

- Open the battery door located at the bottom of the unit, insert 2 pcs. 'AAA' size (UM-4) batteries with battery polarities same as shown inside the battery compartment.
- In case of AC power outage or interrupted AC power, the current time, alarm time settings and the stored radio stations are preserved in the memory of the unit.

**Important:** When the unit is not use for 3 days or more and also the unit is not connect to AC power during that time, please remove the battery to avoid damage to the set from leakage of battery.

### SETTING THE TIME

Before starting to set the time, make sure that the unit is in POWER OFF Mode .

#### If you have iPod (Except iPod Shuffle) or iPhone

- 1.) Dock in the iPod/iPhone on the 30 pins Connector
- 2.) Press the 'PLAY/PAUSE/SYNC' button for a few seconds until the display will show SYNC with flashing, then the unit will synchronize the time same as the iPod/iPhone's automatically.

#### If you do not have any iPod/iPhone units

- 1.) Press and hold the 'FUNC/CLADJ' button for a few seconds, the hour digit in the display will start flashing.
- 2.) Press the 'TUNE+/SKIP+' or 'TUNE-/SKIP-' button to adjust the hour.
- 3.) When the correct hour is selected, press the 'FUNC/CL.ADJ' button again to enter the minute mode with minute digit flashing.
- 4.) Press the 'TUNE+/SKIP+' or 'TUNE-/SKIP-' button to adjust the minute.
- 5.) When the correct time is selected, press the 'FUNC/CLADJ' button to store the time in the memory.

### SETTING THE ALARM TIME

Before starting to set the alarm time, make sure that the unit is in POWER OFF mode.

- 1.) Press the 'MEM+/AL1' or 'MEM/AL2' button once (You can also use the 'AL1' or 'AL2' button on the remote control) and the AL1 or AL2 icon will appear in the display.
- 2.) Press the 'FUNC/CL. ADJ.' button to select the alarm wake up source. You can choose buzzer, iPod/iPhone, Radio or CD.
- 3.) Press and hold the 'MEM+/AL1' or 'MEM/AL2' button for a few seconds, the alarm hour digit will begin flashing.
- 4.) Press the 'TUNE+/SKIP+' or 'TUNE-/SKIP-' button to adjust the alarm hour.
- 5.) When the desired alarm hour is selected, press the 'MEM+/AL1' or 'MEM/AL2' button again, the alarm minute digit will begin flashing.
- 6.) Press the 'TUNE+/SKIP+' or 'TUNE-/SKIP-' button to adjust the alarm minute.
- 7.) When the desired alarm time is selected, press the 'MEM+/AL1' or 'MEM/AL2' button again to confirm.

**Note :** If you choose iPod/iPhone or CD as the alarm wake up source, please make sure that you havehave the iPod/iPhone or CD in place.

## TURN OFF THE ALARM

When the alarm activate, press the 'POWER/AL.OFF' button to turn off the alarm.

## SNOOZE FUNCTION

1. Whenever the alarm activate, it can be temporarily suspended for a short period of 10 minutes by pressing the 'SLEEP/SNOOZE' button on the remote control.
2. The alarm will then automatically activate again after the 10 minutes SNOOZE period has ended.
3. This procedure can be repeated for up to approximately one hour.

## RADIO OPERATION

1. Press the 'POWER/AL OFF' button to turn on the unit.
2. Press the 'FUNC/CL.ADJ' button to select the FM RADIO mode.
3. Press and hold the 'TUNE+/SKIP+' or 'TUNE-/SKIP-' button for approx. 1 second, it will start to search the next radio station in the direction of the search. The search operation simply finds stations with strong signals. Stations with weak signal can only be tuned in manually.
4. Press the 'P-MODE/MONO' button on the remote control to select stereo or mono broadcasting.
5. Press 'VOL+' or 'VOL-' button to adjust the volume to the desired listening level.

## SAVING RADIO STATIONS IN THE MEMORY

1. Tune to the desired stations.
2. Press the 'PROG/MEM/AL2' button on the unit or the 'MEM' button on the remote control, the display will show the next memory station number flashing.
3. Press the 'TUNE+/SKIP+' or 'TUNE-/SKIP-' button on the unit or the 'M+' or 'M-' button on the remote control to select memory number, then press 'PROG/MEM/AL2' button to store the station into the memory.
4. Repeat step 1 to 3 to store more radio stations in the memory.
5. Up to maximum 20 radio stations can be stored in the memory.

## TO SELECT A STORED RADIO STATION IN THE MEMORY

Use the 'STOP/MEM+/AL2' button on the unit or the 'M+' or 'M-' button on the remote control to select the stored radio station.

Press the 'STOP/MEM+/AL2' on the unit or the 'M+' button on the remote to go to the next station in the memory.

Press the 'M-' button on the remote control to go back to the previous station in the memory.

## CD OPERATION

1. Press the 'POWER/AL OFF' button to turn on the unit.
2. Press the 'FUNC/CL.ADJ' button to select the CD mode.
3. Insert a CD disc in the CD compartment and close the CD door, the unit will start reading the disc, it will play the first track of the entire disc after reading.
4. Press 'VOL+' or 'VOL-' button to adjust the volume to the desired listening level.
5. During playing, press the 'PLAY/PAUSE/SYNC' button to temporarily pause playing. To resume, press the 'PLAY/PAUSE/SYNC' button again.
6. To stop playing, press the 'STOP/MEM+/AL1' button on the unit or the 'STOP' button on the remote control.

## Skip Mode

1. During play or pause mode, press the 'SKIP+/TUNE+' button to go to the next track.
2. During play, press the 'SKIP-/TUNE-' button once to go back to the beginning of the track. Press the 'SKIP-/TUNE-' button twice to go back to the previous track.
3. In pause mode, press the 'SKIP-/TUNE-' button to go back to the previous track.

## Search Mode

1. Press and hold the 'SKIP+/TUNE+' or 'SKIP-/TUNE-' button to quickly advance or reverse through the track at high speed.
2. Release the button to return to normal play.

## Different Play Mode

Press the 'P-MODE/MONO' button on the remote control to select different kinds of play mode with the following sequence.

Repeat ➔ Repeat All ➔ Random ➔ Normal

REPEAT - the track being played and will repeat continuously.

REPEAT ALL - the whole disc will repeat continuously.

RANDOM – the tracks in the disc will be played in random sequence.

## Programming

The programming should be done in STOP mode

1. Press the 'PROG/MEM/AL2' on the unit or 'PROG' button on the remote control, LCD display will show ' 1 : - - ' with ' - - ' flash continuously.
2. Use the "SKIP+/TUNE+" or "SKIP-/TUNE-" button to select the desired track.
3. Press the "PROG/MEM/AL2" on the unit or 'PROG' button on the remote control again to store the selected track in the memory, the LCD display will show ' 2 : - - ' and flash continuously.
4. Repeat steps 2 to 3 to store more tracks in the memory. You can store up to 20 tracks in the memory.
5. Press the 'PLAY/PAUSE/SYNC' button to start playing the disc in the programmed order.
6. To stop playing, press the 'STOP' button.
7. To cancel the programming list, press the 'STOP' button till the 'STOP' disappear from the LCD display or select a different function RADIO, AUX or IPOD/IPHONE.

## LISTEN TO IPOD/IPHONE WITH DOCKING CONNECTOR

**Warning :** Turn off your iPod or iPhone before docking on the unit

1. Press the 'POWER/AL OFF' button to turn on the unit.
2. Press the 'FUNC/CL.ADJ' button to select the iPod mode.
3. Turn the ADJUSTABLE DOCK DIAL to the depth that fit your iPod/iPhone best.
4. Connect the iPod or iPhone to the docking connector, the iPod or iPhone will start playing.
5. Press the 'VOL+' or 'VOL-' button to your desired listening level.
6. During playing or in pause mode, press the 'SKIP+/TUNE+' button to go to the next track.
7. During playing, press the 'SKIP-/TUNE-' button once to go back to the beginning of the track. Press the 'SKIP-/TUNE-' button twice to go back to the previous track.
8. In pause mode, press the 'SKIP-/TUNE-' button once to go back to the previous track.
9. Press the 'PLAY/PAUSE/SYNC' button to temporarily pause playing. To resume, press the 'PLAY/PAUSE/SYNC' button again.

## Operates the IPod/iPhone with the Remote Control

MENU Button – Use this button to go to the Menu Page of the iPod or iPhone.

UP Button – Use this button to scroll up the selection in the Menu.

DN Button – Use this button to scroll down the selection in the Menu.

ENTER Button – Use this button to confirm the selection.

PLAY/PAUSE Button – Use this button to pause playing or resume playing.

STOP Button – Use this button to stop playing.

SKIP-/TUNE- Button – Use this button to go back to the beginning of the track or to the previous track.

SKIP+/TUNE+ Button – Use this button to go to the next track.

**Warning :** Please make sure that your iPod or iPhone is properly docked into the unit. Failure to do so may damage your iPod.

## Charging your iPod

While your iPod or iPhone is docked in the unit and the unit is connected to AC power, your iPod or iPhone will recharge until your iPod or iPhone is fully charged.

## AUX-IN CONNECTION

1. Press the 'POWER/AL OFF' button to turn on the unit.
2. Press the 'FUNC/CL.ADJ.' button to select the AUX mode.
3. Insert one side of the audio cable into the Line-Out or Phone Jack on your MP3 Player or audio device and the other side into the AUX-IN jack of the unit.
4. Turn on your MP3 player or audio device and follow its playback instructions.

## MUTE FUNCTION

This function can only operate by remote control.

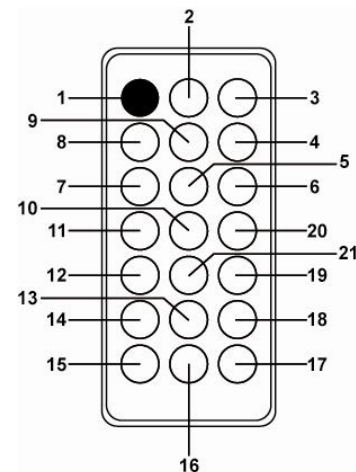
Press the MUTE button on the remote control to mute the unit, press the MUTE button again to cancel the function.

## SLEEP TO MUSIC FUNCTION

1. This function can only operate by remote control.
2. This function allows you to listen to the radio, iPhone/iPod or CD while you fall asleep.
3. Press the 'SLEEP/SNOOZE' button on the remote control, the display will show the default sleep time of 90 minutes. Press the 'SLEEP/SNOOZE' button again to select the sleep time with decrement of 10 minutes.
4. When the correct sleep time is selected, stop pressing the 'SLEEP/SNOOZE' button, the unit will go to the sleep mode in about 5 seconds with SLEEP appear in the display.
5. Now you can enjoy listening to the selected music for the pre-set period of sleep time.
6. After this pre-set time has elapsed, the unit will switch off automatically.

## REMOTE CONTROL OPERATION

Take off the plastic sheet located at the battery compartment tray to activate the remote control. Point the remote control at the remote sensor on the main unit and press the function button to activate the function.




- |                           |                         |
|---------------------------|-------------------------|
| 1. POWER/AL.OFF Button    | 12. AL2 Button          |
| 2. MENU Button            | 13. PROGRAM Button      |
| 3. PLAY/PAUSE/SYNC Button | 14. P-MODE/MONO Button  |
| 4. STOP Button            | 15. SLEEP/SNOOZE Button |
| 5. ENTER Button           | 16. MUTE Button         |
| 6. SKIP+/TUNE+ Button     | 17. VOLUME - Button     |
| 7. SKIP-/TUNE- Button     | 18. VOLUME + Button     |
| 8. FUNC./CL.ADJ Button    | 19. MEMORY - Button     |
| 9. UP Button              | 20. MEMORY + Button     |
| 10. DOWN Button           | 21. MEM Button          |
| 11. AL1 Button            |                         |

## CARE AND MAINTENANCE

- Always turn off the unit after use.
- Keep the unit away from magnetic objects, water or heat sources.
- Use a clean soft cloth moistened with lukewarm water to clean the cabinet. Never use chemical cleaners that could damage the finish of the unit.
- Never touch the CD pickup and lens. If fingerprints get on the pickup lens, clean it gently with a commercial lens cleaner.
- Disconnect the unit from any power sources before cleaning.
- To remove a disc from its storage case, press down on the centre of the case and lift the disc out, holding it carefully by the edges.
- Fingerprints and dust should be carefully wiped off the disc's recorded surface with a soft cloth. Unlike conventional records, compact discs have no grooves to collect dust and microscopic debris so gently wiping with a soft cloth should remove most particles. Wipe in a straight line from the inside to the outside of the disc. Small dust particles and light stains will have absolutely no effect on reproduction quality.
- Never use chemicals such as record sprays, anti-static sprays, benzene or thinners to clean compact discs. These chemicals can irreparably damage the disc's surface.
- Discs should be returned to their cases after use. This avoids serious scratches that could cause the Laser pickup to skip.
- Do not expose discs to direct sunlight, high humidity, or high temperatures for extended periods. Long exposure to high temperatures can warp the disc.
- Do not stick paper or write anything with a ballpoint pen on the label side of the disc.

## SPECIFICATIONS

Frequency Range:	FM 88 – 108 MHz
Power Supply:	AC 100V to 240V ~ 50/60Hz DC Adaptor : 7.5V  1.5A
Back-Up Battery :	2 pcs. UM-4 'AAA' size
Remote Control Battery :	1 pc. CR-2025

Specifications are subject to change without further notice.

## Free Manuals Download Website

<http://myh66.com>

<http://usermanuals.us>

<http://www.somanuals.com>

<http://www.4manuals.cc>

<http://www.manual-lib.com>

<http://www.404manual.com>

<http://www.luxmanual.com>

<http://aubethermostatmanual.com>

Golf course search by state

<http://golfingnear.com>

Email search by domain

<http://emailbydomain.com>

Auto manuals search

<http://auto.somanuals.com>

TV manuals search

<http://tv.somanuals.com>