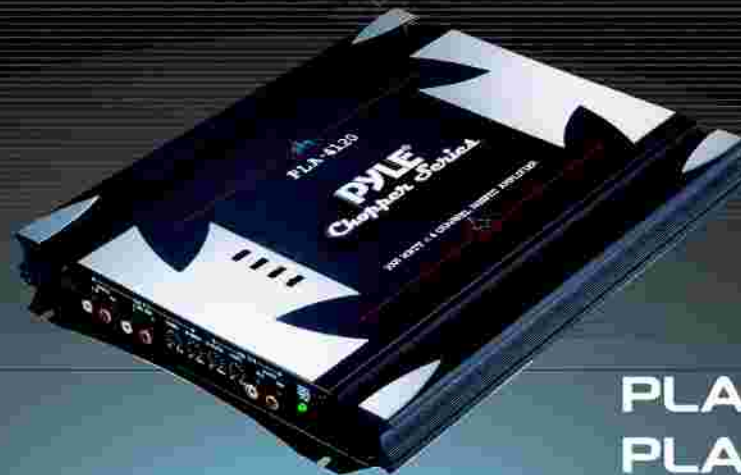


USER'S MANUAL

PYLE®

Chopper Series

HIGH PERFORMANCE CAR AUDIO AMPLIFIER



PLA-1200
PLA-2230
PLA-2260
PLA-4120

PYLE

congratulations...

Chopper Series

on your purchase of a Pyle Chopper Series amplifier.

This amplifier extends the Pyle tradition into a totally new series of amps, designed from the ground up to deliver the power, performance and flexibility the modern car audio enthusiast demands.

When you check the list of features offered by the PLA-1200, PLA-2230, PLA-2260, and PLA-4120 you'll know you made the right choice with a Pyle Chopper amplifier.

PYLE

table of contents

Chopper Series

general features	2-3	2/4 channel input connections	14
features and specifications		PLA-4120	
PLA-1200	4-5	high level input connections	15
PLA-2230/PLA-2260	6-7	PLA-4120	
PLA-4120	8-9	mono input connections	16
electrical connections		PLA-4120	
PLA-1200/2230/2260	10	system wiring speaker connections	17
PLA-4120	11	PLA-2230/PLA-2260	
stereo input connections	12	speaker connections	18-19
PLA-2230/PLA-2260		PLA-4120	
mono input connections	13	system wiring	20
PLA-2230/PLA-2260		PLA-1200	
		mounting and installation	21
		protection circuitry and troubleshooting	22
		precautions	23

PYLE

general features

Chopper Series

PLA-1200

1900W Mono Block MOSFET Amplifier

- Mono Block Subwoofer Amplifier
- 1 Ohm Stable
- MOSFET Power Supply
- PWM (Pulse-Width-Modulation) System
- Glass Epoxy PCB
- Gold Plated RCA Inputs for Line Input & Bypass Output.
- Gold Plated Terminals for Speaker Output and Power Input.
- Thermal, Overload and Short Protection
- Variable Bass Boost
- Variable Sub-sonic Filter (15Hz-40Hz, 24dB/Octave)
- Variable Low-pass Filter (20Hz-250Hz, 24dB/Octave)
- Phase Control 0-180 degree
- Remote Bass Control
- Input Impedance : 10K Ohms
- Soft Turn On/Off
- Advanced Protection Circuitry
- S/N Ratio:>90dB
- Heavy Duty Power Coated Heatsink

PLA-2230

High Performance 3000 Watt 2 Channel
High Power MOSFET Amplifier

- 1500 Watts x 2 Output
- 3000 Watts x 1 Bridged Output
- Variable Hi/Lo Electronic Crossover Network
- Variable Input Level (Gain) Control
- Sub Sonic Filter
- Variable Bass Boost
- Thermal / Overload / Short Circuit Protection
- MOSFET PWM Power Supply
- Power & Protection LED Indicators
- Low Level Inputs
- Gold Plated RCA Inputs & Outputs
- Slim Size Amplifier Design For Easy Installation
- Remote Turn On/Off
- Soft Turn-On Circuit
- Anti-Thump Turn-On
- S/N Ratio:>95dB
- T.H.D:<0.04%
- **FREQ. RESPONSE:15Hz- 30kHz**

PYLE

general features

Chopper Series

PLA-2260

High Performance 4000 Watt 2 Channel
High Power MOSFET Amplifier

- 2000 Watts x 2 Output
- 4000 Watts x 1 Bridged Output
- Variable Hi/Lo Electronic Crossover Network
- Variable Input Level (Gain) Control
- Sub Sonic Filter
- Variable Bass Boost
- Thermal / Overload / Short Circuit Protection
- MOSFET PWM Power Supply
- Power & Protection LED Indicators
- Low Level Inputs
- Gold Plated RCA Inputs & Outputs
- Slim Size Amplifier Design For Easy Installation
- Remote Turn On/Off
- Soft Turn-On Circuit
- Anti-Thump Turn-On
- S/N Ratio:>95dB
- T.H.D:<0.04%
- FREQ. RESPONSE:15Hz- 30kHz

PLA-4120

High Performance 1000 Watt 4 Channel
High Power MOSFET Amplifier

- 250 Watts x 4 Output
- 500 Watts x 2 Bridged Output (250 x 2 + 500W x 1)
- Dual Variable Hi/Lo Electronic Crossover Network
- Dual Switchable Bass Boost
- Dual MOSFET PWM Power Supplies
- Variable Input Level (Gain) Control
- Thermal / Overload / Short Circuit Protection
- Power & Protection LED Indicators
- Low Level Inputs
- Gold Plated RCA Inputs & Outputs
- Slim Size Amplifier Design For Easy Installation
- Remote Turn On/Off
- Soft Turn-On Circuit
- Anti-Thump Turn-On
- Tri-Mode Configurable
- S/N Ratio:>95dB
- T.H.D:<0.04%
- FREQ. RESPONSE:15Hz- 30kHz

PYLE

features and specifications

Chopper Series

MONO BLOCK AMPLIFIER PLA-1200

- power supplies** Stiffly regulated PWM power supplies. MOSFET switches maintain rated power over a wide range of battery voltages.
- sub sonic control** When the sub sonic selector switch is in "ON" mode, this filter control permits continuously variable adjustment from 10 to 100Hz.
- bass boost level control** This control permits adjustment of the bass level up to an increase of approximately up to 18dB.
- crossover low pass filter** Adjustable from 20Hz to 250Hz with a slope of 24dB per octave. This allows for the adjustment of the upper point of the frequency bandwidth and the respective subwoofer.
- high pass subsonic filter** Adjustable from 15Hz to 40Hz with a slope of 24dB per octave. This allows for the attenuation of frequencies that are mostly inaudible and cause unnecessary strain on the amplifier.
- protection circuitry** Protection against thermal, overload and short circuit conditions.
- remote dash-mount gain control** This amplifier come complete with a compact remote GAIN CONTROLLER which can be conveniently mounted on or under the dashboard of your car.

output power @ 14.4v DC, 50Hz	PLA-1200
<i>RMS Power at @ 4 Ohms</i>	<i>200W MONO</i>
<i>RMS Power at @ 2 Ohms</i>	<i>350W MONO</i>
<i>RMS Power at @ 1.3 Ohms</i>	<i>600W MONO</i>
<i>Maximum Power Output</i>	<i>1900W MONO</i>
frequency response	20 Hz-250 Hz (-3dB)
input impedance	10K Ohms
input sensitivity	250mV-4V Adjustable
power supply voltage	14.4V DC Neg. Ground (10.5-16V)
min speaker Impedance	2-4 Ohm
T.H.D	0.1%
S/N ration	>90dB
fuse	20A x 2
dimensions (W x H x L)	
<i>mm</i>	<i>270 x 36 x 305</i>
<i>inches</i>	<i>10.63 x 1.42 x 12</i>

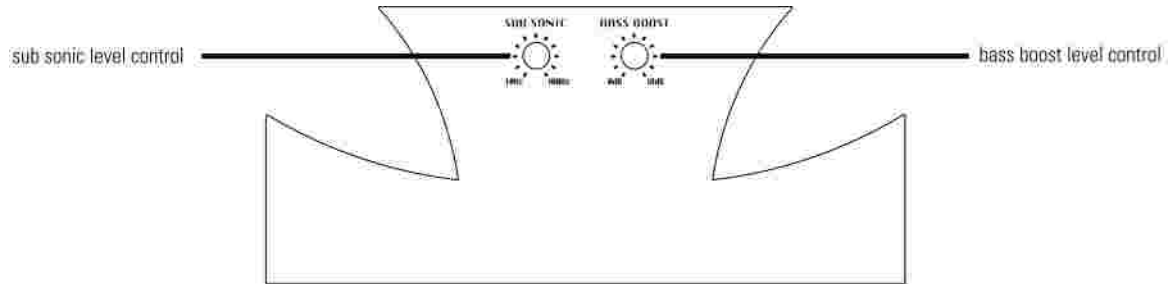
PYLE

Chopper Series

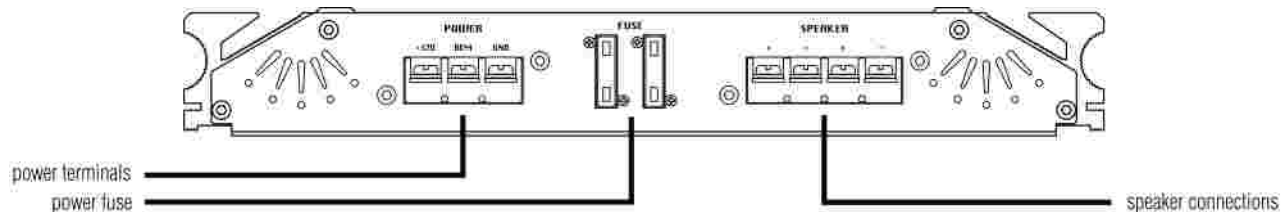
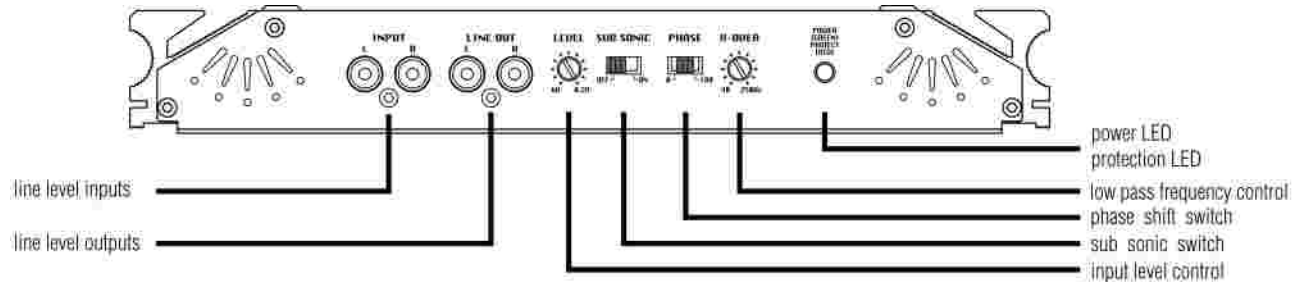
features and controls

MONO BLOCK AMPLIFIER PLA-1200

PLA-1200



5



PLYLE

features and specifications

Chopper Series

2 ch amp PLA-2230 • PLA-2260

crossover mode selector	When used with normal, full range system, set this switch to "FULL" . If you wish to use the internal crossover to power a driver or specific frequency range, use the "LPF" or "HPF" FOR the "LOWPASS" OR HIGHPASS" settings.
input level controls	Enables the matching of input levels to the output levels from head unit (or other signal source). The input sensitivity of adjustment ranges from 6V to 200mV.
crossover frequency control	When crossover mode selector is in HIGHPASS mode, this control sets the lower frequency limit for audio program sent to the speakers. When crossover mode selector is in LOWPASS mode, this control sets the upper frequency limit for audio program sent to the speakers. The crossover is continuously variable adjustment from 40 to 250 Hz.
bass boost level selector	This selector switch permits the bass level an increase of 18dB.
bass boost level control	This control permits adjustment of the bass level up to an increase of approximately up to 18dB.
sub sonic control	When the sub sonic selector switch is in "ON" mode, this filter control permits continuously variable adjustment from 10 to 100Hz.
low level input	This amp features gold-plated RCA type jacks for high impedance input. Use these with car stereo output which uses RCA type connector cables.
high level input	If your car stereo jacks RCA type output, use this adaptor to connect the high-low level input adaptor to connect the speaker output leads of car stereo and the RCA input jacks of amp.
AUX line outputs	This amp features gold-plated RCA jacks for AUX line outputs. Use these outputs. Use these for unlimited system expansion to the next CHOPPER.
power LED	This indicator is illuminated in GREEN when power is applied.
protection LED	This indicator is illuminated in RED when the built-in protection circuitry is activated.
power fuse	The fuse protects the amplifier and your car's electrical system from short circuit conditions.
power terminals	Use these connectors to deliver power, ground, and remote turn-on control to the amplifier.
speaker connectors	These terminals are 14K gold plated to guarantee high conductivity and minimum signal loss.

	PLA-2230	PLA-2260
output power @ 14.4v DC, 1KHz		
RMS Power @ 4 Ohms	200 Watts x 2	300 Watts x 2
THD @ 4 Ohms	00 Watts x 2	00 Watts x 2
RMS Power @ 2 Ohms	00 Watts x 2	00 Watts x 2
THD @ 2 Ohms	00 Watts x 2	00 Watts x 2
Maximum Power Output	1500 Watts x 2	2000 Watts x 2
bridged Power at 4 Output	3000 Watts x 1	4000 Watts x 1
frequency response	15 Hz-30 KHz	
input impedance		
low level inputs	10K Ohms	
input sensitivity		
low level inputs	250mV	
S/N ration	>95dB	
channel separation	>65dB	
crossover filters		
low Pass	40 Hz-250 Hz	
high Pass	40 Hz-250 Hz	
bass boost	0~ +18dB	
matching speaker impedance		
stereo mode	2-4 Ohms	
bridged mode	4-8 Ohms	
maximum current draw	00Ax2	00Ax2
power supply voltage	14.4V DC Neg. Ground (10.5-16V)	
dimensions (W x H x L)		
mm	270 x 36 x 432	270 x 36 x 532
inches	10.63 x 1.42 x 17	10.63 x 1.42 x 21

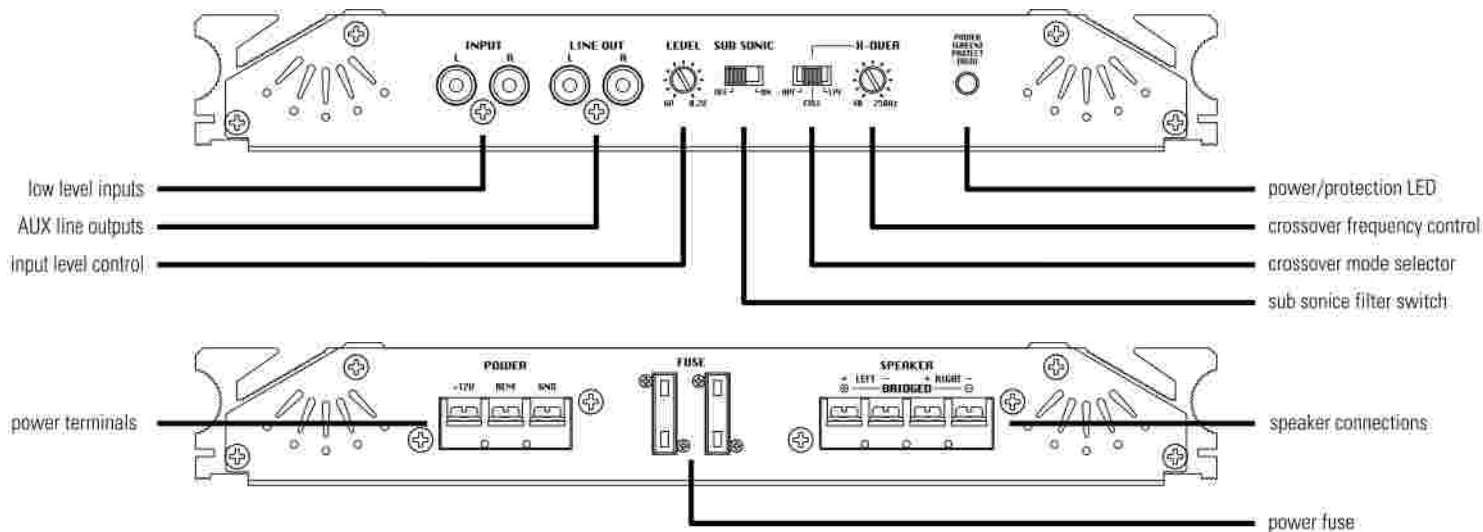
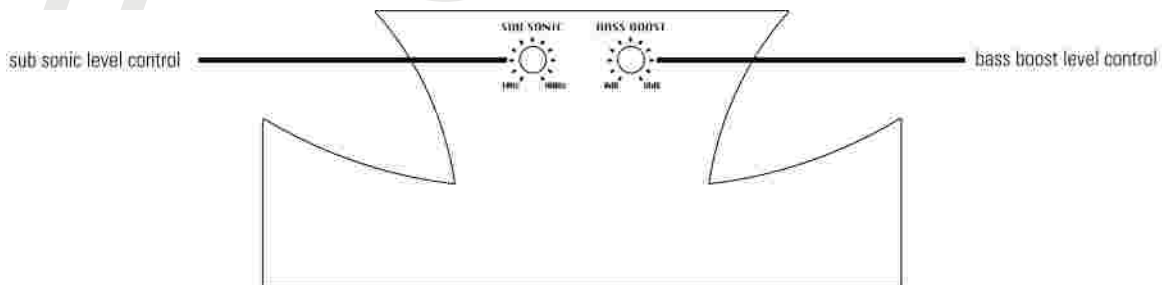
PYLE

Chopper Series

features and controls

2 ch amp PLA-2230 • PLA-2260

PLA-2230
PLA-2260



7

PYLE

features and specifications

Chopper Series

4 ch amp PLA-4120

- crossover mode selector** When used with normal, full range system, set this switch to "FULL". If you wish to use the internal crossover to power a driver or specific frequency range, use the "LPF" or "HPF" FOR the "LOWPASS" OR "HIGHPASS" settings.
- input level controls** Enables the matching of input levels to the output levels from head unit (or other signal source). The input sensitivity of adjustment ranges from 6V to 200mV.
- crossover frequency control** When crossover mode selector is in HIGHPASS mode, this control sets the lower frequency limit for audio program sent to the speakers. When crossover mode selector is in LOWPASS mode, this control sets the upper frequency limit for audio program sent to the speakers. The crossover is continuously variable adjustment from 40 to 250 Hz. This selector switch permits the bass level an increase of 18dB.
- bass boost level selector** This control permits adjustment of the bass level up to an increase of approximately up to 18dB.
- sub sonic control** When the sub sonic selector switch is in "ON" mode, this filter control permits continuously variable adjustment from 10 to 100Hz.
- low level input** This amp features gold-plated RCA type jacks for high impedance input. Use these with car stereo output which uses RCA type connector cables.
- high level input** If your car stereo jacks RCA type output, use this adaptor to connect the high-low level input adaptor to connect the speaker output leads of car stereo and the RCA input jacks of amp.
- AUX line outputs** This amp features gold-plated RCA jacks for AUX line outputs. Use these outputs. Use these for unlimited system expansion to the next CHOPPER.
- power LED** This indicator is illuminated in GREEN when power is applied.
- protection LED** This indicator is illuminated in RED when the built-in protection circuitry is activated.
- power fuse** The fuse protects the amplifier and your car's electrical system from short circuit conditions.
- power terminals** Use these connectors to deliver power, ground, and remote turn-on control to the amplifier.
- speaker connectors** These terminals are 14K gold plated to guarantee high conductivity and minimum signal loss.

output power @ 14.4v DC, 1KHz	<i>PLA-4120</i>
<i>RMS Power @ 4 Ohms</i>	<i>35Watts x 4</i>
<i>THD @ 4 Ohms</i>	<i>00 Watts x 4</i>
<i>RMS Power @ 2 Ohms</i>	<i>00 Watts x 4</i>
<i>THD @ 2 Ohms</i>	<i>00 Watts x 4</i>
<i>Maximum Power Output</i>	<i>250 Watts x 4</i>
<i>bridged Power at 4 Output</i>	<i>500 Watts x 2</i>
frequency response	15 Hz-30 KHz
input impedance	10K Ohms
low level inputs	250mV
input sensitivity	>95dB
low level inputs	>65dB
S/N ration	40 Hz-250 Hz
channel separation	40 Hz-250 Hz
crossover filters	0~ +18dB
low Pass	2-4 Ohms
high Pass	4-8 Ohms
bass boost	20Ax2
matching speaker impedance	14.4V DC Neg. Ground (10.5-16V)
stereo mode	270 x 36 x 330
bridged mode	10.63 x 1.42 x 13
maximum current draw	
power supply voltage	
dimensions (W x H x L)	
mm	
inches	



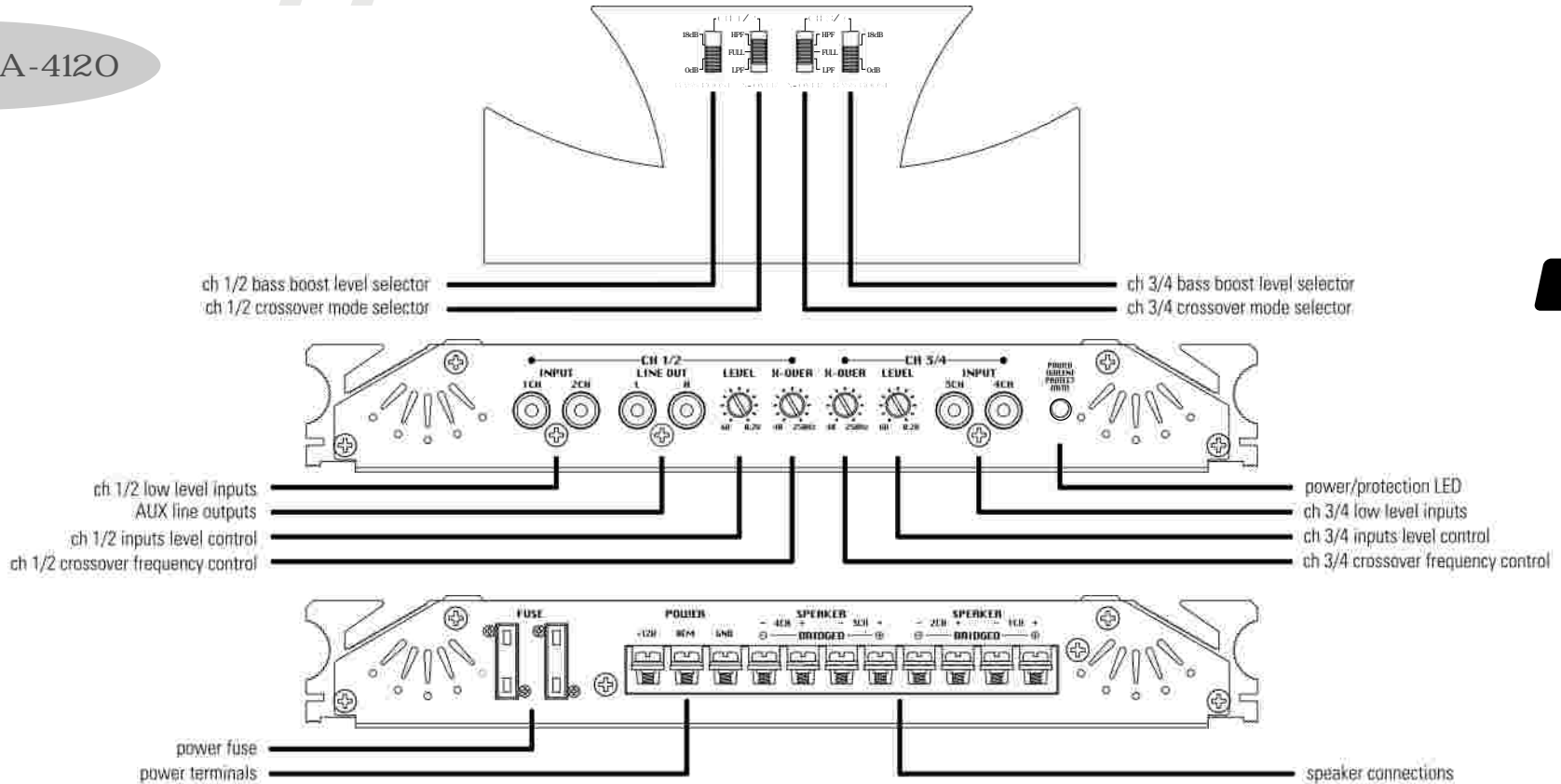
PYLE

Chopper Series

features and controls

4 ch amp PLA-4120

PLA-4120



PYLE

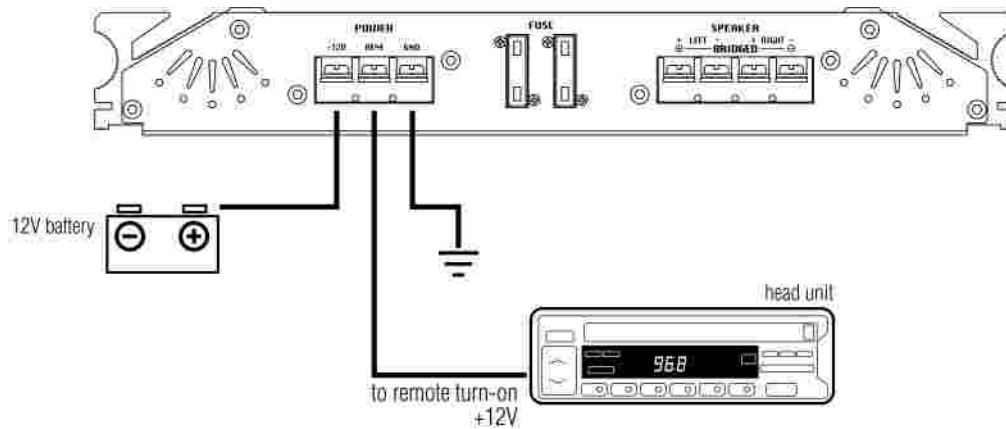
Chopper Series

electrical connections

2 ch amp • PLA-2230 • PLA-2260

PLA-2230

PLA-2260



10

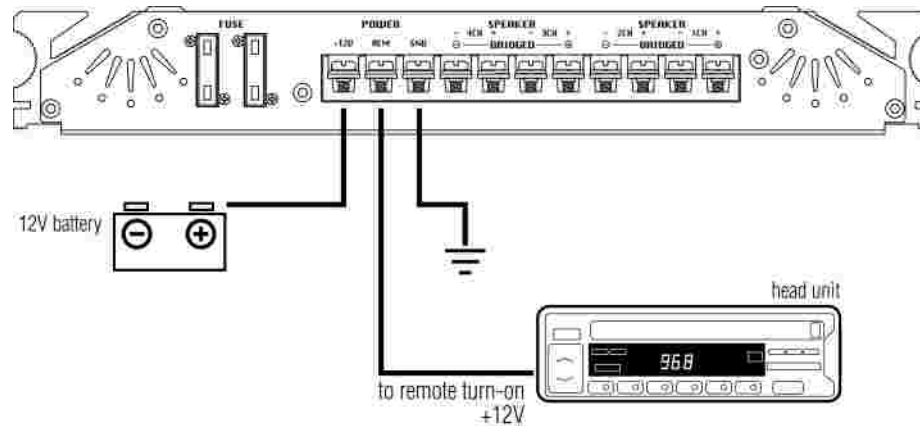
PYLE

Chopper Series

electrical connections

4 ch amp PLA-4120

PLA-4120



11

PYLE

stereo input connections

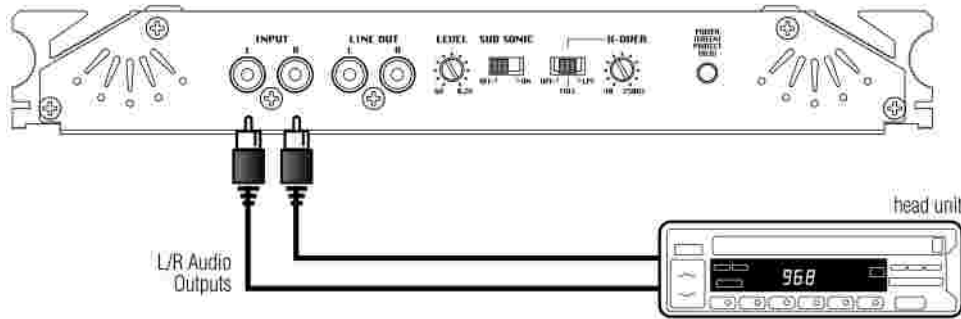
Chopper Series

2 ch amp • PLA-2230 • PLA-2260

PLA-2230

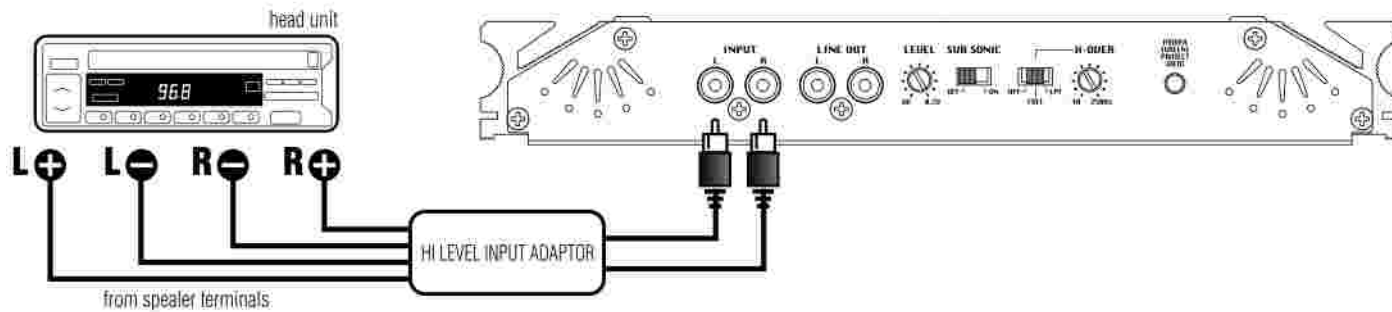
PLA-2260

using low level inputs



12

using high level inputs



PYLE

mono input connections

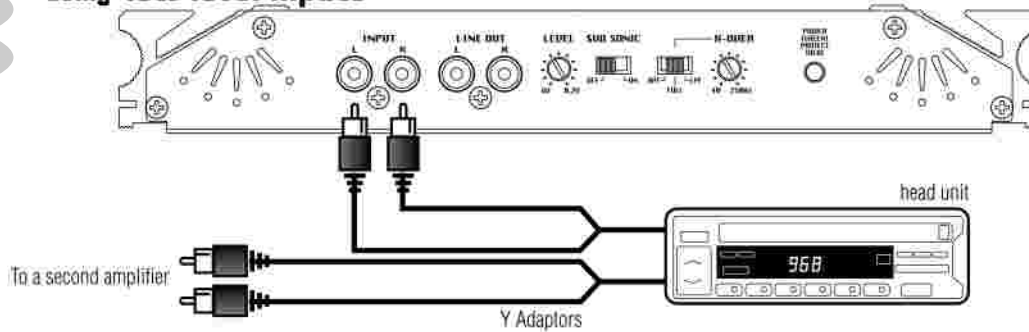
2 ch amp • PLA-2230 • PLA-2260

Chopper Series

PLA-2230

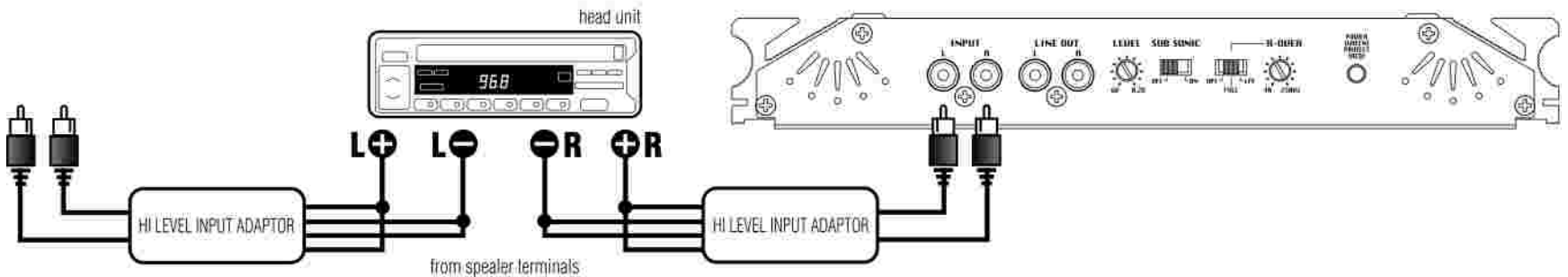
PLA-2260

using low level inputs



13

using high level inputs



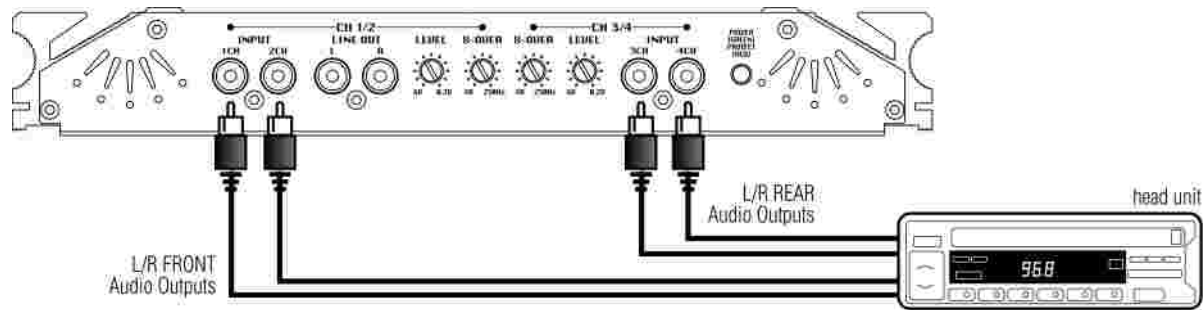
PYLE

2/4 channel input connections

4 ch amp PLA-4120

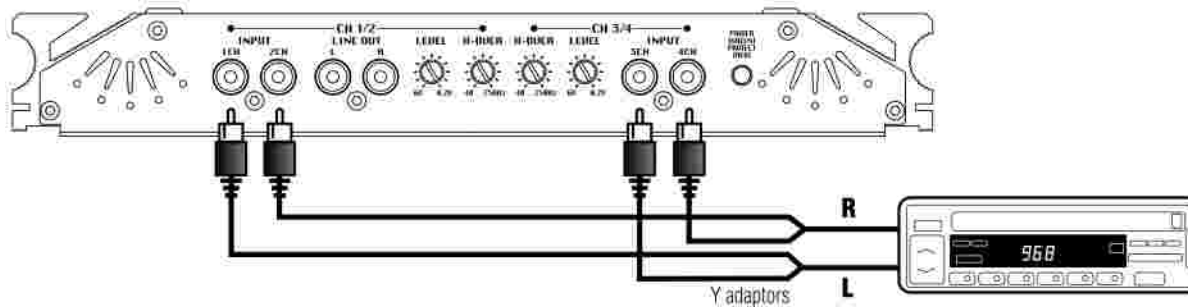
Chopper Series

PLA-4120



14

2 CH input connections using low level inputs



PYLE

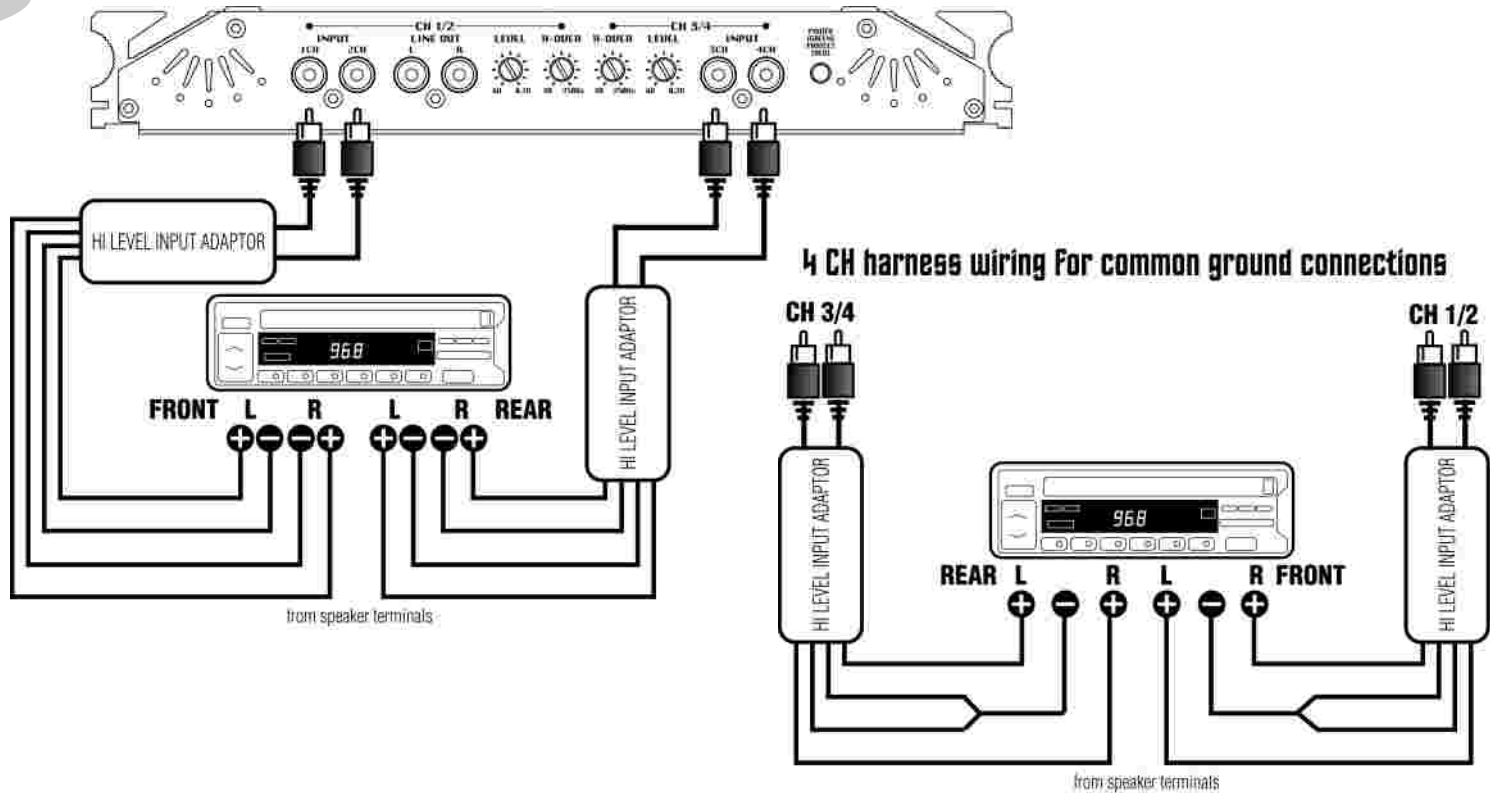
Chopper Series

high level input connections

4 ch amp PLA-4120

PLA-4120

4 CH floating ground connections



15

PYLE

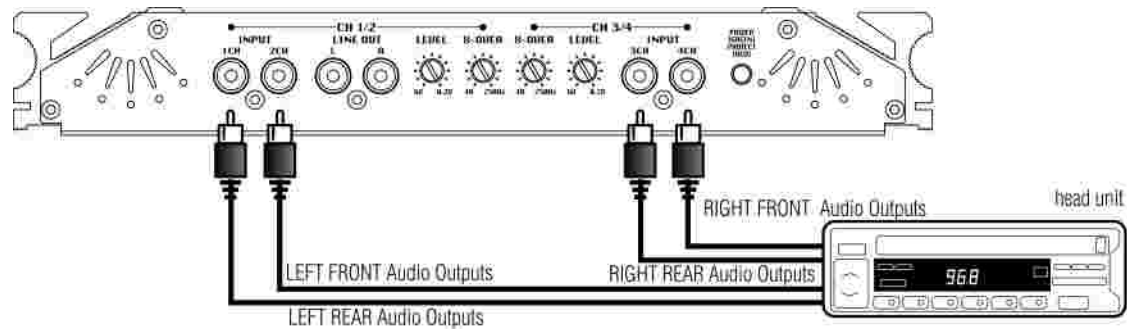
mono input connections

4 ch amp PLA-4120

Chopper Series

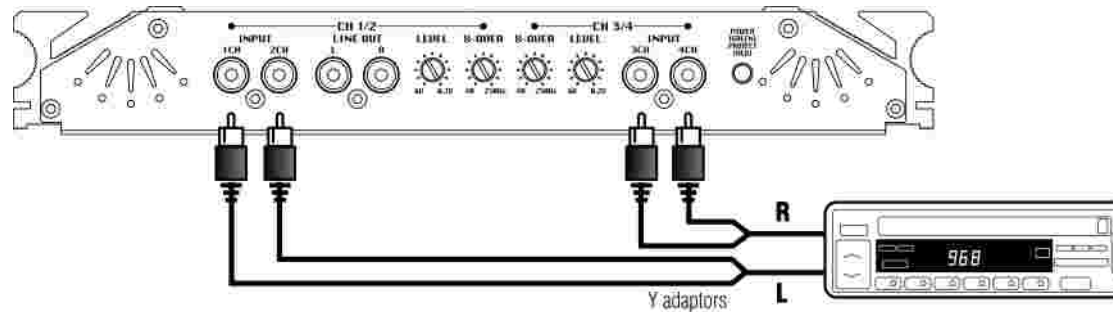
PLA-4120

4 CH mono input connections using low level inputs



16

2 CH mono input connections using low level inputs



PYLE

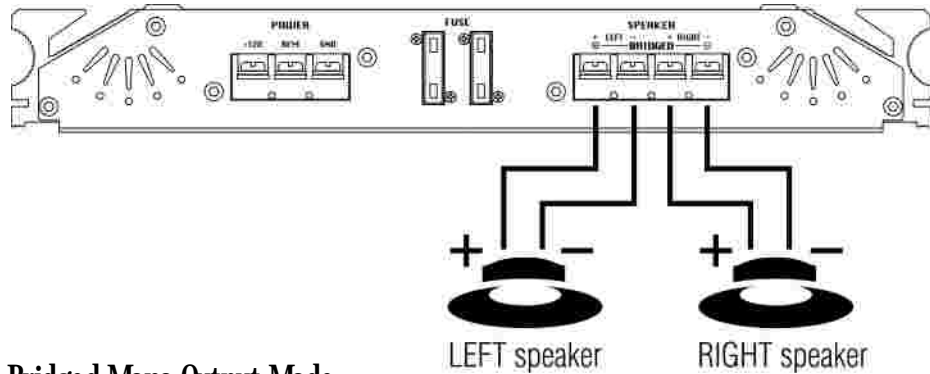
Chopper Series

speaker connections 2 ch amp • PLA-2230 • PLA-2260

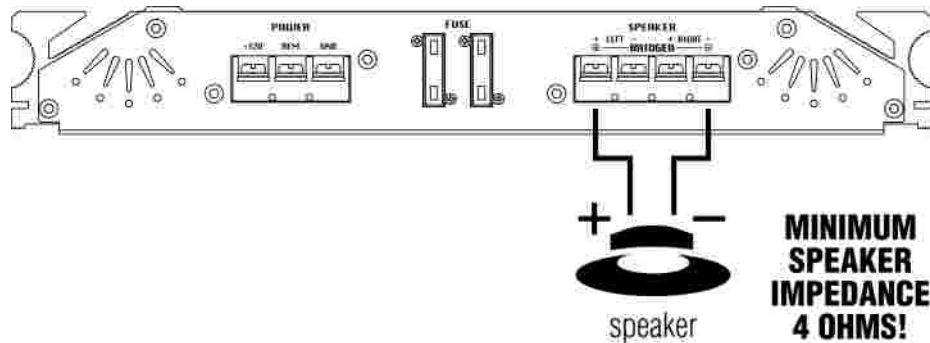
PLA-2230

PLA-2260

Stereo Output Mode



Bridged Mono Output Mode



PYLE

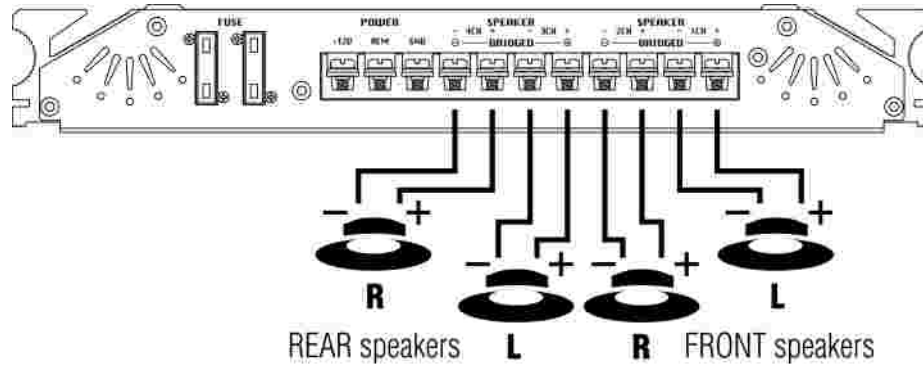
Chopper Series

speaker connections

4 ch amp PLA-4120

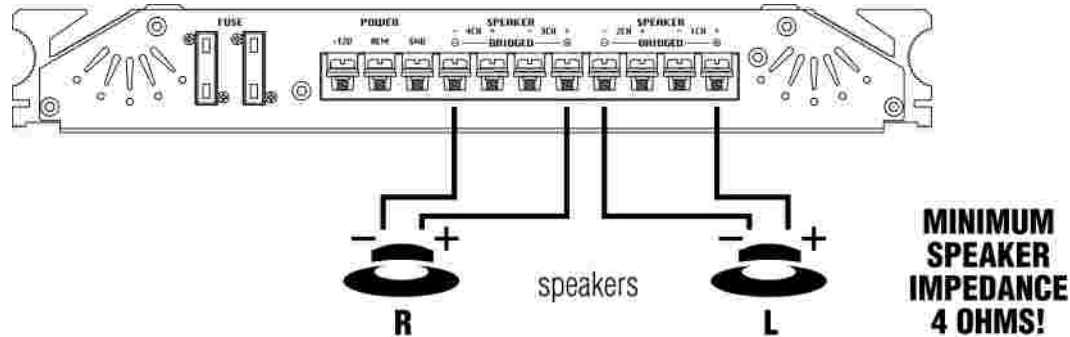
PLA-4120

4 CH Output Mode



18

Bridged Dual Mono Output Mode



PYLE

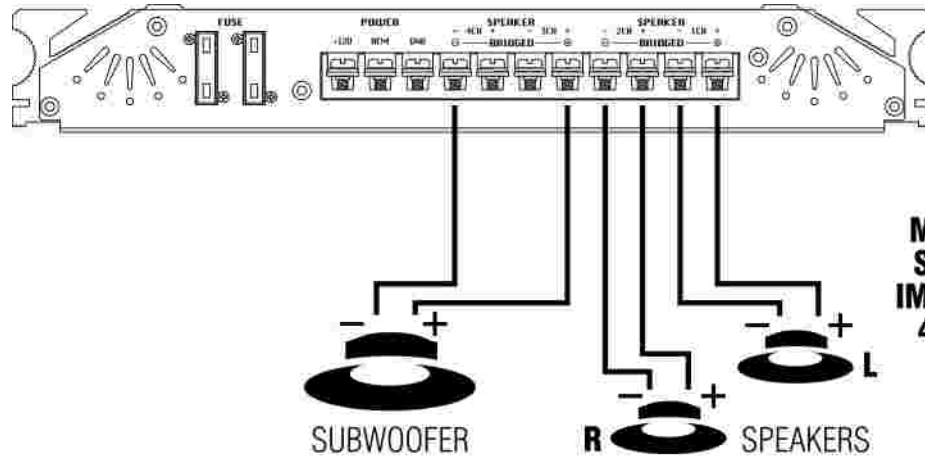
Chopper Series

speaker connections

4 ch amp PLA-4120

PLA-4120

2 CH Stereo Output Mode with Mono Bridged Subwoofer Output



19

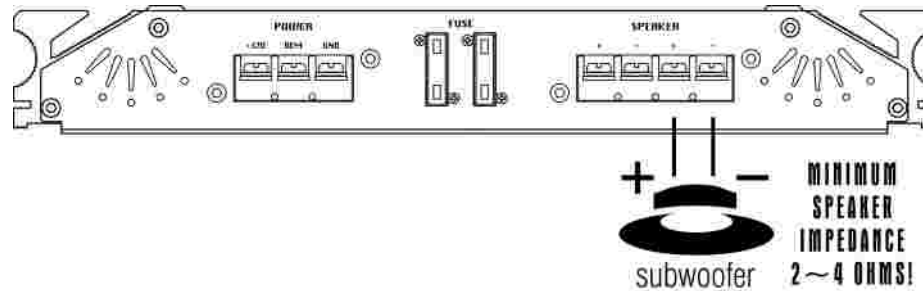
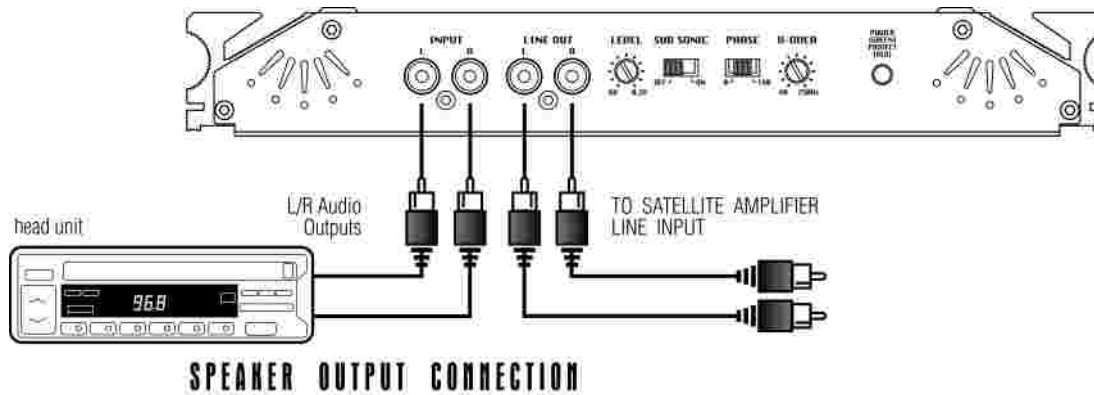
PYLE

Chopper Series

system wiring

MONO BLOCK AMPLIFIER PLA-1200

PLA-1200



PYLE

mounting and installation

Chopper Series mounting

Your new Pyle Chopper Series amplifier comes complete with all required mounting hardware. When determining a suitable location in your vehicle for the amp, please remember that it is a high-power electronic device capable of generating high heat.

For this reason, always choose a location in your vehicle which has low vibration, adequate ventilation, a minimum of dust, and no moisture. Be sure to mount the amp in such a manner as to allow reasonable airflow over the cooling fins.

Mark the location for the mounting screw holes by positioning the amp where you wish to install it and use a scribe (or one of the mounting screws) inserted in each of the mounting holes to mark the mounting surface. If the mounting surface is carpeted, measure the hole centers and mark with a felt tip pen.

Before attempting to drill the mounting holes, take note of any wires, lines or other devices in your vehicle which may be located behind the mounting surface! Then drill pilot holes in the mounting surface for the mounting screws and insert them. Tighten the screws securely.

21

wiring tips

When making electrical connections to your amplifier, please observe the following:

Use at least 8 gauge wire for power and ground connections.

Wire the amplifier directly to the car battery.

For the ground connection, use the shortest possible wire to a good chassis ground point.

Wire the Remote connection to the auto start lead of your head unit, equalizer or power antenna.

fuses

About power fuses:

Pyle Chopper Series amplifiers feature built-in fuse systems. These fuses protect both the amplifier and the electrical system in your vehicle from fault conditions. If you ever need to replace the fuse in your Pyle Chopper Series amp, use a fuse of exactly the same type and rating. A different type or rating of fuse may result in damage or fire.

protection circuitry

The built-in protection circuitry in the Pyle Chopper Series amplifiers will disable the amplifier if it senses an input overload, a speaker short circuit, or extreme temperature conditions.

When the protection circuit is activated by any of these conditions, the Protection LED will be illuminated.

If this occurs, carefully inspect the system to determine the source of the problem.

- If the shutdown was a result of a thermal overload condition, allow the amplifier to cool down before attempting to restart it.
- If the shutdown was a result of an input overload, or speaker short circuit, be sure to correct the condition before restarting.

The amplifier can be restarted by turning the remote power OFF and then ON again.

No output.

Confirm that all terminal strip connections are secure and tight.

Check both in-line and built-in fuses. Both the +12V and the Remote terminals must have +12v referenced to chassis ground.

Confirm that the audio signal source (car radio, equalizer, etc.) is connected and is supplying output signal. To check if the amp is supplying signal, unplug the cables from the signal source (but leave them plugged into the amp). Briefly tap the center pin of each of the disconnected RCA plugs with your finger. This should produce a noise (feedback) in your speakers.

Only one channel works.

Confirm that all terminal strip connections are secure and tight.

Check the Balance control on the head unit (or other source) to verify that it is set to its midpoint.

If you are using the Low Level RCA input, reverse the input plugs at the amplifier (i.e., switch the L with the R). If the channels which is silent switches to the other side, the problem is either in the head unit/other source or the connecting cables.

Weak output.

Readjust the Input Level Control(s) to better suit the input signal.

Noise in the audio.

If the noise is a "whine" whose pitch follows the engine speed, confirm that the amplifier and any other signal sources (head unit, etc.) are properly grounded.

If the noise is a "clicking" or "popping" noise whose rate follows the engine speed, this usually means that the vehicle is equipped with resistor spark plugs and wires, or that the ignition is in need of service.

Check the routing of the speaker and input wires to make sure they are not adjacent to wires which interconnect lights and other accessories.

If the above steps fail to improve or clear noise interference, the system should be checked by a professional mobile audio installer.

PYLE

Chopper Series

precautions

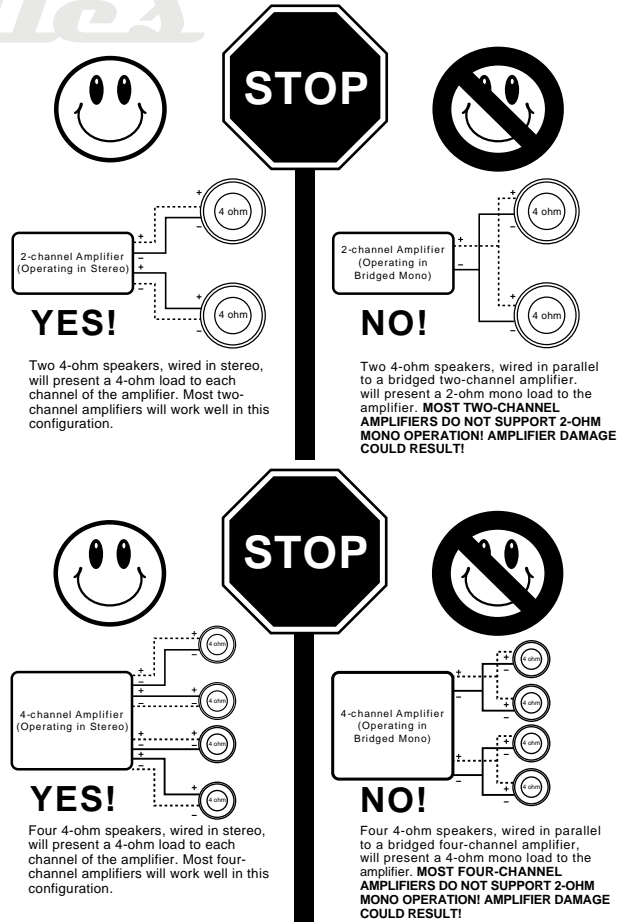
Do not operate the amplifier when it is unmounted. Attach all audio system components securely within the automobile to prevent damage, especially in an accident.

Do not mount this amplifier so that the wire connections are unprotected, or in a pinched condition, or likely to be damaged by nearby objects.

Before making or breaking power connections in your system, disconnect the vehicle battery. Confirm that your head unit or other equipment is turned off while connecting the input jacks and speaker terminals.

If you need to replace the power fuse, do so only with a fuse identical to that supplied with the amplifier. Using a fuse of a different type or rating may result in damage that isn't covered in the manufacturer's warranty.

notes



PLYLE

limited warranty policy *Chopper Series* amplifiers

All Pyle products are carefully constructed and thoroughly tested before shipment. Products purchased in the USA are warranted to be free of defects in material and workmanship for two (2) years from the date of purchase. This warranty is limited to the original retail purchase.

Should the product fail due to factory defects in material or workmanship, your unit will be repaired or replaced at the sole discretion of Pyle.

To obtain warranty service you must first call our Consumer Return Hotline number at (718) 236-6948 to obtain a Return Authorization number. This R.A.# must appear on the outside of your package and on all paperwork relating to your return.

When returning a product to us for warranty service it must be carefully packed and shipped prepaid to:

R.A.# _____
Pyle Service Center
1600 63rd Street
Brooklyn, NY 11204

You must also include the following items:

- A copy of your sales receipt or other proof of purchase
- A brief letter indicating the problem you are experiencing
- include in your letter your return address, daytime phone number, and R.A. number
- also include a check or money order for \$18.00 for return shipping, handling, and insurance, or provide your Visa/MC number with expiration date.

Our obligation under this warranty is limited to the repair or replacement of the defective unit when it is returned to us prepaid. This warranty will be considered void if the unit was tampered with, improperly serviced, or subject to misuse, neglect, or accidental damage.

www.pyleaudio.com

Free Manuals Download Website

<http://myh66.com>

<http://usermanuals.us>

<http://www.somanuals.com>

<http://www.4manuals.cc>

<http://www.manual-lib.com>

<http://www.404manual.com>

<http://www.luxmanual.com>

<http://aubethermostatmanual.com>

Golf course search by state

<http://golfingnear.com>

Email search by domain

<http://emailbydomain.com>

Auto manuals search

<http://auto.somanuals.com>

TV manuals search

<http://tv.somanuals.com>