

user's manual

PYLFE *blue* wave

high performance car audio amplifier

PLA-2140	PLA-2740
PLA-2240	PLA-2840
PLA-2340	PLA-4140
PLA-2440	PLA-4240
PLA-2540	PLA-4340
PLA-2640	PLA-4100D

PYLE congratulations... *blue wave*

on your purchase of a Pyle Blue Wave Series amplifier. This amplifier extends the Pyle tradition into a totally new series of amps, designed from the ground up to deliver the power, performance and flexibility the modern car audio enthusiast demands.

When you check the list of features offered by the PLA-2140, PLA-2240, PLA-2340, PLA-2440, PLA-2540, PLA-2640, PLA-2740, PLA-2840, PLA-4140, PLA-4240, PLA-4340, PLA-4100D you'll know you made the right choice with a Pyle Power amplifier.

PYLE *blue* table of contents *wave*

general features	2-5	2/4 channel input connections	18
features and specifications		PLA-4140/PLA-4240/PLA-4340	
PLA-2140/PLA-2240/PLA-2340	6-9	high level input connections	19
PLA-2440/PLA-2540/PLA-2640		PLA-4140/PLA-4240/PLA-4340	
PLA-2740/PLA-2840		mono input connections	20
PLA-4140/PLA-4240/PLA-4340	10-11	PLA-4140/PLA-4240/PLA-4340	
PLA-4100D	12-13	high level mono input connections	21
electrical connections	14-15	PLA-4140/PLA-4240/PLA-4340	
PLA-2140/PLA-2240		system wiring	22
PLA-2340/PLA-2440/PLA-2540		PLA-4100D	
PLA-2640/PLA-2740/PLA-2840		speaker connections	23
PLA-4140/PLA-4240/PLA-4340		PLA-2140/PLA-2240/PLA-2340	
PLA-4100D		PLA-2440/PLA-2540/PLA-2640	
stereo input connections	16	PLA-2740/PLA-2840	
PLA-2140/PLA-2240/PLA-2340		speaker connections	24-25
PLA-2440/PLA-2540/PLA-2640		PLA-4140	
PLA-2740/PLA-2840		PLA-4240/PLA-4340	
mono input connections	17	mounting and installation	26
PLA-2140/PLA-2240/PLA-2340		protection circuitry and troubleshooting	27
PLA-2440/PLA-2540/PLA-2640		precautions	28
PLA-2740/PLA-2840			

PYLE

blue wave

general features

PLA-2140

High Performance 600 Watt 2 Channel
Bridgeable MOSFET Amplifier

- 300 Watts x 2 Output
- 600 Watts x 1 Bridged Output
- Variable Hi/Lo Electronic Crossover Network
- Variable Bass Boost (0 - +18 dB @ 60Hz)
- Variable Input Level (Gain) Control
- Remote Turn On/Off
- Gold Plated RCA Inputs
- High Level MOLEX Input
- Power ON LED Indicator
- LED Protection Indicator
- Remote Bass Boost
- S/N Ratio: > 95 dB
- THD: <0.04%
- Thermal Protection
- Overload Protection
- Short Circuit Protection
- Anti-Thump Turn-On

PLA-2240

High Performance 800 Watt 2 Channel
Bridgeable MOSFET Amplifier

- 400 Watts x 2 Output
- 800W x 1 Bridged Output
- Variable Hi/Lo Electronic Crossover Network
- Variable Bass Boost (0 - +18 dB @ 60Hz)
- Variable Input Level (Gain) Control
- Remote Turn On/Off
- Gold Plated RCA Inputs
- High Level MOLEX Inputs
- Power ON LED Indicator
- LED Protection Indicator
- Remote Bass Boost
- S/N Ratio: > 95 dB
- THD: <0.04%
- Thermal Protection
- Overload Protection
- Short Circuit Protection
- Anti-Thump Turn-On

PLA-2340

High Performance 1000 Watt 2 Channel
Bridgeable MOSFET Amplifier

- 500 Watts x 2 Output
- 1000W x 1 Bridged Output
- Variable Hi/Lo Electronic Crossover Network
- Variable Bass Boost (0 - +18 dB @ 60Hz)
- Variable Input Level (Gain) Control
- Remote Turn On/Off
- Gold Plated RCA Inputs
- High Level MOLEX Inputs
- Power ON LED Indicator
- LED Protection Indicator
- Remote Bass Boost
- S/N Ratio: > 95 dB
- THD: <0.04%
- Thermal Protection
- Overload Protection
- Short Circuit Protection
- Anti-Thump Turn-On

PYLE

blue wave

general features

PLA-2440

High Performance 1200 Watt 2 Channel
Bridgeable MOSFET Amplifier

- 600 Watts x 2 Output
- 1200W x 1 Bridged Output
- Variable Hi/Lo Electronic Crossover Network
- Variable Bass Boost (0 - +18 dB @ 60Hz)
- Variable Input Level (Gain) Control
- Remote Turn On/Off
- Gold Plated RCA Inputs
- High Level MOLEX Inputs
- Power ON LED Indicator
- LED Protection Indicator
- Remote Bass Boost
- S/N Ratio: > 95 dB
- THD: <0.04%
- Thermal Protection
- Overload Protection
- Short Circuit Protection
- Anti-Thump Turn-On

PLA-2540

High Performance 1600 Watt 2 Channel
Bridgeable MOSFET Amplifier

- 800 Watts x 2 Output
- 1600 Watts x 1 Bridged Output
- Variable Hi/Lo Electronic Crossover Network
- Variable Bass Boost (0 - +18 dB @ 60Hz)
- Variable Input Level (Gain) Control
- Remote Turn On/Off
- Gold Plated RCA Inputs
- High Level MOLEX Input
- Power ON LED Indicator
- LED Protection Indicator
- Remote Bass Boost
- S/N Ratio: > 95 dB
- THD: <0.04%
- Thermal Protection
- Overload Protection
- Short Circuit Protection
- Anti-Thump Turn-On

PLA-2640

High Performance 2000 Watt 2 Channel
Bridgeable MOSFET Amplifier

- 1000 Watts x 2 Output
- 2000 Watts x 1 Bridged Output
- Variable Hi/Lo Electronic Crossover Network
- Variable Bass Boost (0 - +18 dB @ 60Hz)
- Variable Input Level (Gain) Control
- Remote Turn On/Off
- Gold Plated RCA Inputs
- High Level MOLEX Input
- Power ON LED Indicator
- LED Protection Indicator
- Remote Bass Boost
- S/N Ratio: > 95 dB
- THD: <0.04%
- Thermal Protection
- Overload Protection
- Short Circuit Protection
- Anti-Thump Turn-On

PYLE

general features

blue wave

PLA-2740

High Performance 2400 Watt 2 Channel
Bridgeable MOSFET Amplifier

- 1200 Watts x 2 Output
- 2400 Watts x 1 Bridged Output
- Variable Hi/L.o Electronic Crossover Network
- Variable Bass Boost (0 - +18 dB @ 60Hz)
- Variable Input Level (Gain) Control
- Remote Turn On/Off
- Gold Plated RCA Inputs
- High Level MOLEX Input
- Power ON LED Indicator
- LED Protection Indicator
- Remote Bass Boost
- S/N Ratio: > 95 dB
- THD: <0.04%
- Thermal Protection
- Overload Protection
- Short Circuit Protection
- Anti-Thump Turn-On

PLA-2840

High Performance 4000 Watt 2 Channel
Bridgeable MOSFET Amplifier

- 2000 Watts x 2 Output
- 4000 Watts x 1 Bridged Output
- Variable Hi/L.o Electronic Crossover Network
- Variable Bass Boost (0 - +18 dB @ 60Hz)
- Variable Input Level (Gain) Control
- Remote Turn On/Off
- Gold Plated RCA Inputs
- High Level MOLEX Input
- Power ON LED Indicator
- LED Protection Indicator
- Remote Bass Boost
- S/N Ratio: > 95 dB
- THD: <0.04%
- Thermal Protection
- Overload Protection
- Short Circuit Protection
- Anti-Thump Turn-On

PLA-4140

High Performance 1000 Watt 4 Channel
Bridgeable MOSFET Amplifier

- 250 Watts x 4 Output
- 500 Watts x 2 Bridged Output (250Wx2+500Wx1)
- Dual Variable Hi/L.o Electronic Crossover Network
- Dual Variable Bass Boost (0 - +18 dB @ 60Hz)
- Variable Input Level (Gain) Control
- Remote Turn On/Off
- Gold Plated RCA Inputs
- High Level MOLEX Input
- Power ON LED Indicator
- LED Protection Indicator
- Remote Bass Boost
- S/N Ratio: > 95 dB
- THD: <0.04%
- Thermal Protection
- Overload Protection
- Short Circuit Protection
- Anti-Thump Turn-On
- Tri-Mode Configurable

PYLE

blue wave

general features

PLA-4240

High Performance 1400 Watt 4 Channel
Bridgeable MOSFET Amplifier

- 350 Watts x 4 Output
- 700 Watts x 2 Bridged Output (350Wx2+700Wx1)
- Dual Variable Hi/Lo Electronic Crossover Network
- Dual Variable Bass Boost (0 - +18 dB @ 60Hz)
- Variable Input Level (Gain) Control
- Remote Turn On/Off
- Gold Plated RCA Inputs
- High Level MOLEX Input
- Power ON LED Indicator
- LED Protection Indicator
- Remote Bass Boost
- S/N Ratio: > 95 dB
- THD: <0.04%
- Thermal Protection
- Overload Protection
- Short Circuit Protection
- Anti-Thump Turn-On
- Tri-Mode Configurable

PLA-4340

High Performance 2000 Watt 4 Channel
Bridgeable MOSFET Amplifier

- 500 Watts x 4 Output
- 1000W x 2 Bridged Output (500W x 2+1000W x 1)
- Dual Variable Hi/Lo Electronic Crossover Network
- Dual Variable Bass Boost (0 - +18 dB @ 60Hz)
- Variable Input Level (Gain) Control
- Remote Turn On/Off
- Gold Plated RCA Inputs
- High Level MOLEX Inputs
- Power ON LED Indicator
- LED Protection Indicator
- Remote Bass Boost
- S/N Ratio: > 95 dB
- THD: <0.04%
- Thermal Protection
- Overload Protection
- Short Circuit Protection
- Anti-Thump Turn-On
- Tri-Mode Configurable

PLA-4100D

2000W Mono Block MOSFET Amplifier

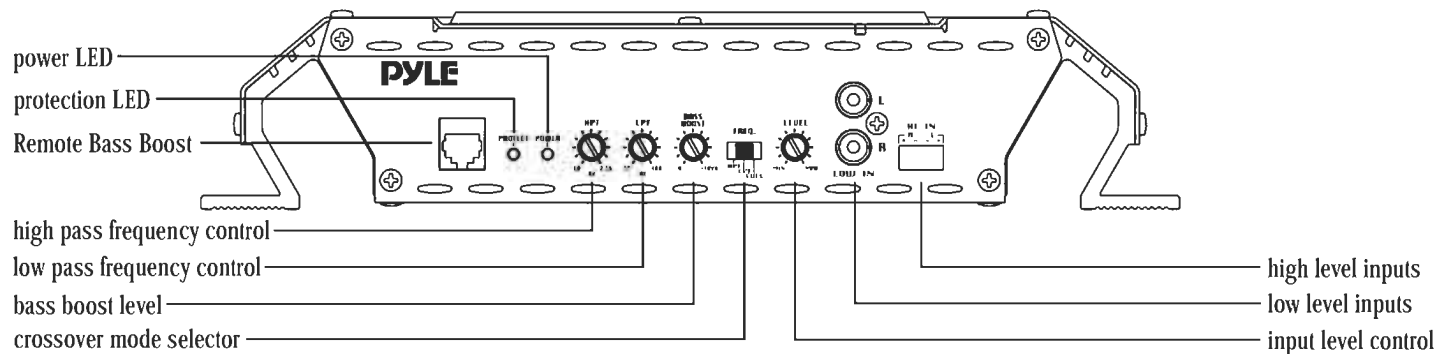
- Mono Block Subwoofer Amplifier
- 1 Ohm Stable
- MOSFET Power Supply
- PWM (Pulse-Width-Modulation) System
- Glass Epoxy PCB
- Gold Plated RCA Inputs for Line Input & Bypass Output.
- Gold Plated Terminals for Speaker Output and Power Input.
- Thermal, Overload and Short Protection
- Variable Sub-sonic Filter (15Hz-40Hz, 24dB/Octave)
- Variable Low-pass Filter (20Hz-250Hz, 24dB/Octave)
- Phase Control 0-180 degree
- Remote Bass Control
- Input Impedance : 10K Ohms
- Soft Turn On/Off
- Advanced Protection Circuitry
- S/N Ratio:>90dB
- Heavy Duty Power Coated Heatsink

PYLE blue

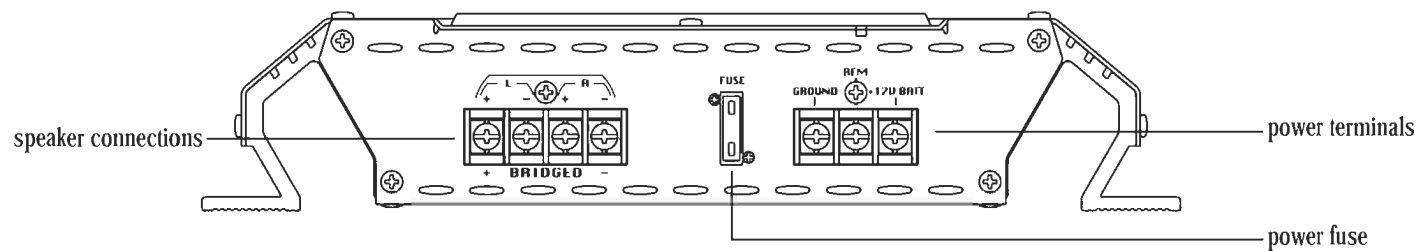
features and controls

2 ch amp PLA-2140 • PLA-2240
PLA-2340 • PLA-2440

- PLA-2140
- PLA-2240
- PLA-2340
- PLA-2440



6



PYLE *blue* features and specifications

2 ch amp PLA-2140 • PLA-2240 PLA-2340 • PLA-2440

- crossover mode selector** when used with normal, full range systems, set this switch to "FULL." If you wish to use the internal crossover to power a driver of specific frequency range, use the "LOWPASS" or "HIGHPASS" settings.
- input level control** use this control to match the outputs of your head unit to the amplifier. Starting with your head unit set at about the 2 o'clock position, increase the amp level control until distortion begins to occur, and reduce slightly from this point.
- low pass frequency control** when the crossover selector switch is in "low pass" mode, this control sets the upper frequency limit for audio program sent to the speakers.
- high pass frequency control** when the crossover selector switch is in "high pass" mode, this control sets the lower frequency limit for audio program sent to the speakers.
- Remote Bass Boost** Plug in the Remote Bass Boost Control wire in here.
- bass boost level control** this control permits adjustment of the bass level up to an increase of approximately 18 dB.
- low level inputs** this amp features gold-plated RCA input jacks for high impedance input. Use these with car stereo output which uses RCA-type connector cables.
- high level inputs** if your car stereo lacks RCA-type output jacks, you may connect speaker output leads to these input connectors.
- power LED** this indicator is illuminated when power is applied.
- protection LED** this indicator is illuminated when built-in protection circuitry is activated.
- power fuse** the fuse protects the amplifier and your car's electrical system from short circuit conditions.
- power terminals** use these connectors to deliver power, ground and remote turn-on control to the amplifier.
- speaker connections** these terminals are 14K gold plated to guarantee high conductivity and minimum signal loss.

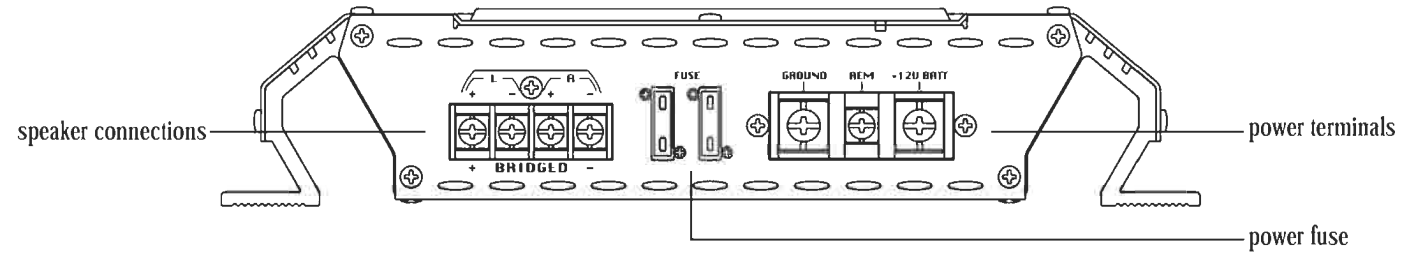
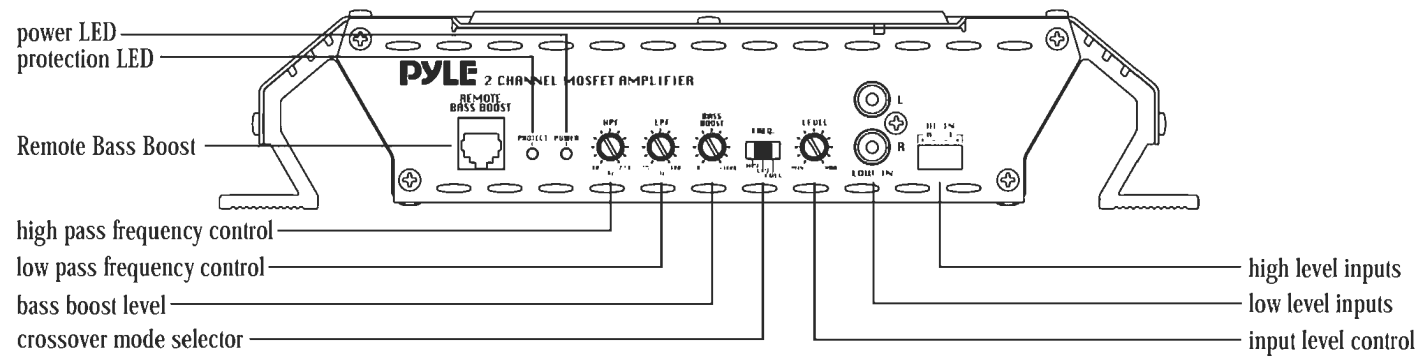
output power @ 14.4v DC, 1KHz	PLA-2140	PLA-2240	PLA-2340	PLA-2440
RMS Power @ 4 Ohms	40 Watts x 2	50 Watts x 2	75 Watts x 2	100 Watts x 2
RMS Power @ 2 Ohms	60 Watts x 2	100 Watts x 2	125 Watts x 2	175 Watts x 2
Maximum Power Output	300 Watts x 2	400 Watts x 2	500 Watts x 2	600 Watts x 2
frequency response	15 Hz-30 KHz			
input impedance				
low level inputs	10K Ohms			
high level inputs	100 Ohms			
input sensitivity				
low level inputs	250mV			
high level inputs	2.5V			
power supply voltage	14.4V DC Neg. Ground (10.5-16V)			
matching speaker impedance				
stereo mode	2-4 Ohms			
bridged mode	4-8 Ohms			
maximum current draw	15A	15A	20A	30A
dimensions (W x H x L)				
mm	288 x 56.5 x 209	288 x 56.5 x 235	288 x 56.5 x 305	288 x 56.5 x 343
inches	11.34 x 2.24 x 8.25	11.34 x 2.24 x 9.25	11.34 x 2.24 x 12	11.34 x 2.24 x 13.5

PYLE blue

features and controls

2 ch amp PLA-2540 • PLA-2640
PLA-2740 • PLA-2840

- PLA-2540
- PLA-2640
- PLA-2740
- PLA-2840



PYLE *blue* wave features and specifications

2 ch amp PLA-2540 • PLA-2640 PLA-2740 • PLA-2840

- crossover mode selectors** when used with normal, full range systems, set these switches to "FULL." If you wish to use the internal crossovers to power a driver of specific frequency range, use the "LOWPASS" or "HIGHPASS" settings.
- input level controls** use these controls to match the outputs of your head unit to the amplifier. Starting with your head unit set at about the 2 o'clock position, increase the amp level controls until distortion begins to occur, and reduce slightly from this point.
- low pass frequency controls** when one or both of the crossover selector switches is in "low pass" mode, one can set the upper frequency limit for audio program sent to the speakers.
- high pass frequency controls** when the one or both of crossover selector switch is in "high pass" mode, one can set the lower frequency limit for audio program sent to the speakers.
- Remote Bass Boost** Plug in the Remote Bass Boost Control wire in here.
- bass boost level controls** this control permits adjustment of the bass level up to an increase of approximately 18 dB in either or both pairs of channels.
- low level inputs** this amp features gold-plated RCA input jacks for high impedance input. Use these with car stereo output which uses RCA-type connector cables.
- high level inputs** if your car stereo lacks RCA-type output jacks, you may connect speaker output leads to these input connectors.
- power LED** this indicator is illuminated when power is applied.
- protection LED** this indicator is illuminated when built-in protection circuitry is activated.
- power fuse** the fuse protects the amplifier and your car's electrical system from short circuit conditions.
- power terminals** use these connectors to deliver power, ground and remote turn-on control to the amplifier.
- speaker connections** these terminals are 14K gold plated to guarantee high conductivity and minimum signal loss.

output power @ 14.4v DC, 1KHz	PLA-2540	PLA-2640	PLA-2740	PLA-2840
RMS Power @ 4 Ohms	125 Watts x 2	150 Watts x 2	200 Watts x 2	300 Watts x 2
RMS Power @ 2 Ohms	200 Watts x 2	225 Watts x 2	290 Watts x 2	450 Watts x 2
Maximum Power Output	800 Watts x 2	1000 Watts x 2	1200 Watts x 2	2000 Watts x 2
frequency response	_____ 15 Hz-30 KHz _____			
input impedance	_____			
low level inputs	_____ 10K Ohms _____	_____		
high level inputs	_____ 100 Ohms _____	_____		
input sensitivity	_____			
low level inputs	_____ 250mV _____	_____		
high level inputs	_____ 2.5V _____	_____		
power supply voltage	_____ 14.4V DC Neg. Ground (10.5-16V) _____			
matching speaker impedance	_____			
stereo mode	_____ 2-4 Ohms _____	_____		
bridged mode	_____ 4-8 Ohms _____	_____		
maximum current draw	30 A	20 A x 2	25 A x 2	35 A x 2
dimensions (W x H x L)	_____			
mm	288 x 56.5 x 381	288 x 56.5 x 432	288 x 56.5 x 482	288 x 56.5 x 532
inches	11.34 x 2.24 x 15	11.34 x 2.24 x 17	11.34 x 2.24 x 19	11.34 x 2.24 x 21

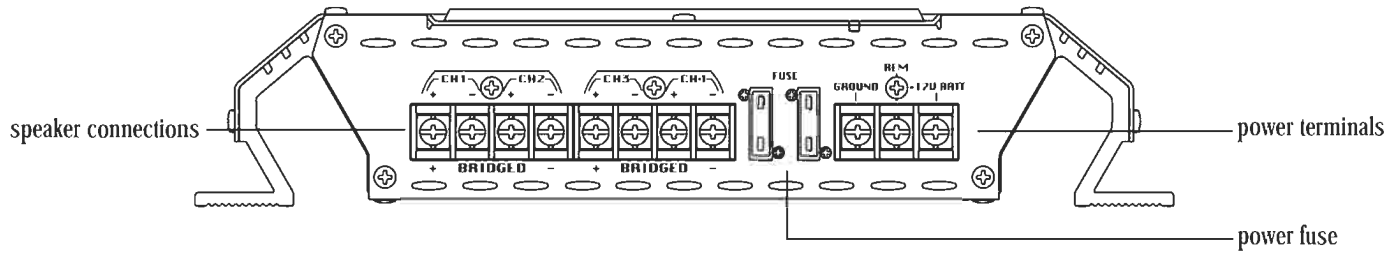
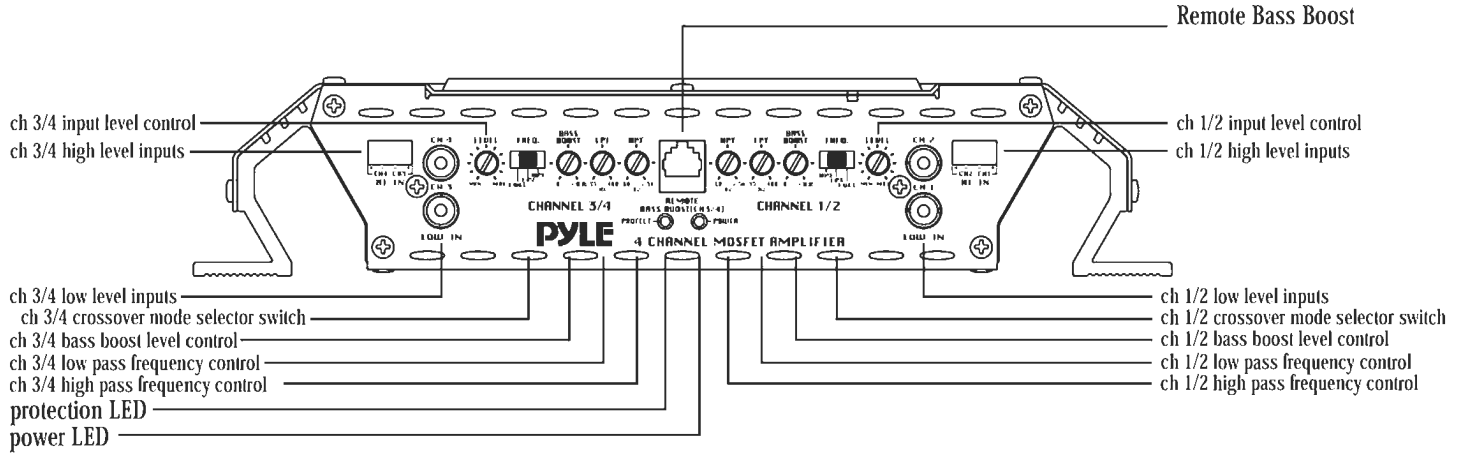
PYLE

blue wave

features and controls

4 ch amp PLA-4140 • PLA-4240 • PLA-4340

PLA-4140
 PLA-4240
 PLA-4340



PYLON features and specifications

blue wave

4 ch amp PLA-4140 • PLA-4240 • PLA-4340

- dual crossover mode selectors** when used with normal, full range systems, set these switches to "FULL." If you wish to use the internal crossovers to power a driver of specific frequency range, use the "LOWPASS" or "HIGHPASS" settings.
- dual input level controls** use these controls to match the outputs of your head unit to the amplifier. Starting with your head unit set at about the 2 o'clock position, increase the amp level controls until distortion begins to occur, and reduce slightly from this point.
- dual low pass frequency controls** when one or both of the crossover selector switches is in "low pass" mode, one can set the upper frequency limit for audio program sent to the speakers.
- dual high pass frequency controls** when the one or both of crossover selector switch is in "high pass" mode, one can set the lower frequency limit for audio program sent to the speakers.
- CH 3/4 Remote Bass Boost** Plug in the Remote Bass Boost Control wire in here.
- dual bass boost level controls** this control permits adjustment of the bass level up to an increase of approximately 18 dB in either or both pairs of channels.
- low level inputs** this amp features gold-plated RCA input jacks for high impedance input. Use these with car stereo output which uses RCA-type connector cables.
- high level inputs** if your car stereo lacks RCA-type output jacks, you may connect speaker output leads to these input connectors.
- power LED** this indicator is illuminated when power is applied.
- protection LED** this indicator is illuminated when built-in protection circuitry is activated.
- power fuse** the fuse protects the amplifier and your car's electrical system from short circuit conditions.
- power terminals** use these connectors to deliver power, ground and remote turn-on control to the amplifier.
- speaker connections** these terminals are 14K gold plated to guarantee high conductivity and minimum signal loss.

output power @ 14.4v DC, 1KHz	PLA-4140	PLA-4240	PLA-4340
<i>RMS Power @ 4 Ohms</i>	35 Watts x 4	50 Watts x 4	75 Watts x 4
<i>RMS Power @ 2 Ohms</i>	55 Watts x 4	75 Watts x 4	115 Watts x 4
<i>Maximum Power Output</i>	250 Watts x 4	350 Watts x 4	500 Watts x 4
frequency response	_____ 15 Hz-30 KHz _____		
input impedance	_____		
<i>low level inputs</i>	_____ 10K Ohms _____	_____	
<i>high level inputs</i>	_____ 100 Ohms _____	_____	
input sensitivity	_____		
<i>low level inputs</i>	_____ 250mV _____	_____	
<i>high level inputs</i>	_____ 2.5V _____	_____	
power supply voltage	_____ 14.4V DC Neg. Ground (10.5-16V) _____		
matching speaker impedance	_____		
<i>stereo mode</i>	_____ 2-4 Ohms _____	_____	
<i>bridged mode</i>	_____ 4-8 Ohms _____	_____	
maximum current draw	20 A	30 A	20 A x 2
dimensions (W x H x L)	_____		
<i>mm</i>	288 x 56.5 x 305	288 x 56.5 x 381	288 x 56.5 x 432
<i>inches</i>	11.34 x 2.24 x 12	11.34 x 2.24 x 15	11.34 x 2.24 x 17

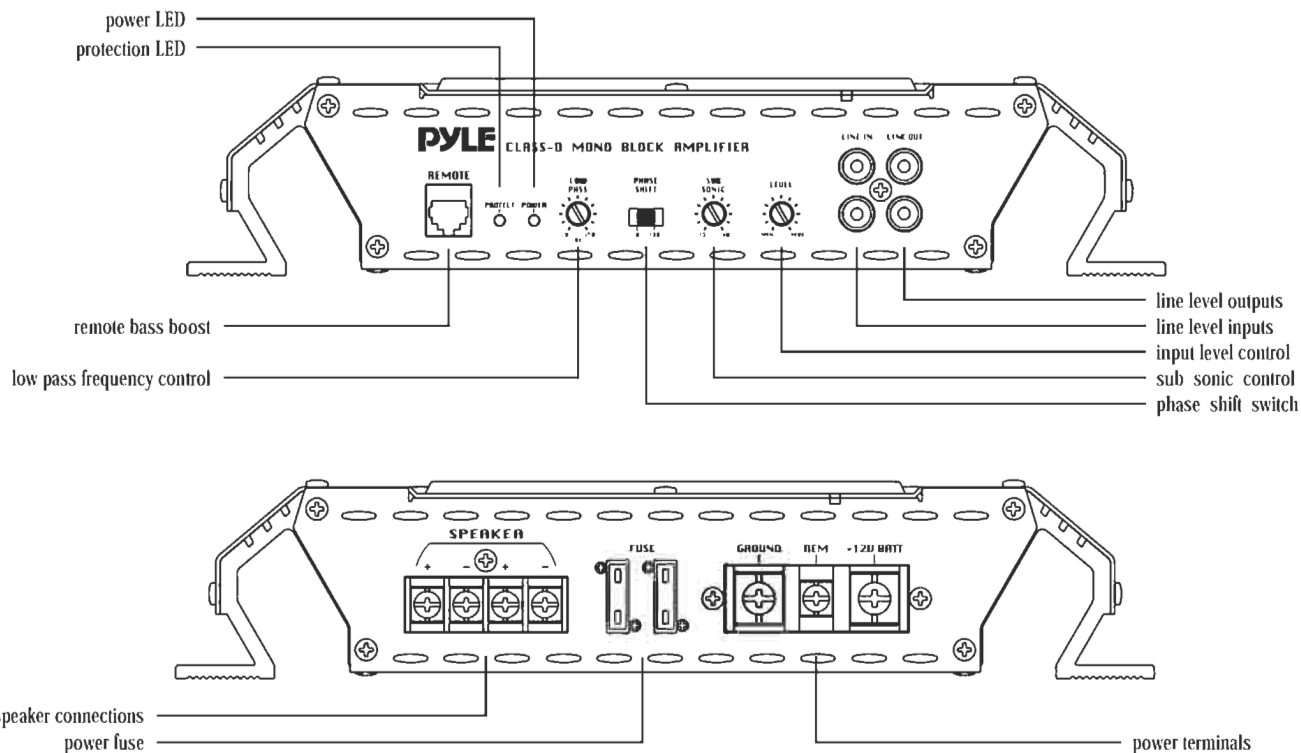
PYLE

blue waves

features and controls

Class-D MONO BLOCK AMPLIFIER PLA-4100D

PLA-4100D



12

PYLE

features and specifications

Class-D MONO BLOCK AMPLIFIER PLA-4100D

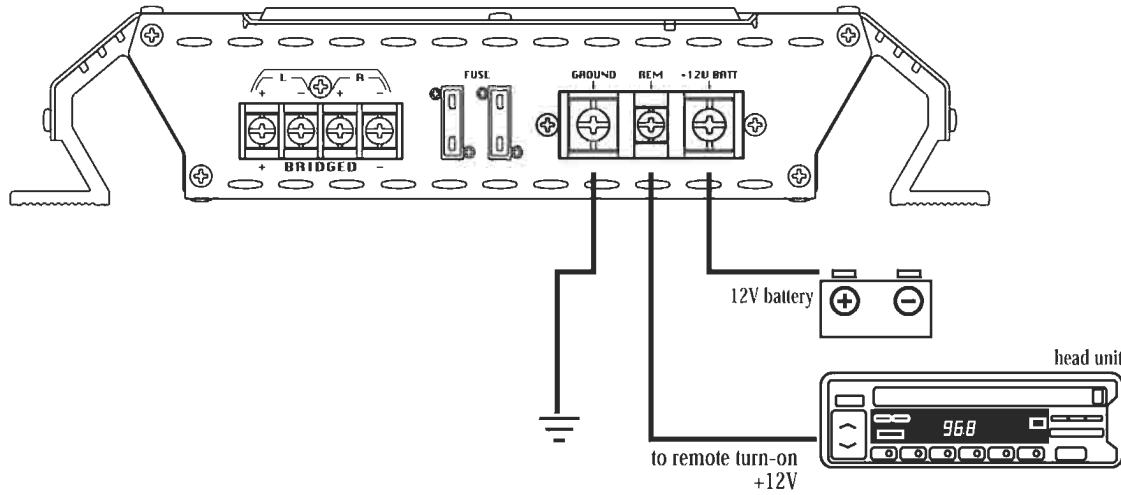
Class-D design	Low-frequency information for subwoofer only.High efficient power
power supplies	Stiffly regulated PWM power supplies. MOSFET switches maintain rated power over a wide range of battery voltages.
crossover low pass filter	Adjustable from 20Hz to 250Hz with a slope of 24dB per octave.This allows for the adjustment of the upper point of the frequency bandwidth and the respective subwoofer.
high pass subsonic filter	Adjustable from 15Hz to 40Hz with a slope of 24dB per octave.This allows for the attenuation of frequencies that are mostly inaudible and cause unnecessary strain on the amplifier.
protection circuitry	Protection against thermal, overload and short circuit conditions.
remote dash-mount gain control	This amplifier come complete with a compact remote GAIN CONTROLLER which can be conveniently mounted on or under the dashboard of your car.

output power @ 14.4v DC, 50Hz	<i>PLA-4100D</i>
<i>RMS Power at @ 4 Ohms</i>	<i>200W MONO</i>
<i>RMS Power at @ 2 Ohms</i>	<i>350W MONO</i>
<i>RMS Power at @ 1.3 Ohms</i>	<i>600W MONO</i>
<i>Maximum Power Output</i>	<i>2000W MONO</i>
frequency response	20 Hz-250 Hz (-3dB)
input impedance	10K Ohms
input sensitivity	250mV-4V Adjustable
power supply voltage	14.4V DC Neg. Ground (10.5-16V)
min speaker Impedance	2-4 Ohm
T.H.D	0.1%
S/N ration	>90dB
fuse	20A x 2
dimensions (W x H x L)	
<i>mm</i>	<i>288 x 56.5 x 305</i>
<i>inches</i>	<i>11.34 x 2.24 x 305</i>

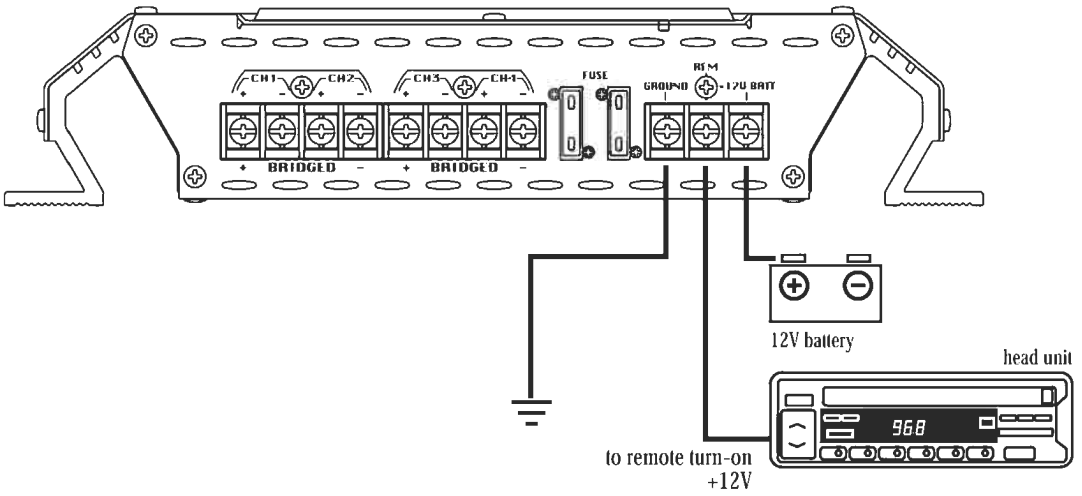
electrical connections

2 ch amp PLA-2140 • PLA-2240 • PLA-2340
PLA-2440 • PLA-2540 • PLA-2640
PLA-2740 • PLA-2840 • PLA-4100D

- PLA-2140
- PLA-2240
- PLA-2340
- PLA-2440
- PLA-2540
- PLA-2640
- PLA-2740
- PLA-2840
- PLA-4100D



PLA-4140
PLA-4240
PLA-4340



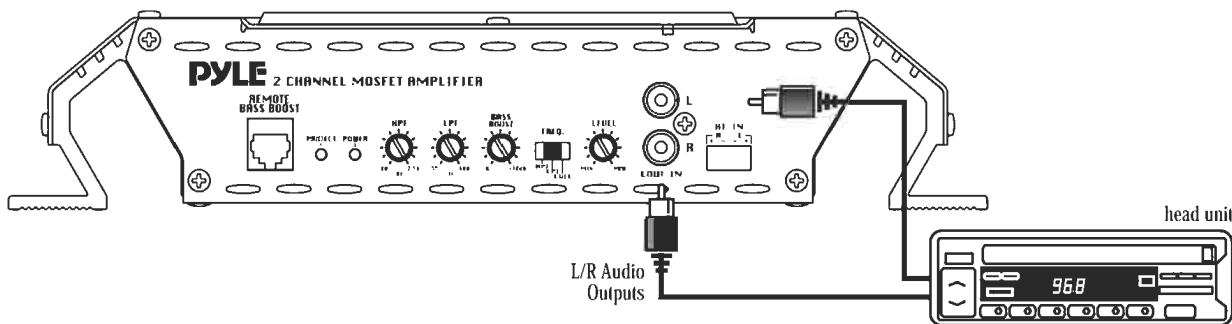
PYLE

stereo input connections

2 ch amp • PLA-2140 • PLA-2240 • PLA-2340
PLA-2440 • PLA-2540 • PLA-2640
PLA-2740 • PLA-2840

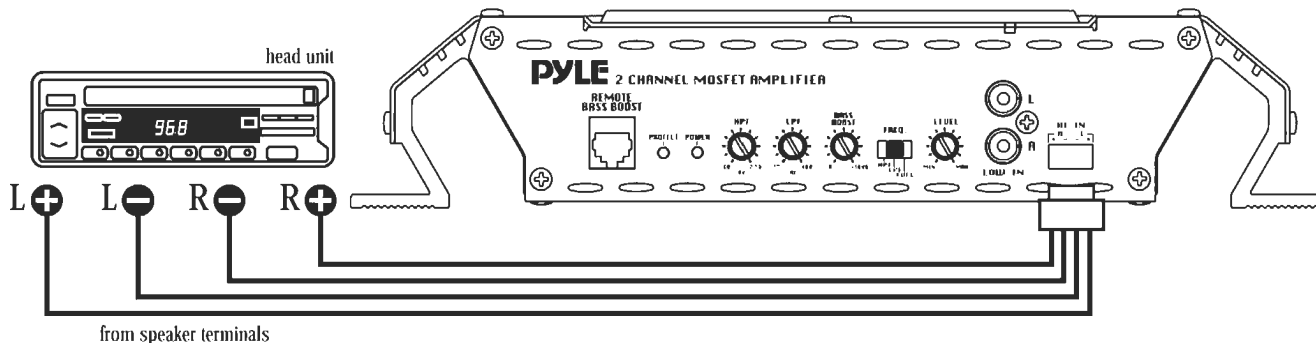
using low level inputs

PLA-2140
PLA-2240
PLA-2340
PLA-2440
PLA-2540
PLA-2640
PLA-2740
PLA-2840



16

using high level inputs



PLEASE NOTE! If using high level inputs, do not use the low level RCA inputs at the same time!

PYLE

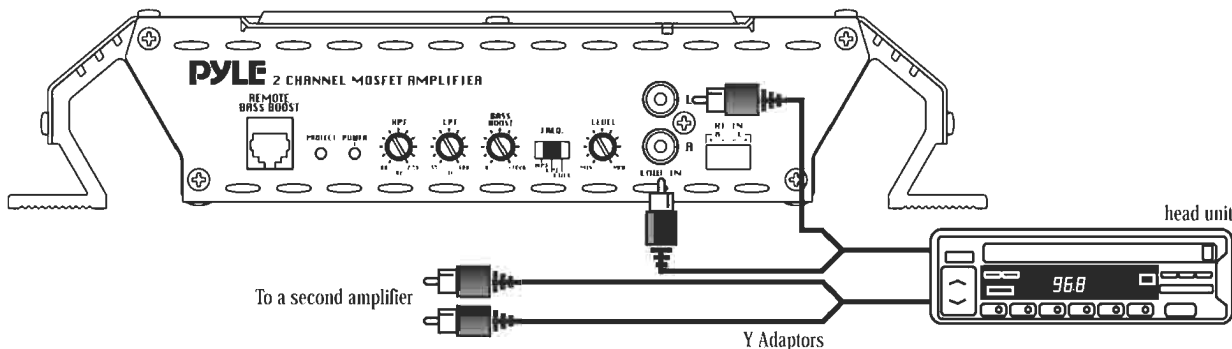
blue waves

mono input connections

2 ch amp • PLA-2140 • PLA-2240 • PLA-2340
 PLA-2440 • PLA-2540 • PLA-2640
 PLA-2740 • PLA-2840

using low level inputs

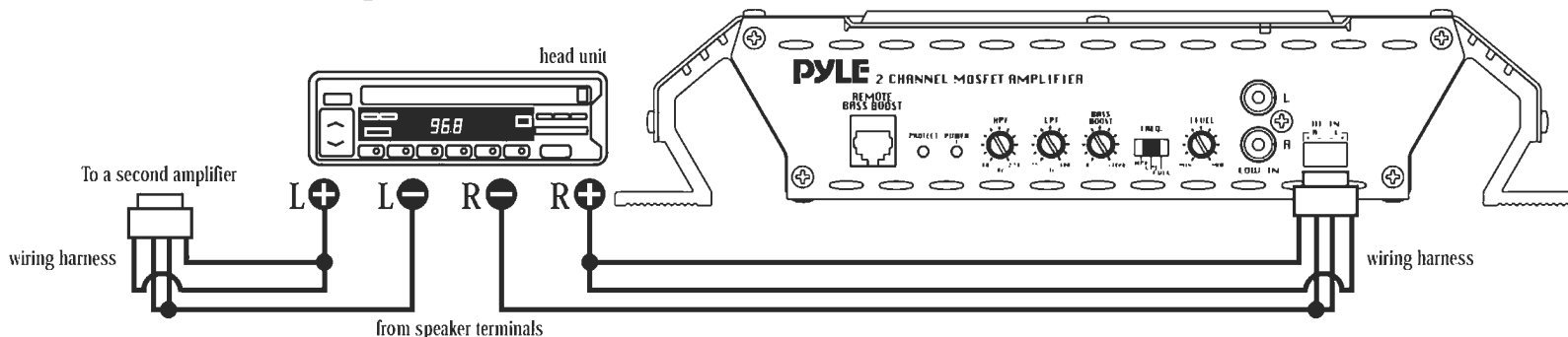
- PLA-2140
- PLA-2240
- PLA-2340
- PLA-2440
- PLA-2540
- PLA-2640
- PLA-2740
- PLA-2840



17

PLEASE NOTE! If using high level inputs, do not use the low level RCA inputs at the same time!

using high level inputs



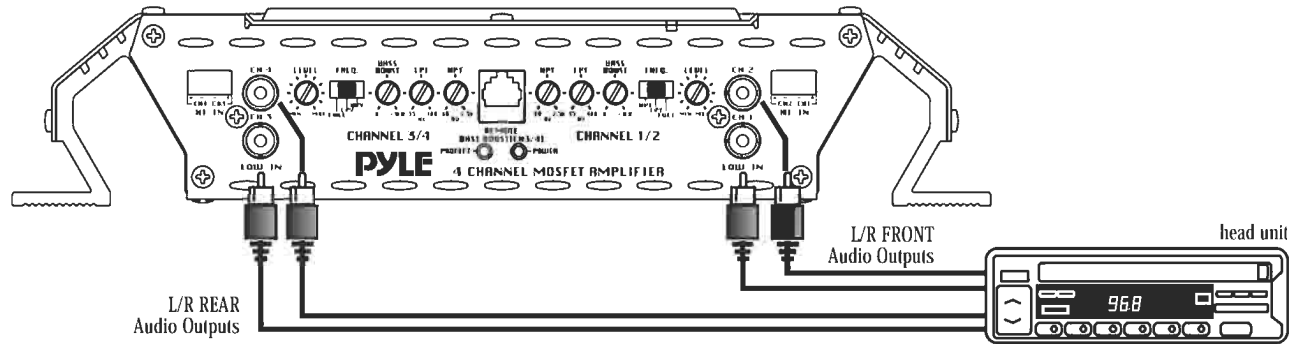
PYLE

Stereo input connections

4 ch amp PLA-4140 • PLA-4240 • PLA-4340

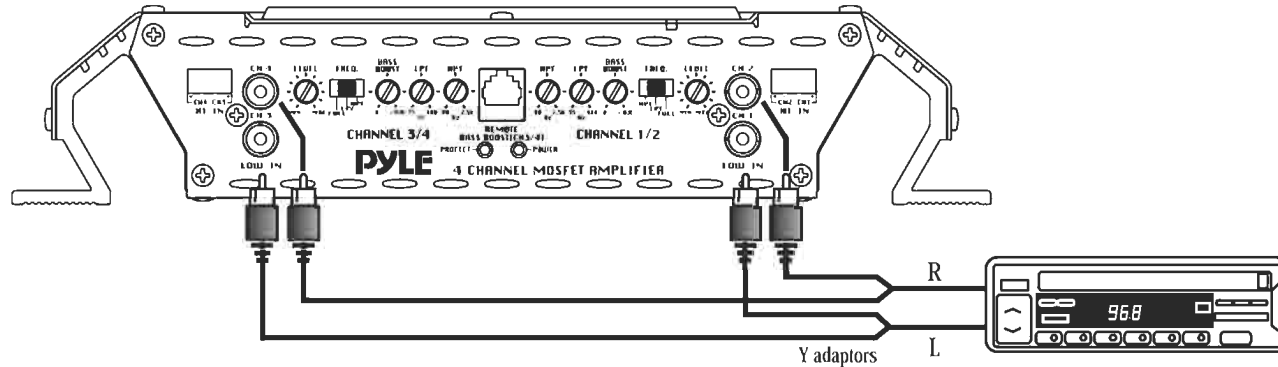
4 CH Stereo input connections using low level inputs

PLA-4140
 PLA-4240
 PLA-4340



18

2 CH Stereo input connections using low level inputs



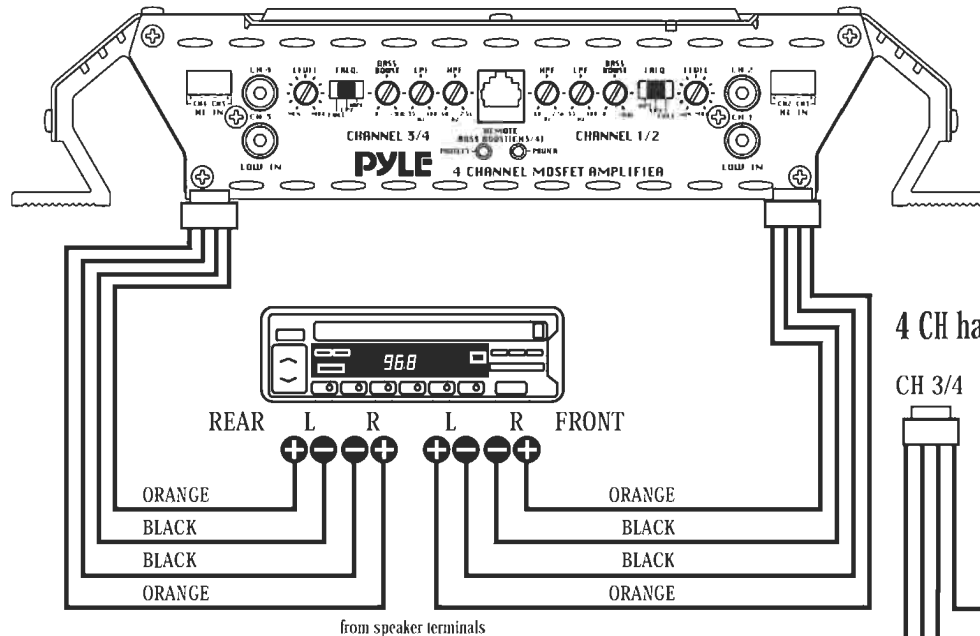
PYLE

high level Stereo input connections

4 ch amp PLA-4140 • PLA-4240 • PLA-4340

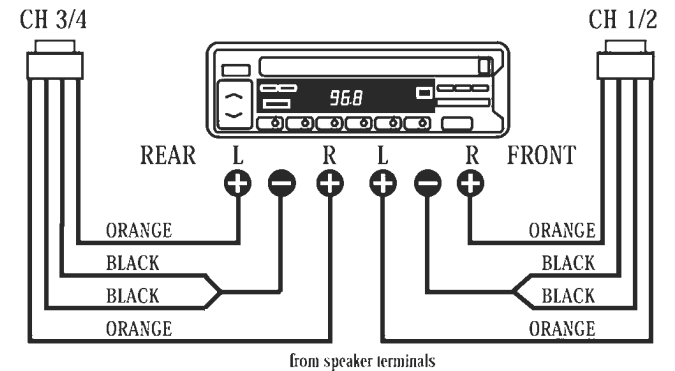
4 CH floating ground connections

PLA-4140
 PLA-4240
 PLA-4340



PLEASE NOTE! If using high level inputs, do not use the low level RCA inputs at the same time!

4 CH harness wiring for common ground connections



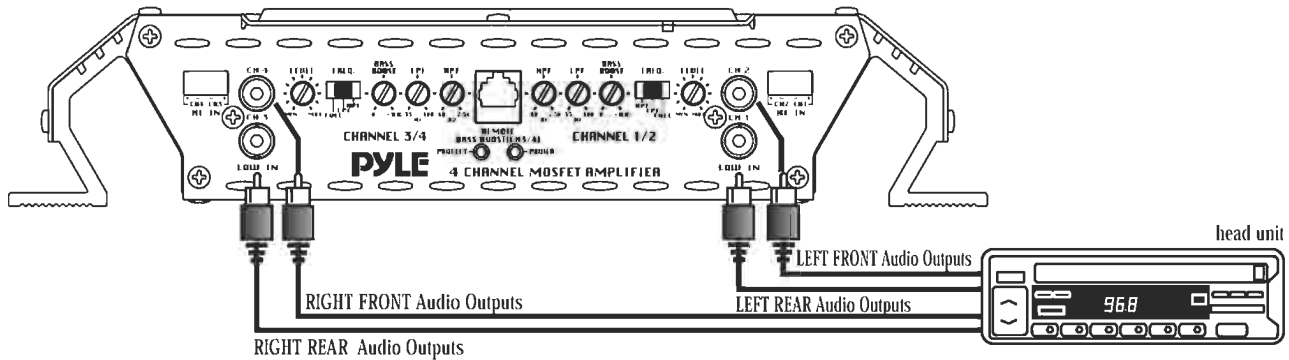
PYLE

mono input connections

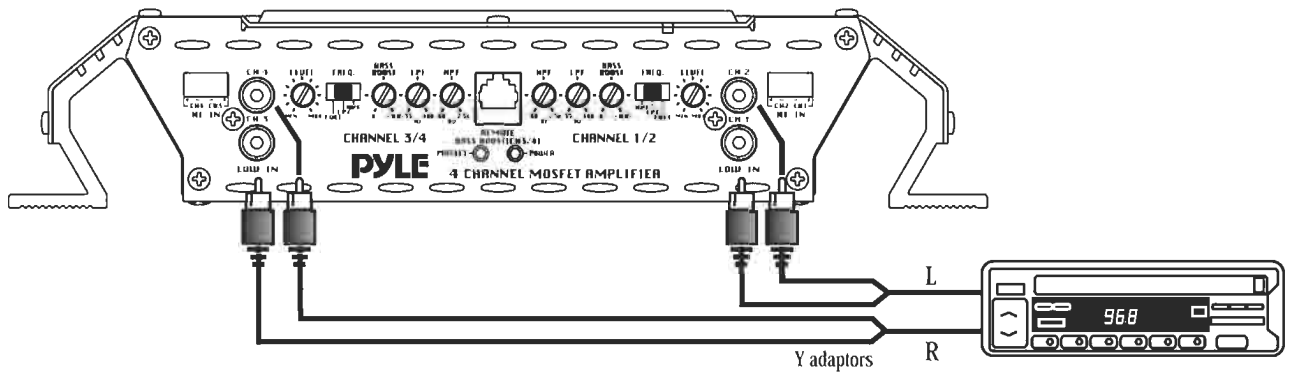
4 ch amp PLA-4140 • PLA-4240 • PLA-4340

4 CH mono input connections using low level inputs

- PLA-4140
- PLA-4240
- PLA-4340



2 CH mono input connections using low level inputs



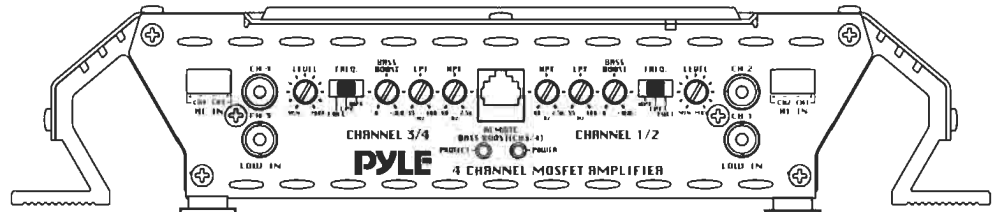
PYLE

high level mono input connections

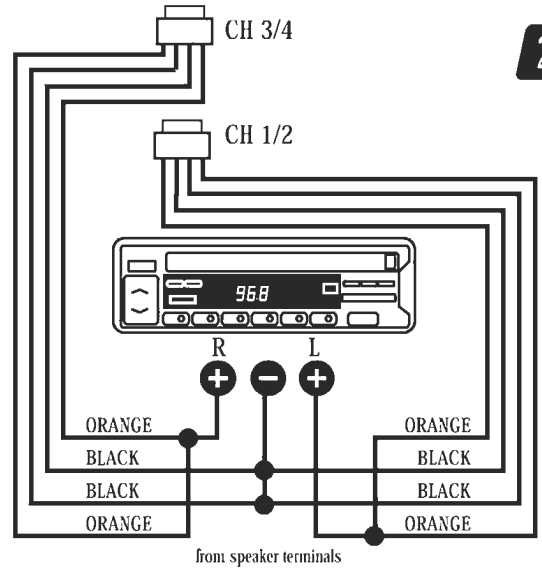
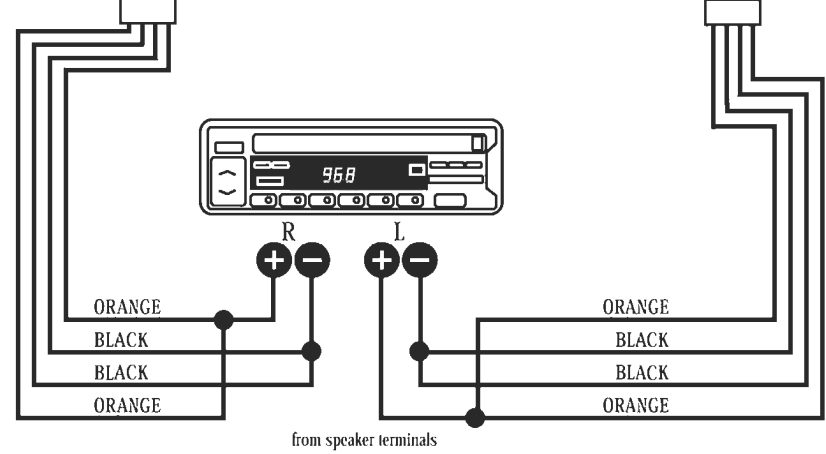
4 ch amp PLA-4140 • PLA-4240 • PLA-4340

4 CH floating ground connections

- PLA-4140
- PLA-4240
- PLA-4340



4 CH harness wiring for common ground connections

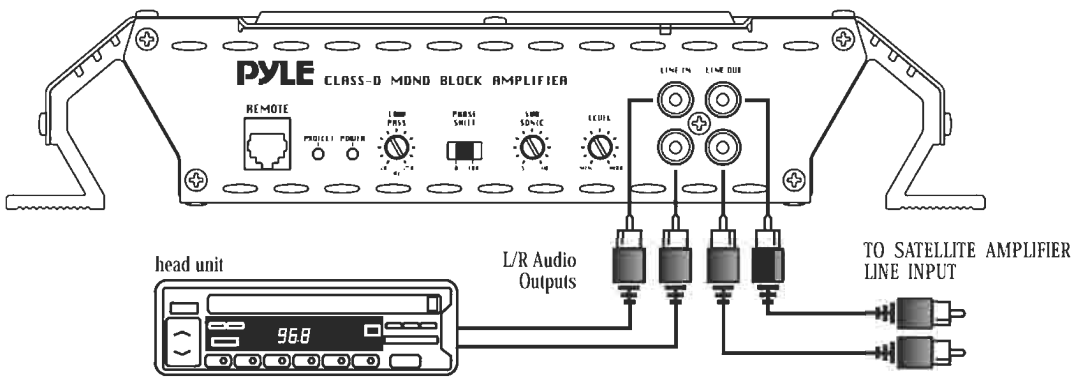


PLEASE NOTE! If using high level inputs, do not use the low level RCA inputs at the same time!

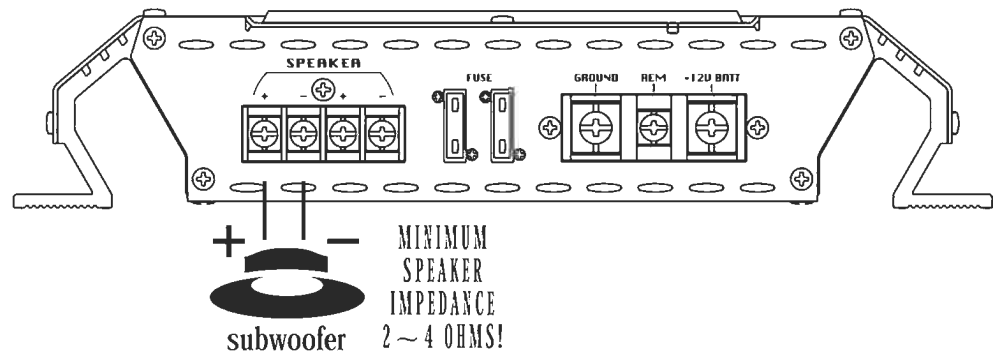
PYLE *blue wave* system wiring

Class-D MONO BLOCK AMPLIFIER PLA-4100D

PLA-4100D



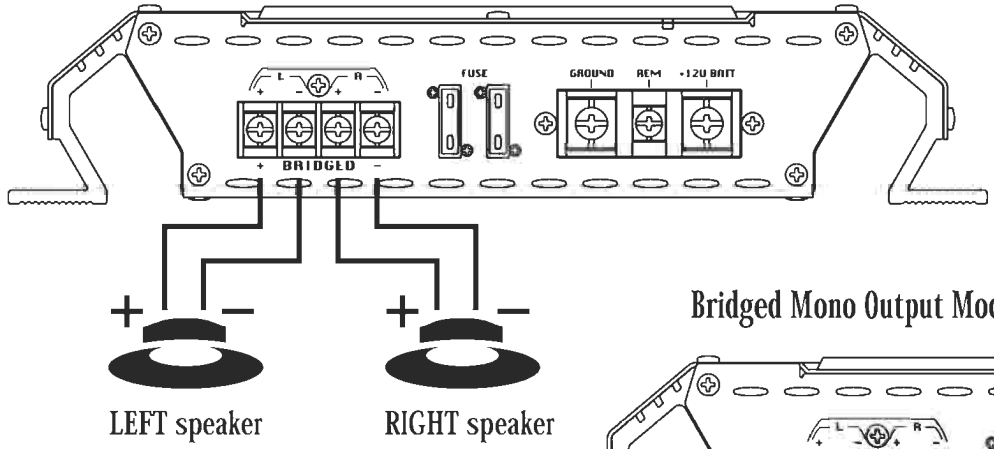
SPEAKER OUTPUT CONNECTION



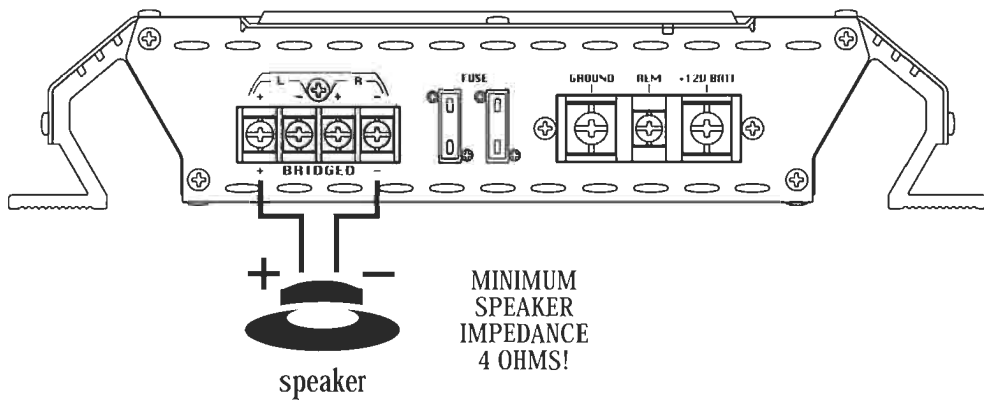
speaker connections

2 ch amp PLA-2140 • PLA-2240 • PLA-2340
PLA-2440 • PLA-2540 • PLA-2640 • PLA-2740
PLA-2840

Stereo Output Mode



Bridged Mono Output Mode



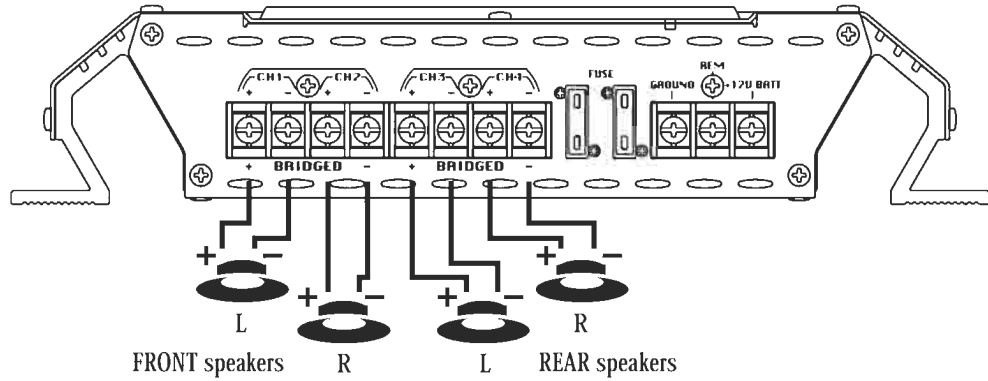
- PLA-2140
- PLA-2240
- PLA-2340
- PLA-2440
- PLA-2540
- PLA-2640
- PLA-2740
- PLA-2840

PLYLE blue wave speaker connections

4 ch amp PLA-4140 • PLA-4240 • PLA-4340

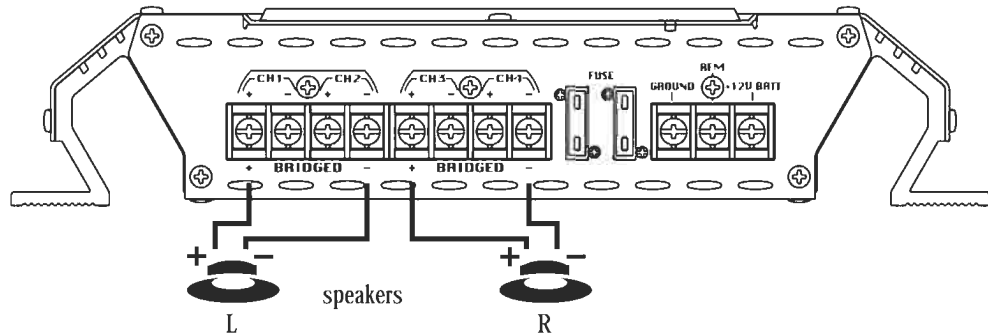
PLA-4140
PLA-4240
PLA-4340

4 CH Output Mode



24

Bridged Dual Mono Output Mode



MINIMUM
SPEAKER
IMPEDANCE
4 OHMS!

PYLE

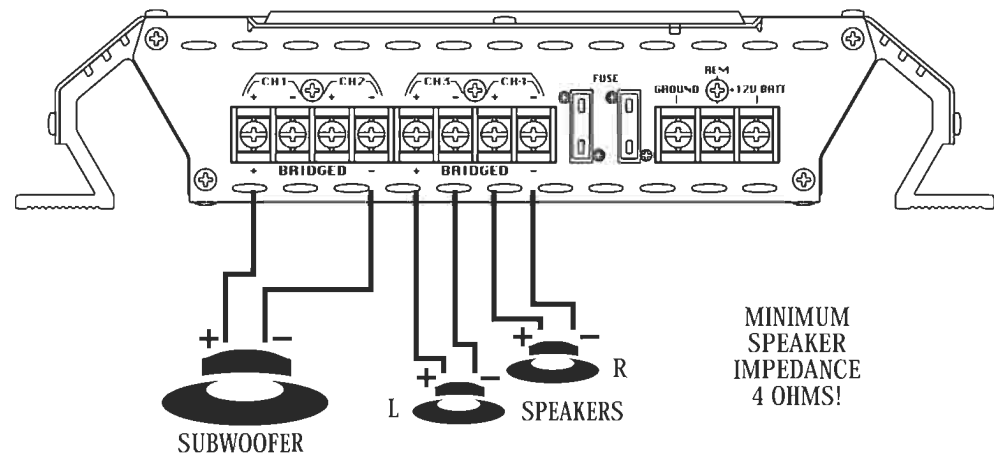
blue wave

speaker connections

4 ch amp PLA-4140 • PLA-4240 • PLA-4340

- PLA-4140
- PLA-4240
- PLA-4340

2 CH Bridged Output Mode with Subwoofer Output



PYLE

blue wave

mounting and installation

mounting

Your new Pyle Blue Wave Series amplifier comes complete with all required mounting hardware. When determining a suitable location in your vehicle for the amp, please remember that it is a high-power electronic device capable of generating high heat.

For this reason, always choose a location in your vehicle which has low vibration, adequate ventilation, a minimum of dust, and no moisture. Be sure to mount the amp in such a manner as to allow reasonable airflow over the cooling fins.

Mark the location for the mounting screw holes by positioning the amp where you wish to install it and use a scribe (or one of the mounting screws) inserted in each of the mounting holes to mark the mounting surface. If the mounting surface is carpeted, measure the hole centers and mark with a felt tip pen.

Before attempting to drill the mounting holes, take note of any wires, lines or other devices in your vehicle which may be located behind the mounting surface! Then drill pilot holes in the mounting surface for the mounting screws and insert them. Tighten the screws securely.

26

wiring tips

When making electrical connections to your amplifier, please observe the following:

Use at least 8 gauge wire for power and ground connections.

Wire the amplifier directly to the car battery.

For the ground connection, use the shortest possible wire to a good chassis ground point.

Wire the Remote connection to the auto start lead of your head unit, equalizer or power antenna.

fuses

About power fuses:

Pyle Blue Wave Series amplifiers feature built-in fuse systems. These fuses protect both the amplifier and the electrical system in your vehicle from fault conditions. If you ever need to replace the fuse in your Pyle Blue Wave Series amp, use a fuse of exactly the same type and rating. A different type or rating of fuse may result in damage or fire.

protection circuitry

The built-in protection circuitry in the Pyle Blue Wave Series amplifiers will disable the amplifier if it senses an input overload, a speaker short circuit, or extreme temperature conditions.

When the protection circuit is activated by any of these conditions, the Protection LED will be illuminated.

If this occurs, carefully inspect the system to determine the source of the problem.

- If the shutdown was a result of a thermal overload condition, allow the amplifier to cool down before attempting to restart it.
- If the shutdown was a result of an input overload, or speaker short circuit, be sure to correct the condition before restarting.

The amplifier can be restarted by turning the remote power OFF and then ON again.

No output.

Confirm that all terminal strip connections are secure and tight.

Check both in-line and built-in fuses. Both the +12V and the Remote terminals must have +12v referenced to chassis ground.

Confirm that the audio signal source (car radio, equalizer, etc.) is connected and is supplying output signal. To check if the amp is supplying signal, unplug the cables from the signal source (but leave them plugged into the amp). Briefly tap the center pin of each of the disconnected RCA plugs with your finger. This should produce a noise (feedback) in your speakers.

Only one channel works.

Confirm that all terminal strip connections are secure and tight.

Check the Balance control on the head unit (or other source) to verify that it is set to its midpoint.

If you are using the Low Level RCA input, reverse the input plugs at the amplifier (i.e., switch the L with the R). If the channels which is silent switches to the other side, the problem is either in the head unit/other source or the connecting cables.

Weak output.

Readjust the Input Level Control(s) to better suit the input signal.

Noise in the audio.

If the noise is a "whine" whose pitch follows the engine speed, confirm that the amplifier and any other signal sources (head unit, etc.) are properly grounded.

If the noise is a "clicking" or "popping" noise whose rate follows the engine speed, this usually means that the vehicle is equipped with resistor spark plugs and wires, or that the ignition is in need of service.

Check the routing of the speaker and input wires to make sure they are not adjacent to wires which interconnect lights and other accessories.

If the above steps fail to improve or clear noise interference, the system should be checked by a professional mobile audio installer.

PLYLE blue

precautions

Do not operate the amplifier when it is unmounted. Attach all audio system components securely within the automobile to prevent damage, especially in an accident.

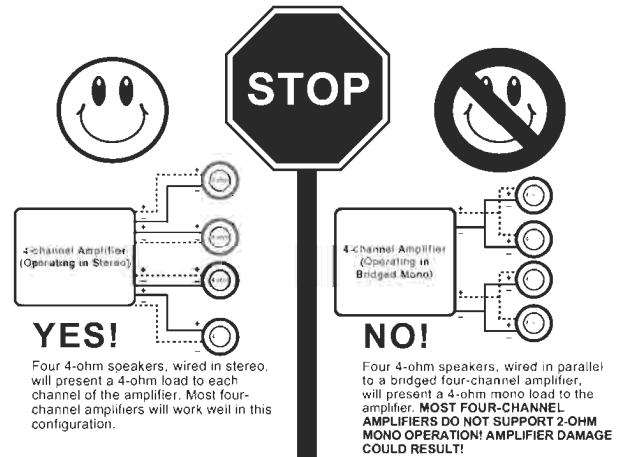
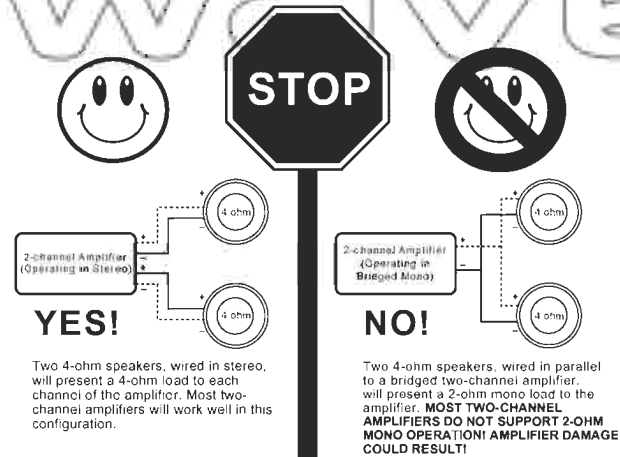
Do not mount this amplifier so that the wire connections are unprotected, or in a pinched condition, or likely to be damaged by nearby objects.

Before making or breaking power connections in your system, disconnect the vehicle battery. Confirm that your head unit or other equipment is turned off while connecting the input jacks and speaker terminals.

If you need to replace the power fuse, do so only with a fuse identical to that supplied with the amplifier. Using a fuse of a different type or rating may result in damage that isn't covered in the manufacturer's warranty.

wave

notes



PYLE limited warranty policy

blue wave amplifiers

All Pyle products are carefully constructed and thoroughly tested before shipment. Products purchased in the USA are warranted to be free of defects in material and workmanship for two (2) years from the date of purchase. This warranty is limited to the original retail purchase.

Should the product fail due to factory defects in material or workmanship, your unit will be repaired or replaced at the sole discretion of Pyle.

To obtain warranty service you must first call our Consumer Return Hotline number at (718) 236-6948 to obtain a Return Authorization number. This R.A.# must appear on the outside of your package and on all paperwork relating to your return.

When returning a product to us for warranty service it must be carefully packed and shipped prepaid to:

R.A.# _____
Pyle Service Center
1600 63rd Street
Brooklyn, NY 11204

You must also include the following items:

- A copy of your sales receipt or other proof of purchase
- A brief letter indicating the problem you are experiencing
- include in your letter your return address, daytime phone number, and R.A. number
- also include a check or money order for \$18.00 for return shipping, handling, and insurance, or provide your Visa/MC number with expiration date.

Our obligation under this warranty is limited to the repair or replacement of the defective unit when it is returned to us prepaid. This warranty will be considered void if the unit was tampered with, improperly serviced, or subject to misuse, neglect, or accidental damage.

www.pyleaudio.com

Free Manuals Download Website

<http://myh66.com>

<http://usermanuals.us>

<http://www.somanuals.com>

<http://www.4manuals.cc>

<http://www.manual-lib.com>

<http://www.404manual.com>

<http://www.luxmanual.com>

<http://aubethermostatmanual.com>

Golf course search by state

<http://golfingnear.com>

Email search by domain

<http://emailbydomain.com>

Auto manuals search

<http://auto.somanuals.com>

TV manuals search

<http://tv.somanuals.com>