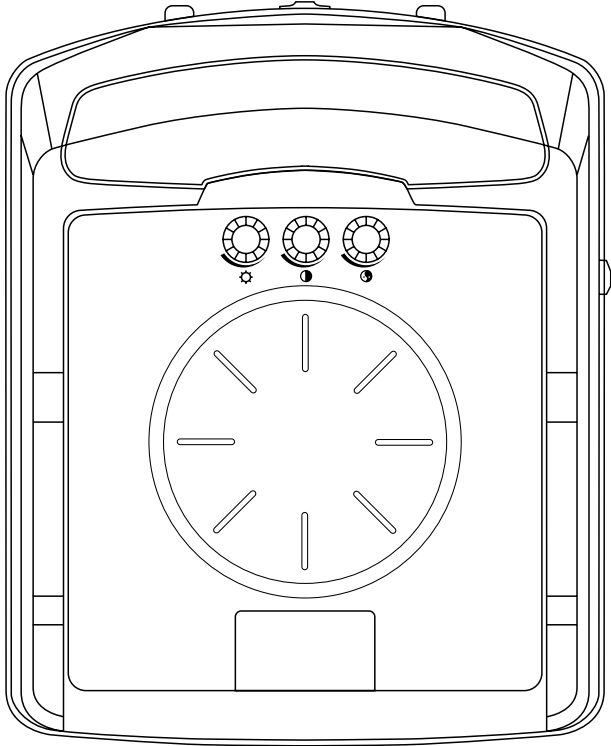


OWNER'S MANUAL

FLIP DOWN TFT MONITOR



INSTALLATION

Desk-top Installation

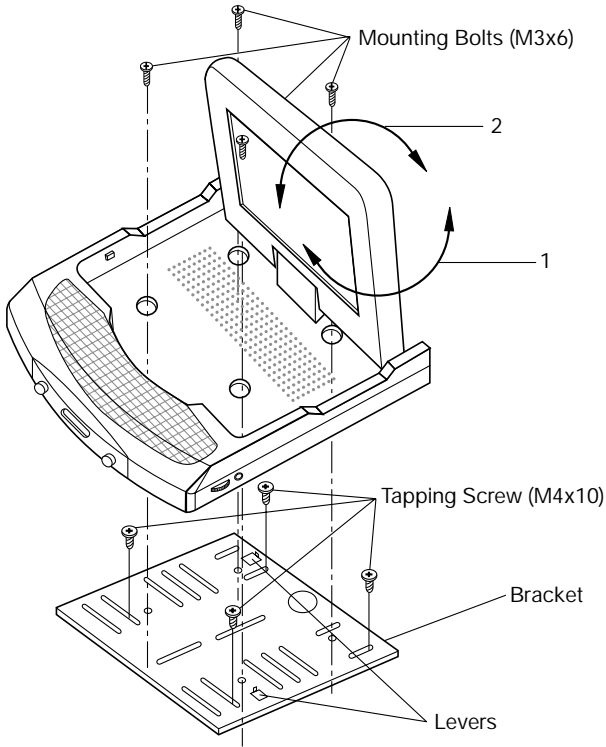


Fig. 1

1. Determine the mounting location and drill four mounting holes.
2. Attach the bracket to the holes with the tapping screws (M4x10).
3. Let the two levers aim at the fixing holes on the bottom of the base to fix the display unit.
4. Attach the TV unit to the preferred location with the mounting bolts (M3x6).
5. For the convenience of fixing the unit, you can turn the display left or right to show the holes on the base.
(See the arrowhead symbol named 1).
6. When the installation has completed, you can turn the display upward or downward, left or right to adjust the viewing angle.
(See the arrowhead symbol named 2 and 1).

INSTALLATION

Ceiling-on Installation

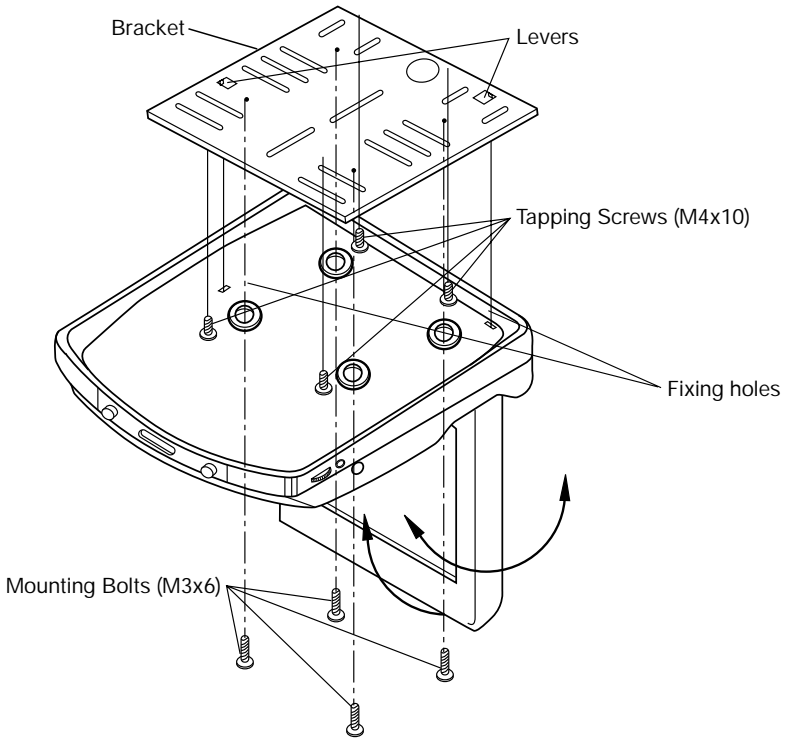



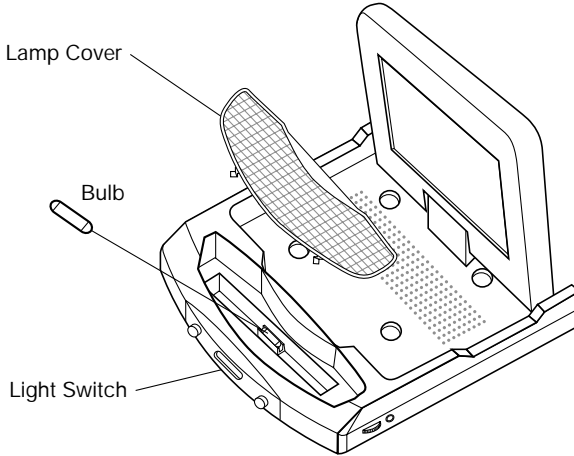
Fig. 2

1. Determine the mounting location and drill four mounting holes.
2. Attach the bracket to the holes with the tapping screws (M4x10).
3. Let the two levers aim at the fixing holes to fix the display unit.
4. Attach the unit to the bracket with the mounting bolts (M3x6).
5. When the installation has completed, you can also turn the display upward or downward, left or right to adjust the viewing angle.
(See the arrowhead symbol).

REPLACING THE CAR DOME LAMP

Follow the directions show below for a new lamp changing.

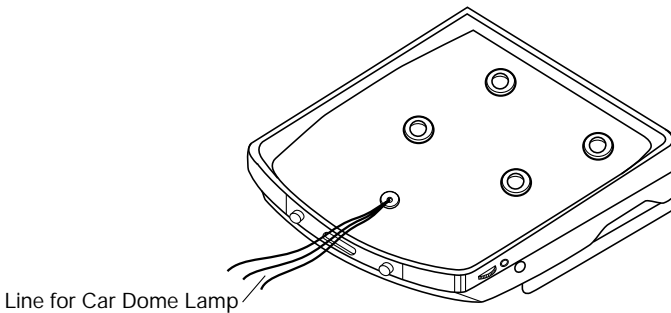
1. Position light switch to "  ".
2. Push back the lamp cover and open it. (Refer to the following figure)
3. Remove and discard the old lamp.
4. Install a new bulb.
5. Close the cover.



Bulb Specification

Diameter: ø8mm
Length: 28mm
Voltage Spec.: DC12V, 5W

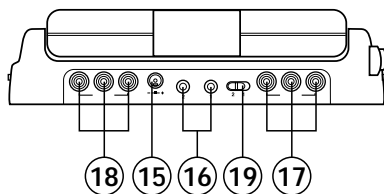
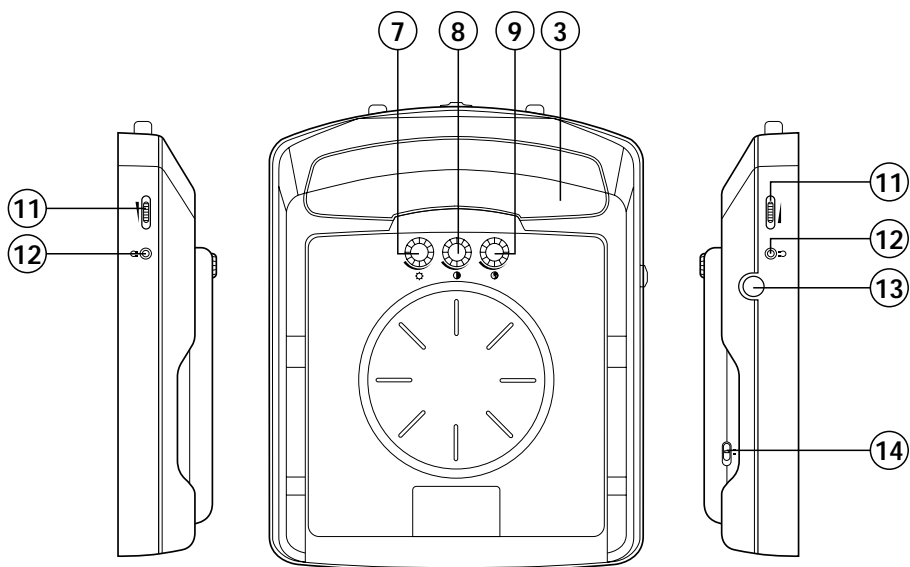
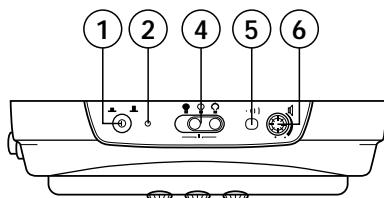
CAR DOME LAMP WIRING



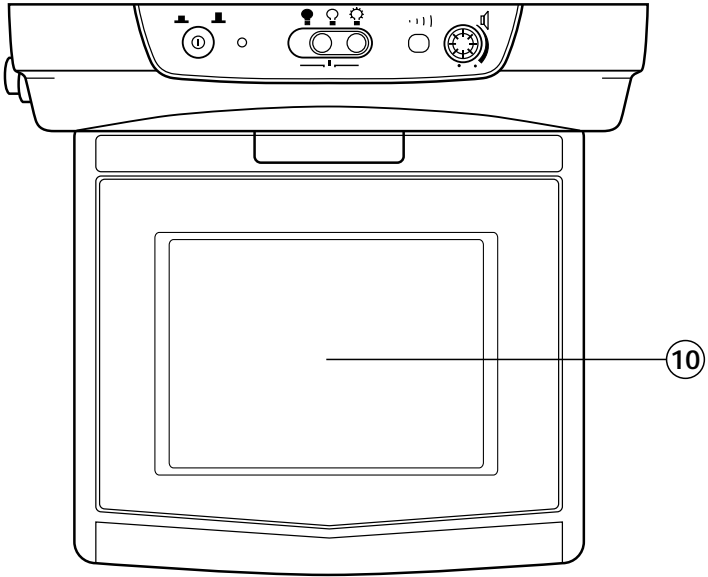
Note:

Color	Connection
Red	Power Supply
White	Interior Light Supply
Black	Ground

CONTROL & FUNCTION KEYS




CONTROL & FUNCTION KEYS



5.6 INCH TFT COLOR MONITOR

MONITOR

1. (=POWER)

Press  button (1) to turn on the unit. Press it again to turn it off.




2. POWER INDICATOR LIGHT


When the system is on, the indicator light (2) will be illuminated.


3. CAR DOME LAMP


The car dome lamp (3) will be on in some needed situations.

4. LIGHT SWITCH

There are three settings for the car dome lamp operation:  (OFF),  (AUTO), and  (ON), refer to light switch (4).

A.  : To turn off the lamp.

B.  : To make the lamp turned on only when car doors are opened.

C.  : To turn on the lamp.

5. REMOTE SENSOR

Point the remote control handset to the remote sensor (5).

Press the function keys on the handset to control the unit, it would be worked for connecting the TV unit or DVD only.

6. SPEAKER VOLUME CONTROL KNOB

Rotate the knob (6) clockwise or counter-clockwise to increase or decrease the volume level of the speaker on the base of the unit. When rotate the knob in the direction of volume decreasing to the end, it will turn off the speakers.

7. BRIGHT ()

Rotate the bright knob (7) clockwise or counter-clockwise to increase or decrease the screen brightness.

8. CONTRAST ()

Rotate the volume knob (8) clockwise or counter-clockwise to increase or decrease the contrast level of the screen display.

9. COLOR ()

Rotate the color knob (9) clockwise or counter-clockwise to increase or decrease the color level of the screen display.

10. TFT LIQUID CRYSTAL DISPLAY

The 5.6 - inch color **TFT LCD** (10) can show the current state of the unit.

11. EARPHONE VOLUME CONTROL KNOB

Slide the knob (11) will change the volume of the earphone.

12. JACKS FOR EARPHONE

There are two jacks (12) for earphone. You can connect earphone to any one of the jacks to receive sound signal.

13. **PUSH (Monitor Release Button)**

Opening the Monitor

Press the **PUSH** button (13) to eject the screen display from the base at a little angle. Then you can easily turn the display upward or downward for good viewing. The monitor also can be adjusted through 30 degree both left and right from the central viewing position

Closing the Monitor

Return the monitor to the central viewing position. Then push the monitor back into the monitor base unit until the screen engages with **PUSH** button (13) .

14. **DISPLAY DIRECTION CONTROL SWITCH**

The switch (14) should be dialed to **DWN** side or **UP** side to adjust the direction of the picture display and get user's needed viewing effect.

15. **DC 12V INPUT**

Through this jack (15), provide DC 12V power supply to the unit.

16. **SENSOR**

When connect DVD unit or another unit to the monitor through these two jacks (16), you can control the DVD unit or another unit by pointing the remote control handset directly to the remote sensor (5).

17. **AV1 IN**

The group of jacks (17) is used for AUDIO R in and AUDIO L in and VIDEO in.

18. **AV2 IN**

The group of jacks (18) is also used for AUDIO R in and AUDIO L in and VIDEO in.

19. **AV SELECT SWITCH**

Slide the switch (19) to "1" side, the **AV1 IN** (17) group is available; slide the switch (19) to "2" side, **AV2 IN** (18) group is available.

Free Manuals Download Website

<http://myh66.com>

<http://usermanuals.us>

<http://www.somanuals.com>

<http://www.4manuals.cc>

<http://www.manual-lib.com>

<http://www.404manual.com>

<http://www.luxmanual.com>

<http://aubethermostatmanual.com>

Golf course search by state

<http://golfingnear.com>

Email search by domain

<http://emailbydomain.com>

Auto manuals search

<http://auto.somanuals.com>

TV manuals search

<http://tv.somanuals.com>