

# OWNER'S MANUAL

**PYLE**<sup>®</sup>  
**view**



**PLDBT30U**

3" TFT Touch Screen DVD/ VCD/ CD/ MP3/ CD-R/ USB/ AM/ FM/ BlueTooth



**USB Bluetooth™**

[www.pyleaudio.com](http://www.pyleaudio.com)

## Contents

<b>Safety Precautions</b> .....	2	<b>Bluetooth</b> .....	10
<b>Electric Connection</b> .....	3	<b>Radio Operation</b> .....	12
Reception collection		Band	
Speaker collection		Band tuner	
<b>Installation</b> .....	4	APS/ST	
Install the unit		<b>Remote Control</b> .....	13
Remove the unit		Loading and Replacing the battery	
<b>General Features</b> .....	5	Basic operation	
PLAY/PAUSE		<b>Accessories</b> .....	16
Eject		<b>Specifications</b> .....	17
Source/Power		<b>Trouble Shooting</b> .....	18
Mute			
Volume			
Select charter/Foward /Backward			
Repeat			
Release			
Display position adjustment			
<b>USB/SD operation</b> .....	8		
USB/SD PLAYER			
<b>System setting</b> .....	9		
Video			
Audio			
System			

## Safety precautions

### ⚠ CAUTION

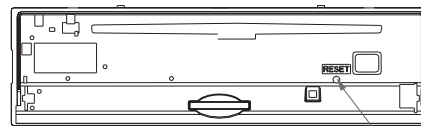
*To prevent injury or fire, please take the following precautions:*

- Do not watch videos when driving.
- To prevent electric shock, etc. please do not let the metal goods (silver, coin, tools...) fall into the installation.
- If you smell or see smoke, turn off the power immediately and consult the place of purchase.
- Be careful not to drop or shock the unit strongly.
- Do not touch the liquid crystal to avoid hurting yourself. If your clothes are stained by it, please clean them with soap immediately.
- For your driving safety, please link your brake detecting wire with low power level, and keep it controlled by manual brake switch. wire should be high power level and the unit can not play DVD or VCD disc.

### ⚠ WARNING

*To prevent damage to the machine, take the following precautions:*

- Be sure the unit is connected to a 12V DC power with a Negative Ground.
- Do not install the unit in places where it is exposed to direct sunlight, high heat or humidity, water splash or dust.
- To change fuse, please use the same one in specification and capacity.
- When changing fuse, please do it after pulling down power wires to avoid short circuit.
- If the unit does not seem to be working properly, please press the reset button to resume the function.



Reset

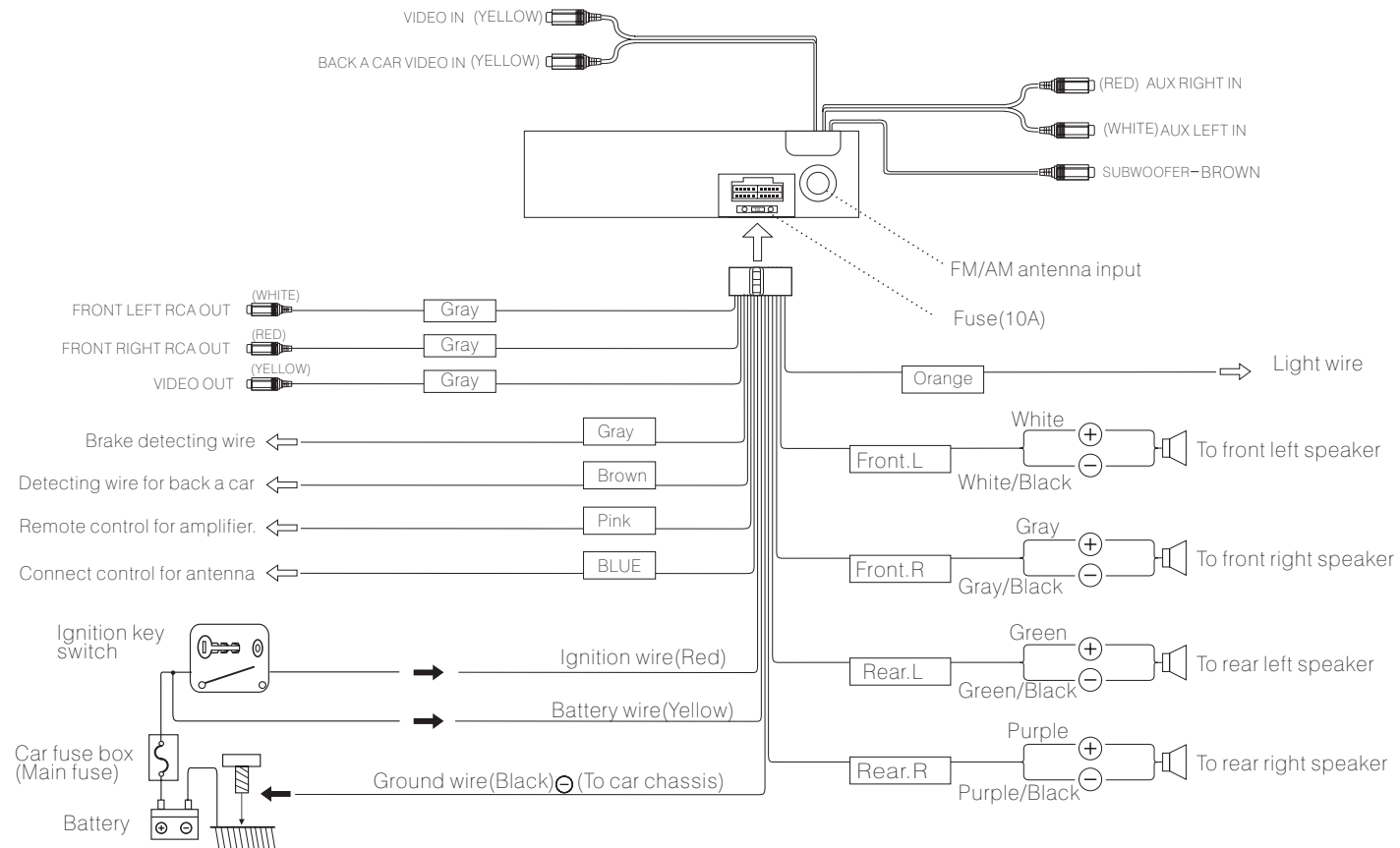
### ⚠ PRECAUTIONS

*Please Note:*

- When driving a car, reduce the volume to be more aware of the road traffic.
- Avoid getting the speakers and disc wet from water or dampness while cleaning the car.
- Do not park your car in the direct sunlight and turn on the unit after it is cooling down in the car.
- Protect your mechanism, and do not put it close to magnet, screwdriver or other coherent stuff.

⚠ If you do not comply with the above items, it may cause abnormal running and system trouble.

## Electric Connection

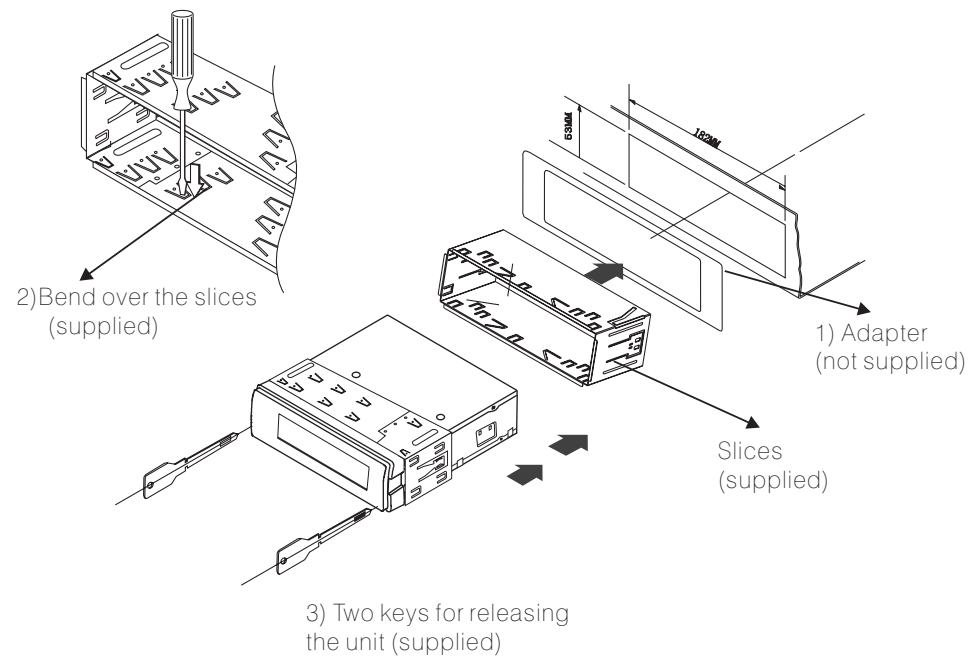


## Installation

- Before installing the receiver, fit it in the suitable place of your car.  
Then connect the corresponding speakers and electrical connections.  
When your system is operated properly, follow the instructions installation

### INSTALL THE UNIT

- 1) Install the bracket
- 2) Bend over some slices to secure the installation of bracket inside of dash.
- 3) To avoid shake of the receiver, make sure to install the fixation strap behind the receiver.

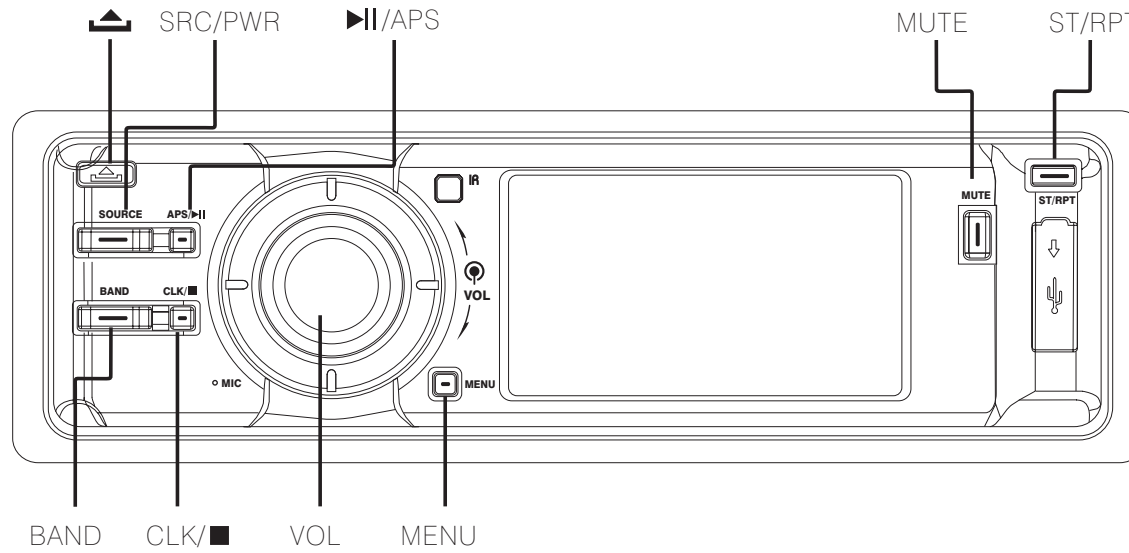


### REMOVE THE UNIT

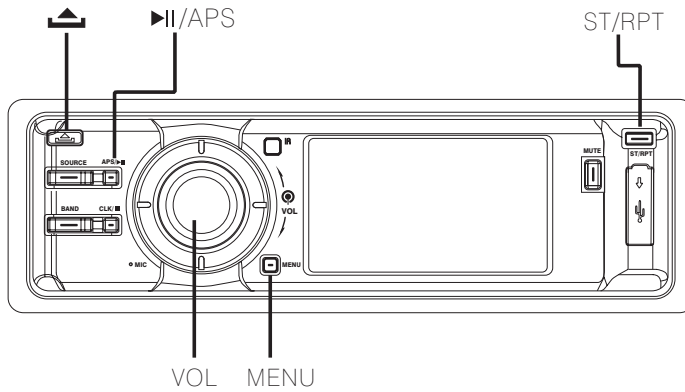
- Insert the keys into the small gaps in the right and left sides of the unit at the same time. Link the keys to the slices and then pull out the unit lightly to remove it from your car, and then pull out the connection plugs.

## General Features

---



## General Features



### Play/pause

**Play/pause:** Press [APS/▶II] button to play or pause.

**NOTE:** Press [VOLUME] button can play too.

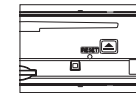
### CLK/■

■: In the play mode, press [■] button once to pause, press it again to stop

### Eject

**EJECT:** Press [▲] to eject the disc.

**NOTE:** About 10 seconds after the disc ejected, if not taken out, the disc will be absorbed in again.



### SRC/PWR

- Press [SRC] button shortly will turn the unit on. Hold [SRC] button down will turn the unit off.

**NOTE:** When the power is on, press [SRC] button will show the follow picture, touch the certain icon to select the exact function needed.



**NOTE:** Gray icon can not use.

### Volume

#### Increasing Volume:

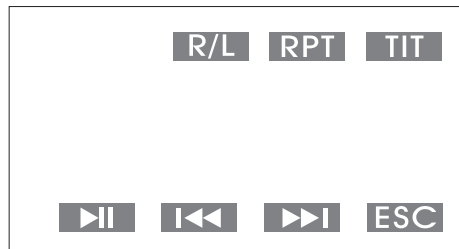
- Rotate the VOL button in counterclockwise direction.

#### Decreasing Volume:

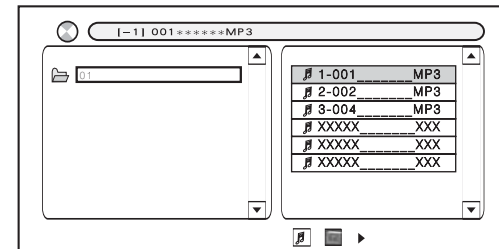
- Rotate the VOL button in anticlockwise direction.

## Play operation

Insert DVD/VCD/CD disc, touchscreen will show menu as follows:



Insert MP3 disc, and TFT will show menu as follows:



- In this menu, the menu on the right side is the sub-menu. You can press [▲][▼] to button to select the file and items you like.



- **Select chapter or section:** In the DVD mode, press [I◀◀] to Choose last chapter; press [▶▶I] to choose next chapter.
- **Forward:** Hold [▶▶I] button down;
- **Rewind:** Hold [I◀◀] button down.

### Repeat

**Repeat:** In the play mode, press [RPT] button to transit among the following status.



### R/L

**R/L:** In play mode, press this icon to return and switch among mono L、mono R or stereo.

### TIT

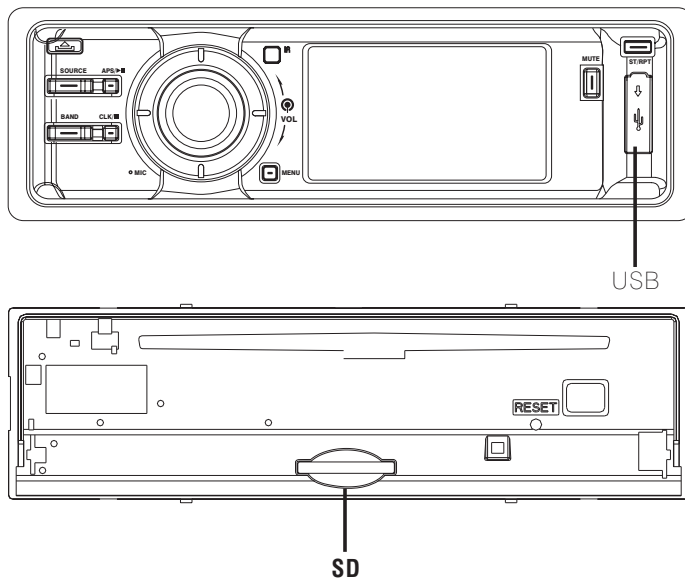
**Title:** In play mode, press this icon to return to the title menu, and re-select the items.

### ESC

**Esc:** In play mode, press this button to exit the playing.



## SD/USB operation



### USB/SD mode

#### USB mode

- Insert USB, the unit will switch to USB playing mode automatically

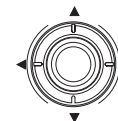
#### SD mode

- Insert SD card, the unit will switch to SD playing mode automatically

### Play operation

#### PLAY/PAUSE:

- Press [▶||] button to play or pause.

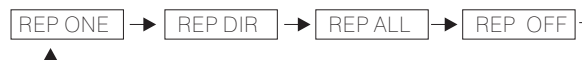


#### ▶, ◀ Select:

- Under USB or SD play mode, press[◀ ▶] button to select tracks.

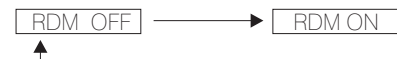
#### REPEAT:

- Touch [TFT] or press [ST/RPT] button to repeat the playing.



#### BAND:

- Press [BAND] button can play the disc randomly.



## System setting

### MENU

**ENTER MENU:** Press [ MENU ] button:

Video mode:

VIDEO	AUDIO	SYSTEM
BRIGHT		13
COL		14
CONTRAST		14
TINT		15
VMODE	STAN	

-      +      ESC

Audio mode:

Video	Audio	System
BASS		0
TREBLE		
BALANCE		0
FADER		0
EQ		NORM

-      +      ESC

System mode:

Video	Audio	System
LOUD		OFF
BEEP		ON
TOPIC		GREEN
TIME DISP		OFF
TIME ADJ		00:00

-      +      ESC

#### Menu operation

Clicks on the menu option  
Press [ + - ] to adjust.  
Press [ ESC ] to confirm and exit.

#### Menu operation

Clicks on the menu option  
Press [ + - ] to adjust.  
Press [ ESC ] to confirm and exit.

#### Menu operation

Clicks on the menu option  
Press [ + - ] to adjust.  
Press [ ESC ] to confirm and exit.

### Video setup

- Bright, Color, Contrast, Tint

- Vmode

```

STAN  →  USER
  ↑      ↓
BRIG ←  SOFT
  
```

### Audio setup

- Audio setup: Bass, Treble, Balance, Fader setup between 0~14.

- EQ setting:

```

NORM  →  ROCK
  ↑      ↓
CLAS ←  POP
  
```

### System setup

- Loud: ON and OFF

- Beep: ON and OFF

- TOPIC: can set the receive toping as RED /YELLOW BLUE /GREEN .

- Time Display: ON and OFF

- Time Adjust: press [ + ] or [ - ] button to select hour/minute then press [ + ] or [ - ] button to setup.

## Bluetooth

The Blue Tooth is one kind of short distance wireless mode of transmission. Through Blue Tooth function, the DVD unit establishes connection with Blue Tooth handset. And then, these units can realize mutually control and file transfer.

### Chooses the Blue Tooth Pattern

Method :

- A:** Press the [SOURCE] button, to return to main menu mode.
- B:** Exhales the main menu, choose the Blue Tooth to enter the Blue Tooth mode.



### Working mode of Bluetooth

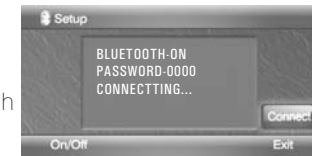
Blue Tooth has the bellow functions:

- A:** Paring  
Make DVD Blue Tooth function as handset's facility through pairing.
- B:** Connecting  
After connecting with the handset, you can operate the mobile phone through DVD unit (such as H,F, call, call record etc.)

### Paring

Phone set pairing step as bellow:

- A:** Turn on Blue Tooth, then touch On/Off icon to turn on this function.
- B:** Turn on handset's Bluetooth function .
- C:** When the mobile phone set finds the signal, input pairing number. Initial Pairing Code No.: " 0000 "
- D:** After pairing, TFT screen shows pairing succeed and quit the pairing.



### Answering

Answering function operate as bellow:

- A:** After connecting, the unit can use the telephone function.
- B:** When there is a phone call, the Blue Tooth will switch to phone function and display the calling number.
- C:** Touch Transfer icon can switch to phone answer mode. Touch it again can return to Blue Tooth function of the unit.



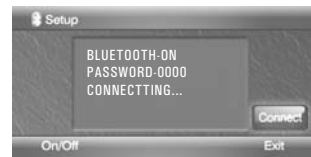
## Bluetooth

### Making phone call

After connecting, you can make phone call through remote control, touch screen or phone numbers record.

A: Making mobile phone call

After making phone call, the screen display will display making phone call.

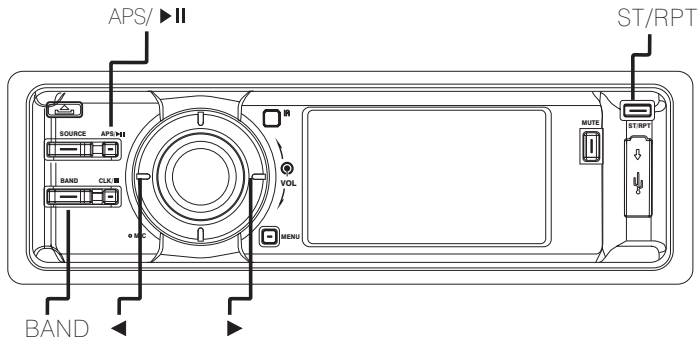


B: Making touch screen call

Input the numbers on the screen, press [←] icon can correct the numbers; press [📞] icon to make phone call; press [📞] icon to cancel or hang up.

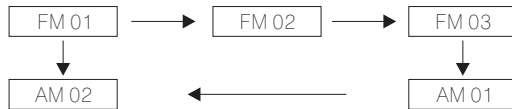


## Radio Operation



### BAND

- Press BAND button to select among three FM or two AM bands. (FM1-FM2-FM3-AM1-AM2)



### ST

#### Stereo

- Press [ST] button, switch between [MO] and [ST].while receiving the signal,[ST] back light turns blue.

#### Loc/DX

- Long press [ST], switch between LOC and DX.

### Band tuner

#### manual tune:

- Long press [▶] button can adjust to higher frequency.
- Long press [◀] button can adjust to lower frequency.

#### Automatically tune:

- Short press [▶]/[▶] button can search higher frequency and stop when get one ,long Press [▼]/[▲] button can store the station.
- Short press [◀]/[◀] button can search lower frequency stop when get one , long press [▼]/[▲] button can store the station.

### AS/PS

#### Search Stations

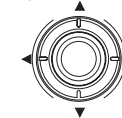
- Long press [▶||/APS] button for more than 3 seconds can search stations and store them in 1-6,FM1,FM2,FM3 and Am1 ,Am2 automatically.

#### Scan Stations

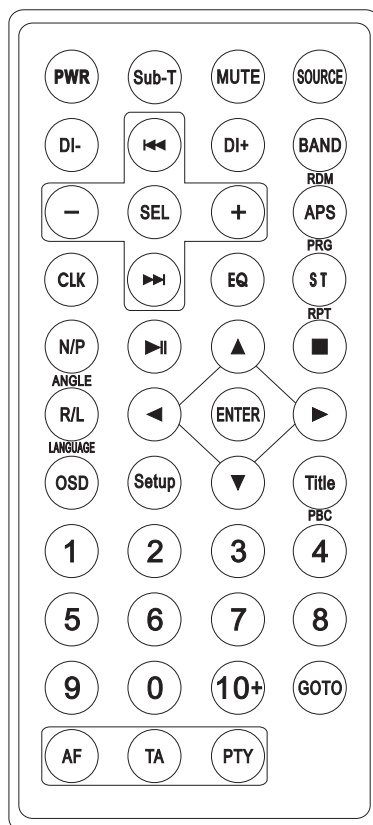
- Press [▶||/APS] button can scan and play every stored station for about three seconds, if you want to listen to the recent ly station, please press the button to stop scanning.
- Maximum 6 stations can be stored in each FM1,FM2,FM3 and AM1,AM2.

#### Select Stations

- Press [▲] or [▼] button can select 1-6 stations.

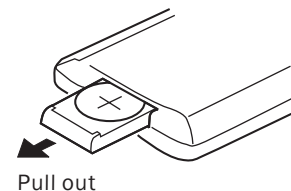


## Remote Control



### Loading and replacing the battery

Use one lithium battery(CR2025)  
Insert the batteries with the + and - poles aligned properly.  
Following the illustration inside the case.



#### **⚠ WARNING**

- Store unused batteries out of the reach of children. Contact a doctor immediately if the battery is accidentally swallowed.



Do not set the remote on hot places such as the above dashboard.

#### **⚠ CAUTION**

- This unit doesn't have RDS function, AF/TA/PTY neither.  
This unit doesn't have CDC function, DI-/DI+ neither.

## Basic Operation

---

### **PWR(POWER)**

---

Press this button to turn on/off the unit.

### **SOURCE**

---

Press this button can select sound mode.

### **|◀▶|**

---

Press these buttons can search tune, play forward and backward manually.

### **SEL**

---

Press this button repeatedly to select needed mode.

### **BAND ( RDM )**

---

Under receiving mode, press this button can select band; under VCD, CD and Mp3 mode,press this button can play randomly.

### **APS/PRG**

---

Under receiving mode, the unit can scan and store channel automatically.

Under CD/VCD/MP3 playing mode, press [PRG] button on Remote Control, then the screen will show PO, input the song number you like, such as input 1,2,3... then press the play button to choose the song you have set.

### **+/- (VOL)**

---

Press this button to increase or decrease volume.

### **▶|| (Play/pause)**

---

Press this button can switch between play and pause.

### **ST/RPT**

---

Under receiving state, press this button to select stereo or single track; under playing state, it can play repeat.

### **GOTO**

---

When playing DVD, press this button to set chapter/ song/time,and confirm it by pressing ENTER button. When playing VCD/CD, it to directly enter after setting time ready.

### **OSD**

---

Press this button can show play time, surplus time.

## Basic Operation

---

### N/P(Angle)

---

#### N/P

Under the playing, press [N/P] and can transit among PAL/AUTO/NTSC mode.

#### Angle

In DVD mode, Long press can adjust the angle of the video.  
(The DVD disc record the angle with this function.)

### [←] [→] [▲] [▼] [ENTER]

---

Under DVD mode, press this button to move the cursor in up,down,left and right directions after entering SETUP Menu.Press “ETR” button can confirm selected item.



Press this button once to stop playing music .

### TITLE

---

Under VCD mode,press this button to enter Menu selection same as PBC.

Under DVD mode,press this button to return to the top of Menu.

### MUTE

---

Press this button to turn off volume out ,and again to resume.

### Sub-T[SUBTITLE(0-10+)]

---

Under DVD mode,press this button to switch dialogue language.

Press this button to directly select track and chapter,and 1-6 buttons can select exist stations.

### R/L(LANGUAGE)

---

Under VCD mode,press this button to switch track.

Under DVD mode,press this button to switch dialogue language.

### EQ

---

Press EQ button,screen will show relevant character as follows:

NORM → ROCK → POP → CLAS  
↑

### SETUP

---

Under playing mode, press this button can enter the menu for setting.

- Clicks on the menu option  
Press [ + - ] to adjust.  
Press [ ESC ] to confirm and exit.





## Specifications

Specifications subject to change without notice.

### DISPLAY UNIT

Liquid crystal panel.....3.6 inches  
 panel weight .....157g  
 Number of pixels.....22,4640 pixels  
 Display method.....Transparent color filter format  
 Drive method.....LTPSTFT  
 Light source.....internal light  
 (built-in small fluorescent lamp)

### GENERAL

Operating power.....12 Volts DC,negative  
 ground  
 %10THD output wiring.....Designed for using four  
 speakers only front and rear  
 channels cannot be combined  
 in use with 2speakers.  
 Load impedance.....compatible 4 to 8 ohm  
 speakers  
 Fuses.....10 amp  
 Dimensions..... 187mm(L)x170mm(W)x50mm(H)  
 Weight.....1.92Kgs

### RECEIVING FREQUENCY FIGURE

AREA	BAND	FREQUENCY RANGE (HZ)	AUTOMATICALLY STEP (KHZ)	INCHING STEP (KHZ)
EUROP	FM	87.5-108.0M	100	50
	AM	522-1620K	9	9
AMERICA	FM	87.5-107.9M	200	200
	AM	530-1710K	10	10
SOUTHAMERICA	FM	87.5-108.0M	100	100
	AM	520-1620K	10	10
RUSSIA	FM1、2	87.5-108.0M	100	50
	FM3	65.0-74.0M	10	10
	AM	522-1620K	9	9


## Trouble shooting guide

---

What might seem to be a malfunction in your unit may just be the result of slight misoperation or miswiring. Before calling for after service, please check the following tables for possible problems first.

?The power does not turn ON.

✓ **The fuse has been burned out.**

 Confirm whether the fuse is short circuit, then replace the fuse with the same capacity.

---

?NO Sound.

✓ **The cable connect incorrectness.**


✓ **The Mute is turned on.**

 Connect the cable exactly; Turn the Mute off.

---

?Noise on Radio or poor reception.


✓ **Antenna and Antenna Cable.**

 Adjust the fix position or reconnect the antenna cable.

---


?Noise on both Radio and CD.

✓ **Black wire.**

 Clean the black wire and connect it to ground.

?No/Poor sound on one or more speakers.

✓ **Bad connection of speaker wire, incorrect setting of Volume, Balance and Fader.**

 Check the speaker wire, change the loudhailer, check the setting of Volume, Balance and Fader.

---

?CD sound skips.


✓ **The angle of installation is greater than 45 degree , the unit is not good fixed, or the bad quality of CD disc.**

 Adjust the angle of the unit to less than 45 degree and make sure the unit is good fixed; Use good quality CD disc.

---

?Unit completely in-cooperative, no Light or Sound.

✓ **Incorrect wire connection of Power RED/YELLOW or Ground wire or burn out of fuse**

 Check the Red wire to +12 Volts with key ignition switch, yellow wire to +12 Volts battery and black wire to ground. Check fuse with red/yellow wire, or check the fuse block on your car.

## **OWNER'S MANUAL**

---

Before installation and operating the unit please read  
this manual thoroughly and retain  
it for future reference

## Free Manuals Download Website

<http://myh66.com>

<http://usermanuals.us>

<http://www.somanuals.com>

<http://www.4manuals.cc>

<http://www.manual-lib.com>

<http://www.404manual.com>

<http://www.luxmanual.com>

<http://aubethermostatmanual.com>

Golf course search by state

<http://golfingnear.com>

Email search by domain

<http://emailbydomain.com>

Auto manuals search

<http://auto.somanuals.com>

TV manuals search

<http://tv.somanuals.com>