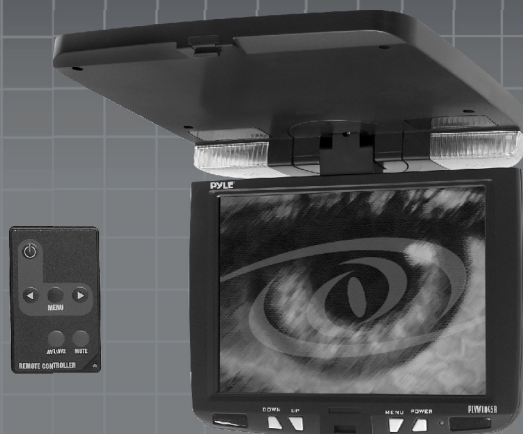


PYLE®



view

10.4" Flip Down TFT-LCD Color
Monitor with IR



PLVW1045R

TABLE OF CONTENT

1. INSTALLATION GUIDE

2. FUNCTION KEYS

2.1 FUNCTIONS OF FRONT PANEL

2.2 FUNCTIONS OF REMOTE CONTROL

3. TROUBLE SHOOTING

3.1 NO POWER

3.2 NO FUNCTION OF REMOTE CONTROL

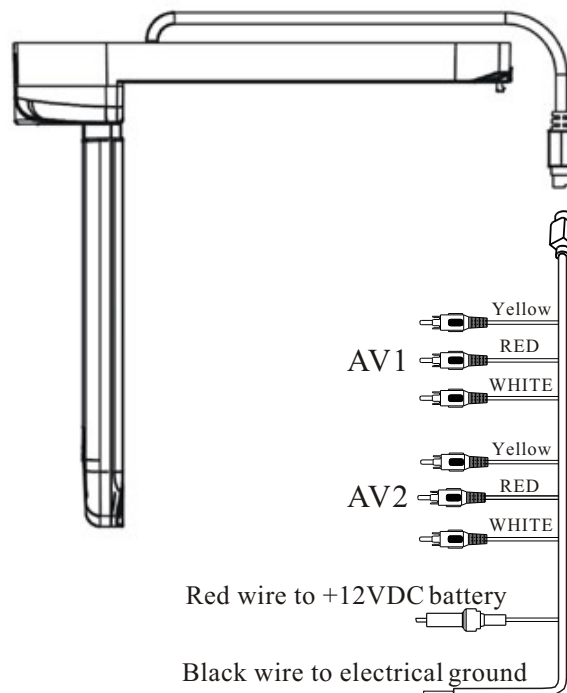
3.3 NO DISPLAY OR NOT CLEAR

4. ACCESSORIES

5. SPECIFICATIONS

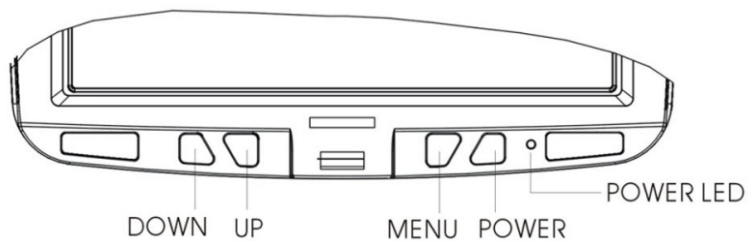
1. INSTALLATION GUIDE

1. On a towel or soft cloth, gently place the monitor unit "face down" on a stable work surface.
2. Locate the pigtail with the DIN connector.
3. Connect the DIN connector to the interface cable provided.
4. Connect the RED wire th the positive (+) battery terminal.
5. Connect the Black wire to a chassis electrical ground point.
6. Connect the cable with YELLOW RCAjack to Video Input sources for your Video Program material.
7. Connect the cable with RED and WHITE RCA jack to Audio sources for your Audio Program material.



2. FUNCTION KEYS

2.1 FUNCTIONS OF FRONT PANEL

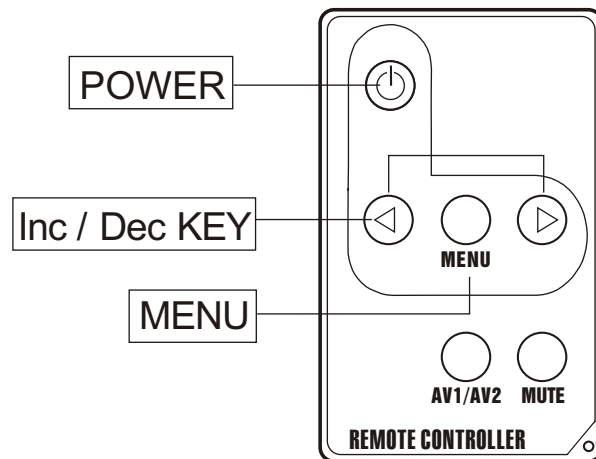


POWER: 1. Press the "POWER" button once, it will be "POWER ON."
Press it again, it will be "POWER OFF."

MENU: 1. Pop up the OSD menus. Press the "Menu" button again to enter the OSD menus. When in sub-menu, press "EXIT" to go back to the main menu.

UP/DN: 1. Press the "UP/DOWN" key to increase or decrease value
2. Make item selection in OSD menus to increase or decrease parameters as well..

2.2 FUNCTIONS OF REMOTE CONTROL



- Brightness: → Brightness, contrast adjustment
- Video Control: → RGB color density, deviation, sharpness adjustment
- OSD Function: → OSD adjustment and display methods
- Image: → Switch the source of signal AV 1 and AV2 Inputs.
- Audio: → Only control Mute
- Recall: → Return to the initiatives
- Exit: → Exit

Press "Menu key", it will display a crosswise bar with digits. To use U/D key to adjust value and press "Menu key" to confirm the adjustment and then the crosswise bar and digits will disappear, or press "Exit" to leave OSD function directly.

3. TROUBLE SHOOTING

3.1 NO POWER

1. Make sure the power cable has been plugged in.
2. Make sure the plug has 12V~14V, may use another electrical appliance to test it.

3.2 NO FUNCTION OF REMOTE CONTROL

1. Make sure the batteries are in good condition and installed properly.
2. Make sure the remote control is aiming at the receiver, and there are no obstacles in between.
3. Perhaps, it is too far away from the receiver. Normal distance is within 7 meters.

3.3 NO DISPLAY OR NOT CLEAR

1. Check the video signal wires if they are connected properly.
2. Make sure the TV/Video is in proper position.

4. ACCESSORIES

- PS2/CAR CABLE
- INSTALLATION BRACKET
- SCREW PACK
- USER MANUAL
- REMOTE CONTROL

5. SPECIFICATIONS

ITEM	DESCRIPTION
LCD Panel Type	10.4" a-Si TFT active matrix
Screen Size:	26.4cm diagonal (10.4 inch)
Display Resolution (dot):	640(H) x 3(RGB) x 480(V)
Active Area:	165(W) x 95(H)
Pixel Pitch:	0.33(H) x 0.33(V)mm
Back Light:	CCFL (Cold cathode filament tube)
LCD Profile Ratio:	4 : 3
Contrast Ratio:	200 : 1
Brightness:	220 cd/m ²
Power Input Consumption:	DC12V ±10% less than 0.8A
System:	NTSC and PAL auto switch SCEAM is available
Video Input:	Composite video signal 1Vp-p 75 ohms
Video Input:	PS2 x 2
Viewing Angle:	Lift & Right 45 degree Down 20 degree Top 30 degree
Dimensional Outline (mm):	265.0mm(W) x 268mm(H) x 40.8mm(D)
Operation Temperature:	0° C ~ +60° C
Storage Temperature:	-20° C ~ +80° C
Humidity:	10 ~ 90%
Monitor Weight:	1.8kg
Safety Certifications:	UL 、 FCC 、 CE 、 TUV
Monitor Rotate:	Right 90° & Left 90°

* Recommend for use with PYLE'S PLVWH1 wireless headphones.

Free Manuals Download Website

<http://myh66.com>

<http://usermanuals.us>

<http://www.somanuals.com>

<http://www.4manuals.cc>

<http://www.manual-lib.com>

<http://www.404manual.com>

<http://www.luxmanual.com>

<http://aubethermostatmanual.com>

Golf course search by state

<http://golfingnear.com>

Email search by domain

<http://emailbydomain.com>

Auto manuals search

<http://auto.somanuals.com>

TV manuals search

<http://tv.somanuals.com>