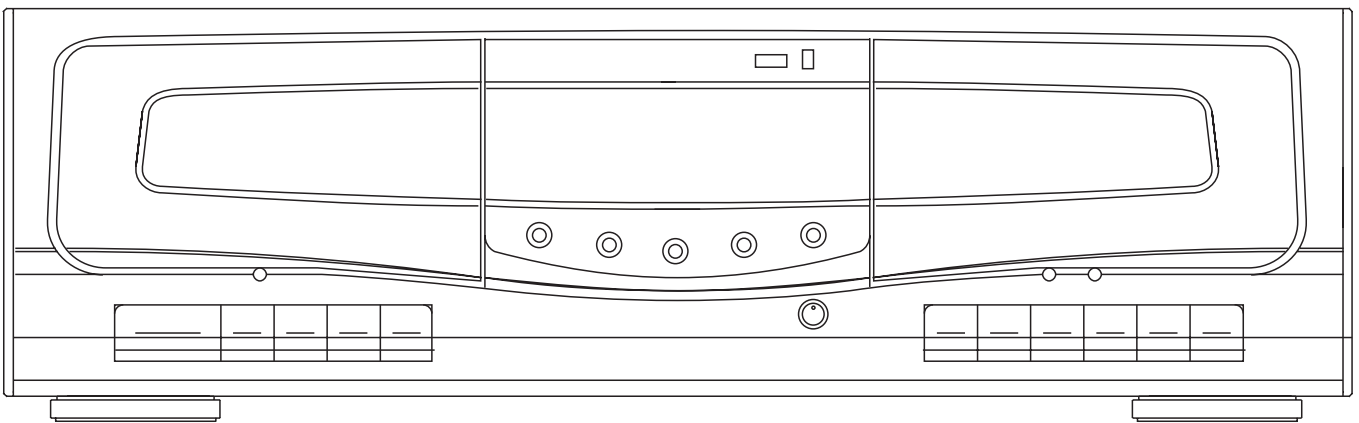




MECHANICAL DECK

PT-669D



Precautions

Thank you for purchasing this product. Taking time to read these operating instructions carefully before use will acquaint you fully with all its features and help ensure optimum performance.

- In order to simplify the explanation illustrations may sometimes differ from the originals.



The lightning flash with arrowhead symbol, within an equilateral, is intended to alert the user to the presence of uninsulated “dangerous voltage” within the product’s enclosure that may be of sufficient magnitude to constitute a risk of electric shock to persons.



The exclamation point within an equilateral triangle is intended to alert the user to the presence of important operating and maintenance (servicing) instructions in the literature accompanying the appliance.

WARNING: To prevent fire or shock hazard, do not expose this appliance to rain or moisture



Power plug

When disconnecting the power cord from the power outlet, always take hold of the plug, and not the wire, and pull free. Never connect or disconnect the power plug with wet hands since you may receive an electric shock.

Remember to disconnect the power plug from the power outlet when you do not intend to use the unit for a prolonged period of time.



Do not remove the case and bottom panel

Any inspections or adjustments inside the unit may lead to malfunctions and electric shocks. Do not touch any of the inside parts.



Do not block the ventilation holes

Do not block the ventilation holes on the top of the unit by placing records or other objects over them. This will increase the inside temperature may lead to a failure or malfunction.



Installation precautions

Do not install the unit in any of the following locations since this may result in deterioration in performance of malfunction:

- * Locations exposed to direct sunlight or near objects radiating heat such as heating appliances.
- * Locations exposed to moisture or humidity.
- * Locations with poor ventilation exposed to dust and dirt.
- * Locations which are unstable and not perfectly flat or which are susceptible to vibration.

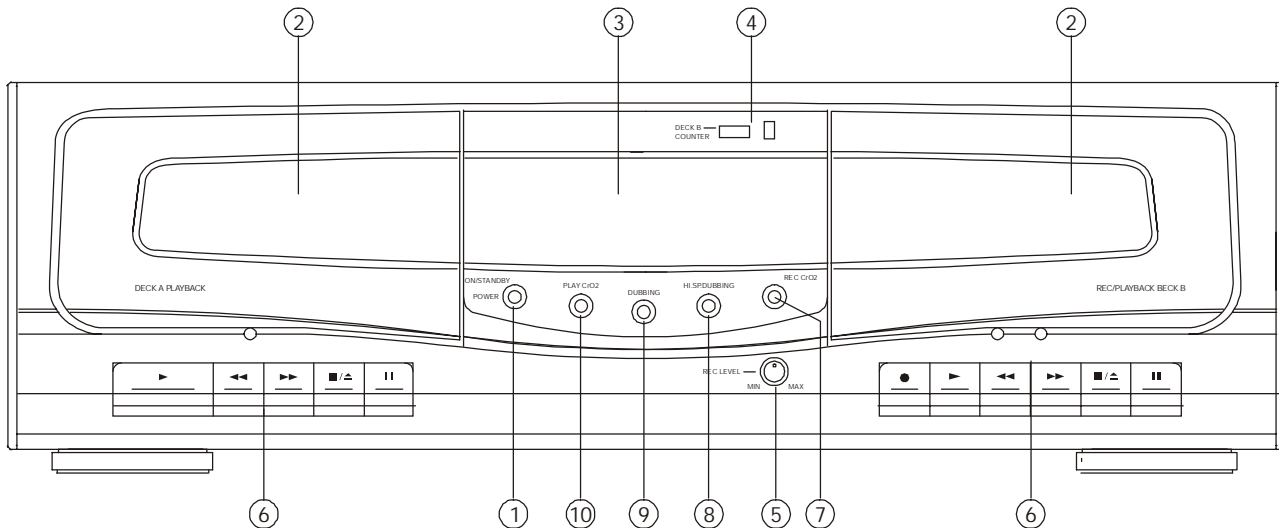


Do not wipe with thinners

Wipe the panels and case from time to time with a soft cloth. Using any kind of thinner, alcohol or volatile liquid will mar the surface, cause blotching on the exterior and erase the markings and should therefore be avoided. Do not use insecticide sprays in the vicinity.

Dripping warning: The product shall not be exposed to dripping or splashing and that no objects filled with liquids, such as vases, shall be placed on the product.

Panel Information



1. ON/STANDBY SWITCH

Press button to switch "ON" the unit and press again to switch "OFF" unit into "STANDBY MODE". If the unit is left unattended for long period, remove the plug from the power socket.

2. CASSETTE HOLDER

3. PEAK LEVEL INDICATOR

These indicate the recording level during recording and output level during playback. The LED indication varies with the signal strength during recording and playback.

* HIGH SPEED

This lights when in the high-speed dubbing.

* DYNAMIC NR

When you need the Dynamic noise reduction, push the level switch to the left.

* PLAY CrO2/METAL

This lights when the CrO2/metal function is operated.

* REC CrO2

This lights when CrO2 function is operated.

4. TAPE COUNTER AND RESET BUTTON (DECK B)

When recording or playing, you can use the tape counter to count the tape length.

5. REC LEVEL SWITCH

Adjust the record level.

6. CASSETTE OPERATION BUTTONS

● REC

This lights when deck B is in the recording the record-pause mode.

▶ (play): Press to play the tape.

◀◀ (rewind): Press to rewind the tape

▶▶ (fast forward):

Press to fast forward the tape.

■/▲ (stop/eject)

Press to stop the tape. Pressing this button after the tape stops opens the cassette holder.

|| (pause):

Press to temporarily stop the tape in the record or playback mode. Press it again to release the pause mode and restart the tape.

7. REC CrO2 SWITCH

For recording with CrO2 tape.

8. HIGH SPEED DUBBING SWITCH

When you need dubbing, press this switch and the relative light will be lit.

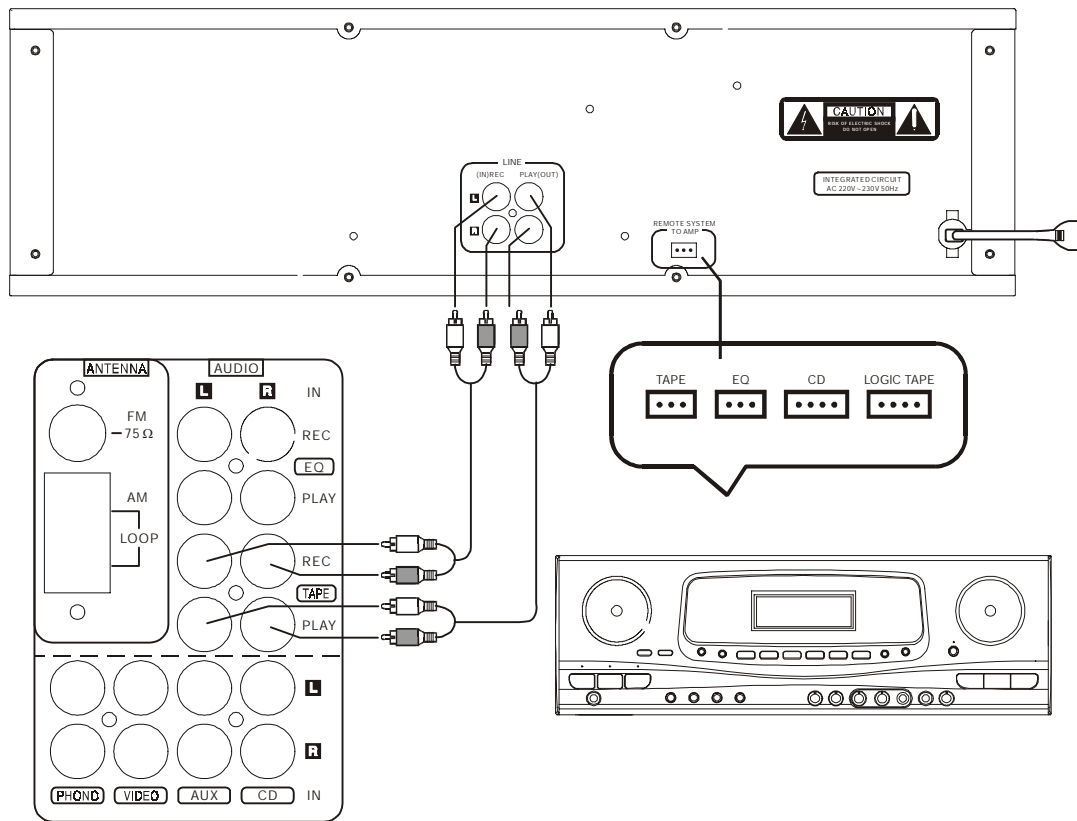
9. DUBBING SWITCH

Press the DUBBING switch to get set for further record functions meanwhile relative light will be indicated.

10. PLAY CrO2/METAL SWITCH

Set these switches to NORM when using normal tape, to CrO2 when using chrome tape, and to METAL when using metal tape.

Operating Procedures



Playback a recorded tape (DECK A or DECK B)

1. Switch on the power of the unit.
2. Press the Stop/Eject button and insert a recorded cassette tape. For CrO₂/metal tape, further press the CrO₂/metal switch and the light at the indicator will be lit up.
3. Press the PLAY button.
4. Adjust the Amplifier Volume and Graphid Equalizer controls for your desired sound level and taste.
5. Press the STOP/EJECT button to stop playback at any time.

Fast forward and rewind (Deck A or Deck B)

For fast winding or rewinding the tape, press the FFWD or REW button. Press the STOP/EJECT button when the desired location has been reached. When the end of the tape has been reached, the FFWD or REW button will be released automatically.

Pause (DECK A or Deck B)

Press the PAUSE button to momentarily stop tape travel during playback or recording. Re-press the button for pause release and playback or recording tape re-start.

Full automatic stop (Deck A or Deck B)

Press the STOP/EJECT button to stop playback (or recording) at any time. When the end of the tape has been reached, any of the PLAY, REC, REW or FFED buttons, if pressed, will be automatically released and the head block completely separates from the tape and capstan. This protects tape and prevents pinch roller wearing out.

Recording (Deck B): When recording use the Deck B.

Operating Procedures

Manually level control recording

This unit has record level volume to adjust the record level. Usually, the volume has a center click. When it reaches the center click position, the tape can be recorded normally. If the sound source signal is too strong, a red spot will be appeared in the record level indicator. You can adjust the record level volume to left position and vice versa. In normal state, the sound source level is between the red and green spots (that's 0dB).

1. Press the STOP/EJECT button and insert a cassette.
2. When CrO2 tape is used for recording, press the REC CrO2 switch.
3. Press the record button. The level meter at the peak level indicator will shift and the REC light will be lit up indicating that recording is underway.
4. Press the STOP/EJECT button to stop recording at any time.

Pause

Press the PAUSE button to momentarily stop tape travel during recording. Re-press the button to pause release and recording restart.

Dubbing operation (Deck A— ► Deck B)

This unit enables you to dub a recorded tape to another tape by using the built-in double deck mechanisms. It is performed only one way from the Deck A to Deck B.

Preparation

1. Insert a cassette for playback in DECK A.
2. Select tape DIRECTION button (FFWD or REW) for the desired location of the tape to the beginning.
3. Insert a cassette into DECK B.
4. Select the dubbing speed by the dubbing High speed switch.
5. There are two dubbing speeds: High speed and Normal speed. High speed doubles Normal speed.
6. For high speed dubbing, press High speed switch, the light in the indicator will be lit up and the high speed dubbing is then activated.
7. Normal speed dubbing requires no pressing of the High speed switch, and no light will be shown at the indicator at all.
8. Press the PAUSE button of DECK A.
9. Then, press the PLAY button of DECK A.
10. Press the RECORD button of DECK B.
11. Press the PAUSE button again of DECK A to release the pause mode. The unit will start the synchronized dubbing operation.
12. To stop dubbing operation, press the STOP/EJECT button of DECK B.

Note: Do not change dubbing speed during dubbing operation.

Specifications

Type	Stereo double cassette deck	Motors	DC servo motor x 2
Track system	4-track 2-channel	Fast Forward/Rewind time	Approx. 100 Sec. with C-60 cassette
Tape speed	4.8 cm/sec	Input terminals	
		LINE IN x 2	Min. input level: 80mV Input impedance: 50kΩ
Frequency response (-20dB recording)		Output terminals	
Chrome tape	40-15,000Hz (±3dB)	LINE OUT x 2	Output: 600mV (0dB) Output impedance: 5kΩ
Normal tape	40-14,000 Hz (±3dB)		
(0dB recording)		Power requirement	AC 220V ~50Hz
Chrome tape	40-8,000 Hz (±3dB)	For U.K	240V ~50Hz
Normal tape	40-8,000 Hz (±3dB)	For U.S.A. & Canada	110V ~60Hz
S/N ratio	58dB	Power consumption	10W
Wow and flutter	<0.2% (DN 45500)	Dimensions	420mm x 130mm x 220mm (W x H x D)
Crosstalk	40dB (1KHz)	Weight	4Kg (8.5lbs)
Harmonic distortion	Less than 1% (at 1KHz, OVU 3 rd H.D, Normal tape)	ACCESSORIES	Pin plug cord...2
Channel separation	40dB (1KHz)		
Head	Deck A for Auto playback) Deck B for recording/playback, 2-gap ferrite head for erasure.)		

Design and specifications are subject to change without notice.



MADE IN CHINA

Free Manuals Download Website

<http://myh66.com>

<http://usermanuals.us>

<http://www.somanuals.com>

<http://www.4manuals.cc>

<http://www.manual-lib.com>

<http://www.404manual.com>

<http://www.luxmanual.com>

<http://aubethermostatmanual.com>

Golf course search by state

<http://golfingnear.com>

Email search by domain

<http://emailbydomain.com>

Auto manuals search

<http://auto.somanuals.com>

TV manuals search

<http://tv.somanuals.com>