



PWMA-830
OPERATING INSTRUCTIONS

**SINGLE VHF WIRELESS
BATTERY POWERED PA SYSTEM
WITH ECHO, CASSETTE & DVD/VCD/CD-G/CD**



www.pyleaudio.com

WARNING:

- * To prevent fire or shock hazard, do not expose the unit to rain or moisture.
- * To avoid electrical shock caused by the risk components and radium laser set, do not open the cabinet. Refer servicing to qualified personnel only.

PRECAUTIONS:

- * This is a professional high-end home appliance that contains a large scale of integrated circuit and laser set.
- * To extend the usage time, keep the interval between the open and the close of the unit no less than 10 seconds.
- * Please keep the DVD/MP3/VCD/CD-G/CD player power off during the connecting or the unit will be not wed for a long time.

MAINTAIN ATTENTION

- * Do not use the system where it may be subjected to:
 - direct sunlight or near the heat radiators
 - on the heat sources
 - excessive dust or bad ventilation property
 - excessive humidity or rain
 - mechanical or other vibrations
- * When excessive dusts cling to the DVD/MP3/VCD/CD-G/CD player, please have it cleaned by laser-cleaning disc as well as the cleaning tape that used to wipe out the dust from the tape deck.
- * Just clean the unit by the cotton with little scour instead of sand paper, alcohol and gas etc.
- * To avoid the damage of the unit, do not use the anamorphic or worn disc.
- * Do not use the bad tape.

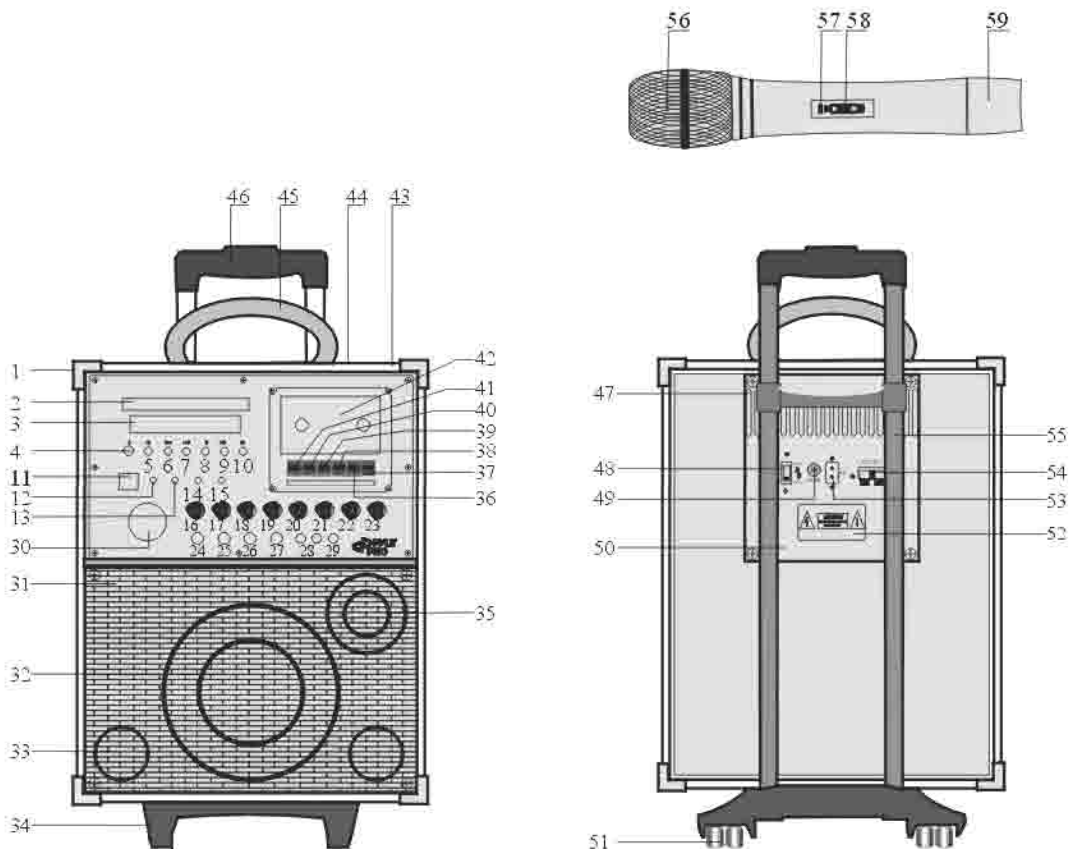
ATTENTION FOR POWER SUPPLY

- * Be sure to the correct power supply.
- * Should catch hold of the plug of the cable when connect or disconnect the power socket.
- * Be sure to the correct connection of all the power cable before power on.
- * Remove the volume control of the amplifier to the minimum before power on, and then adjust to the suitable level as per your request to avoid the damage of the amplifier or speaker.
- * Make sure to pull out the plug from the power socket while not use the unit for a long time.

ATTENTION FOR REPAIR

- * Do not open the DVD/MP3/VCD/CD-G/CD player. Refer to repair matter, please contact local dealer.
- * Be sure to power off before opening the cabinet of the unit.

FIGURE



1. Metal corner for protection
2. Compartment for DVD/MP3/VCD/CD-G /CD PLAYER
3. LED screen for DVD/MP3/VCD/CD-G/ CD PLAYER
4. DVD/MP3/VCD/CD-G/CD power indicator
5. Open/close button for DVD/MP3/ VCD/ CD-G/CD PLAYER
6. DVD/MP3/VCD/CD-G/CD PLAYER button for previous
7. VCD/CD-G/CD PLAYER button for next
8. Track button
9. play/pause button for DVD/MP3/VCD/ CD-G/CD PLAYER
10. Stop button for DVD/MP3/ VCD/CD-G /CD PLAYER
11. Power switch for amplifier
12. Power indicator for amplifier
13. Low battery indicator
14. Charge indicator
15. RF signal indicator
16. Volume control for W/Mic 1
17. Volume control for Mic 2
18. Volume control for guitar
19. Audio volume control
20. CD/TAPE volume control
21. Echo control
22. Bass control
23. Treble control
24. Input jack for Mic 1
25. Input jack for Mic 2
26. GUITAR INPUT 1
27. Audio input jack
28. Audio L/R output jacks on the front panel
29. Video output jack
30. Main volume control for amplifier
31. Metal shield for sound box
32. Woofer
33. Exhaust pipe
34. Stand for sound box
35. Tweeter
36. Open/close button for tape
37. Pause button for tape
38. Forward button for tape
39. Rew button for tape
40. Play button for tape
41. Record button for tape
42. Cassette holder
43. Sound box
44. Cloth for sound box
45. Handle for sound box
46. Trailer handle
47. Heating Pane
48. Voltage Selector Switch
49. Ac Fuse
50. Rechargeable Battery Cover
51. Truckle Of Trailer
52. Parameter label
53. 2PIN Power Socket
54. External DC Input Jack
55. Trailer pole
56. Mic Head
57. RF Indicator Of Handheld Mic
58. Power Switch Of Handheld Mic
59. Battery Housing Of Handheld Mic

GENERAL DESCRIPTIONS

1. Multi-functional portable wireless amplifier and wireless karaoke system, which enjoys pure & perfect sound and everlasting quality, is characterized by the simple and convenient operation.
2. The system is equipped with VHF wireless microphone transmitter & receiver
3. To a built-in 3 " tweeter & a 8 " woofer and DVD/MP3/VCD/CD-G/CD-PLAYER/MP3/CDR, TAPE & TAPE RECORDER assembled, it owes the excellent power output and will be your best choice.
4. The system is perfect for Karaoke, conference, training, auditorium, hotel, church & teaching etc that engages inside or outside.
6. The system is equipped with headset mic & bodypack transmitter, and the hand-held mic is optional to you. Normally the effective distance is 50 meters.
7. Can connect three wired mic at the same time and volume of the mic can be adjusted according to your request.
8. Treble and bass control is supplied.
9. Echo control is supplied.
10. Including two lines of guitar input, volume can be adjusted by main volume control.
11. CD/TAPE IN volume control is supplied.
12. Audio/Video input and output jacks are installed on the front panel for your choice, while Audio/Video output jacks are installed on the rear panel.
13. Main volume control for amplifier is supplied.
14. Can record the voice and music that come from the amplifier by recorder.
15. Additional trailer is equipped for your convenience.

PARAMETER

AMPLIFIER

Power supply: AC220V/50Hz AC110V/60Hz
including a built-in 12V/7AH rechargeable battery.

Frequency response: 35Hz-20KHz

SPL: 94dB(1W/M)

T.H.D: <1%

PARAMETER

Input wired mic:	-58dBV600
Speaker:	8 " woofer,3 " tweeter
RMS power:	185W
Input jack:	2×1/4 " wired mic jack, 1×1/4 " GUITAR IN jack 1×Audio/Video input jack
Output jack:	3×RCA×(VIDEO+L/R AUDIO) jack

RECEIVER

Carrier frequency range:	177-193MHz
RF sensitivity:	≤-101dB
Image rejection:	≥60dB
S/N ration:	≥65dB
Operation range:	100 ft

TRANSMITTER

Carrier frequency range:	177-193MHz
RF power output:	≤10mW
Modulation level:	15K
Operation temperature:	-18°C ~60°C
Power supply:	9V
Unit Battery Life:	Approx. 5 Hours
Mic Battery Life:	Approx. 45 Hours

OPERATION

1. Make sure the power supply

A.For AC power

- ① Connect the power socket of the unit and AC power socket with the supplied cable.
- ② Power on DVD/MP3/VCD/CD-G/CD player & the amplifier and both of red indicators come that indicates the system is under the situation.
- ③ 110/220V voltage switchable

B. For built-in rechargeable battery

- ① Should exist enough energy for rechargeable battery, do not connect AC power socket.
- ② Power on the DVD/MP3/VCD/CD-G/CD player & the amplifier and both of red indicators come that means the system can be operated now.

③ If the low voltage indicator on the back of the unit is red, it indicates insufficient voltage and need to charge it right now.

C. Charge by built-in rechargeable battery

① Connect the power socket of the unit and AC power socket with the supplied cable.

② The charge indicator will turn from red to green that means it has got the sufficient voltage.

③ The charge time should be 8-10 hours.

2. For DVD/MP3/ VCD/CD-G/CD PLAYER

① Turn on the amplifier and the red indicator will be light.

② Power on DVD/MP3/VCD/CD-G/CD PLAYER and the red indicator comes.

③ Open the compartment of DVD/MP3/VCD/CD-G/CD by pressing OPEN/CLOSE button and insert the disc, DVD/MP3/VCD/ CD-G/CD PLAYER is under the situation once press OPEN/CLOSE button again.

④ Connect the VIDEO output jack on either side of the unit and TV, the picture will be transferred from DVD/MP3/VCD/CD-G/CD PLAYER to TV screen.

⑤ Adjust main volume controls of the amplifier and CD/TAPE to the suitable level.

⑥ Adjust treble control and bass control as per your request.

⑦ Press the previous button for previous song.

⑧ Press the next button for next song.

⑨ Press pause button for pause.

⑩ Press stop button for stopping.

⑪ Press track button if accompany with Karaoke.

3. For TAPE/TAPE RECORDER

① Insert the tape into cassette holder after press STOP/EJECT button, and then press PLAY button to enjoy the tape.

② Just adjust volume controls of the amplifier and CD/TAPE to the suitable level.

③ Treble and bass control adjustment depends on your request.

4. For wire mic

① Two wire mic jacks just used for two at the same time.

② Insert the wire mic to MIC input jack separately.

③ Adjust echo control as per your request.

④ Remove the volume control of each mic to the proper position.

5. For wireless mic

- ① The receiver can feedback the signals from wireless mic immediately once switch on it.
- ② Insert a 9V battery into the transmitter and power on; the power indicator as well as RF indicator of the system will light. This means that you can operate it now.
- ③ Just adjust echo control to the suitable level.
- ④ Treble and bass control can be adjusted according to your request.
- ⑤ Remove the volume control of Mic to the proper position.
- ⑥ Adjust the main volume control, wire/wireless volume control & CD/TAPE volume control, in order to get the perfect Karaoke effect.

6. Play and record by DVD/MP3/VCD/CD-G/CD PLAYER and TAPE RECORDER

- ① Insert the plain tape after open the cassette holder.
- ② Power on the amplifier.
- ③ Adjust the wired mic
- ④ Power on DVD/MP3/VCD/CD-G/CD or wireless microphone to the suitable level PL AYER
- ⑤ Now you can sing while enjoy the music.
- ⑥ Should record, just press REC & PLAY button simultaneously.

7. Connect outside music

If you want to play guitar, just plug the cable into GUITAR IN, volume can be adjusted by main volume control.

8. Connect external AUDIO/VIDEO devices

AUDIO/VIDEO input and output jacks that are AUDIO/VIDEO L/R installed on the front panel for your choice. Connect external AUDIO/VIDEO devices with AUDIO/VIDEO input jacks by proper cables, the signed will be transmitted to other AUDIO/VIDEO devices by AUDIO/VIDEO output jacks.

Free Manuals Download Website

<http://myh66.com>

<http://usermanuals.us>

<http://www.somanuals.com>

<http://www.4manuals.cc>

<http://www.manual-lib.com>

<http://www.404manual.com>

<http://www.luxmanual.com>

<http://aubethermostatmanual.com>

Golf course search by state

<http://golfingnear.com>

Email search by domain

<http://emailbydomain.com>

Auto manuals search

<http://auto.somanuals.com>

TV manuals search

<http://tv.somanuals.com>