



## **PWMA1080I Owners Manual**

---

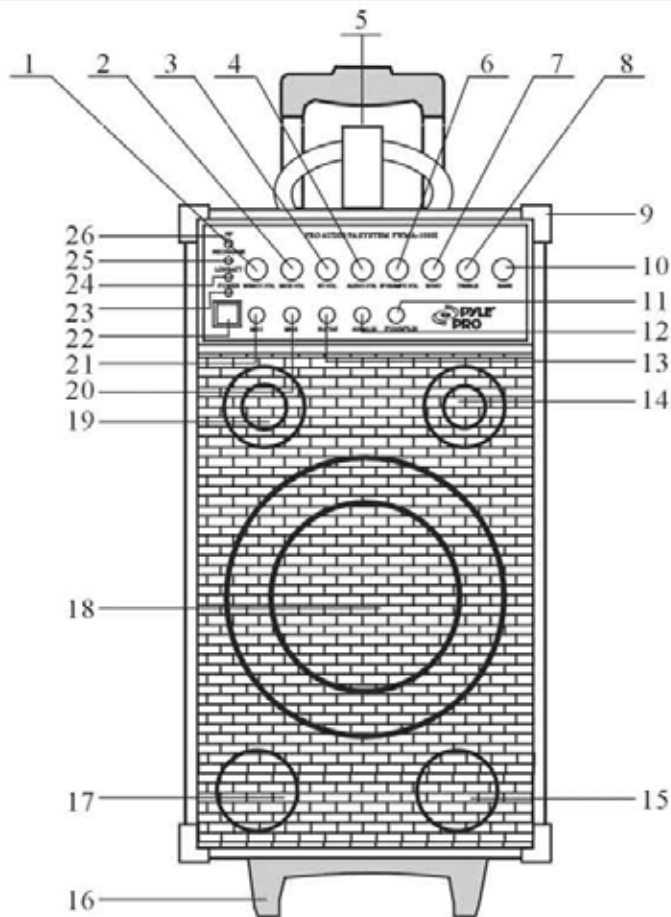
### **800W VHF WIRELESS PORTABLE PA SYSTEM/ECHO W/IPOD DOCK**



[www.pyleaudio.com](http://www.pyleaudio.com)

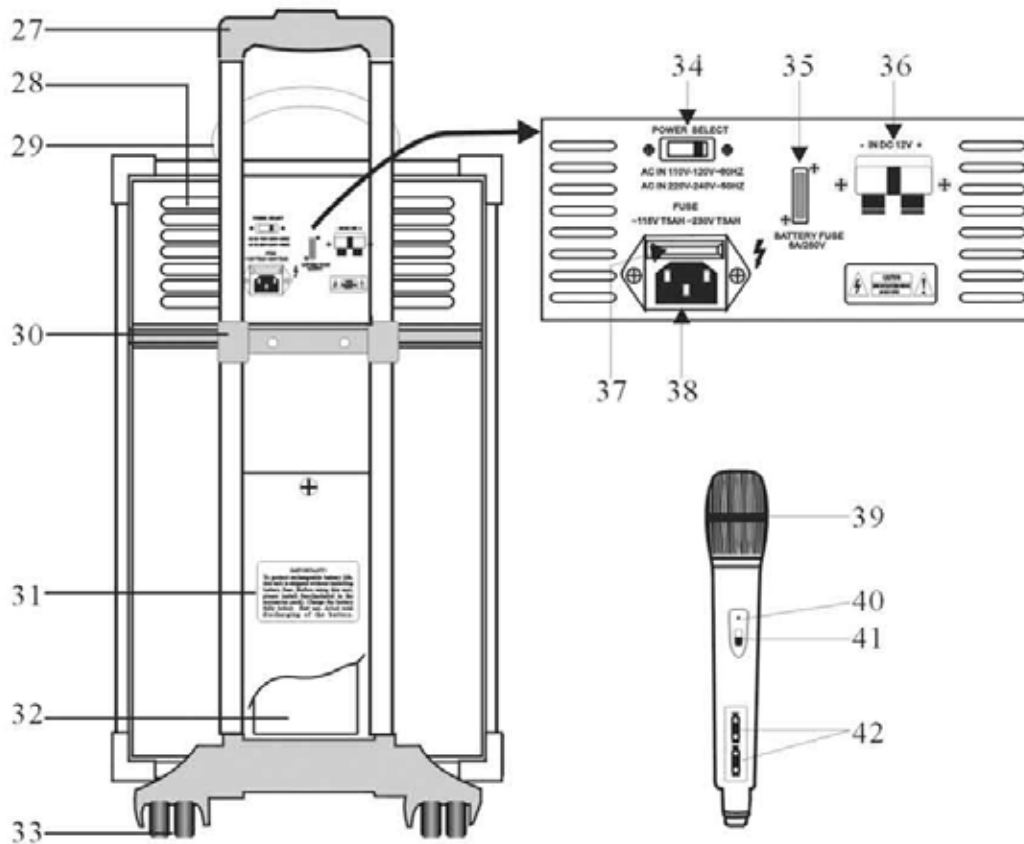
**SYSTEM FUNCTION FIGURE**

- |  |                              |
|--|------------------------------|
| 1. Wireless Mic/MIC1<br>Volume Control | 10. Bass Control             |
| 2. MIC2 Volume Control                 | 11. Ipod/MP3 Input Jack      |
| 3. Guitar Volume Control               | 12. Audio Input Jack         |
| 4. Audio Volume Control                | 13. Guitar Input Jack        |
| 5. Ipod Dock                           | 14. Mid                      |
| 6. Ipod/MP3 Volume Control             | 15. Vent Hole                |
| 7. Echo Control                        | 16. Fixed Stand For The Unit |
| 8. Treble Control                      | 17. Vent Hole                |
| 9. Metal Corner                        | 18. Woofer Speaker           |
|  | 19. Tweeter                  |



## SYSTEM FUNCTION FIGURE

- |                                     |                                    |
|-------------------------------------|------------------------------------|
| 20.MIC2 Input Jack                  | 31.Battery Cover                   |
| 21.MIC1 Input Jack                  | 32.7AH/12V Rechargeable Battery    |
| 22.Power Switch                     | 33.Truckle Of Trailer              |
| 23.Power Indicator                  | 34.Voltage Selector Switch         |
| 24.Low Voltage Indicator            | 35.Battery Fuse                    |
| 25.Charge Indicator                 | 36.DC Input Jack                   |
| 26.RF Indicator For<br>Wireless Mic | 37.AC Fuse                         |
| 27.Trailer Handle                   | 38. Power Socket                   |
| 28.Heating Pane                     | 39.Mic Head                        |
| 29.Handle                           | 40.RF Indicator Of Handheld Mic    |
| 30.Fixed Stand For The Trailer      | 41.Power Switch Of Handheld Mic    |
|                                     | 42.Battery Housing Of Handheld Mic |



## INSTRUCTIONS

### 1. Confirm the power

- ① AC Power: Before operation, please confirm the voltage is same as the specified one marked on the label. If not, the unit will be damaged.
- ② Built-in Rechargeable Battery: You needn't plug-in the AC power when the voltage for rechargeable battery is enough but use the battery directly.
- ③ When the Low Voltage Indicator comes yellow, it indicates the battery voltage is not enough, please charge it in time.
- ④ When the Low Voltage Indicator comes out, it indicates the voltage is standard now.
- ⑤ If the unit is not used for a long time, please charge the rechargeable battery every 2 months, 8-10 hours for each time.

### 2. Operation instructions:

- ① Plug the power cable into the socket and connect it with this amplifier system.
- ② Switch on the amplifier, the Power Indicator comes red.
- ③ During charging, RECHARGE indicator comes red, when the indicator flashing, that means battery is almost full while it is ready all indicators will off.
- ④ During charging, you can play music at the same time, then RECHARGE indicator will flashing with the current consumption indicating the speed of charge. Charge time is in direct proportion to the volume of music. When the battery is full, RECHARGE indicator will stop flashing and then off.
- ⑤ Put two AA 1.5V battery into handheld microphone (bodypack transmitter), push the Power Switch to middle, the Power Indicator will flash once, RF Indicator comes on green, the speakers are quiet.

## INSTRUCTIONS

- ⑥ Push the Power Switch of handheld microphone (bodypack transmitter) to ON position, your sound can be heard from amplifier when speaking. Adjust the Volume Control/Echo Control/Treble Control/Bass Control to proper position to avoid feedback.
- ⑦ If the Power Indicator of microphone (bodypack transmitter) comes on at all times, it indicates the battery lack of power, please replace the battery.
- ⑧ Connect relative cable of guitar with Guitar Input Jack on this system, you can play wonderful music.
- ⑨ IPOD Dock: Connect IPOD to IPOD dock, you can press "Play", "Pause", "Pre" and "Next" keys to control it. And unit will charge IPOD automatically once it is connected to the dock till IPOD battery is full so that no need to press "Charge" key to get IPOD charged. During charging, you can play IPOD at the same time.

### 3. Wired Microphone:

- ① Two way wired microphone input jacks are supplied for two people us simultaneously.
- ② Plug Wired microphones into the jacks separately.
- ③ Adjust Echo Control to get better sound.
- ④ Adjust the volume of each microphone to make sure the sound is satisfactory.

## PARAMETER

### AMPLIFIER

Power supply:	<input type="checkbox"/> AC200V/50Hz <input type="checkbox"/> AC110V/60Hz including a built-in 12V7AH rechargeable battery
Frequency response:	35Hz-20KHz
SPL:	94dB (1W/M)
T.H.D:	<1%
Input wired mic:	-58dBV 600
Speaker:	10 " Woofer, Mid and Tweeter
RMS Power:	400W
Input jack:	2 X 1/4 " wired mic jack, 1 X 1/4 " GUITAR IN jack 1 X Audio input jack, 1 X 1/4 " IPOD/MP3 input jack

### RECEIVER

### TRANSMITTER

Carrier frequency range:	170-216 MHz
RF power output:	≤10mW
Modulation level:	15K
Operation temperature:	-18°C-60°C
Power supply:	3V
Unit Battery Life:	Approx.3 Hours
Mic Battery Life:	Approx.45 Hours



[www.pyleaudio.com](http://www.pyleaudio.com)

718.535.1800 718.236.2400 (fax)  
1600 63rd Street, Brooklyn NY 11204

## Free Manuals Download Website

<http://myh66.com>

<http://usermanuals.us>

<http://www.somanuals.com>

<http://www.4manuals.cc>

<http://www.manual-lib.com>

<http://www.404manual.com>

<http://www.luxmanual.com>

<http://aubethermostatmanual.com>

Golf course search by state

<http://golfingnear.com>

Email search by domain

<http://emailbydomain.com>

Auto manuals search

<http://auto.somanuals.com>

TV manuals search

<http://tv.somanuals.com>