

PYLE[®] PRO

PYD2200/2300U 5 channel professional mixer

OWNER'S
MANUAL



owner's manual

IMPORTANT SAFETY INSTRUCTIONS

1. **Read Instructions** — All the safety and operating instructions should be read before the appliance is operated.
2. **Retain Instructions** — The safety and operating instructions should be retained for future reference.
3. **Heed Warnings** — All warnings on the appliance and in the operating instructions should be adhered to.
4. **Follow Instructions** — All operating and use instructions should be followed.
5. **Water and Moisture** — The appliance should not be used near water -for example, near a bathtub, washbowl, kitchen sink, laundry tub, swimming pool, or a wet basement.
6. **Ventilation** — The appliance should be situated so that its location or position does not interfere with its proper ventilation. For example, the appliance should not be situated on a bed, sofa, rug, or similar surface that may block the ventilation openings: or placed in a built-in installation, such as a bookcase or cabinet that may impede the flow of air through the ventilation openings.
7. **Heat** — The appliance should be situated away from heat sources such as radiators, heat registers, stoves, or other appliances (including amplifiers) that produce heat.
8. **Power Sources** — The appliance should be connected to a power supply only of the type described in the operating instructions or as marked on the appliance.
9. **Grounding or Polarization** — Precaution should be taken to insure that the grounding or polarization means of an appliance is not defeated.
10. **Power-Cord Protection** — Power supply cords should be routed so that they are not likely to be walked on or pinched by items placed upon or against them, paying particular attention to cords at plugs, convenience receptacles, and the point at which they exit from the appliance.
11. **Cleaning** — The appliance should be cleaned only as recommended by the manufacturer.
12. **Power Lines** — An outside antenna system should not be located in the vicinity of overhead power lines or other electric light or power circuits, or where it can fall into such power lines or circuits. When installing an outside antenna system, extreme care should be taken to keep from touching such power lines or circuits as contact with them might be fatal.
13. **Nonuse Periods** — The power cord of the appliance should be unplugged from the outlet when the appliance is to be left unused for a long period of time.
14. **Object and Liquid Entry** — Care should be taken so that objects do not fall and liquids are not spilled into the enclosure through openings.
15. **Carts and Stands** — If the appliance is used with a cart or stand, the cart or stand should be a type recommended by the manufacturer.
An appliance and cart combination should be moved with care. Quick stops, excessive force, and uneven surfaces cause the appliance and cart combination to overturn.
16. **Mounting** — The appliance should be mounted only as recommended by the manufacturer.
17. **Damage Requiring Service** — The appliance should be serviced by qualified service personnel when:
 - A. The power-supply cord or plug has been damaged.
 - B. Objects have fallen into, or liquid has been spilled into the appliance enclosure.
 - C. The appliance has been exposed to rain.
 - D. The appliance has been dropped, or the enclosure damaged.
 - E. The appliance does not appear to operate normally or exhibits a marked change in performance.
18. **Servicing** — The user should not attempt to service the appliance beyond that described in the user's operating instructions. All other servicing should be referred to qualified personnel.
19. **Overloading** — Do not overload wall outlets and extension cords as this can result in a risk of fire or electric shock.
20. **Replacement Parts** — When replacement parts are required, be sure the service technician has used replacement parts specified by the manufacturer or have the same characteristics as the original part. Unauthorized substitutions may result in fire, electric shock or other hazards.
21. **Safety Check** — Upon completion of any service or repairs to this appliance, ask the service technician to perform safety checks to determine that the appliance is in proper operating condition.



<p>WARNING: To reduce the risk of fire or shock hazard, do not expose this product to rain or moisture.</p>	<p>This symbol is intended to alert you to the presence of un-insulated dangerous voltage within the products enclosure that might be of sufficient magnitude to constitute a risk of electric shock. Do not open the products case.</p>
<div style="display: inline-block; text-align: center; background-color: black; color: white; padding: 2px 10px; font-weight: bold;">CAUTION</div> <p>RISK OF ELECTRIC SHOCK DO NOT OPEN</p>	<p>This symbol is intended to inform you that important operating and maintenance instructions are included in the literature accompanying this product.</p>
<p>CAUTION: To reduce the risk of electric shock, do not remove cover or back. No user-serviceable parts inside. Refer servicing to qualified personnel.</p>	

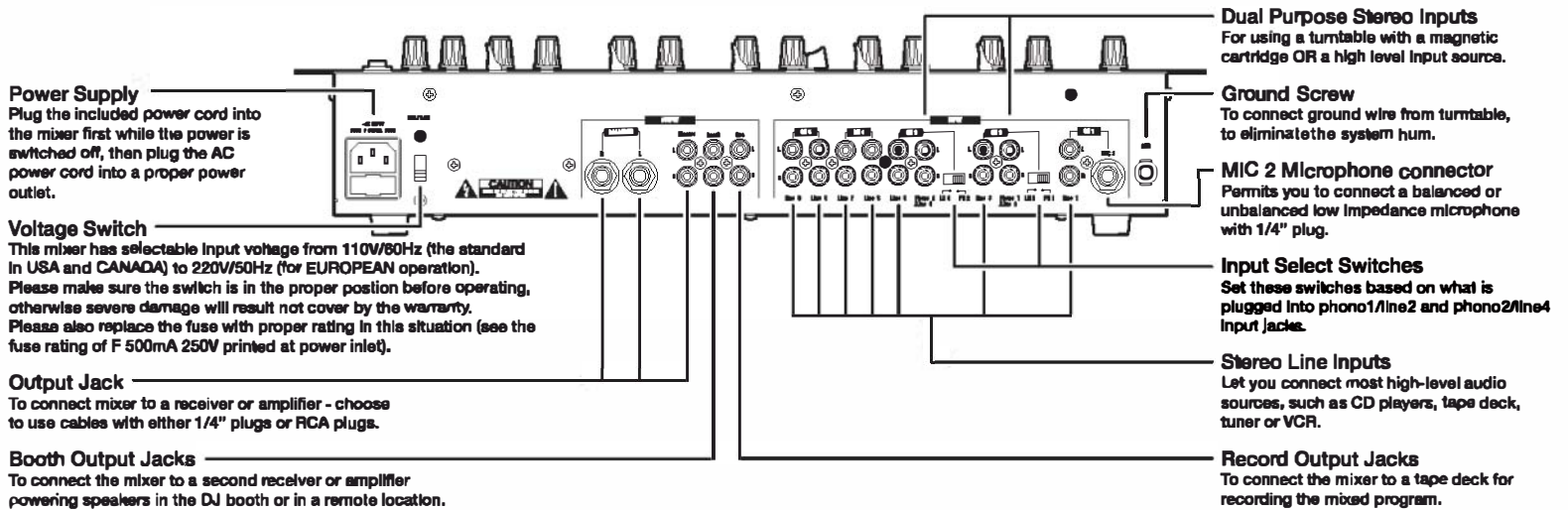
Your PYLE PRO Series Performance Mixer

is a sophisticated control center, perfect for mixing sound from multiple playback sources such as microphones tuners, CD players, turntables or the audio outputs from a VCR. This mixer is ruggedly constructed for home or professional use. Wide range volume controls, permit you to adjust sound levels accurately to achieve just the right mix for playing through your speakers system or for recording.

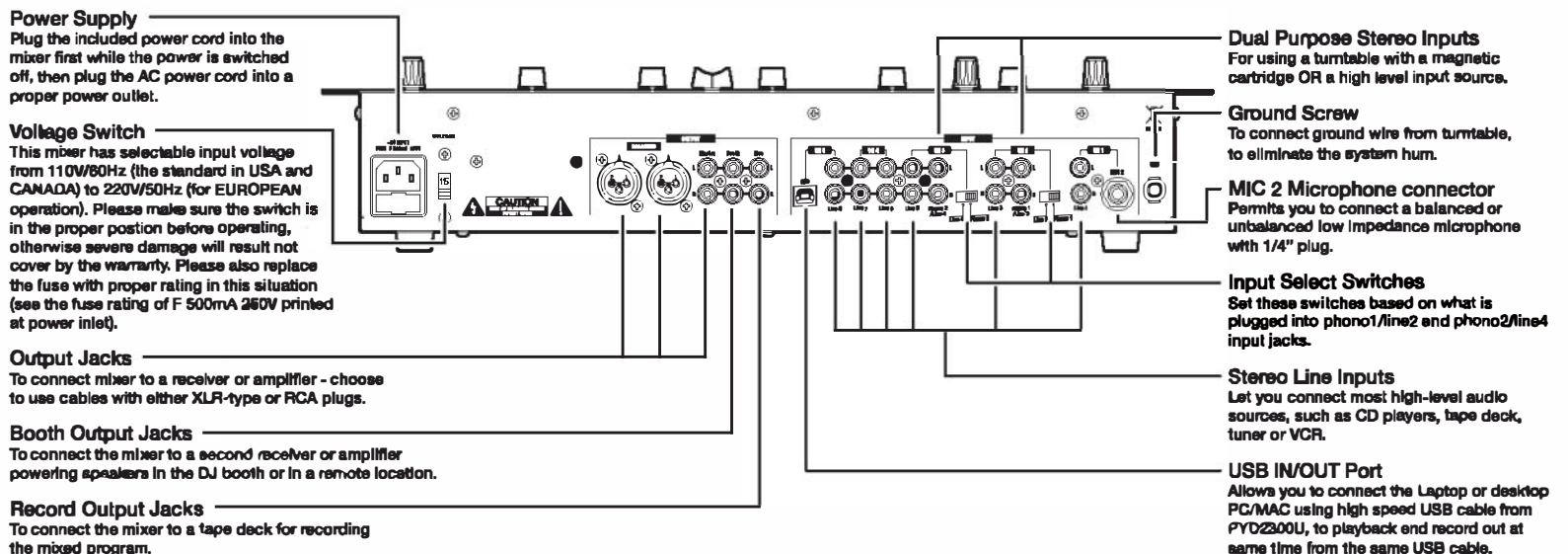
Please read this manual thoroughly before you attempt to set up and use the mixer. It contains a range of suggestions and instructions to insure safe usage. Set up and used properly, you can expect years of trouble-free service from this product.

Input/Output Features

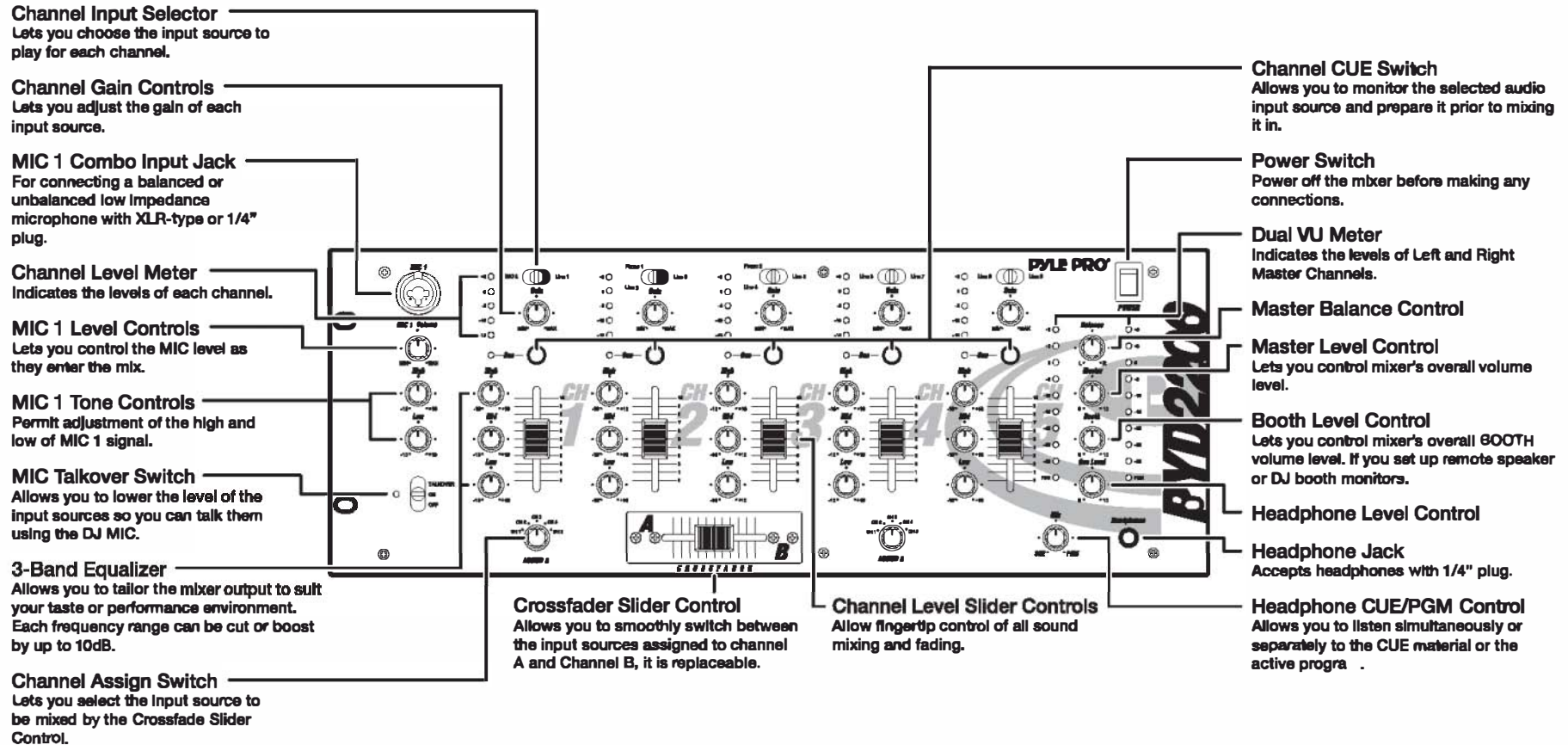
PYD2200



PYD2300U

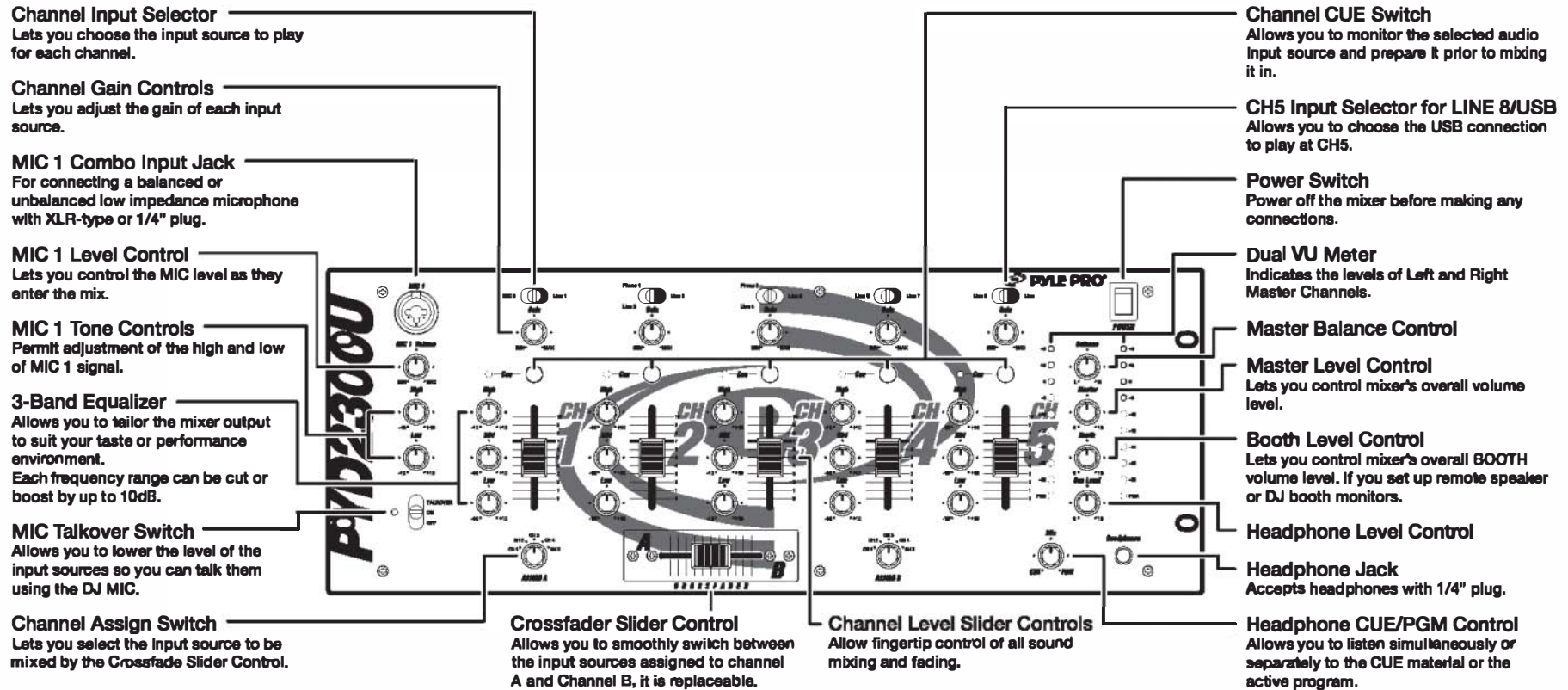


PYD2200



PYD2300U

Features and Controls:



USB OPERATION:

The input selection at CH5 allows you to choose the USB connection to play at CH5.

ON PC

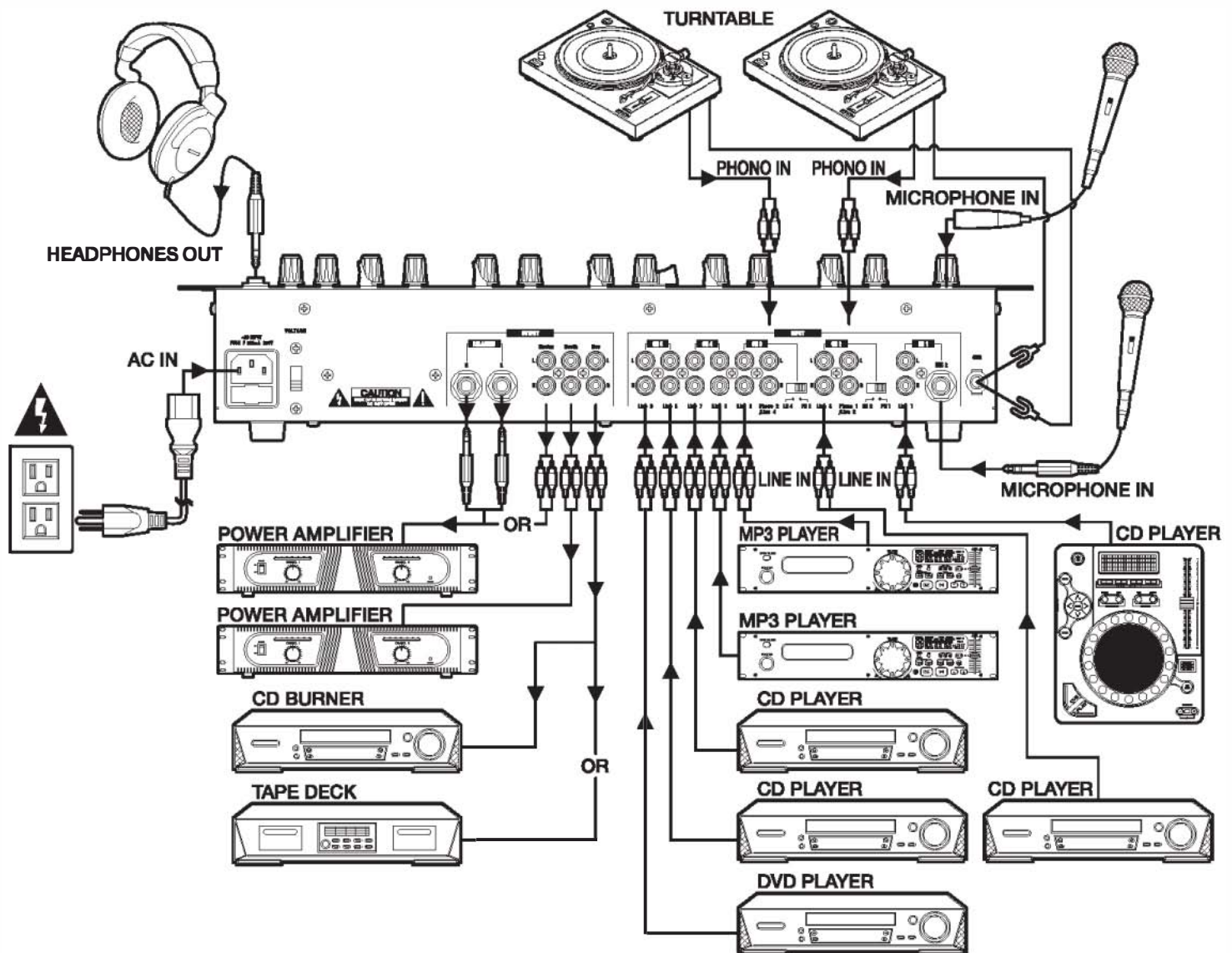
1. Turn on the computer and PYD2300U
2. Connect USB cable from port of mixer to your computer.
3. The window will recognize the mixer as a "USB AUDIO DEVICE" or "USB AUDIO CODEC", and install any required system components. automatically.
4. Open the START menu and go to CONTROL PANEL, click on the SOUND AND AUDIO DEVICES ICON, to change system audio preferences in Window.
5. Click on the AUDIO tab, to access audio device settings.
6. Choose the USB AUDIO CODEC as a DEFAULT DEVICE.
7. Click on APPLY and you are ready to use the PYD2300U with your PC.

ON MAC

1. Turn on the computer and PYD2300U
2. Connect USB cable from port of mixer to your computer.
3. Open SYSTEM PREFERENCES under APPLE menu.
4. Choose the SOUND icon in SYSTEM PREFERENCES.
5. Choose the OUTPUT tab in the SOUND window.
6. Select USB AUDION CODEC under CHOOSE A DEVICE FOR SOUND OUTPUT.
7. Repeat the procedure for the INPUT tab and you are ready to use PYD2300U with your MAC.

Connection Diagram:

PYD2200



This mixer permits connection of up to eleven (11) audio input sources, including two microphones. Such a system might include, for examples:

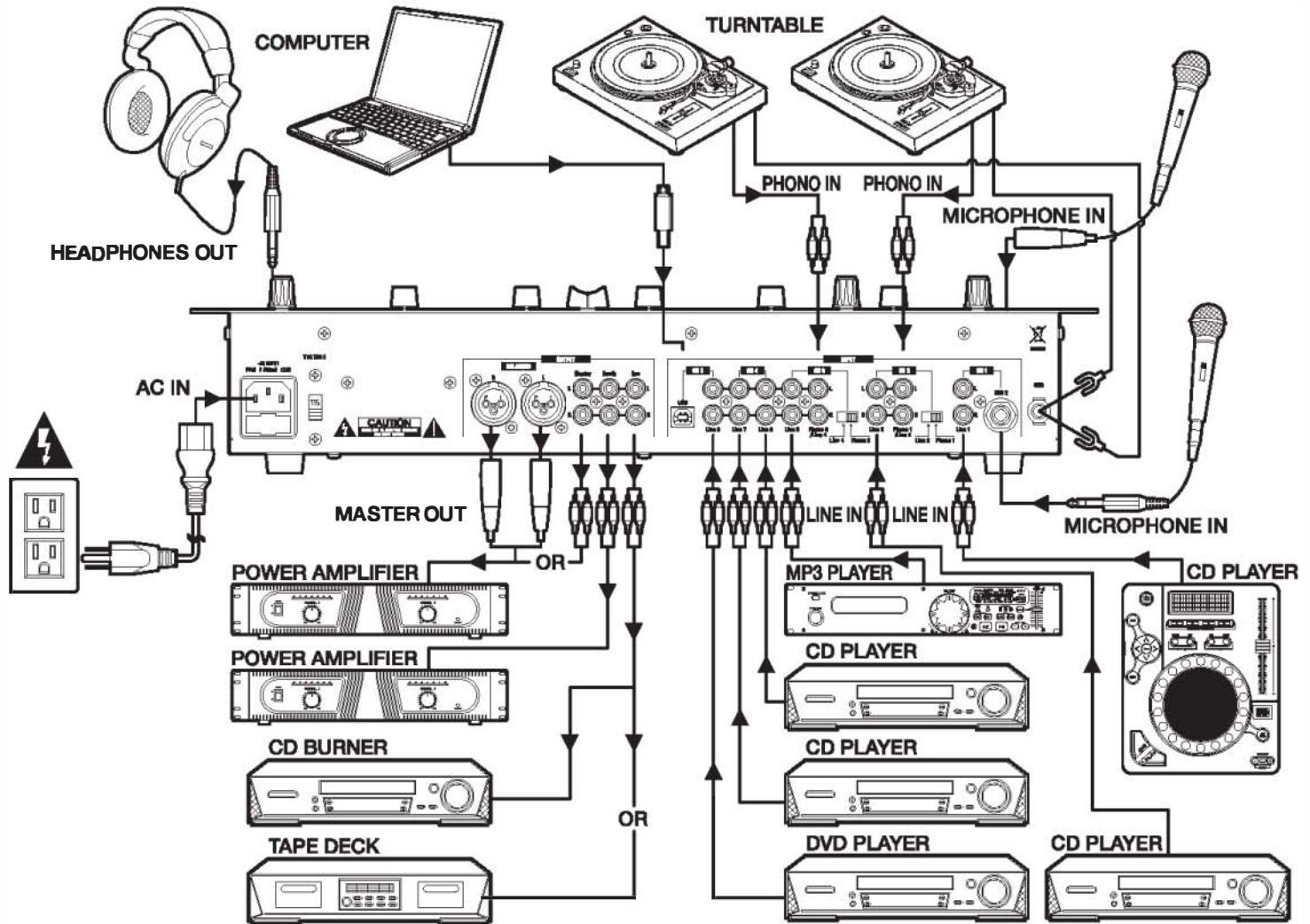
Two Microphones
Two Turntables
Seven CD Players

Two Microphones
Nine CD Players

Two Microphones
Two Turntables
Four CD Players
Three Cassette Decks

Connection Diagram:

PYD2300U



▼ Please complete warranty card, detach and return ▼

This mixer permits connection of up to eleven (11) audio input sources, including two microphones. Such a system might include, for examples:

Two Microphones
Two Turntables
Six CD Players
One USB Port

Two Microphones
Eight CD Players
One USB Port

Two Microphones
Two Turntables
Three CD Players
Three Cassette Decks
One USB Port

Place
Stamp
Here

PYLE[®]
PYLE PRO
PYLE PRO Audio, Inc.
1600 63rd Street
Brooklyn, NY 11204

Specifications

PYD2200/2300U

Input Sensitivity/Impedance

MIC 1.5 mV/600 Ohms Balanced
Phono 1-2 3.0mV/50K Ohms
Line 150 mV/27K Ohms

Output Level

Master 2.0 V/10K Ohms
Booth 2.0 V/10K Ohms
Record 150 mV/10K Ohms

Frequency Response 20Hz - 20kHz +/- 3 dB

S/N Ratio (at 1 kHz)

Mic 60 dB/1.5mV input
Phono 70 dB/3.0mV input
Line 80 dB/150.0mV input

Distortion

Mic 0.20%
Phono 0.05%
Line 0.03%

Tone Control

Treble 10kHz; +10/-10dB
Mid 1 KHz; +10/-10dB
Bass 100Hz; +10/-10dB

MIC Tone Control

High 10 kHz; +10/-10dB
Low 100Hz; +10/-10dB

Talkover Attenuation .. -16dB

Power Source 120 VAC,60Hz/230 VAC,50Hz

Dimensions, inches (mm)

WxHxD 19 x 3 x 7 (482 x 76.8 x 178)

Weight, lbs (kg)

PYD2200.....8.44 (3.83)
PYD2300U.....8.64 (3.92)

**Specifications are typical; individual units might vary.
Specifications are subject to change and improvement without notice.**

Limited Warranty

All PYLE PRO products are carefully constructed and tested before shipment. Units purchased in the USA are warranted to be free of defects in material and workmanship for one (1) year from the date of purchase. This warranty is limited to the original retail purchaser of the mixer.

Should the unit fail due to factory defects in material or workmanship, your unit will be repaired or replaced at the sole discretion of PYLE.

To obtain warranty service, you must first call our Consumer Return Hotline at (718) 236-6948 to obtain a Return Authorization Number. This R.A. # must appear on the outside of your package and on all paperwork relating to your return.

When returning the unit to us for warranty service, it must be carefully packed and shipped, prepaid, to:

R.A.#: _____
PYLE PRO Service Center
1600 63rd Street
Brooklyn, NY 11204

You must also include the following items with your return:

- A copy of your sales receipt or other proof of purchase
- A brief letter, indicating the problem you are experiencing with the product
- Include in your letter your return address, daytime phone number and R.A. number
- Also include a check or money order for \$20.00 for return shipping, handling and insurance, or provide your Visa/MC number with expiration date.

Our obligation under this warranty is limited to the repair or replacement of the defective unit when it is returned to us prepaid. This warranty will be considered void if the unit was tampered with, improperly serviced or subject to misuse, neglect or accidental damage.

▼ Please complete warranty card, detach and return ▼

Thank you for purchasing this PYLE product. To activate your warranty, please mail this card within 10 days.

warranty registration card

PYLE PRO MIXERS

Name _____

Address _____

City, State ZIP _____

Model No. _____

Serial # (if available) _____

Date of Purchase _____

Purchased at:

- Music Products Store Sound Contractor/Installer Mail Order
 Catalog Merchandiser Other _____

www.pyleaudio.com

7 - Pyle Pro Mixer PYD2200/2300U
Owner's Manual

Free Manuals Download Website

<http://myh66.com>

<http://usermanuals.us>

<http://www.somanuals.com>

<http://www.4manuals.cc>

<http://www.manual-lib.com>

<http://www.404manual.com>

<http://www.luxmanual.com>

<http://aubethermostatmanual.com>

Golf course search by state

<http://golfingnear.com>

Email search by domain

<http://emailbydomain.com>

Auto manuals search

<http://auto.somanuals.com>

TV manuals search

<http://tv.somanuals.com>