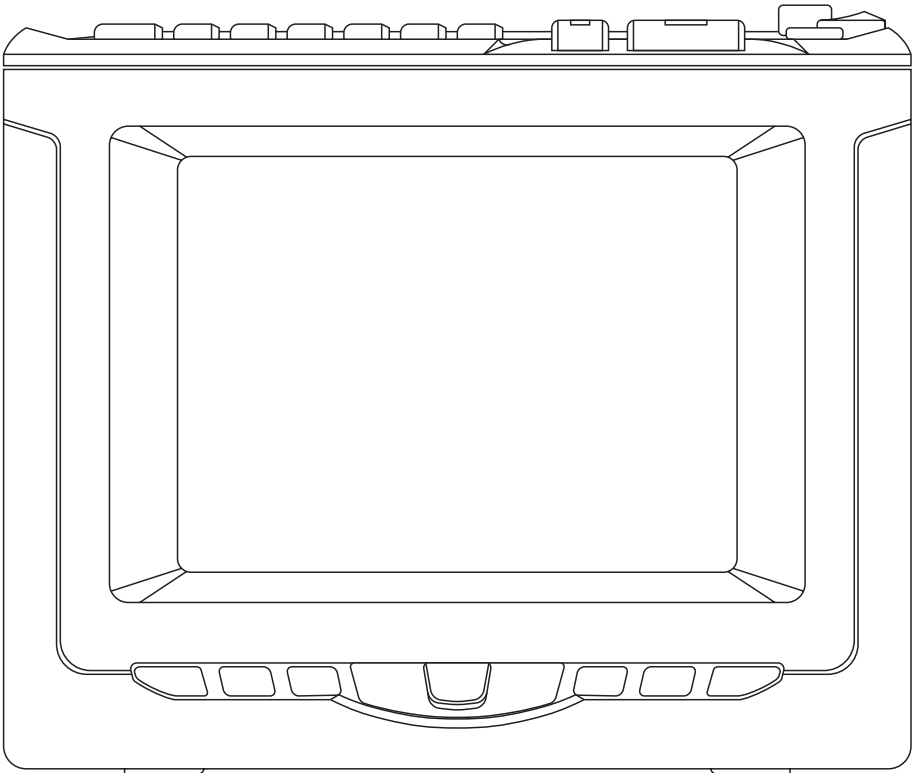
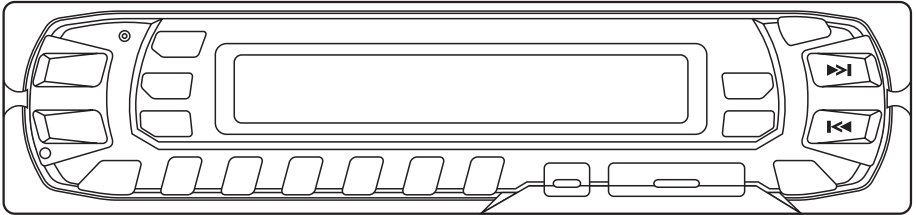


OWNER'S MANUAL

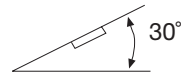
**COLOR LCD TV/RECEIVER WITH
CD CHANGER CONTROL**



INSTALLATION

Notes:

- Choose the mounting location where the unit will not interfere with the normal driving function of the driver.
- Before finally installing the unit, connect the wiring temporarily and make sure it is all connected up properly and the unit and the system work properly.
- Use only the parts included with the unit to ensure proper installation. The use of unauthorized parts can cause malfunctions.
- Consult with your nearest dealer if installation requires the drilling of holes or other modifications of the vehicle.
- Install the unit where it does not get in the driver's way and cannot injure the passenger if there is a sudden stop, like an emergency stop.
- If installation angle exceeds 30° from horizontal, the unit might not give its optimum performance.

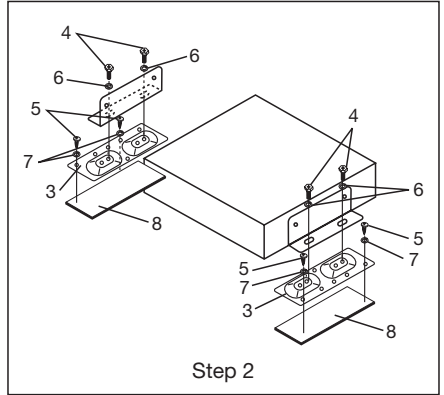
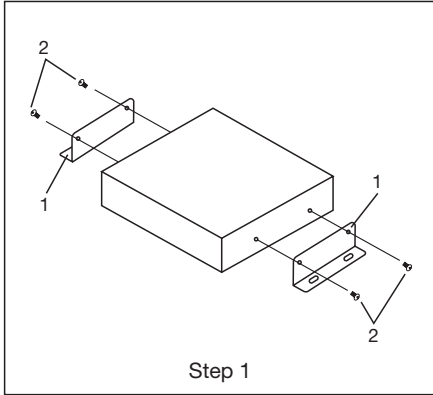


- Avoid installing the unit where it would be subject to high temperature, such as from direct sunlight, or from hot air, from the heater, or where it would be subject to dust, dirt or excessive vibration.

INSTALLATION HARDWARE

<p>Bracket (A) (2 pcs)</p>	<p>Bracket (B) (2 pcs)</p>	<p>Double sided tape (2 pcs)</p>	<p>Lever (2 pcs)</p>	
<p>Hexagonal Bolt (M6 x 12) (4 pcs)</p>	<p>Tapping Screw (M5 x 12) (4 pcs)</p>	<p>Mounting Bolt (M5 x 5) (8 pcs)</p>	<p>Mounting Bolt (M4 x 5) (4 pcs)</p>	<p>Strap (1 pcs)</p>
<p>Tapping Screw (M5 x 25) (1 pcs)</p>	<p>Nut (M5) (1 pcs)</p>	<p>Plain Washer (M5) (1 pcs)</p>	<p>Spring Washer (M5) (5 pcs)</p>	<p>Spring Washer (M6) (4 pcs)</p>

MOUNTING THE TUNER UNIT



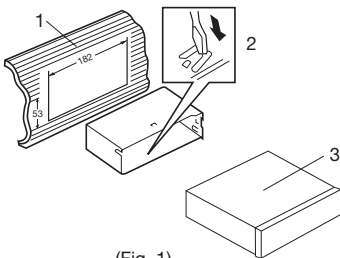
- 1. Bracket (A)
- 2. Mounting Bolt (M5 x 5)
- 3. Bracket (B)
- 4. Hexagonal Bolt with Washer (M6 x 12)
- 5. Tapping Screw with Washer (M5 x 12)
- 6. Spring Washer (M6)
- 7. Spring Washer (M5)
- 8. Double Sided Tape

INSTALL THE DISPLAY UNIT

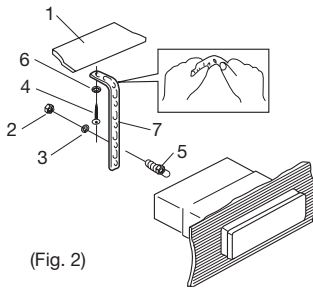
Before install the display unit, please remove its tail screw and cable parts. This unit can be properly installed either from “front” (conventional DIN Front-mount) or “rear” (DIN Rear-mount installation, utilizing threaded screw holes at the sides of the unit chassis). For details, refer to the following illustrated installation methods.

DIN FRONT-MOUNT

Installing the unit



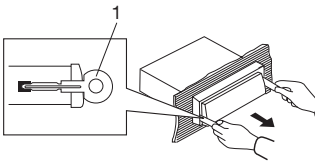
- 1. Dashboard
- 2. Holder
After inserting the holder into the dashboard, select the appropriate tab according to the thickness of the dashboard material and bend them inwards to secure the holder in place.
- 3. Display Unit



(Fig. 2)

1. Dashboard
 2. Nut (M5)
 3. Spring Washer
 4. Tapping Screw with Washer (M5 x 25)
 5. Screw
 6. Plain Washer
 7. Strap
- Be sure to use the strap to secure the back of the unit in place. The strap can be bent by hand to the desired angle.

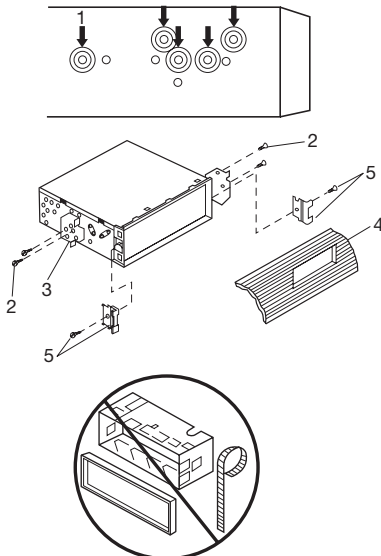
Removing the unit



1. Lever
- Insert the levers supplied with the unit into the grooves at both sides of the unit as shown in figure until they click. Pulling the levers upward and out to makes it possible to remove the unit.

DIN REAR-MOUNT

Installation using the screw holes on the both sides of the unit.



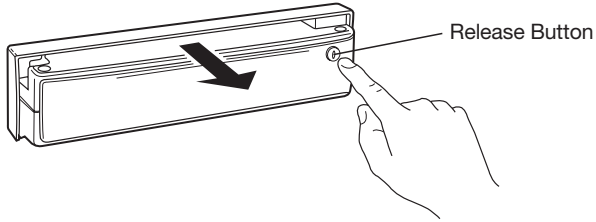
Fastening the unit to the factory radio mounting bracket.

1. Select a position where the screw holes of the bracket and the screw holes of the main unit become aligned (are fitted), and tighten the screws at 2 places on each side.
Use either truss screws (5 x 5mm) or screws (4 x 5mm), depending on the shape of the screw holes in the bracket.
2. Screw
3. Factory Radio Mounting Bracket
4. Dashboard or Console
5. Hook and Screw (Remove this part)

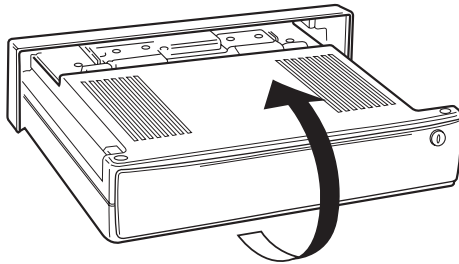
Note: The frame, strap, and half-sleeve are not used for REAR-MOUNT.

HOW TO OPEN AND CLOSE THE SCREEN DISPLAY

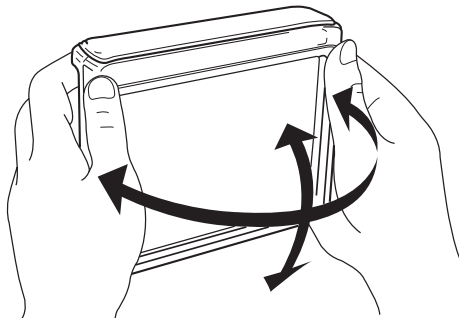
1. Press release button to draw out the screen display.



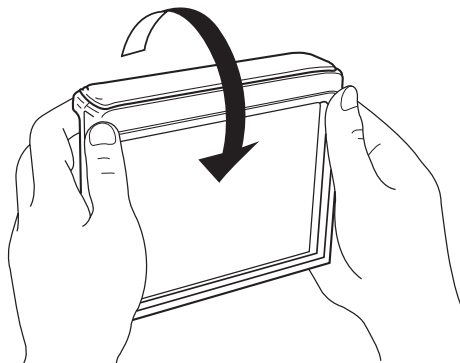
2. Turning the display upward.



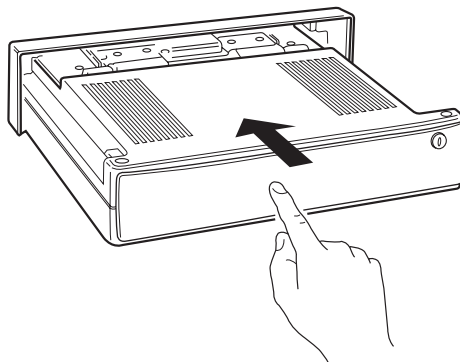
3. Adjusting the viewing angle. Angle should be adjusted slowly without applying unreasonable force.



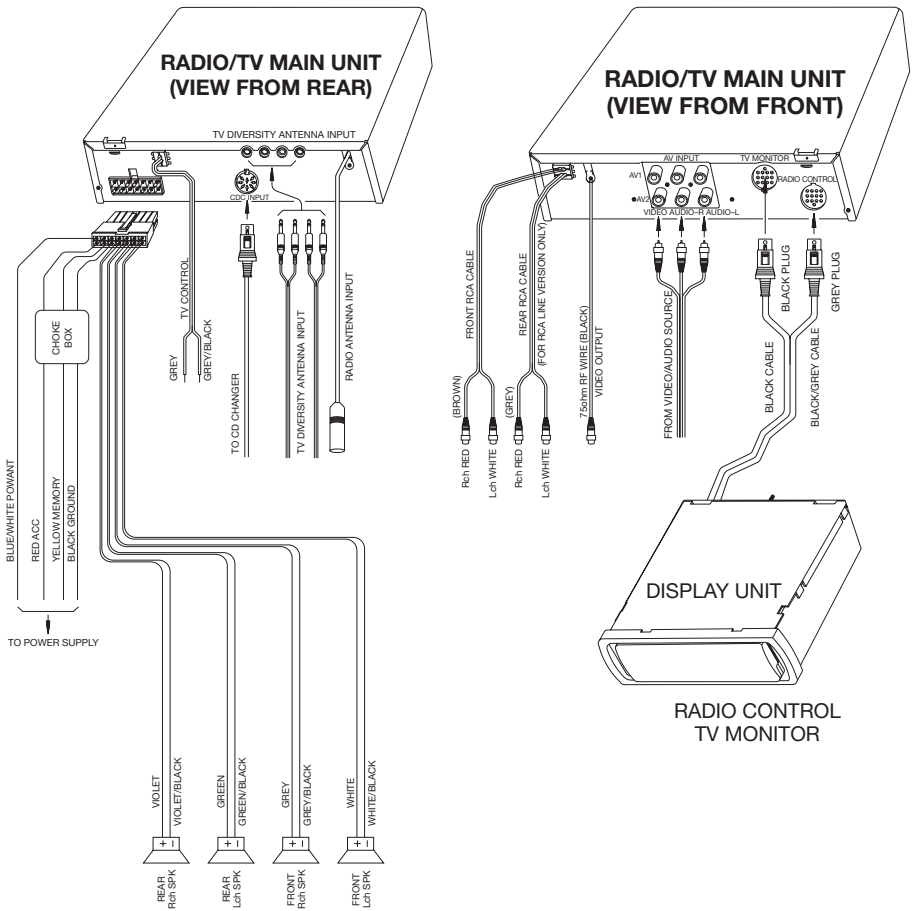
4. Turning the display downward. Make sure to return the display to centre position before drawing in. It cannot be draw in with its angles adjusted.



5. Push the panel, the display will be drawn in.



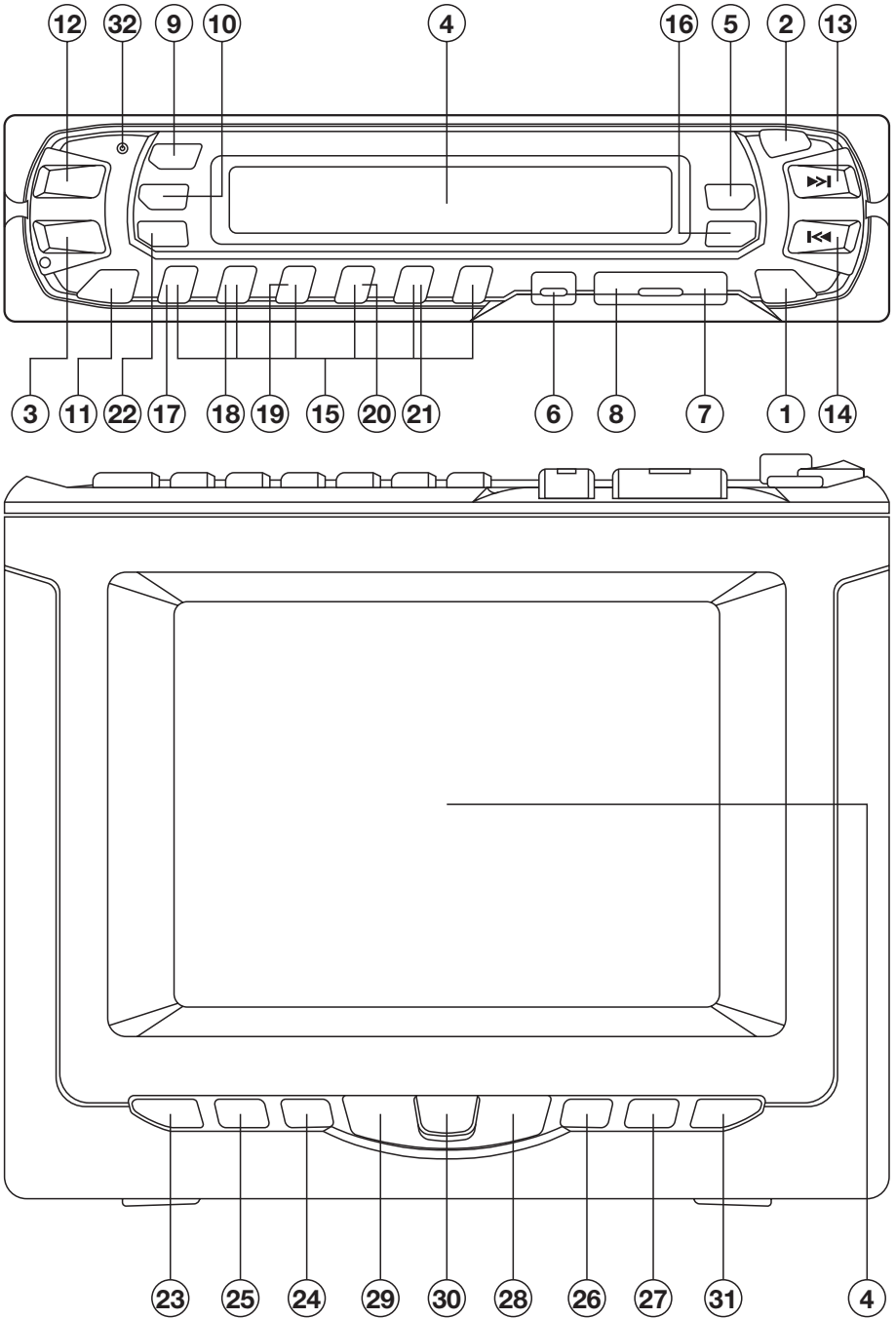
ELECTRICAL CONNECTION



CAUTION:

1. If the TV control grey cable is connected to car brake, when the car is running, you cannot switch into TV mode.
2. To select CD changer's sort:
 Before installing the unit, connect the CD changer with the unit correctly and turn on the power to make the unit work in CD changer state. If the operation normally, the switch button's position is right, otherwise, please dial the switch button to the other position.
 Note: How to select A or B in CDC SET is different according to the units and the customers use.

OPERATION



GENERAL OPERATION

- **ON/OFF**

Switch on the unit by pressing **POWER** button (1). When system is on, press it again to turn it off.

- **FACEPLATE RELEASE**

Press **REL** button (2) to draw out the faceplate, push the panel to draw in. When the faceplate is drawn out, turn the faceplate upward and adjust TV display.

- **SELECTING SOUND MODE**

Press **SEL** button (6) to move display through volume, bass, treble, balance and fader functions. Use **VOLUME >** (7) and **VOLUME <** (8) buttons to adjust the selected mode. When mode has not been adjusted for several seconds, display returns to previous display status (e.g. radio display or CDC display).



Volume

Adjust volume level using **VOLUME >** (7) and **VOLUME <** (8) buttons.

Bass

Press **SEL** button (6) for one time. Adjust bass level using **VOLUME >** (7) and **VOLUME <** (8) buttons.

Treble

Press **SEL** button (6) for two times. Adjust treble level using **VOLUME >** (7) and **VOLUME <** (8) buttons.

Balance

Press **SEL** button (6) for three times. Adjust sound balance between left and right speakers using **VOLUME >** (7) and **VOLUME <** (8) buttons.

Fader

Press **SEL** button (6) for four times. Adjust sound balance between front and rear speakers using **VOLUME >** (7) and **VOLUME <** (8) buttons.

- **SELECTING PLAYING MODE**

When the screen display is drawn in, press **MODE** button (12) to select desired playing mode between radio and CDC. When the screen display is drawn out, the unit would automatically switch into TV mode. By pressing **MODE** button (12), you can select desired playing mode among TV, radio and CDC.

CAUTION: The unit cannot be switched into TV mode, when the car is running. So at this time, you just select playing mode between radio and CDC.

- **MUTE**

Press **MUT** button (3) to cut down sound output, **"MUTE"** will appear on the display. Press it again to resume the previous volume mode.

- **LOUDNESS**

Press **LOU** button (22) to increase bass output, **"LOUD"** will appear on the display. Press it again to release the mode.

- **MONO/STEREO**

Press **MON** button (10) to select mono or stereo mode.

In radio operation, press the button to select mono or stereo reception for radio station. You can sometime improve reception of distant stations by select mono mode.

- **SETTING THE CLOCK**

Press **DSP** button (5) to change the display into clock display. While the current time is appeared on the display, press it again to return to frequency showing.

Time Setting

- Set hours:

Holding down **DSP** button (5) for several seconds, and the clock is blinking on the display, press **◀◀** button (14) to adjust the hour.

- Set minutes:

Holding down **DSP** button (5) for several seconds, and the clock is blinking on the display, press **▶▶** button (13) to adjust the minutes.

- **LIQUID CRYSTAL DISPLAY**

The **LCD** (4) can show the current state of the unit.

- **RESET**

Reset button (32) must be activated with either a ball point pen or thin metal object. Reset button (32) is to be activated for the following reasons:

- Initial installation of the unit when all wiring is completed.

- All the function buttons do not operate.

- Error symbol on the display.

RADIO OPERATION

- **SELECTING BAND**

Press **BAND** button (11) to change between three FM bands and two AM bands. Each band stores up to six preset stations.



- **SELECTING STATION**

During radio mode, press **▶▶** button (13) to increase frequency or **◀◀** button (14) to decrease frequency by one step of channel spacing. Hold the button longer for fast tuning. The frequency is updated correspondingly on display.

- **LOCAL/DISTANCE**

Press the **LOC** button (9) to select between local mode for receiving with strong signals and distance mode for receiving with weak signals when tuning.

- **SELECTING MEMORY**

Press preset memory buttons (15) to preset stations at tuner mode. With this system, a total of 30 stations can be stored in the memory of six buttons. The stations might be FM1, FM2, FM3, AM1 and AM2 band. The operation is as below:

- Store in Memory
Press and hold desired memory location button for several seconds. The current listening station will be stored into the number button.
- Retrieve a Preset Station
Press any one of the buttons (15) to retrieve a station which had been stored in the memory in advance the chosen number is shown on display.

- **AUTO MEMORY STORING & SCANNING**

- Auto Memory Storing
Seeks the six strongest stations in the pre-selected band automatically and stores the stations automatically in preset memories. Initially the tuner seeks and memories the stations in local mode until 6 stations are fully occupied. Otherwise, seeking is proceeded in distance mode.
- Auto Memory Scanning
Check the stations stored in the preset memories. Press to retrieve automatically the current stations stored in six preset memories and it will display for several seconds. Press either the **AMS** button (16) again or anyone of the memory buttons to stop the scan operation. During the preset scan operation, the channel number flashes on the display for several seconds. Preset station scan continuously in the pre-selected band.

CDC OPERATION

- **SELECTING TRACK**

During CDC mode, press **⏮** button (14) or **⏭** button (13) shortly to move to the previous track or the next track. The track number shows on the display.

- **SELECTING CD**

Press **D.UP** button (17) to select next disc and **D.DN** button (18) to select previous disc.

- **REPEAT THE SAME TRACK**

Press **RPT** button (19) to continuously repeat the same track on the current disc. Press it again to continuously repeat all tracks on the current disc. Press it the third time to stop repeating.

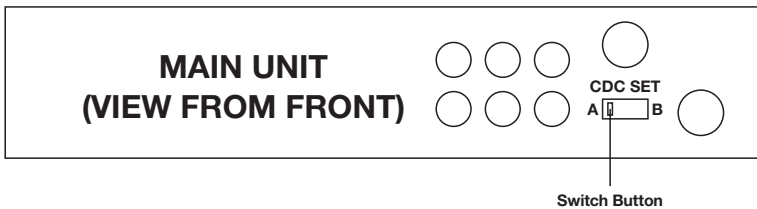
- **PREVIEW ALL TRACKS**

Press **SCN** button (20) to play the first several seconds of each track on the current disc. Press it again to stop intro and listen to track.

- **PLAY ALL TRACKS**

Press **RND** button (21) to play all tracks on the current CD in random order. Press it again to cancel the mode.

- **CD CHANGER SETTING**



Reference the figure above, when the CD input use 6 disc CD changer, the **switch** button should be dialed to **B** side, when the CD input use 10 disc CD changer, the **switch** button should be dialed to **A** side.

TV OPERATION

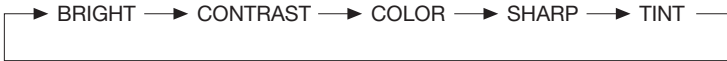
- **SELECTING RECEIVING MODE**

Press **TV/AV** button (31) to select among TVch/AV1/AV2.

- **PICTURE ADJUSTMENT/PROGRAM SETTING/SYSTEM CONTROL**

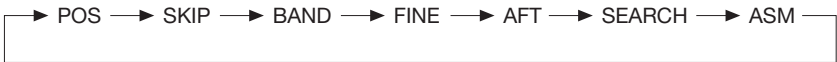
In TV mode, press **MENU** button (23) to enter the main menu. And the menu includes three sub-menus: PICTURE MENU, TUNER MENU and SYSTEM MENU. Press the button repeatedly or press **CHANNEL SELECT +** button (28) or **CHANNEL SELECT -** button (29) to select the desired item then press **CONTROL +** button (24) or **CONTROL -** button (25) to enter the corresponding sub-menu to set.

- In PICTURE MENU, use **CHANNEL SELECT +** button (28) or **CHANNEL SELECT -** button (29) to select picture mode upward or downward as follows:



Then use **CONTROL +** button (24) or **CONTROL -** button (25) to adjust the selected item. Note: In PAL SYSTEM, there is no “TINT” item.

- In TUNER MENU, use **CHANNEL SELECT +** button (28) or **CHANNEL SELECT -** button (29) to select picture mode upward or downward as follows:



Then use **CONTROL +** button (24) or **CONTROL -** button (25) to adjust the selected item.

- In SYSTEM MENU, use **CHANNEL SELECT +** button (28) or **CHANNEL SELECT -** button (29) to select picture mode upward or downward as follows:



Then use **CONTROL +** button (24) or **CONTROL -** button (25) to adjust the selected item.

In AV mode, press **MENU** button (23), the screen will display PICTURE MENU and SYSTEM MENU but not TUNER MENU. And in SYSTEM MENU, there is no “SOUND” item. The setting method is the same with that in TV mode.

Note: In the menus (except TUNER MENU), if you don't operate over 6 seconds, the screen display will disappear.

- **SELECTING CHANNEL**

Press **CHANNEL SELECT +** button (28) or **CHANNEL SELECT -** button (29) to choose channel upward or downward.

- **PROGRAM SCANNING**

Press **SCAN** button (26), “SCAN OFF” will display on the lower left corner of the screen. Press it again, the screen will display “SCAN ON”, then it begins to scan 1.5 seconds of each channel in sequence. When it completes, the screen will display “SCAN OFF”.

In the course of scanning, press **SCAN** button (26), "**SCAN OFF**" will also display on the screen and it stops on the TV channel just scanning.

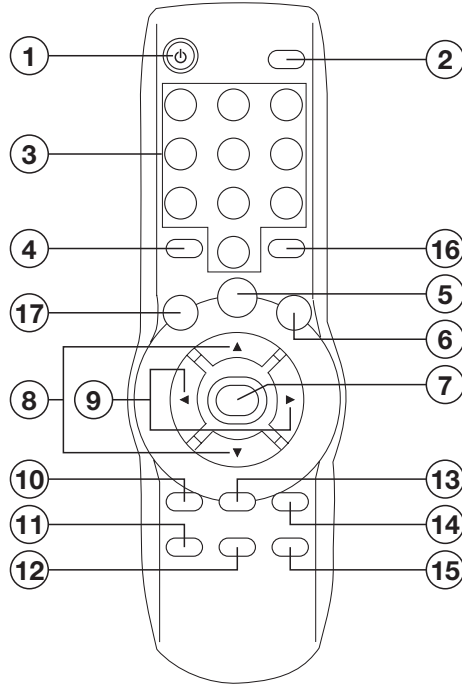
- **SCREEN DISPLAY**

Press **DISP** button (27), the screen will display the current status such as TVch/AV1/AV2, the COLOR SYSTEM and the SOUND SYSTEM on the right-top corner. In AV mode, there is no SOUND SYSTEM display.

- **REMOTE SENSOR**

Point the remote control handset to the remote sensor (30). Press the function keys on the handset to control TV.

REMOTE CONTROL HANDSET



CONTROL & FUNCTION KEYS

1. POWER = Press POWER to turn the unit ON or OFF
2. TV/AV = Switch between TV/AV1/AV2
3. 0 - 9 = Numeric buttons, press to select the corresponding channel
4. -/-- = Digital selecting button, cooperatively used with numeric buttons
5. MUTE = Press to mute the sound. When release the button, the screen will display VOLUME XX for about 4 seconds, and this is the AUDIO level setting value of the TV unit. The users may not mind it, and that adjust the volume level by VOL + and VOL - buttons.
6. SCAN = Scan 1.5 seconds of each channel
7. MENU = Display the main menu to adjust picture and set program and control system
8. ▲/▼ = In case of MENU mode, the buttons are used to select the sub-menus
9. ◀/▶ = In case of MENU mode, the buttons are used to adjust the selected item
10. VOL + = Increase the volume level
11. VOL - = Decrease the volume level
12. PICT = Select picture mode. There are five modes: STANDARD, SHARP, BRIGHT, MEMORY and MILD. The MEMORY mode is user-defined mode and the others are preset mode.
13. RETURN = Switch between last viewed channel and this time viewed channel
14. CH + = Choose channel upward
15. CH - = Choose channel downward
16. DSP = Press to display the channel number and SYSTEM status. In AV mode, there is no SOUND SYSTEM display
17. SORT = Program sorting button, cooperatively used with digital selecting button and numeric buttons

SPECIFICATION

GENERAL

Power Supply Voltage : DC 12 Volts, Negative Ground
Maximum Power : 4 x 60 Watts
Load Impedance : 10 Ampere (max.)
Tone Controls
- Bass (at 100 Hz) : + / - 10 dB
- Treble (at 10 KHz) : + / - 10 dB

TV

Monitor Screen Size : 5.0" TFT
Resolution : 960 x 234 dots
TV Sensitivity : 45 dB μ V/PD (max.) @CH25 in average

RADIO

FM

Frequency Coverage : 87.5 to 107.9 MHz
Sensitivity (30 dB S/N) : 6 μ V
Image Rejection : > 45 dB
Stereo Separation : > 25 dB

AM

Frequency Coverage : 530 to 1710 KHz
Sensitivity (20 dB S/N) : 35 dB
Image Rejection : 45 dB

Free Manuals Download Website

<http://myh66.com>

<http://usermanuals.us>

<http://www.somanuals.com>

<http://www.4manuals.cc>

<http://www.manual-lib.com>

<http://www.404manual.com>

<http://www.luxmanual.com>

<http://aubethermostatmanual.com>

Golf course search by state

<http://golfingnear.com>

Email search by domain

<http://emailbydomain.com>

Auto manuals search

<http://auto.somanuals.com>

TV manuals search

<http://tv.somanuals.com>