

110.00 mm

90.00 mm



**Bluetooth® Hands-free Car Kit
with LCD display
PBT70R
User Manual**

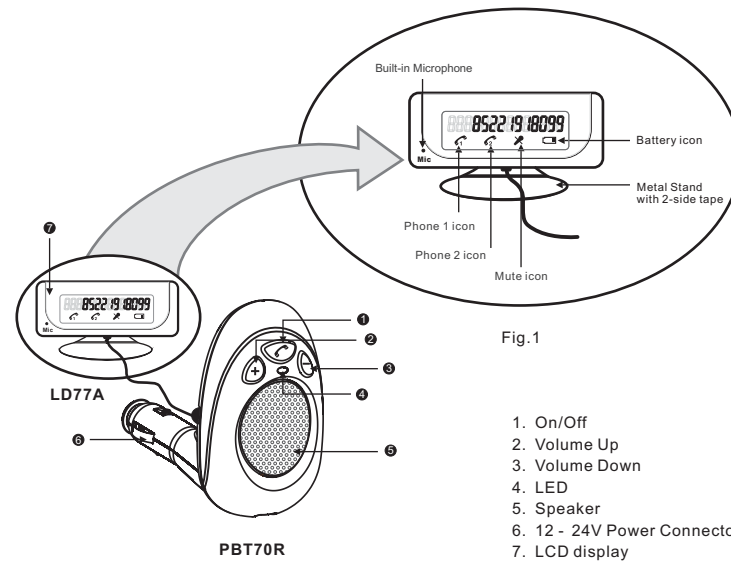


(封面内页)

Table of Content

I. Profile and Its Function.....	4
I-1 Profile.....	4
I-2 Function.....	5
II. How to Use.....	6
II-1 Installation of the Hands-Free Car Kit	6
II-2 Optional mounting method	7
II-3 Turn on the Hands-free Car Kit.....	8
II-4 Pair the Hands-free Car Kit with Your <i>Bluetooth</i> Mobile Phone.....	8
II-5 Establish <i>Bluetooth</i> Link.....	9
II-6 2-link operation and its LCD display status.....	10
II-7 LCD display general status	11
II-8 Answer an Incoming Call.....	14
II-9 Transfer Calls between this Hands-free Car Kit and your <i>Bluetooth</i> Phone.....	14
II-10 Make a New Call by Using Voice Dialing.....	14
II-11 Answer the call waiting	15
II-12 Mute the Microphone	15
II-13 End a Call	15
II-14 Reject a Call	15
II-15 Redial Last Dialed Number	15
II-16 Adjust the Speaker Volume.....	15
II-17 Turn off the Hands-free Car Kit.....	16
II-18 Auto connection to the <i>Bluetooth</i> Mobile Phone	16
III. Maintenance and Safe Use.....	16
IV. Package Contents.....	16
FCC Interference Statement.....	17

I. Profile and Its Function
 I-1 Profile (please refer to Fig.1)



I-2 Function (please refer to Fig.1)

1. On / Off

If you press "On / Off ", you can:

- Switch on and off
- Pair
- Answer a new call
- Reject a call
- Make a new call using voice dialing

2. Volume Up

- Increase the speaker volume
- Mute / un-mute the microphone

3. Volume Down

- Redial the last dialed number
- Decrease the speaker volume
- Answer call waiting

4. LED

- There are two LED colors (blue and red) to indicate the state of this Car Kit.

5. Speaker

6. 12-24V Power Connector

- Connect the Car Kit with the cigarette lighter and power the Car Kit.

7. LCD display

- It displays a caller's ID and operating status.

II. How to Use

II-1 Installation of the Hands-free Car Kit (please refer to Fig.2, Fig.3 and Fig.4)

Thank you for buying the PBT70R, *Bluetooth* Hands-free Car Kit.

Whenever you use the Hands-free Car Kit, please plug the Car Kit into the cigarette lighter socket in your car to get the power.

1. Attach the metal stand to the desired position.

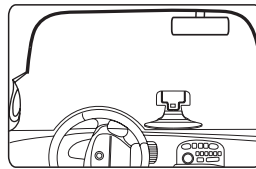


Fig.2

2. Put the PBT70R into the cigarette lighter socket.

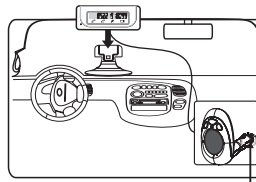


Fig.3

cigarette lighter socket

6

3. Slide the LCD 77A LCD display into the metal stand.
Installation complete.

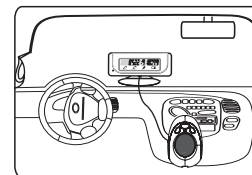


Fig.4

II-2 Optional mounting method (user needs to purchase the air vent clip separately).
(please refer to Fig.5, Fig.6 and Fig.7)

1. Put the PBT70R into the cigarette lighter socket.

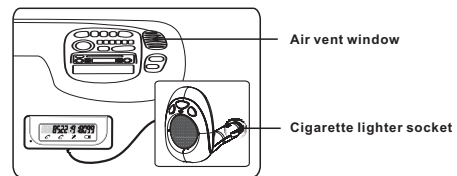


Fig.5

2. Slide the air vent clip into the air vent window in your car as indicated.

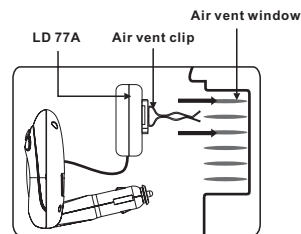


Fig.6

3. Installation complete.

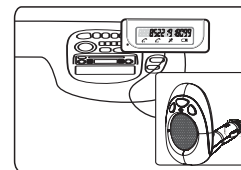


Fig.7

II-3 Turn on the Hands-free Car Kit

When the car kit is plugged to the cigarette lighter socket in your car and your car is on, the car kit will turn on automatically and try to auto reconnect the last connected mobile phone. A long tone indicates that the hands-free Car Kit has turned on. At the same time, blue LED will flash for a second. Blue LED will keep on flashing every 3 seconds.

Note: The Car Kit can also be turned on manually by pressing and holding the "On/Off" key for 2 seconds when it is off.

II-4 Pair the Hands-free Car Kit with Your *Bluetooth* Mobile Phone

1 Put the hands-free Car Kit in pairing mode

After the Car Kit has turned on automatically, it will try to auto reconnect the last connected mobile phone. If it fails connecting for the first time, it will enter pairing mode immediately. A double tone will be heard. The red and blue LEDs will flash alternatively, which indicates the hands-free Car Kit has entered into the pairing mode.

Note: The Car Kit can also be put in pairing mode manually by pressing and holding the "On/Off" key for 5 seconds when it is off.

2 Put your *Bluetooth* mobile phone in pairing mode

2.1 Follow the operation manual of your *Bluetooth* mobile phone to start the pairing process. Typically, this has to be done by going to a setup or connect menu and then selecting the options to discover *Bluetooth* devices. *Bluetooth* may take several seconds to establish a connection.

2.2 Your phone's display will indicate that it has found the new device "PBT70R". When you want to pair it, the phone's display would demand a passkey or PIN. You can enter a sequence of "0000".

3 Pair the hands-free Car Kit with your *Bluetooth* Mobile Phone

The blue LED of hands-free Car Kit will flash every 3 seconds indicating successful pairing. The phone may also ask whether you want to change the Car Kit's name. We recommend you should approve the name of "PBT70R" and do not change it.






Note: Make sure if pairing does not occur as expected, turn off the hands-free car kit and your phone, then wait for 10 seconds. Turn on them again and repeat from Step 1 to Step 3.

II-5 Establish *Bluetooth* Link

After pairing, the mobile phone usually has "connect" menu. Please select it to establish the link. A beep tone will indicate that the Car Kit is connected. Now you are ready to make and answer calls on the hands-free Car Kit.

II-6 2-link operation and its LCD display status






The Car Kit is able to connect to 2 mobile phones at the same time.

Pair with the the first mobile phone (II3-4).	
Swith off the PBT70R, and then switch on again to enter into pairing mode(the Blue & Red LEDs will flash alternatively which indicates the Car Kit has entered into the pairing mode).	
Pair with the second mobile phone (II3-4).	
Connect to the first mobile phone (II-5).	
Connect to the second mobile phone(II-5).	

It will operate with the last connected or activated mobile phone and automatically switch between them.



II-7 LCD display general status
7.1 On / Off and Pairing

<p>When the car kit is turned on and idle, the LCD displays "READY".</p>	
<p>When the Car Kit is in pairing mode, the LCD screen displays "PAIRING".</p>	
<p>While the car kit is connecting to the mobile phone, the LCD screen displays "CONNECTING".</p>	
<p>After the car kit has connected to the mobile phone successfully, the LCD screen displays "CONNECTED".</p>	
<p>When the car kit is being turned off, the LCD displays "OFF" with LED on for a few seconds. When the car kit is still in connection with power, the LCD displays "OFF" without LED on.</p>	

7.2 Calling in

When there is an incoming call, the LCD screen displays Caller ID if it is received or "RINGING".



OR RINGING

Note: Some mobile phones may not display Caller ID via this LCD Display unit.



When the call is answered, the LCD screen displays "ON LINE".



In case the call is rejected, it will go back to standby state and the LCD screen displays "CONNECTED".



7.3 Calling out







When there is an outgoing call from the mobile phone, the LCD screen displays "CALLING".



When the call is made successfully, the LCD screen displays "ON LINE".



7.4 On Line

<p>When you are talking on line, the LCD screen displays "ON LINE".</p>	
<p>Whenever the Volume Up key or Volume Down key is pressed, the LCD screen displays "VOL" and the current volume setting for 2 seconds.</p>	
<p>If you mute the microphone, the mute icon will be turned on. And it stays on until you cancel it.</p>	
<p>When there is another call incoming while you are on line, the LCD screen will show Caller ID if it is received or "CALL WAITING".</p> <p>Note:</p> <ol style="list-style-type: none"> 1. Some mobile phones may not display "CALL WAITING" or Caller ID via this LCD Display unit. 2. Some phones may not support this feature. 	 <p>OR CALL WAITING</p> 
<p>When the call is ended, it will go back to the standby state. The LCD screen displays "CONNECTED".</p>	

Note: Phone 2 icon will be shown instead if the Car Kit is operating with mobile phone 2.

II-8 Answer an Incoming Call

When an incoming call is present, the hands-free Car Kit will ring. Press "On / Off" key and you can answer the call. The blue LED will continue to flash once a second while the call is in session.

II-9 Transfer Calls between this Hands-free Car Kit and your Bluetooth Phone

When you are in session, calls can be transferred from your *Bluetooth* Phone to the hands-free Car Kit and vice versa.

1 From Bluetooth Phone to the Car Kit

Press "On / Off" key once, the call will be transferred to the Car Kit.

2 From Car Kit to the Bluetooth Phone

Please follow the operation manual of your phone.

II-10 Make a New Call by Using Voice Dialing**1 When using a Bluetooth Mobile Phone:**

1.1 Press "On / Off" key on the hands-free Car Kit shortly when the Car Kit is standby.

Note: Make sure that the voice dialing function is properly set up in the mobile phone and it is within the range of the hands-free Car Kit.

1.2 Put through the call

After the beep tone on the hands-free Car Kit, you can make a voice dial by saying the name of the person on the hands-free Car Kit. The call will be connected in a few seconds.

2 When using a mobile phone without Bluetooth built-in and requiring a Bluetooth dongle:

2.1 Press "On / Off" key on the hands-free Car Kit shortly when the Car Kit is standby.

Note: Make sure that the voice dialing function is properly set up in the Mobile phone and it is within the range of the hands-free Car Kit.

2.2 Put through the call

After the beep tone on the hands-free Car Kit, you can make a voice dial and the call will be connected in a few seconds.

II-11 Answer the call waiting

During the active call in session if another call is coming, pressing "Volume Down" key for 2 seconds will make the mobile phone switch to the waiting call and place the active call on hold. Press "Volume Down" key for 2 seconds again, mobile phone will come back to the first active call.

II-12 Mute the Microphone

1 To mute a call

Press "Volume Up" key for about 2 seconds and a beep tone will indicate the microphone is muted. A periodic reminder tone will be heard while the mute function is active.

2 To un-mute a call

When the microphone is muted, press "Volume Up" key for about 2 seconds. Then the mute function will end and the periodic reminder tone will stop.

II-13 End a Call

While a call is in session on the hands-free Car Kit, press "On/Off" key and you will disconnect the call. A long tone will indicate that the call has ended. After the call is disconnected, the blue LED will flash normally.

II-14 Reject a Call

When the hands-free Car Kit is ringing, press "On/Off" key for 2 seconds. Ringing will stop and a long tone will indicate that the call is rejected.

II-15 Redial Last Dialed Number

To redial the last dialed number, press "Volume Down" key for 2 seconds when the Car Kit is standby, a beep tone will indicate an attempt to redial.

II-16 Adjust the Speaker Volume

While a call is in session, pressing and releasing "Volume Up" key will increase the speaker volume, and pressing and releasing "Volume Down" key will decrease the speaker volume. A double tone will be heard whenever the volume limit is reached.

II-17 Turn off the Hands-free Car Kit

When the hands-free Car Kit is on, press and hold "On/Off" key for 5 seconds. A long tone will indicate that the Car Kit starts to power off. LED continues to flash for a few seconds. At last LED will turn off and the Car Kit is powered off.

II-18 Auto connection to the Bluetooth Mobile Phone





The Car Kit has already been paired with a Bluetooth mobile phone. If it is turned off and turned back on again, it will search for the last connected Bluetooth link. If the previously paired mobile phone's Bluetooth feature is on, the Car Kit and the mobile phone will re-establish the Bluetooth link automatically.

III. Maintenance and Safe Use

- Use dry cloth to clean hands-free car kit!
- Do not expose the car kit to liquid or moisture!
- Do not expose the car kit to fire or open flames!

Note: Not all functions may be available on all phones.

IV. Package Contents

	Accessories	Status
	1 x Metal stand	Provided
	2 x Double-sided adhesive tape for metal stand	Provided
	1 x Alcohol prep pad	Provided
	1 x Air Vent Clip	Optional

Note:
BQB, CE and FCC approved

The *Bluetooth* word mark and logos are owned by the *Bluetooth* SIG, Inc. And any use of such marks by **Sound Around Inc.** is under license. Other trademarks and trade names are those of their respective owners.

Bluetooth functions and operations may not be available or may vary depending on different mobile phones.

Federal Communication Commission Interference Statement

This equipment has been tested and found to comply with the limits for a Class B digital device, pursuant to Part 15 of the FCC Rules. These limits are designed to provide reasonable protection against harmful interference in a residential installation. This equipment generates, uses and can radiate radio frequency energy and, if not installed and used in accordance with the instructions, may cause harmful interference to radio communications. However, there is no guarantee that interference will not occur in a particular installation. If this equipment does cause harmful interference to radio or television reception, which can be determined by turning the equipment off and on, the user is encouraged to try to correct the interference by one of the following measures:

- Reorient or relocate the receiving antenna.
- Increase the separation between the equipment and receiver.
- Connect the equipment into an outlet on a circuit different from that to which the receiver is connected.
- Consult the dealer or an experienced radio/TV technician for help.

This device complies with Part 15 of the FCC Rules. Operation is subject to the following two conditions: (1) This device may not cause harmful interference, and (2) this device must accept any interference received, including interference that may cause undesired operation.

FCC Caution: Any changes or modifications not expressly approved by the party responsible for compliance could void the user's authority to operate this equipment.

IMPORTANT NOTE:

FCC Radiation Exposure Statement:

This equipment complies with FCC radiation exposure limits set forth for an uncontrolled environment. This equipment should be installed and operated with minimum distance 20cm between the radiator & your body.

This transmitter must not be co-located or operating in conjunction with any other antenna or transmitter.

Sound Around Inc. declares that PBT70R, (FCC ID: NV6-CS8110) is limited in CH1~CH11 for 2.4 GHz by specified firmware controlled in U.S.A.

Bluetooth Qualified Design ID: B012322

Sound Around Inc.
1600 63rd Street
Brooklyn N.Y. 11204, USA

Phone: 1-800-444-5671 718-535-1800
Fax: 718-236-2400

(封底内页)

(封底)

Free Manuals Download Website

<http://myh66.com>

<http://usermanuals.us>

<http://www.somanuals.com>

<http://www.4manuals.cc>

<http://www.manual-lib.com>

<http://www.404manual.com>

<http://www.luxmanual.com>

<http://aubethermostatmanual.com>

Golf course search by state

<http://golfingnear.com>

Email search by domain

<http://emailbydomain.com>

Auto manuals search

<http://auto.somanuals.com>

TV manuals search

<http://tv.somanuals.com>