



# PDWM 5300

## UHF PLL Diversity Wireless Microphone System w/ LCD



# OPERATION MANUAL



# PDWM 5300

## UHF PLL Diversity Wireless Microphone System w/ LCD



# OPERATION MANUAL

# PREFACE

Thank you for buying the PDWM5300 Wireless System. Please read through these operation instructions so you will know how to operate your model properly. After you read it, put it away in a safe place for future reference.

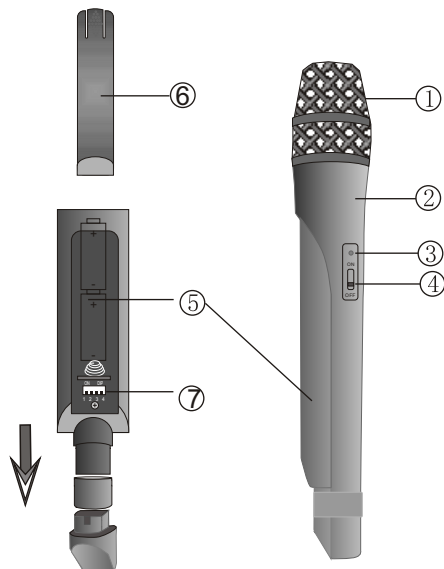
## CONTENTS

<b>P1</b>	Precautions
<b>P2</b>	Hand-held microphone
<b>P3</b>	Receiver
<b>P4</b>	Installation
<b>P5</b>	Trouble shooting
<b>P6</b>	Specifications

# PRECAUTIONS

- Avoid exposure of the system to rain or moisture.
- No user-serviceable parts inside the system. Refer all servicing to a qualified technician only.
- Handle the wireless system carefully, dropping or other shocks may cause failure.
- Avoid using the system where it may be subjected to heat, such as direct sunlight, near radiators or other heat sources.
- Should any liquid be spilled on the system, stop using it immediately. It may be possible to dry the system, but you should have it checked by a qualified technician before using it again.
- Take care with the main power adapter and lead. If damaged in any way, do not use the system and refer to a qualified technician for repair.
- Only use the system with the supplied components. Do not attempt to use with any other main power supply adapter .
- If the wireless system is not going to be used for a while, remove the battery to prevent leakage. In the event of electrolyte leakage inside the battery compartment, carefully remove the leakage with a damp cloth. Take care not to get battery electrolyte in contact with your skin, however if it does, wash your hands under a running tap. If electrolyte comes into contact with your eyes, seek medical advice immediately.
- Only replace the battery with the same or an equivalent type.
- Please dispose of old batteries in an environmentally friendly manner in accordance with the relevant legislation.
- Do not use any solvents to clean any part of the wireless system .

# HAND-HELD MICROPHONE



## PARTS DESCRIPTION

1. Mesh: cartridge inside
2. Tube
3. Power LED indicator
4. Power and Mute switch: Switch on and off the microphone.  
Move the switch to middle position to mute the mic.
5. Battery compartment
6. Battery Cover
7. CH selector

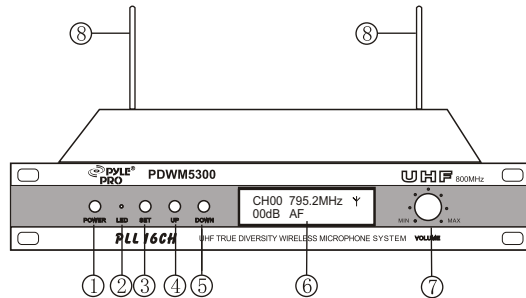
## OPERATION

1. Unscrew the battery cover at the end of the microphone. Install the provided 2 1.5V batteries, taking care to fit it with the correct polarity connected.
2. According to frequency Chart on the battery cover, adjust the CH selector to make the microphone to be the same frequency as receiver.
3. Check the battery by switching the microphone ON. The red LED will come on. This indicates correct operation. If the red LED is dim, this indicates the battery is low and should be changed. If the red LED does not come on at all, it indicates the battery is dead and should be replaced.

## FREQUENCY CHART

1 2 3 4 CH00 795.2MHz	1 2 3 4 CH01 795.8MHz	1 2 3 4 CH02 796.4MHz	1 2 3 4 CH03 797.0MHz	1 2 3 4 CH04 797.6MHz	1 2 3 4 CH05 798.2MHz	1 2 3 4 CH06 798.8MHz	1 2 3 4 CH07 799.4MHz
1 2 3 4 CH08 800.0MHz	1 2 3 4 CH09 800.6MHz	1 2 3 4 CH10 801.2MHz	1 2 3 4 CH11 801.8MHz	1 2 3 4 CH12 802.4MHz	1 2 3 4 CH13 803.0MHz	1 2 3 4 CH14 803.6MHz	1 2 3 4 CH15 804.2MHz

# RECEIVER

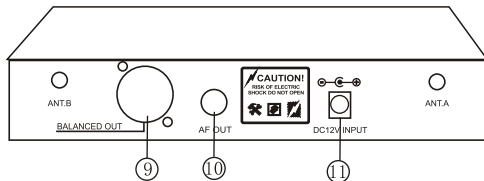


## PARTS DESCRIPTION

1. Power Switch: Turn on power switch, the display of LCD will illuminate.
2. Power LED indicator: Turn on power switch, this indicator will illuminate.
3. SET: Press once to adjust frequency by UP/DOWN buttons. Press again to exit.
4. UP: Channel UP
5. DOWN: Channel DOWN
6. LCD Display
7. Volume control
8. Antenna A and B
9. Balanced output
10. Unbalanced output
11. 12V DC IN

## OPERATION

1. Connect the antennas A and B. Make sure they are vertical.
2. Insert one end of included audio cable into "AF OUT" on rear panel, and the other end into "LINE IN" of amplifier or mixer.
3. Connect the power adaptor from DC 12V of receiver to a main power socket.
4. Switch on the receiver. The power indicator comes on. LCD display will illuminate. Press SET once, there will be a mark ■ displayed on LCD panel. Now you can adjust frequency by UP/DOWN buttons. Press SET again to exit. Make sure the microphone and receiver to be of same frequency.
5. Switch on the microphone. A letter "A" or "B" will appear in the top right of the LCD, indicating the diversity reception. RF strength (in dB) is indicated in the bottom left corner of the display. When you speak into the microphone, AF signal will display on the bottom of LCD display panel.

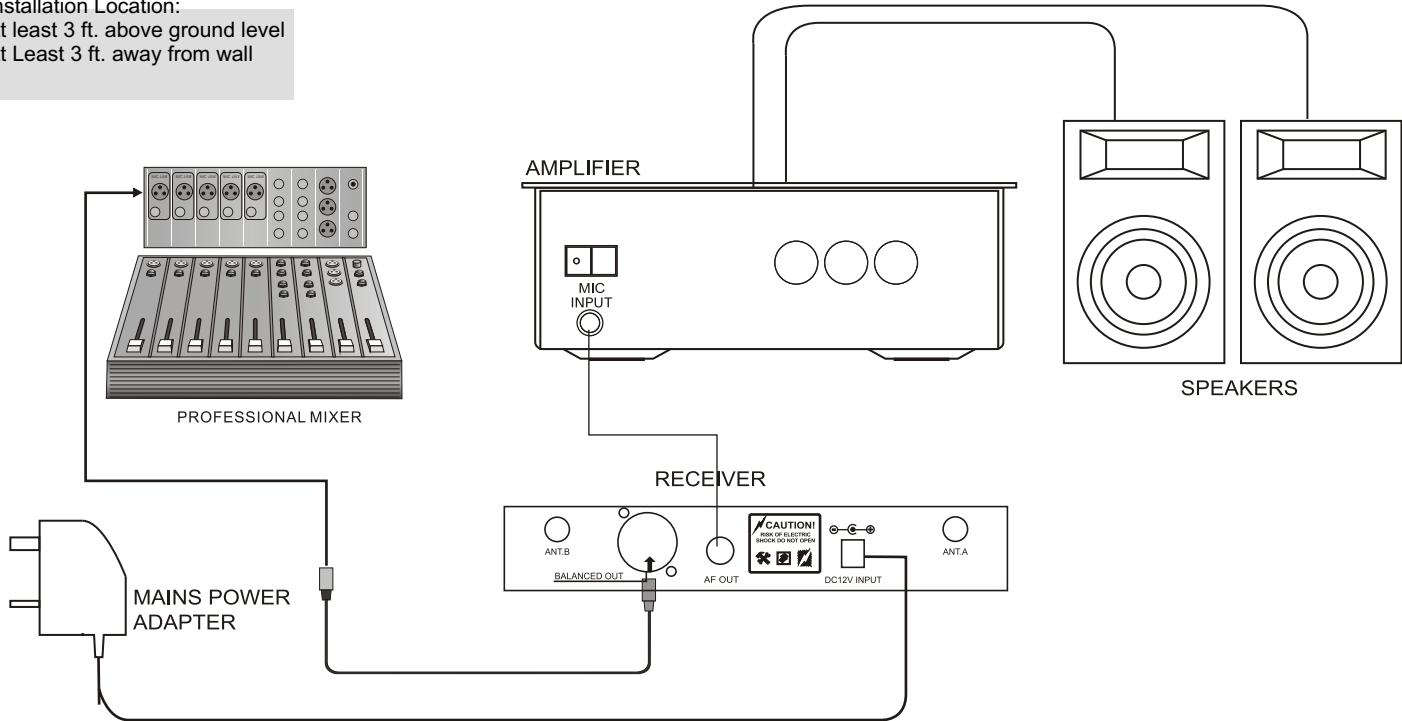


# INSTALLATION

Using the supplied audio cable, connect from the AF OUT jack socket to the LINE IN socket on amplifier. Alternatively, you can connect an XLR cable to the XLR balanced output. Connect the mains power adaptor from "DC 12V" jack to a suitable mains power socket.

## Installation Location:

At least 3 ft. above ground level  
At Least 3 ft. away from wall



# TROUBLE SHOOTING

The on air indicator does not light up	The wireless microphone is not turned on.	Turn on the wireless microphone
	The microphone receiver is not turned on.	Turn on the microphone receiver and the connected audio equipment
	The microphone receiver is not connected properly.	Turn on the microphone receiver and the connected audio equipment
	Frequency not set correctly.	Make sure mic and receiver are set to the same frequency.
No sound	The battery in the wireless microphone is weak.	Replace the battery.
	The microphone receiver is not turned on .	Turn on the microphone receiver and the connected audio equipment.
	The connected audio equipment is not turned on.	Turn on the audio equipment.
	The speakers/headphones. are not connected to the audio equipment.	Connect the speakers/ headphones
The sound is distorted	The battery in the wireless microphone is weak.	Replace the battery.
	The AUDIO OUT on the receiver is not set correctly.	Adjust the volume controls.
A howling noise heard from the speakers.	The distance between the wireless microphone and speakers are too close.	Move the wireless microphone away from the speakers or change the direction of the microphone.
	The battery in the wireless microphone is weak	Replace the battery.

# SPECIFICATIONS

## A. Overall System

Carrier Frequency:	UHF 795~805MHz
Frequency Stabilization:	less than $\pm 30$ ppm
Dynamic Range:	more than 90dB
Total Harmonic Distortion:	less than 0.5%
Frequency Response:	40hz~15khz $\pm 3$ dB
Audio Output Level:	separate type: $0 \sim \pm 400$ mV
Mix Type:	$0 \sim \pm 200$ mV

## B. Receiver

Power Supply:	DC 12V
Consume Power:	4W
Signal/Noise Ratio:	more than 90dB
Image & Spurious Rejection:	more than 80dB
Border upon Channel Rejection:	more than 80dB
Receiving Sensitivity:	10dBuv(sinad=30dB)
De-emphasis:	50us

## C. Transmitter

Transmitting Power:	8.5mW
Modulation Type :	FM,F3F
Max Deviation:	$\pm 25$ KHz
Spurious Emission:	more than 40dB(with carrier)
Power Supply:	3V

## Free Manuals Download Website

<http://myh66.com>

<http://usermanuals.us>

<http://www.somanuals.com>

<http://www.4manuals.cc>

<http://www.manual-lib.com>

<http://www.404manual.com>

<http://www.luxmanual.com>

<http://aubethermostatmanual.com>

Golf course search by state

<http://golfingnear.com>

Email search by domain

<http://emailbydomain.com>

Auto manuals search

<http://auto.somanuals.com>

TV manuals search

<http://tv.somanuals.com>