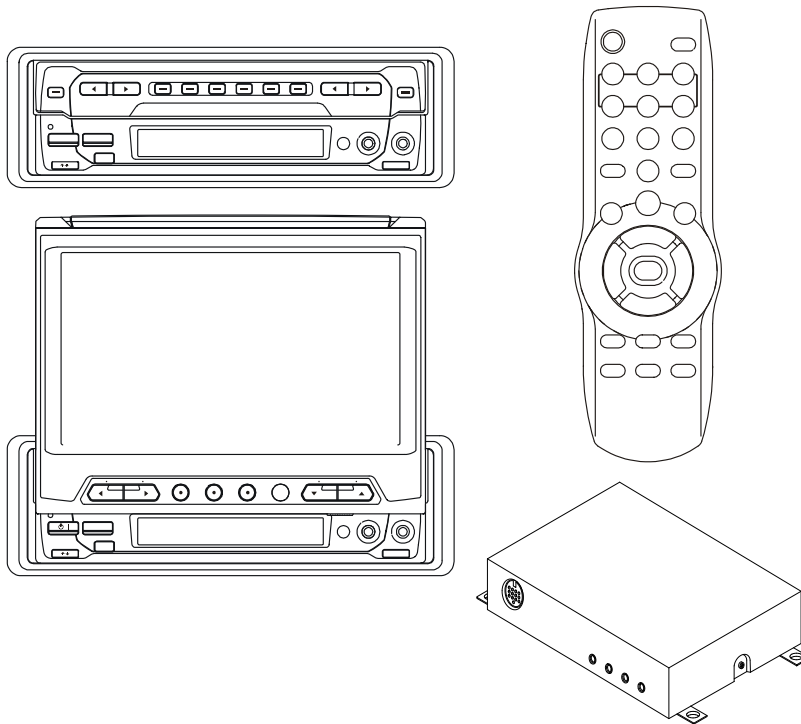


PYLE®

PLTV65R

OWNER'S MANUAL

Mobile Audio/Video System



- **AM/FM/MPX/TV-Tuner**
- **PLL Synthesizer Stereo Radio**
- **Built In Amplifier**
- **Vertical Adjustable And Horizontal Rotatable Panel**
- **Automatically Memory Storing**
- **TFT Monitor**
- **Remote Control**
- **Optional TV Tuner (Separate Box)**
- **CD Changer Control**
- **4 x 40 Watts**

www.pyleaudio.com

CONTENTS

Important Safety Instruction	3		
Installation	4		
DIN Front-Mount (Method A)	4		
Installing the unit	4		
Removing the unit	5		
DIN Rear-Mount (Method B)	6		
Wiring Connection	7		
Operation	8		
Location and function of keys	8		
Switching on/off the unit	10		
Open/close the monitor and angle adjustment	10		
Remote sensor	11		
Liquid crystal display	11		
6.5 inch TFT display	11		
Reset function	11		
Operating when the monitor not stretching out	11		
Sound mode selection	11		
Adjusting the volume	11		
Adjusting the bass	11		
Adjusting the treble	11		
Adjusting the balance	11		
Adjusting the fade	11		
Adjusting the loud	12		
Adjusting the equalization	12		
Mute	12		
Setting the clock	12		
Radio operation	12		
Switching to radio mode	12		
Selecting the frequency band	12		
Selecting station	12		
Setting memory	12		
		Automatic memory storing& program scanning	13
		Local/distant	13
		Mono/stereo	13
		Scan	13
		CDC operation	13
		Switching to CDC mode	13
		Selecting tracks	13
		Pausing playing	13
		Previewing all tracks	13
		Repeating the same track	13
		Playing all tracks in random	13
		Selecting disc	13
		Operating when the monitor stretching out	14
		Menu control operation in	14
		radio mode	14
		Menu control operation in CDC mode	15
		TV operation	15
		Switching to TV mode	15
		Selecting receiving mode	15
		Selecting channel	15
		Menu control operation	16
		Volume adjustment	16
		Screen display	16
		4:3/16:9 selector	16
		Specification	17
		Mobile TV Tuner Unit	18
		Control & Function Keys	19

IMPORTANT SAFETY INSTRUCTION

CAUTION:

Please read and observe all warnings and instructions given in this owner's manual.

Keep these instructions. Retain this booklet for future reference.

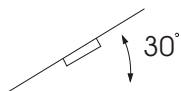
Please read the following safety instructions carefully.

1. This set has been designed and manufactured to assure personal safety. Improper use can result in electric shock or fire hazard. The safeguards incorporated in this unit protect you if you observe the following procedures for installation, use and servicing. This unit doesn't contain any parts that can be repaired by the user.
2. The monitor is operated automatically. Do not draw the monitor out or turn it upward or downward manually. Otherwise, the mechanism construction may be harmed to some degree.
3. When you operate the monitor with the remote handset, do not touch the monitor by your hands. It may harm your fingers.

INSTALLATION

Notes:

- Choose the mounting location where the unit will not interfere with the normal driving function of the driver.
- Before finally installing the unit, connect the wiring temporarily and make sure it is all connected up properly and the unit and the system work properly.
- Use only the parts included with the unit to ensure proper installation. The use of unauthorized parts can cause Malfunctions.
- Consult with your nearest dealer if installation requires the drilling of holes or other modifications of the Vehicle.
- Install the unit where it does not get in the driver's way and cannot injure the passenger if there is a sudden stop, like an emergency stop.
- If installation angle exceeds 30° from horizontal, the unit might not give its optimum performance.



Avoid installing the unit where it would be subject to high temperature, such as from direct sunlight, or from hot air, from the heater, or where it would be subject to dust, dirt or excessive vibration.

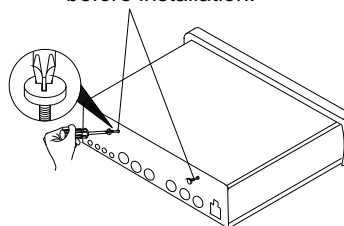
DIN FRONT/REAR-MOUNT

This unit can be properly installed either from "Front"(conventional DIN Front-mount) or "Rear"(DIN Rear-mount installation, utilizing threaded screw holes at the sides of the unit chassis). For details, refer to the following illustrated installation methods.

TAKE OUT SCREW BEFORE INSTALLATION

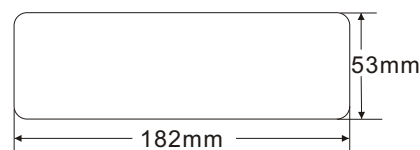
Before install the unit, please remove the two screws on the back of the unit.

Take out screw before installation.



DIN FRONT-MOUNT (Method A) Installation Opening

This unit can be installed in any dashboard having an opening as show below:

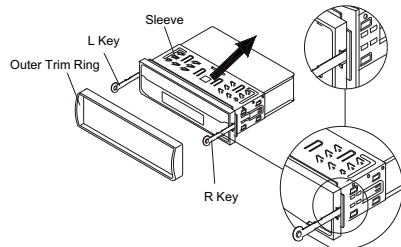


Installing the unit

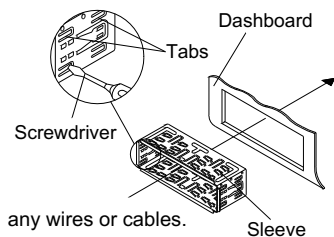
Be sure you test all connections first, and then follow these steps to install the unit.

1. Make sure the ignition is turned off, and then disconnect the cable from the vehicle battery's negative (-) terminal.
2. Disconnect the wire harness and the Antenna.
3. Lift the top of the outer trim ring then pull it out to remove it.
4. The two supplied keys release tabs inside the unit's sleeve so you can remove it. One key is for the right side and the other is for the left side. Insert the keys as far as they will go (with the notches facing up) into the appropriate slots at the middle left and right sides of the unit. Then slide the sleeve off the back of the unit.

INSTALLATION

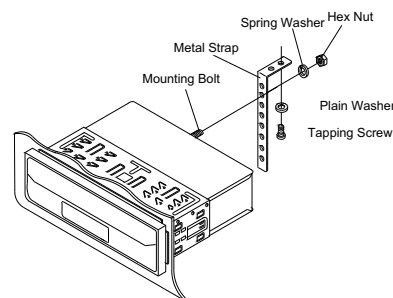


5. Mount the sleeve by inserting the sleeve into the opening of the dashboard and bend open the tabs located around the sleeve with a screwdriver. Not all tabs will be able to make contact, so examine which ones will be most effective. Bending open the appropriate tabs behind the dashboard to secure the sleeve in place.



6. Reconnect the wire harness and the antenna and be careful not to pinch any wires or cables.
7. Slide the unit into the sleeve until it Locks into place.
8. To further secure the unit, use the supplied metal strap to secure the back of the unit in place. Use the supplied hardware (Hex Nut (M5mm) and Spring Washer) to attach one end of the strap to the mounting bolt on the back of the unit. If necessary, bend the metal strap to fit your vehicle's mounting area. Then use the supplied hardware

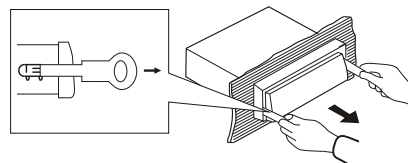
(Tapping Screw (5x25mm) and Plain Washer) to attach the other end of metal strap to a solid metal part of the vehicle under the dashboard. This strap also helps ensure proper electrical grounding of the unit.



9. Reconnect the cable to the vehicle battery's negative (-) terminal. Then replace the out trim ring.

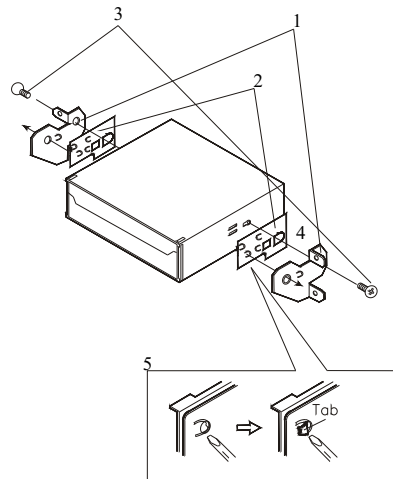
Removing the unit

1. Make sure the ignition is turned off, then disconnect the cable from the vehicle battery's negative (-) terminal.
2. Remove the metal strap attached the back of the unit (if attached).
3. Lift the top of the outer trim ring then pull it out to remove it.
4. Insert both of the supplied keys into the slots at the middle left and right sides of the unit, then pull the unit out of the dashboard.



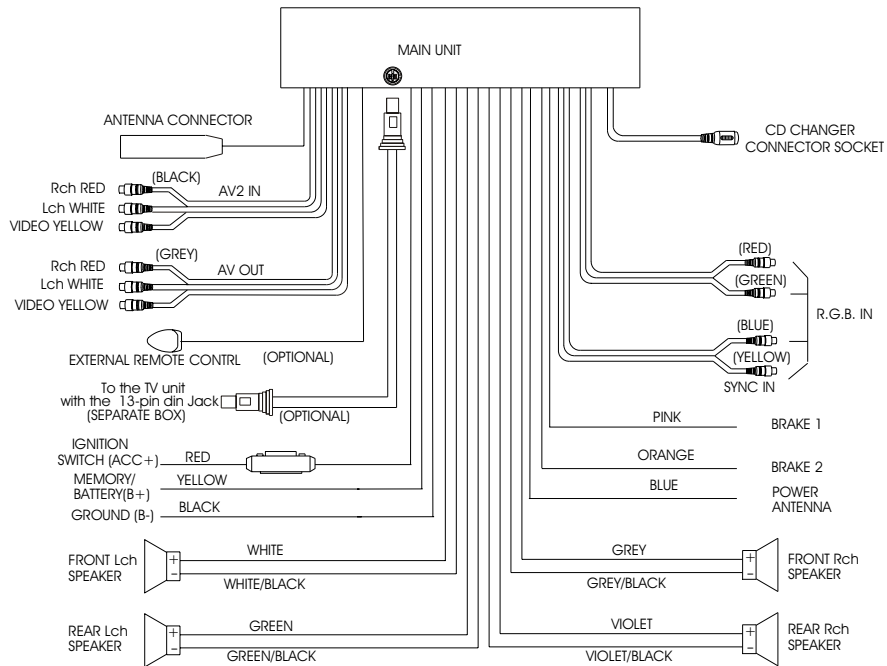
INSTALLATION

DIN REAR-MOUNT (Method B)



1. Factory radio mounting bracket
2. Car radio mounting bracket
3. Screw
4. After aligning the car radio mounting bracket with the factory radio mounting bracket, tighten the screws (5x5mm) at 2 places on each side.
5. When fix the factory radio mounting bracket with the screws, use a standard-tipped screwdriver to open the tabs of the car radio mounting bracket to make them fit into the holes in the factory radio mounting bracket.

ELECTRICAL CONNECTION



Note: The Brake 1 wire is designed to connect to the ground wire, and the Brake 2 wire is designed to connect to CPU. Be sure that these two wires can't be connected to other wires, especially the ACC+ wire and the B+ wire.

OPERATION

LOCATION AND FUNCTION OF KEYS

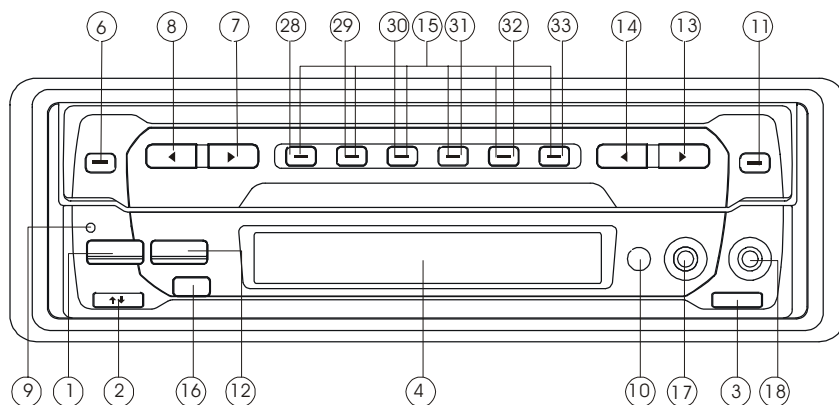


Fig.A

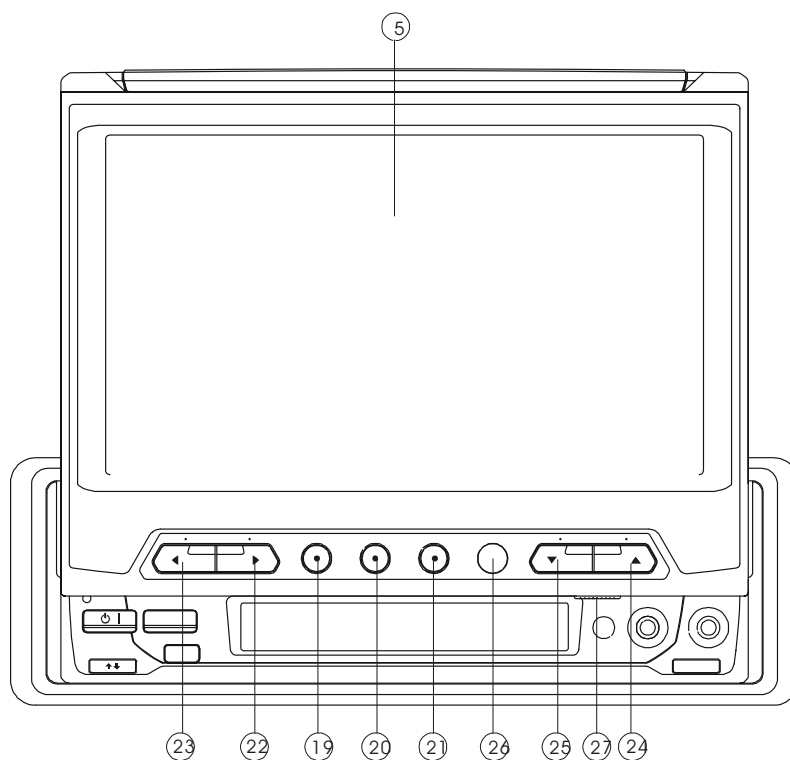
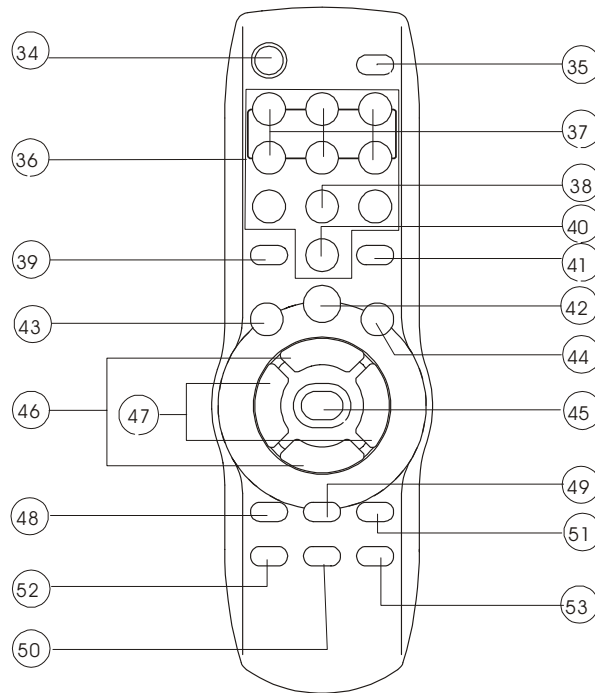


Fig.B

OPERATION

LOCATION AND FUNCTION OF KEYS



- | | |
|-------------------------------------|-------------------------------|
| 1. ⏻ / I | 27. 4:3/16:9 Selector |
| 2. OPEN/CLOSE | 28. PAU(For CDC Version Only) |
| 3. MUTE | 29. INT(For CDC Version Only) |
| 4. LCD | 30. RPT(For CDC Version Only) |
| 5. TFT Monitor | 31. RDM(For CDC Version Only) |
| 6. SEL | 32. CD-(For CDC Version Only) |
| 7. VOLUME ▶ | 33. CD+(For CDC Version Only) |
| 8. VOLUME ◀ | 34. ⏻ POWER |
| 9. Reset | 35. OPEN |
| 10. IR | 36. 0-9 Numeric Button |
| 11. BND | 37. M1-M6 |
| 12. MODE | 38. LOC |
| 13. TUNING ▶ | 39. -/- (SCAN) |
| TUNING/TRACK▶(For CDC Version Only) | 40. BAND |
| 14. TUNING ◀ | 41. TV/AV |
| TUNING/TRACK◀(For CDC Version Only) | 42. MODE |
| 15. M1-M6 | 43. MUTE |
| 16. MO/ST | 44. DISP |
| 17. AUDIO 1 IN | 45. MENU |
| 18. VIDEO 1 IN | 46. TUN/CH ▲/▼ |
| 19. MENU | 47. VOL ▲/▼ |
| 20. DSP | 48. AS/PS |
| 21. TV/AV | 49. PANEL+ |
| 22. VOLUME ▶ | 50. PANEL- |
| 23. VOLUME ◀ | 51. EQ |
| 24. CHANNEL ▲ | 52. LOUD |
| 25. CHANNEL ▼ | 53. ST/MO |
| 26. IR | |

OPERATION

SWITCHING ON/OFF THE UNIT

Switch on the unit by pressing ϕ / I **POWER** button (1) on the front panel or **POWER** button (34) on the remote control. When system is on, press it again to turn the unit off.

OPEN/CLOSE THE MONITOR AND ANGLE ADJUSTMENT

- Press **OPEN/CLOSE** button (2) on the front panel or point the remote control to **IR** (10) on the front panel and press **OPEN** button (35), the monitor will stretch automatically.

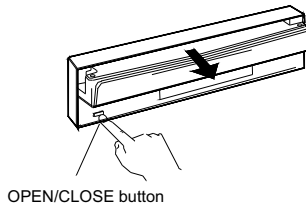


Fig.1

When the monitor stretches to a certain location, it will turn upward automatically and stop at vertical position.

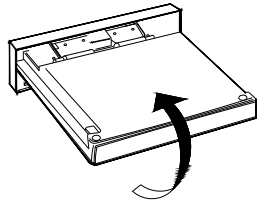


Fig.2

- Adjusting the viewing angle. When the monitor doesn't move, you can press **ANGLE+** button (49) or **ANGLE** button (50) on the remote control to turn the monitor upward or downward at fine steps to get a desired viewing angle. And you can rotate the monitor left and right from the central viewing position at a certain angle range manually. Don't rotate the monitor forcibly to avoid mechanical damage.

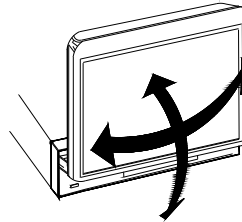


Fig.3

- Return the monitor to the central viewing position, then press **OPEN/CLOSE** button (2) on the front panel or press **OPEN** button (35) on the remote control, the monitor will turn downward automatically.

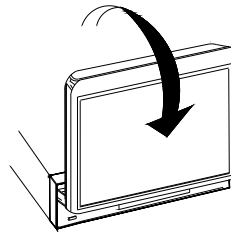


Fig.4

When the monitor turns downward to a certain angle, it will draw in.

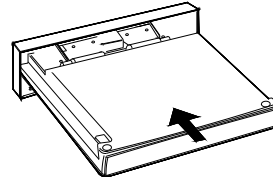


Fig.5

NOTE:

- When the monitor is on the central viewing position, switch the ignition key to "ACC OFF", the monitor will turn downward and draw in automatically.
- When the monitor is on the central viewing position, disconnect the battery cable and then reconnect the battery cable, the monitor will turn downward and draw in automatically.

OPERATION

REMOTE SENSOR

There is a remote sensor **IR** (10) on the front panel. On the monitor, there is another remote sensor **IR** (26) to receive remote control signal. You can point the remote control handset to **IR** (10) (when the monitor doesn't stretch out) or **IR** (26) (when the monitor stretches out) and press function keys on the remote control to control the TV unit.

The unit is also connected to an external remote receiver (See the electrical connection diagrams on Page 7), and the function is the same with **IR** (10) and (26).

Notes:

- The external remote receiver is placed near the monitor for the best to receiver remote signal easily.
- If the angle of the monitor from vertical exceeds $\pm 20^\circ$ (Especially the distance exceeds 3m.), controlling the TV through **IR** (10) or (26) cannot get good effect. You are suggested to use the external remote receiver.

LIQUID CRYSTAL DISPLAY

The LCD (4) can show the current state of the unit.

6.5 inch TFT DISPLAY

When the monitor stretches out, the 6.5 inch color TFT display (5) can show the current state of the unit.

RESET FUNCTION

Reset button (9) must be activated with either a ballpoint pen or thin metal object. The reset button is to be activated for the following reasons:

- Initial installation of the unit when all wiring is completed.
- All the function buttons do not operate.
- Error symbol on the display.

Note: When the monitor stretches out and on the central viewing position, activate the reset button (9), the monitor will turn downward and draw in automatically.

OPERATING WHEN THE MONITOR NOT STRETCHING OUT

When the monitor doesn't stretch out, the front panel of the unit is in state A (see Fig.A), you can operate the unit following the instructions below.

Sound mode selection

Press **SEL** button (6) on the front panel or **MENU** button (45) on the remote control to enter sound mode then press **TUNING** \blacktriangleright / \blacktriangleleft buttons (13&14) or **TUN/CH** \blacktriangle / \blacktriangledown buttons (46) to switch between volume, bass, treble, balance, fader, loud and equalization mode.

When mode has not been adjusted for several seconds, display returns to previous display status.

\blacktriangleright VOL \rightarrow BAS \rightarrow TRE \rightarrow BAL \rightarrow FAD
(Volume) (Bass) (Treble) (Balance) (Fader)
EQ mode \leftarrow LOUD mode \leftarrow

Adjusting the volume

Press **SEL** button (6) or **MENU** button (45) then press **TUNING** \blacktriangleright / \blacktriangleleft buttons (13&14) or **TUN/CH** \blacktriangle / \blacktriangledown buttons (46) to enter volume mode, and then adjust volume level using **VOLUME** \blacktriangleright / \blacktriangleleft buttons (7&8) or **VOL** \blacktriangleright / \blacktriangleleft buttons (47).

Adjusting the bass

In bass mode, adjust bass level using **VOLUME** \blacktriangleright / \blacktriangleleft buttons (7&8) or **VOL** \blacktriangleright / \blacktriangleleft buttons (47).

Adjusting the treble

In treble mode, adjust treble level using **VOLUME** \blacktriangleright / \blacktriangleleft buttons (7&8) or **VOL** \blacktriangleright / \blacktriangleleft buttons (47).

Adjusting the balance

In balance mode, adjust sound balance between left and right speakers using **VOLUME** \blacktriangleright / \blacktriangleleft buttons (7&8) or **VOL** \blacktriangleright / \blacktriangleleft buttons (47).

Adjusting the fader

In fader mode, adjust sound balance between front and rear speakers using **VOLUME** \blacktriangleright / \blacktriangleleft buttons (7&8) or **VOL** \blacktriangleright / \blacktriangleleft buttons (47).

OPERATION

Adjusting the loud

- In loud mode, use **VOLUME** \blacktriangleright / \blacktriangleleft buttons (7&8) or **VOL** \blacktriangleright / \blacktriangleleft buttons (47) to switch between loud on and off. When LOUD on, "LOUD" will show on the display (4).
- Directly press **LOUD** button (52) to reinforce the bass output. Press it again to release the function.

Adjusting the equalization

- In equalization mode, use **VOLUME** \blacktriangleright / \blacktriangleleft buttons (7&8) or **VOL** \blacktriangleright / \blacktriangleleft buttons (47) to switch between the following mode and the corresponding information appears on the LCD (4).

→ FLAT → POP → JAZZ → CLAS

- Directly press **EQ** button (51) to turn on equalization function and to select desired audio mode as above.

Mute

Press **MUTE** button (3) on the front panel or **MUTE** button (43) on remote control to cut down sound output. Press it again to resume the previous volume mode.

Setting the clock

Press **DISP** button (44) to change the display into clock display. While the current time is appeared on the LCD (4), press it again to return to frequency showing.

Holding down **DISP** button (44) for several seconds, and the time for hours is blinking on the display (4), then press **VOLUME** \blacktriangleright / \blacktriangleleft buttons (7&8) or **VOL** \blacktriangleright / \blacktriangleleft buttons (47) to switch between hours and minutes. Press **TUNING** \blacktriangleright / \blacktriangleleft buttons (13&14) or **TUN/CH** \blacktriangleup / \blacktriangledown buttons (46) to adjust the hours or minutes.

Note: When you first press **DISP** button (44), the clock will appear on the LCD, after several seconds, the clock will disappear and the LCD enter into frequency showing if you don't operate it. Then you press **DISP** button again, the

LCD remains the previous state and the clock will not appear. You should press **DISP** button once again to display the clock.

Radio operation

● **Switching to radio mode**

Press **MODE** button (12) on the front panel or **MODE** button (42) on the remote control to select radio mode, the radio mode appears in the display together with the memory band and frequency.

● **Selecting the frequency band**

Press **BND** button (11) on the front panel or **BAND** button (40) on remote control to select desired band. The reception band will change in the following order:

FM1 → FM2 → FM3 → AM1 → AM2

● **Selecting station**

During radio mode, press **TUNING** button \blacktriangleright (13) or **TUN/CH** \blacktriangleup button on remote control to increase frequency or **TUNING** button \blacktriangleleft (14) or **TUN/CH** \blacktriangledown button on remote control to decrease frequency by one step of channel spacing. Hold the button longer for fast tuning. The frequency is updated correspondingly on display.

● **Setting memory**

Press preset memory buttons (1~6) (15) on the front panel or Radio Preset buttons (1~6) (37) on remote control to preset stations at radio mode. With this system, a total of 30 stations can be stored in the memory of six buttons. Each band stores up to six preset stations.

The stations might be FM1, FM2, FM3, AM1/MW and AM2/LW band. The operation is as below:

- **Store in Memory**

Press and hold desired memory location button for several seconds. The current listening station will be stored into the number button.

OPERATION

- **Retrieve a Preset Station**
Press any one of the buttons (15) on the front panel or (37) on remote control to retrieve a station which had been stored in the memory in advance the chosen number is shown on display.
 - **Automatic memory storing & program scanning**
 - Automatic memory storing
Press **AS/PS** button (48) for several seconds, the radio searches from the current frequency and checks the signal strength until one cycle search is finished. And then 6 strongest stations are stored into the corresponding preset number button.
 - Program scanning
Press **AS/PS** button (48) shortly to scan preset station. When the field strength level is more than the threshold level of stop level. The radio is holding at that preset number for several seconds with release mute, then searches again.
 - **Local/distant**
Press **LOC** button (38) on remote control to select between local and distant stations.
Local setting for reception of strong station, and a distant setting for reception of weaker stations. This function is effect during AUTO SEEK operation.
 - **Mono/stereo**
Press **MO/ST** button (16) on the front panel or **ST/MO** button (53) on remote control to select mono or stereo mode. You can sometimes improve reception of distant stations by selecting mono operation.
 - **Scan**
Press **-/-- (SCAN)** button (39) on remote control to set the function to scan mode, which scanning to higher frequency station with receivable signal and keep on each station for several seconds. At this time, press any one of the buttons (15) on the front panel or (37) on remote control, the current scanned station will be stored into the corresponding number button, then it keeps on scanning other stations.
- **CDC operation**
 - **Switching to CDC mode**
Press **MODE** button (12) on the front panel or **MODE** button (42) on the remote control to select CDC mode.
 - **Selecting tracks**
Press **TUNING/TRACK ◀** button (14) on the front panel to move to the previous track; press **TUNING/TRACK ▶** button (13) on the front pane lto move to the next track. The track number shows on the display(4).
 - **Pausing playing**
Press **PAU** button (28) on the front panel to pause CD play. Press it again to resume play.
 - **Previewing all tracks**
Press **INT** button (29) on the front panel to play the first 10 seconds of each track on the current disc. Press it again to stop intro and listen to track.
 - **Repeating the same track**
Press **RPT** button (30) on the front panel to continuously repeat the same track on the current disc. Press it again to stop repeating.
 - **Playing all tracks in random**
Press **RDM** button (31) on the front panel to play all tracks on the current CD in random order. Press it again to cancel the mode. In the course of playing a track, press **TUN/CH ▲/▼** buttons (46) to play another track in random order.
 - **Selecting disc**
Press **CD+** button (33) on the front panel to select next disc and press **CD-** button (32) on the front panel to select previous disc.

OPERATION

OPERATING WHEN THE MONITOR STRETCHING OUT

When the monitor stretches out, the front panel of the unit is in state B (see Fig.B), you can operate the unit by using the current menu displayed on the 6.5 inch color TFT display (5).

And if the unit is connected to other TV unit through the cable with the 13-pin din plug on each terminal, there have radio mode, TV mode and CDC mode to be selected. When the unit isn't connected to other TV unit through the cable, there have radio mode, AV mode and CDC mode to be selected. The other operations are the same with the operation when the front panel in state A and those will not be described below, you can refer to the above details.

Menu Control operation in radio mode

Press **MODE** button (12) on front panel or **MODE** button (42) on remote control to select radio mode. The following information will appear on the display (5).

FM1 87.5 MHz			
STEREO DX			
VOLUME	36	M1	87.50
BASS	0	M2	90.10
TREBLE	0	M3	98.10
BALANCE	L-R	M4	106.10
FADER	F-R	M5	108.00
LOUD	OFF	M6	87.50
EQ	FLAT		

Press **MENU** button (19) or (45), the VOLUME will be selected, then press **TUN/CH** ▲/▼ buttons (46) to select the item upward or downward. Then press **VOL** ◀/▶ buttons (47) to adjust the selected item. The corresponding value will show on the display.

Press any one of the Radio Preset buttons (1~6) (37) to retrieve a station between M1~M6. The corresponding number will show on the display.

Press **LOC** button (38) on remote control to select between "LOC" and "DX".

Press **MO/ST** button (16) on the front panel or **ST/MO** button (53) on remote control to select "MONO" or "STEREO".

FM1 98.10 MHz			
MONO LOC			
VOLUME	30	M1	87.50
BASS	2	M2	90.10
TREBLE	2	M3	98.10
BALANCE	L-R	M4	106.10
FADER	F-R	M5	108.00
LOUD	ON	M6	87.50
EQ	POP		

When press **DSP** button (20) on the front panel or **DISP** button (44) on remote control, the current time appears on the screen display (5) and LCD (4). And the clock on the screen display (5) will not disappear if you don't operate it after several seconds, but the clock on the LCD will disappear. Press **DSP** button (20) or **DISP** button (44) again, the clock on the screen display (5) will disappear. Then press the button once again, the clock will appear again.

FM1 87.5 MHz			
STEREO DX			
10:12:22			
VOLUME	36	M1	87.50
BASS	0	M2	90.10
TREBLE	0	M3	98.10
BALANCE	L-R	M4	106.10
FADER	F-R	M5	108.00
LOUD	OFF	M6	87.50
EQ	FLAT		

When the clock appears on the screen display, hold **DSP** button (20) or **DISP** button (44) to select 10 for hours:

FM1 87.5 MHz			
STEREO DX			
10:12:22			
VOLUME	36	M1	87.50
BASS	0	M2	90.10
TREBLE	0	M3	98.10
BALANCE	L-R	M4	106.10
FADER	F-R	M5	108.00
LOUD	OFF	M6	87.50
EQ	FLAT		

OPERATION

Then you can press **VOL** ◀/▶ buttons (48) to select hour or minute and press **TUN/CH**▲/▼ buttons (47) to change the corresponding item.

Menu Control operation in CDC mode

Press **MODE** button (12) on front panel or **MODE** button (43) to select CDC mode. The following information will appear on the display (5).

CDC PLAY 00:12			
VOLUME	36	DISC	01
BASS	0	TRACK	01
TREBLE	0		
BALANCE	L-R		
FADER	F-R		
LOUD	OFF		
EQ	FLAT		
-----■-----			

Press **MENU** button (19) or (45), the **VOLUME** will be selected, then press **TUN/CH**▲/▼ buttons (46) to select the item upward or downward. Then press **VOL** ◀/▶ buttons (48) to adjust the selected item. The corresponding value will show on the display.

Respectively press **PAU** (28), **INT** (29), **RPT** (30), **RDM** (31), **CD-** (32), **CD+** (33) button on the panel to enter the corresponding function referring to the CDC operation described above, the corresponding information (such as PAUSE, INTRO, REPEAT, RANDOM and the disc number) will appear on the display (5).

CDC PLAY 00:24			
VOLUME	36	DISC	03
BASS	0	TRACK	02
TREBLE	0		
BALANCE	L-R		
FADER	F-R		
LOUD	OFF		
EQ	FLAT	REPEAT	
-----■-----			

Directly press **TUNING/TRACK** button (14) on the panel to move to the s previous track; press **TUNING/TRACK** button (13) on the panel control to move to the next track.

TV operation (when the unit is connected to other TV unit through the cable with the 13-pin din plug on each terminal)

● Switching to TV mode

Press **MODE** button (12) on the front panel or **MODE** button (42) on remote control to select TV mode and the memory channel will show on the TFT display (5).

● Selecting receiving mode

In TV mode, press **TV/AV** button (21) or (41) to select among TV/ AV1/AV2/ RGB (optional). The corresponding state will show on the TFT display (5). When you connect the RGB terminals on the back of the unit to the corresponding RGB system, then press **MODE** button on remote control to select RGB mode, the RGB signal will appear on the screen.

Note: You can receive the TV/AV1 /AV2 mode when you brake the car. If you are driving the car, you can't receive the picture signal in TV/AV1 /AV2 just receive the sound signal, it is blue screen then.

● Selecting channel

- Press **CHANNEL** ▲ button (24) or **TUN/CH** ▲ button on remote control to choose channel upward and or Press **CHANNEL** ▼ button (25) or **TUN/CH** ▼ button on remote control to choose channel downward.
- The numeric buttons (0,1~9) (36) allow you to select the corresponding channel directly.
- Press digital select button (-/-) (39) cooperatively used with numeric buttons to select channel desired. For example, when you want select 16 channel, press -/- (39) to switch between "-" and "--", when the "--" appears on the

OPERATION

display, you can press "1" button then press "6" button to select 16 channel.

- **Menu control operation**

In TV mode:

Press **MENU** button (19) or (45). The menu will show on the display (5).

(For the unit with NTSC system):

COLOR	40
BRIGHT	40
CONTRAST	40
TINT	40
SEARCH	
-----■-----	

Press **TUN/CH▲/▼** buttons (46) to select the item upward or downward. Then press **VOL◀/▶** buttons (47) to adjust the selected item. The corresponding value will show on the display.

When select SEARCH item, press **VOL◀/▶** buttons (47) to start auto searching then press **TUN/CH▼** button on remote control to stop searching.

In AV mode:

Press **MENU** button (19) or (45). The menu will show on the display (5).

(For the unit with NTSC system):

COLOR	40
BRIGHT	40
CONTRAST	40
TINT	40
-----■-----	

Press **TUN/CH▲/▼** buttons (46) to select the item upward or downward. Then press **VOL◀/▶** buttons (47) to adjust the selected item. The corresponding value will show on the display.

- **Volume adjustment**

Press **VOLUME◀/▶** buttons (23&22) or **VOL◀/▶** buttons (47) to adjust volume level.

- **Screen display**

Press **DSP** button (20) on the front panel or **DISP** button (44) on remote control to display the current status such as TVch /AV1/AV2. Press **DSP** button (20) or **DISP** button (44) again to show the current time. If you don't operate over 5 seconds, the information on the screen will disappear.

- **4:3/16:9 Selector**

Slide the 4:3/16:9 switch (27) on the monitor panel to select appropriate TV aspect (4:3 or 16:9).

SPECIFICATION

GENERAL

Power Supply Requirements : DC 12 Volts, Negative Ground
Maximum Output Power : 4x40 watts
Current Drain : 15 Ampere (max.)

TV

Monitor Screen Size : 6.5" TFT
Resolution : 1440 x 234 dots
TV Sensitivity : 45dB μ V @CH25 in average

RADIO

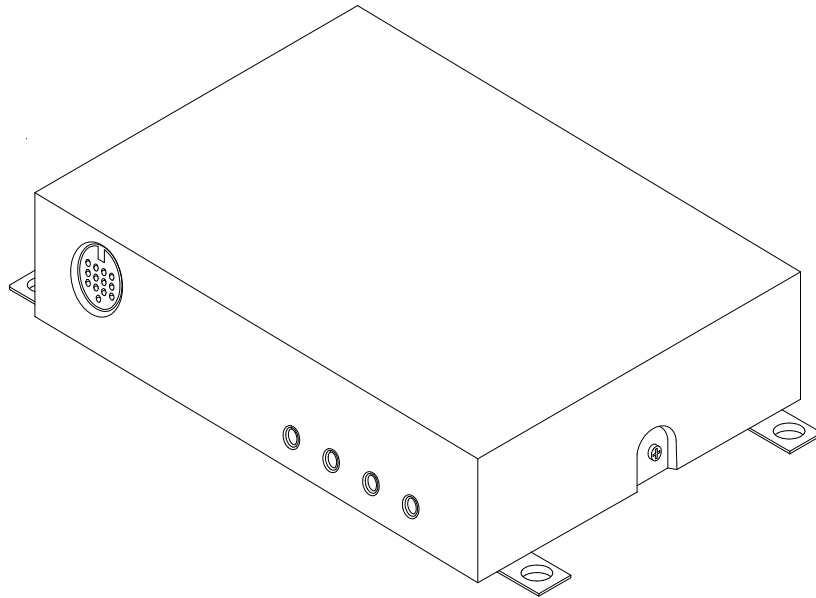
FM

Frequency Coverage : 87.5 to 107.9 MHz
Sensitivity (S/N=30dB) : 4 μ V
Image Rejection : >45dB
Stereo Separation : >25dB

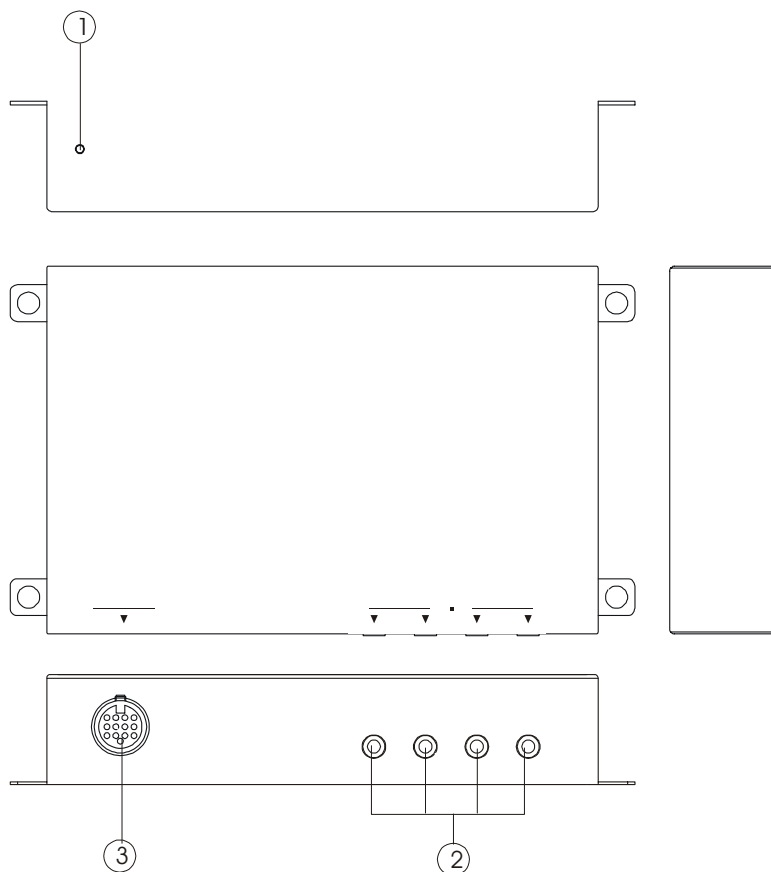
AM

Frequency Coverage : 530 to 1720 kHz
Sensitivity (S/N=20dB) : 36 dBu
Image Rejection : 45 dB

MOBILE TV TUNER UNIT



CONTROL & FUNCTION KEYS



This unit can't be used separately and it must be used with other special system with the 13 -pin cable. The unit is connected to another system through the 13-pin din socket (3). And the unit can receive TV signal through the antenna input jack (2).

1 POWER INDICATOR LIGHT

When the unit is connected to the other system with the 13-pin din cable and the other system turns on, the power indicator light (1) will be illuminated red and the unit turns on.

2 DIVERSITY ANTENNA INPUT

There are four antenna input jacks (2) for antenna input.

3 MONITOR

Use one 13-pin cable to connect the unit and other system. One terminal is connected to the 13-pin din socket (3) of the unit and the other terminal is connected to other system.

www.pyleaudio.com

88-T1690-04

Free Manuals Download Website

<http://myh66.com>

<http://usermanuals.us>

<http://www.somanuals.com>

<http://www.4manuals.cc>

<http://www.manual-lib.com>

<http://www.404manual.com>

<http://www.luxmanual.com>

<http://aubethermostatmanual.com>

Golf course search by state

<http://golfingnear.com>

Email search by domain

<http://emailbydomain.com>

Auto manuals search

<http://auto.somanuals.com>

TV manuals search

<http://tv.somanuals.com>