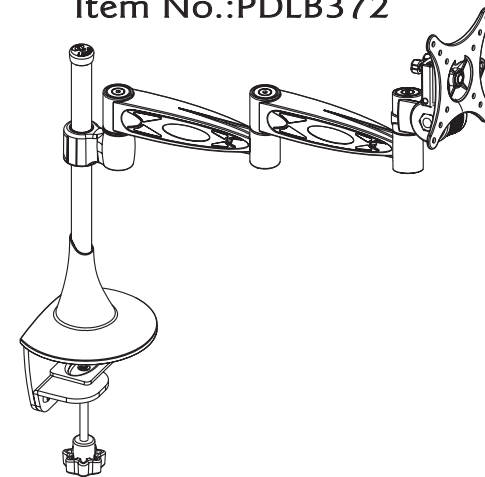




Desktop Bracket

INSTALLATION GUIDE

Item No.:PDLB372



- TV Size Range:10" ~24"
- Max load capacity: 15Kg/33lbs
- Integrated Cable management
- Angle Adjustable

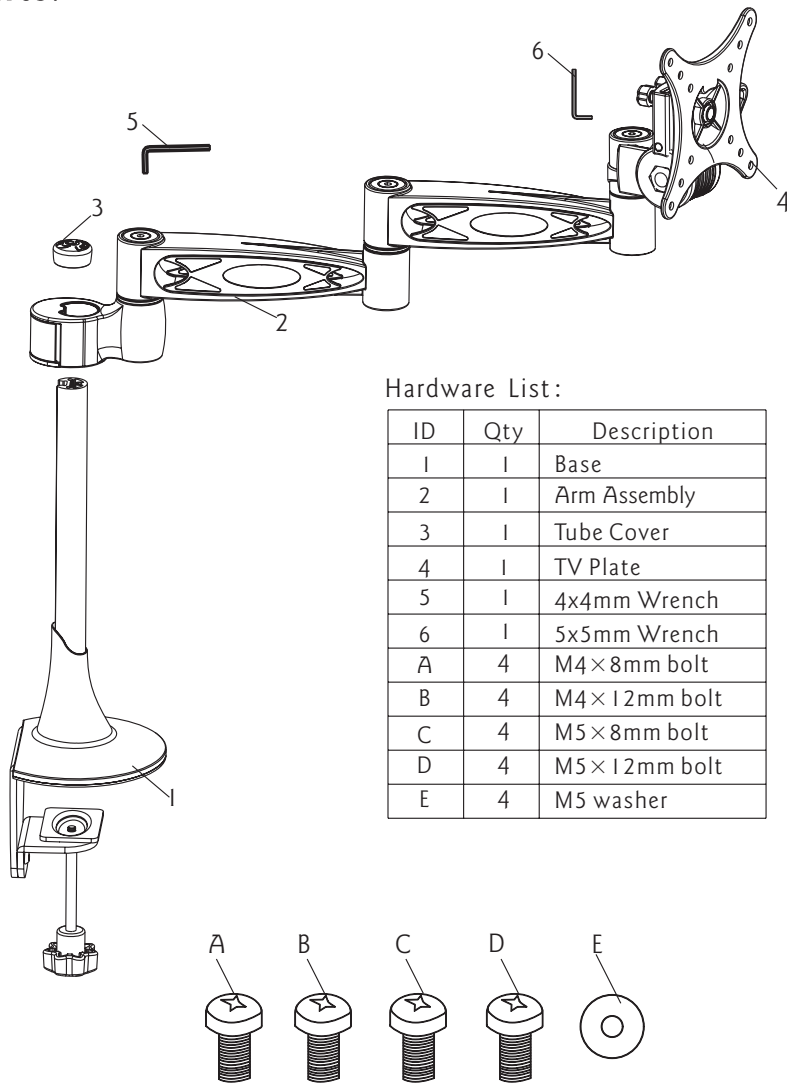
www.pyleaudio.com

MADE IN CHINA

Thank you for choosing our products

Pyle Audio
1600 63rd st , Brooklyn, NY, 11204
(718)236-8000

Parts:



Hardware List:

ID	Qty	Description
1	1	Base
2	1	Arm Assembly
3	1	Tube Cover
4	1	TV Plate
5	1	4x4mm Wrench
6	1	5x5mm Wrench
A	4	M4×8mm bolt
B	4	M4×12mm bolt
C	4	M5×8mm bolt
D	4	M5×12mm bolt
E	4	M5 washer

Display Adjustments

Roll Control

Function - Horizontal leveling of the display.

Operation - Grasp the sides of the display, and roll it into the desired position. Then adjusting Roll Tension .

Angle adjusting

1. Adjusted with the TV plate .

With circumvolve the wall Plate ,TV can adjust in the direction of left, right ,up and down. Vertical Adjusting Angle is from -5° to 20° . Level Adjusting Angle is 20° .

Choose the desired angle and turn clockwise the Tension Knob on the right of the arm.

2. Adjusted with the arms.

With circumvolve the arms, TV can turning to two sides of the base support until touch the vertical tube. First joint adjusting angle is $\pm 90^{\circ}$, second is $\pm 90^{\circ}$, third is $\pm 135^{\circ}$.

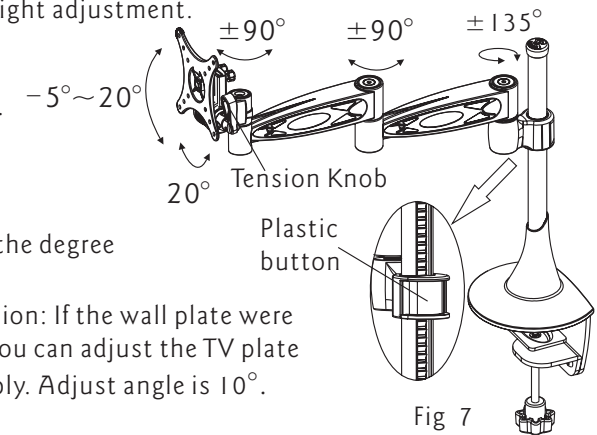
Vertical height adjustment

You can adjust the arm assembly up without any other action, but before you lower the arm assembly, you should push the plastic button first. 0~110mm vertical height adjustment.

Caution: The turning angle is not too large. $-5^{\circ} \sim 20^{\circ}$. Or it may result in personal injury or product damage.

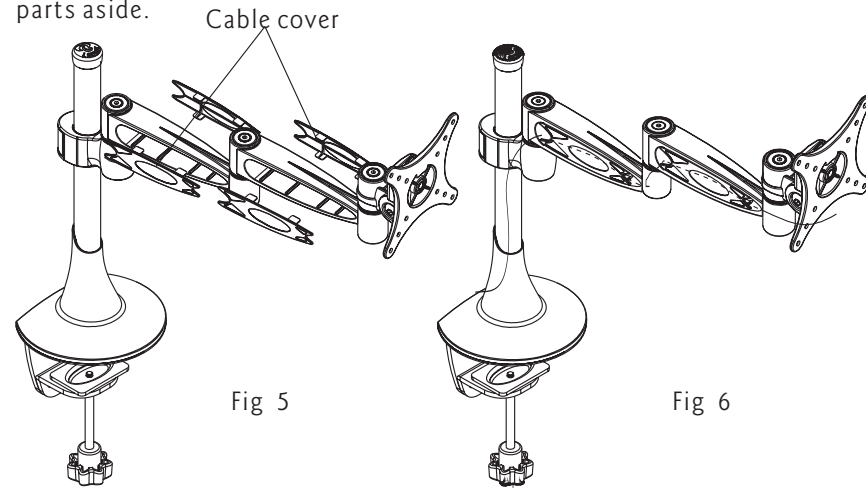
Use Wrench to adjust the degree of those joints.

Has correctional function: If the wall plate were installed imbalance, you can adjust the TV plate to lever off the assembly. Adjust angle is 10° .



Step 6 Using Cable Management

The mount include a cable management function, where cables can be routed along the length of the arm assembly. To install cables, you'll first need to remove the cable covers and set all parts aside.



Route the cables along one side of the Inner Arm (nearest the wall plate). With cables in place, loosely secure the Inner Arm cable covers back in place. Next, route the cables along the opposite side of the Outer Arm. Be sure to leave slack in the cable where it transitions between two sides of the Arm Assembly. With cables in position, loosely secure the Outer Arm cable covers back in place.

Note: For best system performance, route the AC power cable separately from the signal cables.

With all cables in place, pull the display in and out and check that the arm assembly moves freely, without stretching or damaging the cables, and then secure the cable covers.

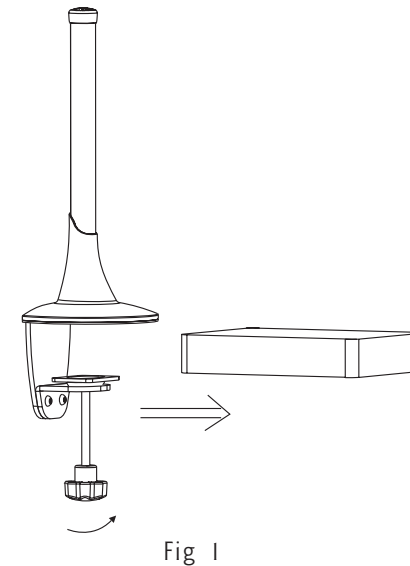
Important: DO NOT use a hex wrench on the cable covers, only apply pressure with your finger.

Step 1 Choose fitting position on the desk.

Choose the position that the Base you want installed. Important: Make sure there is enough space to spread display, considering the show size.

Step 2 Attach Base

The thickness of the table should be smaller than 55mm.

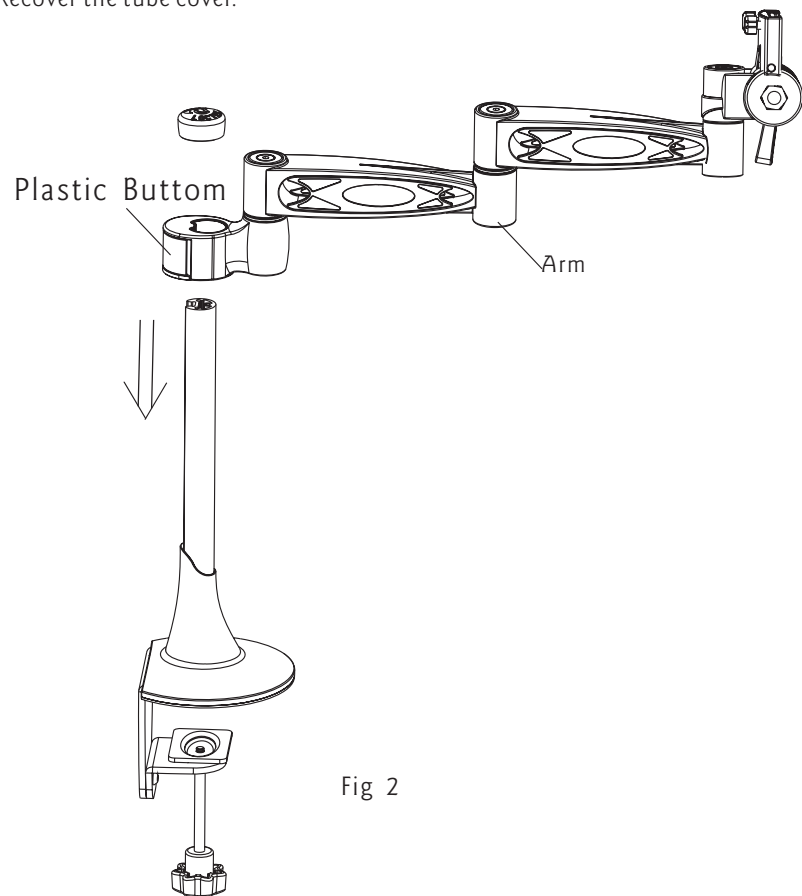


We are not responsible for any personal injury or product damage due to mishandling, incorrect mounting, incorrect assembly or incorrect use of this product.



Step 3 Arm Assemble

Remove the Tube Cover. Push the Plastic Button down and assemble the Arm. Adjust the arm assembly to the desired height then free the Plastic Button. Recover the tube cover.

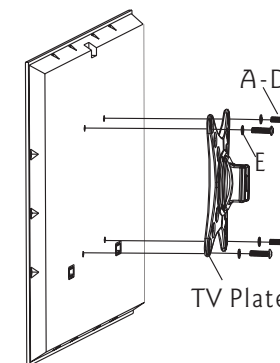


Step 4 Installing the LCD

According LCD hole's size, deep, position to choose bolts. Using chose bolts(A-D) and washers(E) to install the LCD on the panel. As shown in Fig3.

Carefully: Don't force the bolt to LCD hole, avoiding damage to people and instrument. Don't use electronics drill to fasten screw

Caution : This Product LCD /Plasma Wall Mount Bracket is intended for use only with the maximum weights indicated .See apparatus instructions .Use with products heavier than the maximum weights indicated instability causing possible injury .

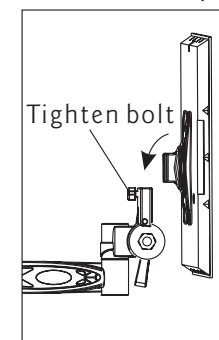


Step 5 Hang the display

Firstly lift up the TV plate installed the LCD, making the trough on the arm fit to the trough on it ,according trough to embed the TV plate into the wall plate.

Once the TV is positioned in place, fasten the Tighten Bolts on Receiving Joint clockwise to secure the display to the Arm Assembly.

Warning: Some TV require two people to lift, as we are not responsible for any personal injury or product damage due to mishandling.



Free Manuals Download Website

<http://myh66.com>

<http://usermanuals.us>

<http://www.somanuals.com>

<http://www.4manuals.cc>

<http://www.manual-lib.com>

<http://www.404manual.com>

<http://www.luxmanual.com>

<http://aubethermostatmanual.com>

Golf course search by state

<http://golfingnear.com>

Email search by domain

<http://emailbydomain.com>

Auto manuals search

<http://auto.somanuals.com>

TV manuals search

<http://tv.somanuals.com>