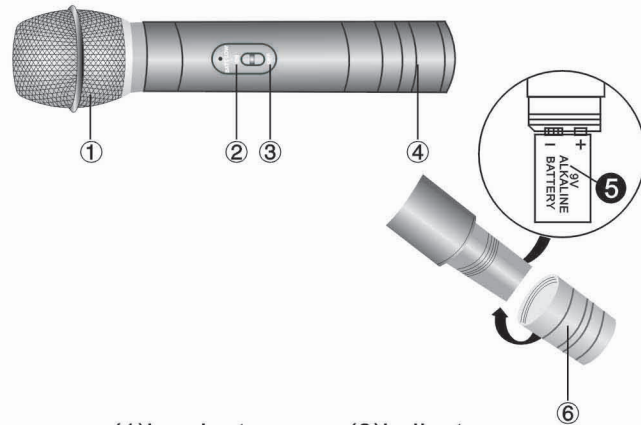
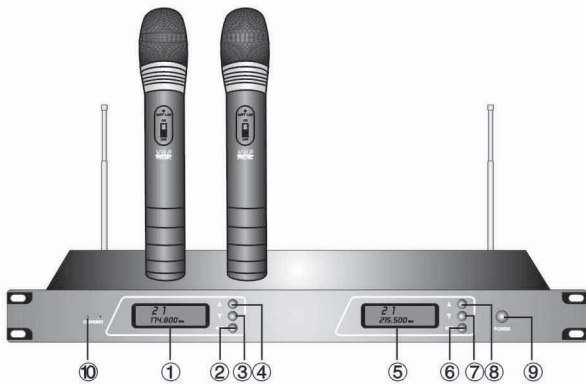


## 19" Rack Mount Dual VHF wireless Rechargeable Hand-Held Microphone System

### Part name (Hand-held microphone)

### Function

#### Front Panel



- |                 |                  |
|-----------------|------------------|
| (1)headnet      | (2)indicator     |
| (3)power switch | (4)power case    |
| (5)Battery      | (6)Battery cover |

(1) (5)LCD:when power is on, it becomes green which can show FREQ (receiving frequency of the device);00~30 (rate of sound volume).Line A/B (channel A or B);  $\nabla$  (radio frequency indicator) which shows the level of the signal when the microphone is on." ))) " (acoustical frequency level indicator) it waves with the sound of microphone, from 0dB-35dB to "██████"

(2) (6)press button(SET)to set the functions of the device; for the volume, press the button, the code number(00-32) flashes on the LCD, push the "△"or"▽"button to choose the suitable value of the sound, then push the button again, and the value on the LCD stops flashing, setting is completed.

(3) (7)Volume control key"-"; to be used together with the set button to decrease the sound, less value lower sound.

(4) (8)Volume control key"+"; to be used together with the set button to increase the sound, bigger value, lower sound.

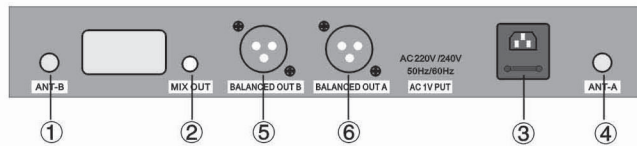
(9)power button press this button, the electric power will be on and the receiver stats to work and the display panel lights.

(10)Indicator of charging: put the rechargeable battery into the battery case, the indicator is on, it will be dark after full charging.

### Operation

- 1.Please take the following working flow diagram for reference on using this machine-connect the mix out of receiver with mic input on the amplifier.
- 2.Power 110V, switch the power, set the volume of your sound equipment.
- 3.Adjust the volume in right sound, make MIC1 and MIC2 harmony, which will make you enjoying the sound well.
- 4.Please plug out the power if you will not use the machine long time.

## Rear Panel



(1) (4)ATTN Port: install ATTN A. ATTN B

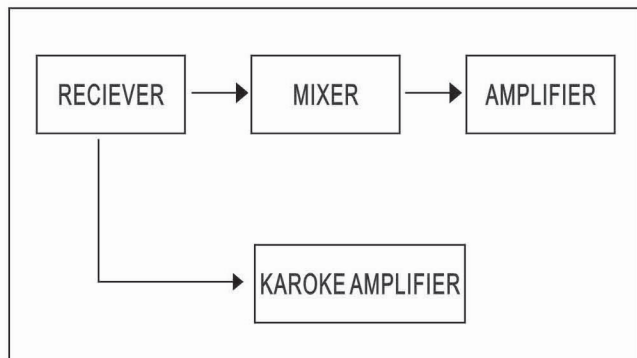
(2)Mix out socket

(3)power: 110V/60Hz

(5)channel B Audio out

(6)channel A Audio out

## System connection flow diagram



## Installation of reciever

- Keep the machine 1m above the ground
- Keep the machine away 1m against the wall.
- Pull the antenna up rightness fully
- Make the transmitter point to the antenna without barrier
- Keep the reciever away any digital equipment(such as CD,VCD,PC. or other radio equipment)

## Operation Of Hand Held Transmitter

1. First open the battery housing in anti-clockwise direction.
2. Conserve the battery inside on the + - polarity of battery.
3. Fit the battery compartment back in clock wise direction.
4. Pull the sliting switch of the grips to the first stage, to the out correct signal is sent out, the white LED indicator is light. pull second stage so as to be ready for transmitting speech.
5. Remove the sliding switch to the "off" side when it is not used. If it is not used for a long time. Please take out the battery.
6. When filp the LED power switch of grip up. If one is light. the volume of battery is normal, if the LED indicator is light all the time. If the LED. indicator is neither bright, nor light, the battery is used up recharge the battery.

## Specifications

- Professional VHF 2 Channel Wireless System
- Dual Handheld Microphones Included
- Dual Telescoping Receiver Antennas
- Dual Volume Controls With Digital Readout
- Dual Charging System
- On/Off Broadcasting Switch
- 1/4" Individual line outputs & Mixed 1/4" Outputs
- Carrier Frequency: 174MHz-216MHz
- Dynamic Range: 100dB
- Total Harmonic Distortion: 0.5%
- Frequency Response: 40Hz~18KHz
- Operation Range: 50-180 Meters
- Signal to Noise Ratio: 105dB
- Receiver Power Supply: AC 110V/240V
- Microphone Power Source: 8.4 Volt Rechargeable
- Receiver Dimensions: 1.8" X 18.9" X 1.3"
- Microphone Dimensions: 9.6" X 0.7" X 0.5"

## Free Manuals Download Website

<http://myh66.com>

<http://usermanuals.us>

<http://www.somanuals.com>

<http://www.4manuals.cc>

<http://www.manual-lib.com>

<http://www.404manual.com>

<http://www.luxmanual.com>

<http://aubethermostatmanual.com>

Golf course search by state

<http://golfingnear.com>

Email search by domain

<http://emailbydomain.com>

Auto manuals search

<http://auto.somanuals.com>

TV manuals search

<http://tv.somanuals.com>