



PDWM-2600

DUAL UHF WIRELESS MICROPHONE SYSTEM
OPERATION MANUAL



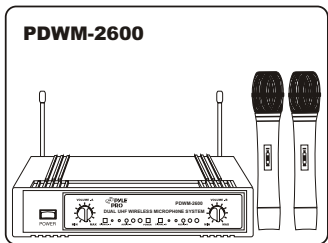
BEFORE ATTEMPTING TO CONNECT, OPERATE OR ADJUST THIS PRODUCT, PLEASE READ THIS MANUAL COMPLETELY.

www.pyleaudio.com

PDWM-2600

DUAL UHF WIRELESS MICROPHONE SYSTEM OPERATION MANUAL

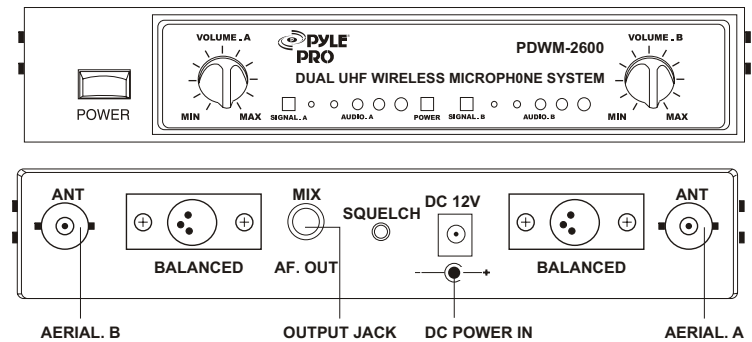
Thanks for your support and trust to us while choosing our wireless microphone series with excellent quality. To ensure it functions well, Please read this manual carefully before operation.



- Avoid exposure of the system to rain or moisture.
- No user-serviceable parts inside the system. Refer all servicing to a qualified technician only.
- Handle the microphone carefully, dropping or other shocks may cause failure.
- Avoid using the system where it may be subjected to heat, such as in direct sunlight, near radiators or other heat sources.
- Should any liquid be spilt on the system, stop using it immediately. It may be possible to dry the system, but you should have it checked by a qualified technician before using it again.
- Take care with the mains power adapter and lead. If damaged in any way, do not use the system, and refer to a qualified technician for repair.
- Only use the system with the supplied components, do not attempt to use with any other mains power supply adapter .
- If the microphone is not going to be used for a time, remove the battery to prevent leakage. In the event of electrolyte leakage inside the battery compartment, carefully remove using a damp cloth. Take care not to get battery electrolyte in contact with your skin, however, if it does, wash your hands under a running tap. If electrolyte comes into contact with your eyes, seek medical advice immediately.
- Only replace the battery with the same or an equivalent type.
- Please dispose of old batteries in an environmentally friendly manner in accordance with the relevant legislation.
- Do not use any solvents to clean any part of the wireless microphone system .

---1---

RECEIVER UNIT/operation



OPERATION

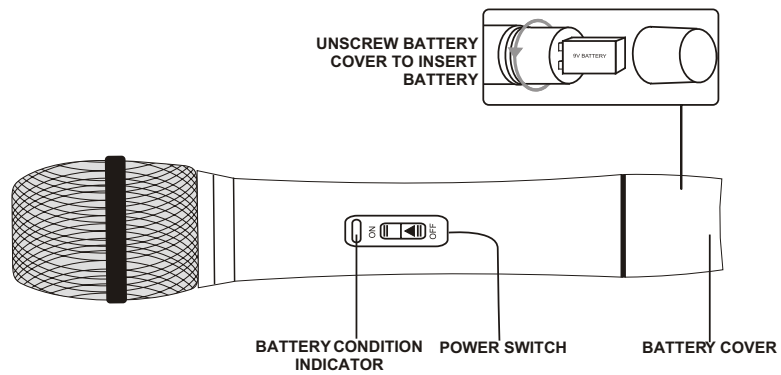
Switch on the wireless microphone receiver unit by pressing the POWER switch and the POWER light will illuminate to show the receiver unit is working. Raise the aerials to the maximum height. The positioning of the aerials is not critical for performance; ideally it should be fully extended. Switch ON the microphone, checking that the red LED comes on for a second and then goes off. When the microphone is ON, the SIGNAL light will illuminate on the receiver unit.

The wireless microphone is now ready for use; adjust the volume and tone levels of your amplifier system as well as the receiver & the handheld mic as required. When the wireless microphone is not being used, turn OFF the microphone.

Note that switching the microphone on and off can cause interference that will be heard if the microphone volume level of the amplifier system is still set high.

---2---

HANDHELD MICROPHONE/DIAGRAM



MICROPHONE BATTERY.

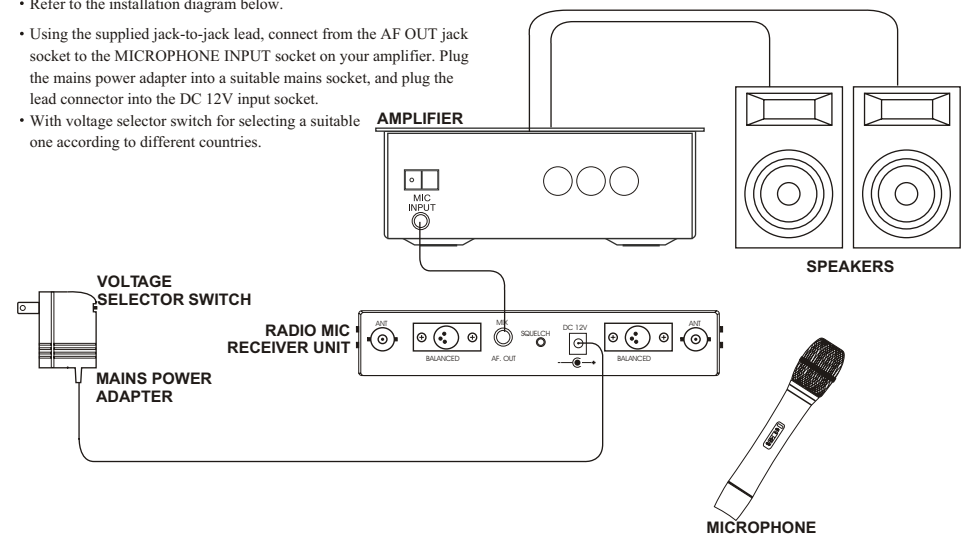
- Unscrew the battery cover at the end of the microphone, Install the provided 9 volt battery, taking care to fit it with the correct polarity connected,
- Check the battery by switching the microphone ON, The red LED will come on for one second and then go OFF, this indicates correct operation, If the red LED stays ON or is dim, this indicates the battery is low and should be changed, If the red LED does not come on at all, it indicates the battery is dead, please change it right now,

---3---

INSTALLATION

To connect the wireless microphone to your amplifier system:

- Refer to the installation diagram below.
- Using the supplied jack-to-jack lead, connect from the AF OUT jack socket to the MICROPHONE INPUT socket on your amplifier. Plug the mains power adapter into a suitable mains socket, and plug the lead connector into the DC 12V input socket.
- With voltage selector switch for selecting a suitable one according to different countries.



---4---

TROUBLE SHOOTING

Please read and check the following points before asking for service.

The wireless microphone fails to work:

- check the microphone battery by switching the microphone ON, the red LED battery condition indicator should come on for a second and then go off. If the red LED stays on or is dim, replace the battery. If the red LED fails to come on, check the battery polarity or change battery.
- Check the POWER indicator on the receiver unit is ON, if not, check the mains power adapter is firmly plugged into a working mains socket.
- Check the amplifier system is ON and the microphone controls set correctly.
- Check the wireless microphone jack lead is firmly connected into the output socket on the rear panel of the receiver unit, and into the MIC input socket on your amplifier.

The working range is limited:

- Check the microphone battery condition (see above)
- Check the aerials are fully extended. Adjust the position of aerials to achieve the best reception.

Feed back (howl-round) is heard:

- Check that the microphone is not being used too close to, or in front of, the loudspeakers.
- Check the settings of the microphone controls on the amplifier, adjust volume and tone to get the best sound without any trace of feedback.

---5---

SPECIFICATIONS

A. OVERALL SYSTEM

1. Oscillation mode:	Quartz controlled
2. Carrier Frequency Range:	UHF690-960MHz
3. Stability:	+/-0.005%
4. Max Deviation:	+/-56KHz with level limiting
5. Dynamic Range:	>110dB
6. S/N Ratio:	> 100dB
7. T. H. D:	≤0.5%
8. Squelch:	"Pilotone & noise-lock" dual squelch circuit
9. Frequency Response:	60 Hz- 18KHz
10. Operation range:	200ft

B. REVELVER

1. Sensitivity:	6dBpv at S/N >70dB
2. Image Rejection:	>60dB
3. Stability:	>80dB
4. Audio output:	-12db/600ohm unbalanced and balanced
5. Power supply:	12V-15VDC/0.5A power supply
6. Dimensions:	10.8"L x 5.9"W x 14.2"H
7. Weights:	1.0kg approx

C. WIRELESS MICROPHONE

1. Mike capsule:	Dynamic microphone
2. Antenna:	Built-in housing
3. RF Output:	<10mW
4. Spurious:	<-40dBC
5. Battery:	one 9V battery

---6---

Free Manuals Download Website

<http://myh66.com>

<http://usermanuals.us>

<http://www.somanuals.com>

<http://www.4manuals.cc>

<http://www.manual-lib.com>

<http://www.404manual.com>

<http://www.luxmanual.com>

<http://aubethermostatmanual.com>

Golf course search by state

<http://golfingnear.com>

Email search by domain

<http://emailbydomain.com>

Auto manuals search

<http://auto.somanuals.com>

TV manuals search

<http://tv.somanuals.com>