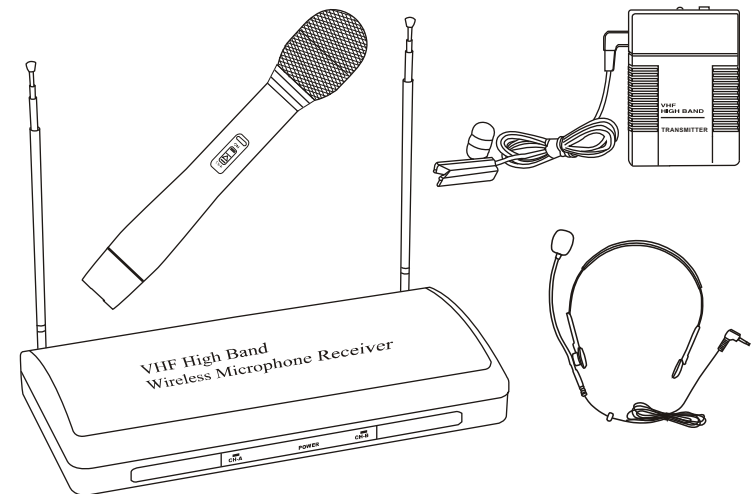




PDWM2700

TWO CHANNELS  
VHF WIRELESS MICROPHONE



USER'S MANUAL

[www.pyleaudio.com](http://www.pyleaudio.com)

Thank you for choosing our VHF wireless microphone system. We strongly suggest that you carefully study these instructions before attempting to operate the system.

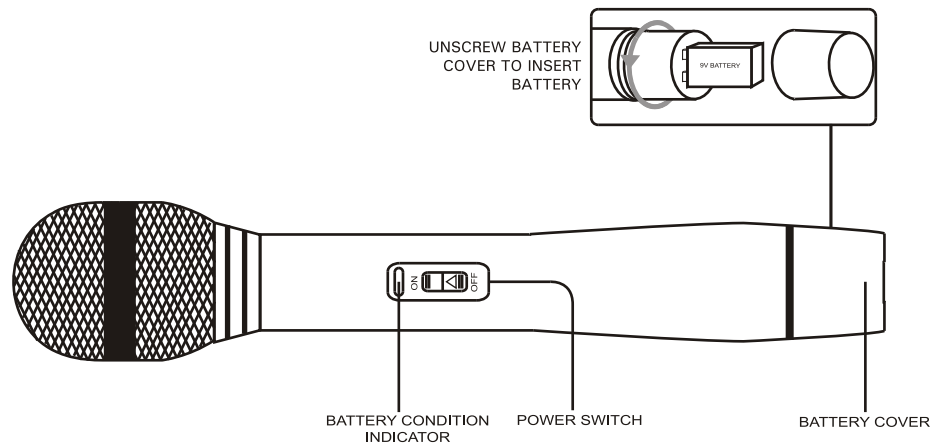
## CONTENTS

P1-----	Precautions
P2-----	Handheld microphone
P3-----	Belt Pack transmitter
P4-----	Receiver
P5-----	Installation
P6-----	Specifications
P7-----	Troubleshooting

## PRECAUTIONS

1. Avoid exposure of the system to rain or moisture.
2. No user-serviceable parts inside the system. Refer all servicing to a qualified technician only.
3. Handle the microphone carefully, dropping or other shocks may cause failure.
4. Avoid using the system where it may be subjected to heat, such as in direct sunlight, near radiators or other heat sources.
5. Should any liquid be spilt on the system, stop using it immediately. It may be possible to dry the system, but you should have it checked by a qualified technician before using it again.
6. Take care with the mains power adapter and lead. If damaged in any way, do not use the system, and refer to a qualified technician for repair.
7. Only use the system with the supplied components, do not attempt to use with any other mains power supply adapter or microphone.
8. If the microphone is not going to be used for a time, remove the battery to prevent leakage. In the event of electrolyte leakage inside the battery compartment, carefully remove using a damp cloth. Take care not to get battery electrolyte in contact with your skin, however, if it does, wash your hands under a running tap. If electrolyte comes into contact with your eyes, seek medical advice immediately.
9. Only replace the battery with the same or an equivalent type.
10. Please dispose of old batteries in an environmentally friendly manner in accordance with the relevant legislation.
11. Do not use any solvents to clean any part of the radio microphone system.

## HANDHELD MICROPHONE



## OPERATION

1. Unscrew the battery cover at the end of the microphone. Install the provided 9 volt battery and then close the cover. Make sure to connect with the correct polarity.
2. Move power switch to ON position. Power LED indicator will flash once and then go off. This indicates correct operation. If power LED indicator lights red, this indicates the battery is low. Please replace with new battery.
3. Move power switch to center to mute the microphone.
4. If the microphone is not going to be used for a long period of time, please take out the battery to prevent damage by battery leakage.

## TROUBLE SHOOTING

Please read and check the following points before asking for service.

### The wireless microphone fails to work:

- Check the microphone battery by switching the microphone ON. If power LED indicator lights red, replace the battery.
- Check the POWER indicator on the receiver unit is ON. If not, check the mains power adapter is firmly plugged into a working mains socket.
- Check the amplifier system is ON and the microphone controls set correctly.
- Check the radio microphone jack lead is firmly connected into the output socket on the rear panel of the receiver unit and into the MIC input socket on your amplifier.

### The working range is limited:

- Check the microphone battery condition(see above)
- Check the aerials are fully extended. Adjust the position of the aerials to achieve the best reception.

### Feedback is heard:

- Check if the microphone is too close to or in front of the loudspeaker.  
Check the settings of the microphone controls on the amplifier. Adjust volume and tone to get the beat sound without any trace of feedback.

## SPECIFICATIONS

### A. Overall system

- |                            |                              |
|----------------------------|------------------------------|
| 1. Oscillation mode:       | Quartz controlled            |
| 2. Carrier Frequency Range | VHF160~270MHz                |
| 3. Frequency Stability:    | +/-0.005%                    |
| 4. Max Deviation:          | +/-56KHz with level limiting |
| 5. Dynamic Range:          | >110dB                       |
| 6. S/N Ratio:              | >100dB                       |
| 7. T. H. D:                | <0.5dB                       |
| 8. Frequency Response      | 60Hz-18KHz                   |
| 9. Operating Range:        | 30M                          |

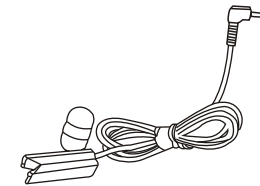
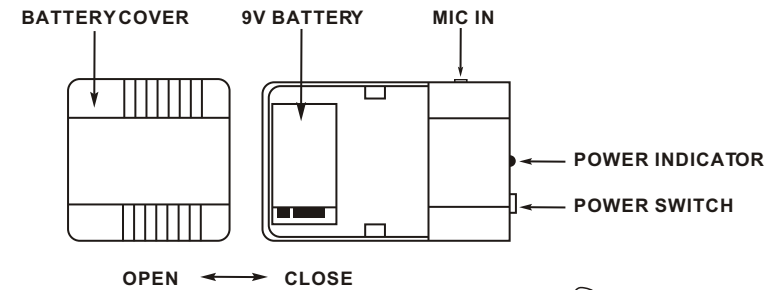
### B. Receiver

- |                     |                          |
|---------------------|--------------------------|
| 1. Sensitivity:     | 6dB $\mu$ V at SIN >70dB |
| 2. Image Rejection: | >60dB                    |
| 3. Stability:       | >80dB                    |
| 4. Audio output:    | -12db/600ohm unbalanced  |
| 5. Power supply:    | 12V DC/500mA             |

### C. Transmitter

- |                  |   |
|------------------|---|
| 1. Mike capsule: | Handheld: dynamic<br>Headset or lavalier MIC: condenser |
| 2. Antenna:      | Built-in housing(Handheld MIC)<br>external(Belt pack)   |
| 3. RF Output:    | <10mW   |
| 4. Spurious:     | <-40dBC   |
| 5. Power Supply: | 9V battery  |

## BELT PACK TRANSMITTER



LAVALIER MIC

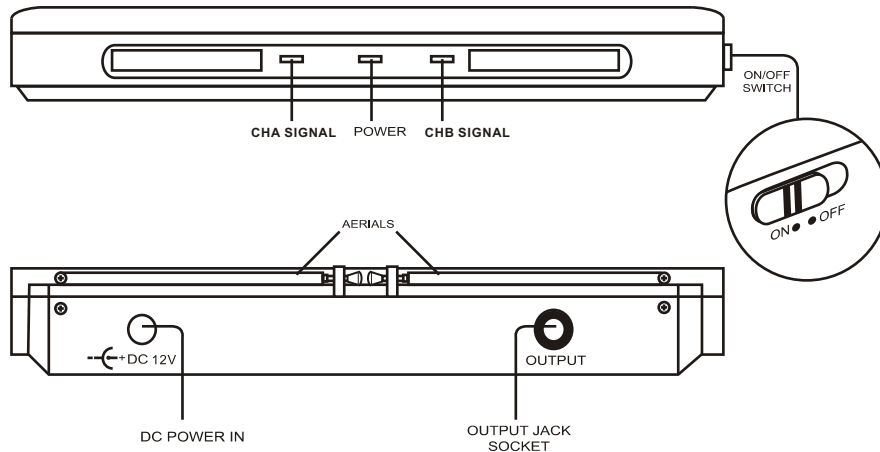


HEADSET MIC

## OPERATION

1. Open the battery cover to install a 9V battery as per correct polarities.
2. Move power switch to ON position. Power LED indicator will flash once and then go off. This indicates correct operation. If power LED indicator lights red, this indicates the battery is low. Please replace with new battery.
3. Plug the 3.5mm connector of headset mic to MIC in jack of transmitter.
4. Before operation, please confirm that the frequency of transmitter is same as the frequency of receiver.
5. When speak to the MIC, please keep 2-3cm distance between mouth and mic head.
6. If the system will not be used for a long time, please take out battery from transmitter to avoid damage by battery leakage.

## RECEIVER



## OPERATION

1. Switch on the wireless microphone receiver unit by pressing the POWER switch and the POWER light will illuminate to show the receiver unit is working.
2. Fully extend the aerials to the maximum height.
3. Switch ON the transmitter. Power LED indicator will flash once then go off. When the microphone is ON, the receiver RF indicator will light.
4. Adjust the volume and tone levels of your amplifier system as well as the receiver & the body pack as required.
5. When the transmitter is not going to be used for a long period of time, please take out the battery from transmitter.

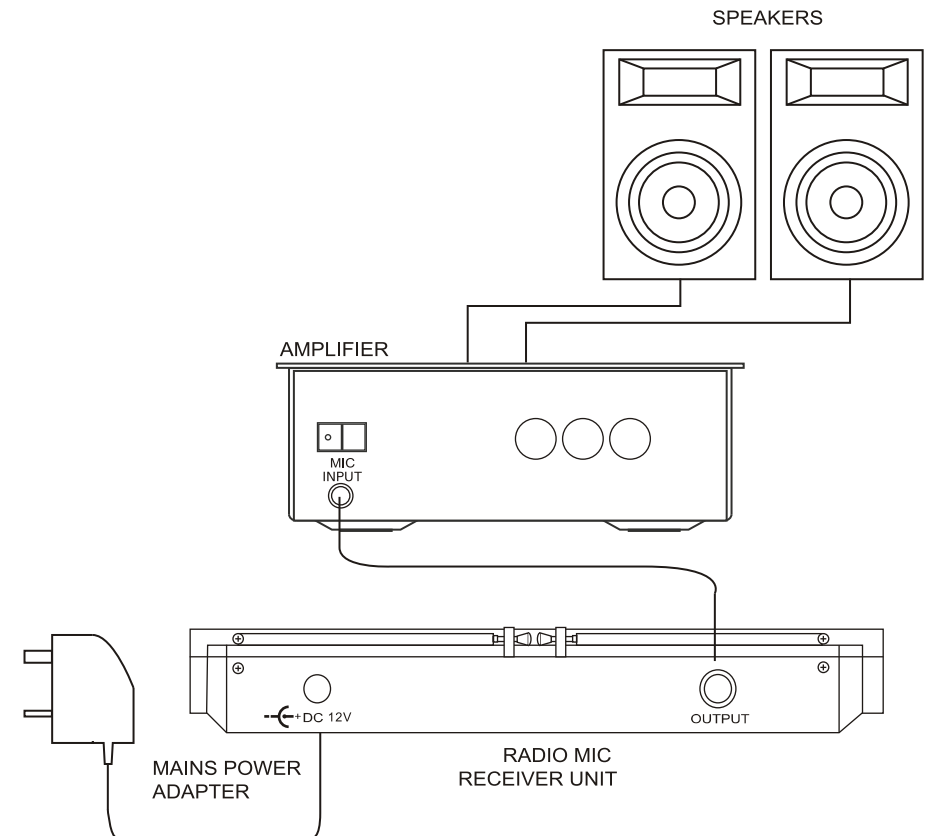
Note that switching the microphone on and off can cause interference that will be heard if the microphone volume level of the amplifier system is still set high

## INSTALLATION

To connect the wireless microphone to your amplifier system:

Refer to the installation diagram below.

Using the supplied 6.35mm to 6.35mm lead, connect from the AF OUT jack of the receiver to the MIC INPUT socket on your amplifier. Plug one end of the mains power adapter into a suitable mains socket. Plug the other end of the adapter into receiver DC 12V input socket.



## Free Manuals Download Website

<http://myh66.com>

<http://usermanuals.us>

<http://www.somanuals.com>

<http://www.4manuals.cc>

<http://www.manual-lib.com>

<http://www.404manual.com>

<http://www.luxmanual.com>

<http://aubethermostatmanual.com>

Golf course search by state

<http://golfingnear.com>

Email search by domain

<http://emailbydomain.com>

Auto manuals search

<http://auto.somanuals.com>

TV manuals search

<http://tv.somanuals.com>