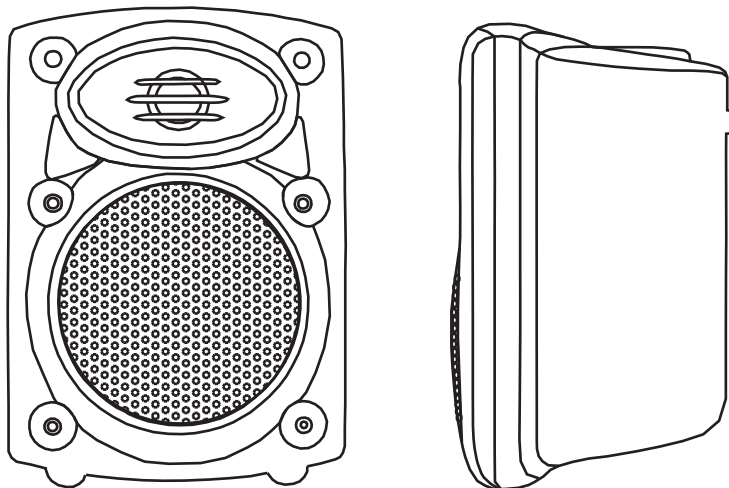


PYLE[®] *DRYVER* **PRO**

PPH5MA **5.25" 2-WAY AMPLIFIED** **STUDIO MONITOR SYSTEM**



OWNER'S MANUAL

www.pyleaudio.com

Download from www.Somanuals.com. All Manuals Search And Download.

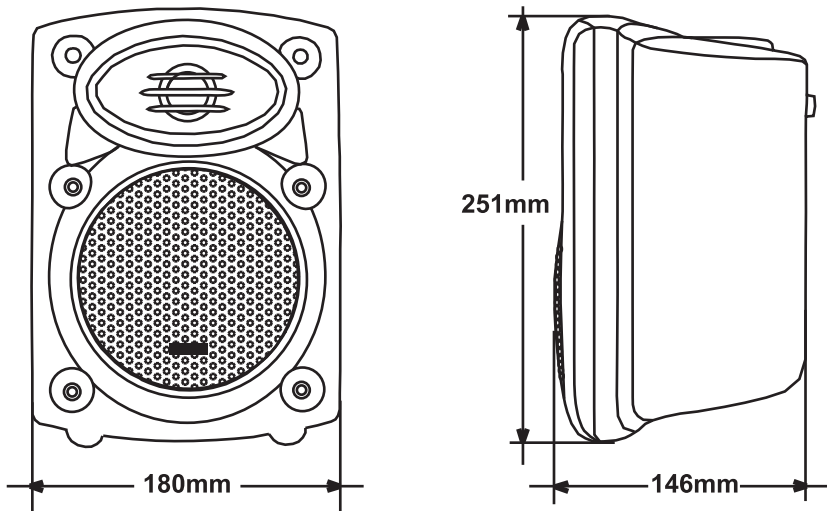
Thank you for purchasing a **PYLE PRO** speaker system. It is a state-of-the-art product carefully designed manufactured for Professional use, and has been thoroughly tested to ensure consistent and reliable performance.

If you have any question about the installation or operation of your **PYLE PRO** speaker system which are not answered by this manual, contact your dealer in the first instance.

SPECIFICATION

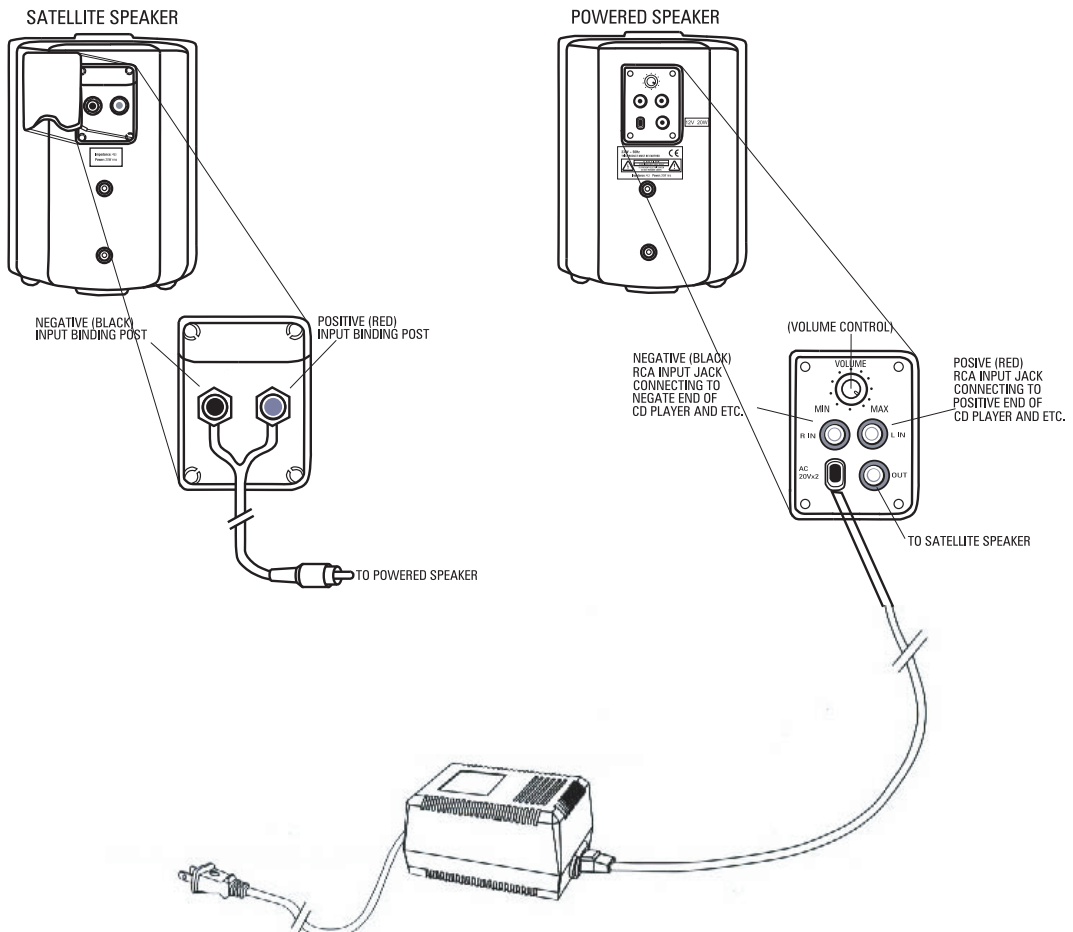
- Excellent for Monitor or Surround Sound Applications:
- 5.25" Long-Throw Bass Driver
- 1" Soft Dome Neodymium Tweeter
- 150 Watts Rated Peak Power
- Frequency Response: 35-22k Hz
- 4~8 Ohm Impedance
- Vented Design for High Power and Deep Bass Response.
- Heavy Duty Plastic Cabinet
- Spring Loaded mounting Bracket Included
- Built-In Amplifier
- Higher SPL Intended
- Power Source: AC 20V x 2 Input
- 110V/220V to AC20V x2 Transformer Included
- Volume Control Included
- RCA Jack(R/L)for Lines Input
- Connection to External Speaker.

OVERALL DIMENSIONS



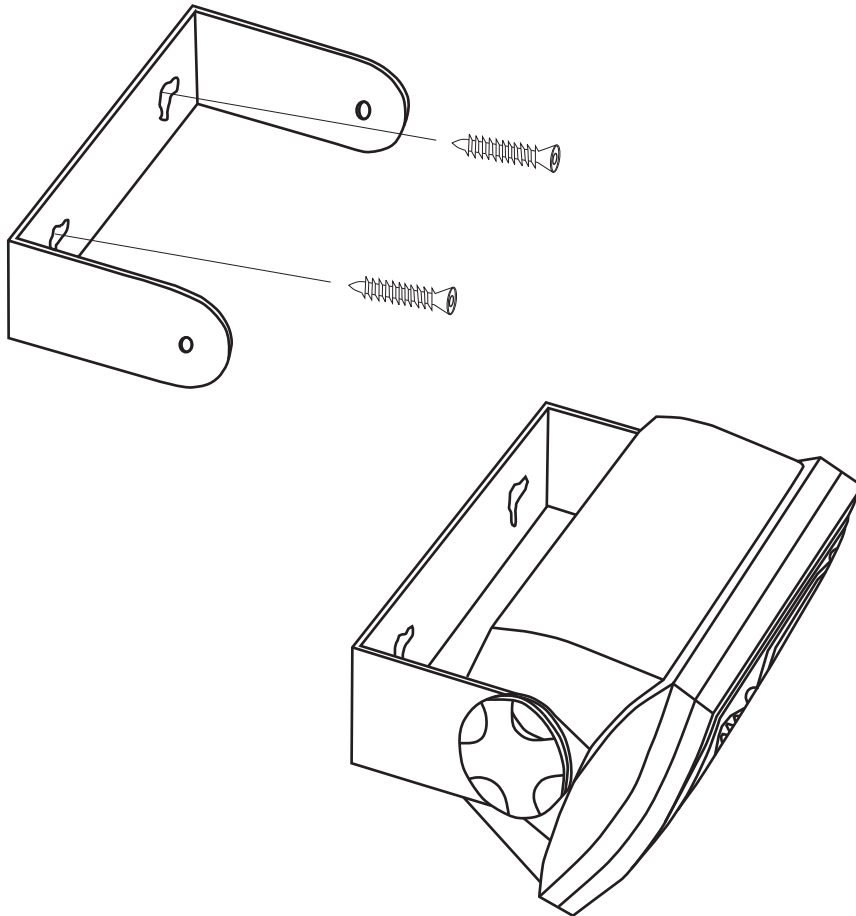
CONNECTING YOUR SPEAKERS:

The gold-plated binding posts on our speakers are color-coded for polarity; red is positive and black is negative. The binding posts are designed to accept either bare wire or "Banana Plugs." Turn off the amplifier prior to making connections to avoid possible damage from accidental speaker wire shorting. Make sure that all connections are tight and there is no shorting of wires from one terminal to another. Check that the polarity is correct on both speakers otherwise bass response and imaging will suffer from cancellation.



MOUNTING

The speakers are equipped with mounting brackets that will allow either vertical or horizontal mounting. The brackets should be mounted using a level to assure correct positioning. Always make sure that the mounting surface and fasteners will support the speaker safely. Connect the speaker wiring to the speaker, assuring correct polarity. Secure the speaker to the bracket using the supplied knobs. Adjust the speaker for optimum sound. Hand-tighten the knobs only! Use of power tools can cause damage to the threaded inserts, causing them to break free of the cabinet.



Free Manuals Download Website

<http://myh66.com>

<http://usermanuals.us>

<http://www.somanuals.com>

<http://www.4manuals.cc>

<http://www.manual-lib.com>

<http://www.404manual.com>

<http://www.luxmanual.com>

<http://aubethermostatmanual.com>

Golf course search by state

<http://golfingnear.com>

Email search by domain

<http://emailbydomain.com>

Auto manuals search

<http://auto.somanuals.com>

TV manuals search

<http://tv.somanuals.com>