

PYLE®

OPERATIONS:

1. INSERT AC POWER PLUG INTO A 110V VOLT AC OUTLET
2. CONNECT THE POWER CORD 13.8 VDC TO THE OUTPUT BINDING POST TERMINALS ON THE FRONT OF THE UNIT. BE SURE THAT POLARITY IS CORRECT. THE RED POSITIVE(+) TERMINAL AND BLACK NEGATIVE(-) TERMINAL ARE MARKED, REVERSAL OF POLARITY MAY DAMAGE BE YOUR EQUIPMENT.
3. TURN SWITCH TO "ON". RED LIGHT IN SWITCH WILL BE ILLUMINATED.
4. THIS UNIT HAS ELECTRONIC OVERLOAD PROTECTION WITH INSTANT AUTOMATIC RESET FUNCTION. IF OUTPUT IS OVERLOADED. THE OUTPUT POWER WILL AUTO MATICALLY SHUT OFF. RELEASE POWER CORD OF YOUR EQUIPMENT FROM THE OUTPUT TERMINALS AND CHECK THE ACTUAL POWER RATING OF YOUR EQUIPMENT.
5. THIS UNIT WILL AUTOMATICALLY SHUT OFF WHEN THE TEMPERATURE INSIDE THIS UNIT REACHES 105°C. IT WILL NOT RETURN TO THE NORMAL STATUS UNTIL THE TEMPERATURE INSIDE THIS UNIT IS DOWN TO 70°C.

REGULATED DC POWER SUPPLY

MODEL: PSL642X

CAUTIONS:

1. DO NOT USE WITH EQUIPMENT REQUIRING MORE THAN 60 AMP.
2. DO NOT USE OUTDOORS. DO NOT EXPOSE UNIT TO RAIN, MOISTURE, WATER OR ANY OTHER LOQUIDS.
3. DO NOT REMOVE COVER IN ANY CASE. RETURN TO DEALER FOR REPAIR IF DAMAGED.
4. THIS UNIT HAS A SPECIAL BUILT-IN FEATURE THAT WILL SHUT THE UNIT DOWN IF MARKED AMPERAGE IS EXCEEDED. THIS WILL AVOID BURN-OUT OF YOUR EQUIPMENT AND OF UNIT. IF UNIT DOES CONSISTENTLY SHUTDOWN, THIS MEANS YOU ARE DRAWING TOO MUCH AMPERAGE. RETURN UNIT TO PLACE OF PURCHASE AND UPGRADE TO NEXT AVAILABLE UNIT OFFERING HIGHER AMPERAGE. PLEASE DO NOT BYPASS OR ALTER THIS CIRCUIT AS IT IS THERE TO PROTECT YOU. ANY ALTERATION OR MISUSE WILL VOID YOUR WARRANTY.

"DANGER"
HIGH VOLTAGE
REFER TO QUALIFIED TECHNICIAN FOR SERVICE.

INSTRUCTION MANUAL



www.pyleaudio.com

GENERAL SPECIFICATIONS:

MODEL NO:PSL642X

ELECTRICAL:

(A-1) INPUT RATING.

INPUT VOLTAGE: 105VAC-125VAC. (115VAC NORMAL)

INPUT LINE FREQUENCY: 60 Hz

(A-2) OUTPUT RATING.

OUTPUT VOLTAGE:13.8 VDC

OUTPUT POWER: 13.8 VDC AT 60 AMP MAX.

OUTPUT RIPPLE: 150 mV RMS

(A-3) REGULATION:

LOAD REGULATION: 2% MAX.

LINE REGULATION: 1% MAX. (105VAC- 125VAC)

(A-4) PROTECTION

INPUT LINE PRECAUTION: THERMOSTAT FUSE 40A/250VAC
(NON-TIME DELAY).

OVER-LOAD PRECAUTION: 90%RATED LOAD PRECAUTION
DEVICES. # SEE OPERATION #

OVER-LOAD PROTECTION: 60AMP ±5AMP.

OVER-TEMPERATURE PROTECTION.

(A-5) EFFICIENCY: 60%MIN. (INPUT AT 115VAC AND OUTPUT AT 13.8VDC 60AMP).

(A-6) DESIG:LINEAR TYPE.

(A-7) OPERATING TEMPERATURE: 0 TO + 40 DEG C.

(A-8) STORAGE TEMPERATURE: -25 TO +70 DEG C.

MECHANICAL:

(B-1) DIMENSIONS: 338mm x 482 mm x 176 mm. (L x W x H)

13.31inch x 18.98 inch x 6.93 inch. (L x W x H)

(B-2) WEIGHT: 21KGS

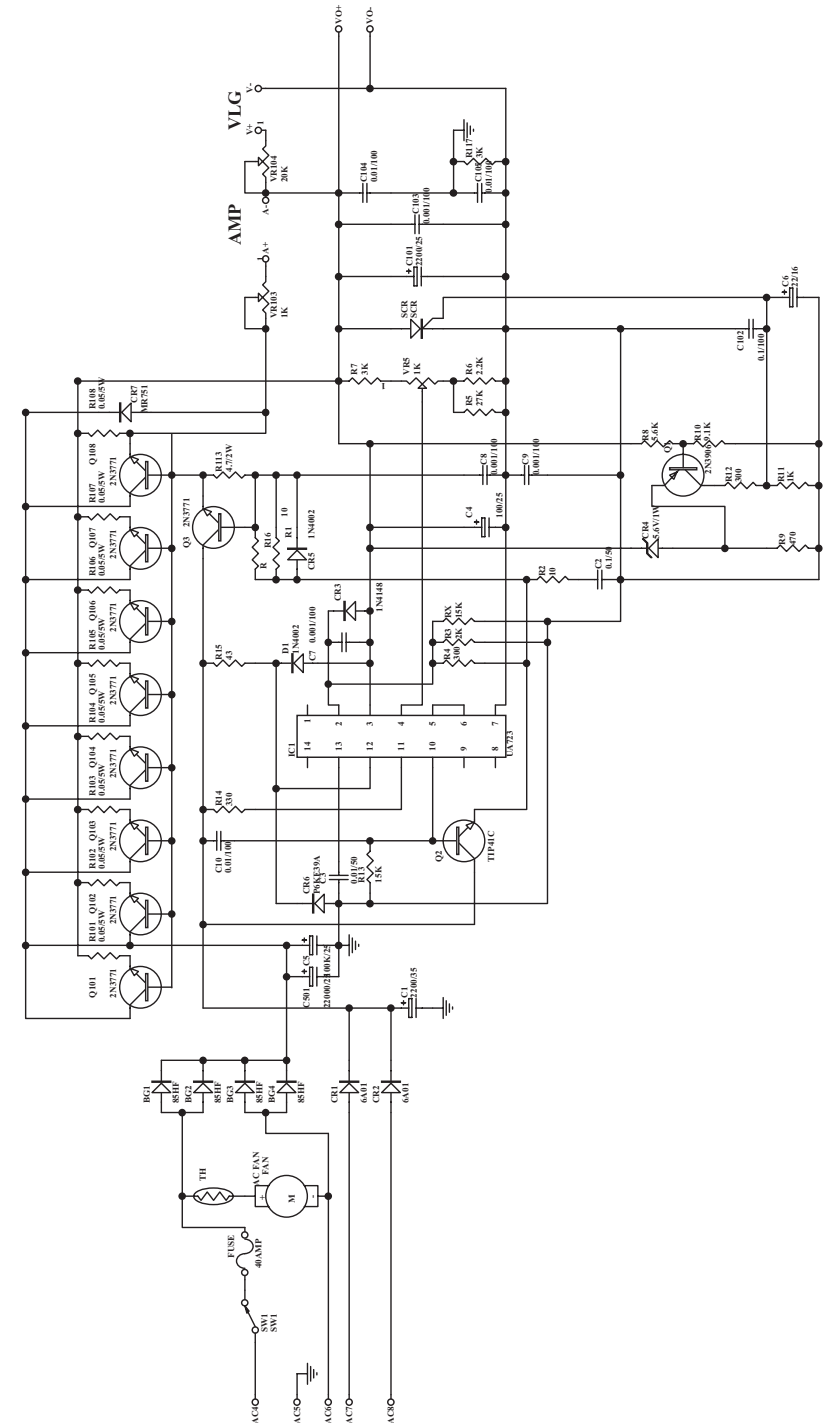
(B-3) ENCLOSURE: SILVER

(B-4) INPUT POWER CABLE:SJT14AWG x 3C/6FT MIN. WITH NEMA 5-15P PLUG.

(B-5) OUTPUT TERMINAL:BINDING POST. RED & BLK.

(B-6) VOLTAGE & AMPERE METER:ANALOG TYPE, CLASS 2.5%

(B-7) POWER SWITCH:ILLUMINATED TYPE, 20A/125VAC.



Free Manuals Download Website

<http://myh66.com>

<http://usermanuals.us>

<http://www.somanuals.com>

<http://www.4manuals.cc>

<http://www.manual-lib.com>

<http://www.404manual.com>

<http://www.luxmanual.com>

<http://aubethermostatmanual.com>

Golf course search by state

<http://golfingnear.com>

Email search by domain

<http://emailbydomain.com>

Auto manuals search

<http://auto.somanuals.com>

TV manuals search

<http://tv.somanuals.com>