

# 297 SERIES SLIM-LINE VERTICAL CONTACT TOASTER



Model 297-T12



Prince Castle's Slim-line Bun Toaster provides perfect caramelization by contact toasting. These toasters put versatility in your kitchen by using less counter space. A unique two-level platen design allows operators to toast thicker bun crowns and thinner bun heels at the same time. A self-adjusting chain assembly provides proper tensioning and helps prevent binding. Model 297-T12 toasts 2000 buns per hour, Model 297-T20 toasts up to 1400 buns per hour, and Model 297-T40 toasts up to 720 buns per hour. Stainless-steel construction makes this toaster durable and easy-to-clean.

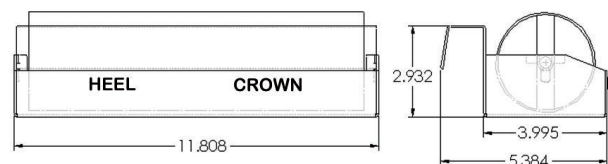
All Prince Castle Slim-line Toasters include a Teflon® sheet kit consisting of a stainless-steel clamp and two Teflon® sheets to protect against bun sticking. These sheets are used one at a time over the platen to protect the toasting surface, to eliminate bun sticking, and to keep the toaster clean and working properly.

## STANDARD FEATURES

- Delivers higher speeds and temperature while maintaining proven reliable design
- Stronger motor and higher temperature platen increases performance
- Unique two-level platen design allows operators to toast thicker bun crowns and thinner bun heels at the same time
- Adjustable bun crush controls and thermostat allows precise toasting for various bread products
- Compact design requires only 8" (20.3cm) of counter space depth
- 12-, 20- and 40-second toasting models are available
- Re-designed conveyor assembly improves reliability
- Easy to clean and maintain
- Adjustable thermostat for precise toasting
- One-year parts and labor warranty

## ACCESSORIES

Part #	Description
511	Top mounting bun dresser (manual only)




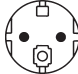
# 297 SERIES SLIM-LINE VERTICAL CONTACT TOASTER

**PRINCE CASTLE INC.**   
WORLDWIDE  
 A Marmon Retail Services® Company

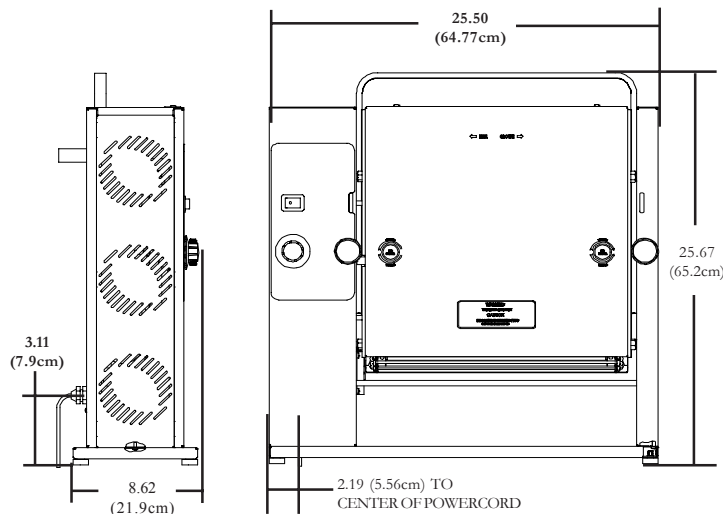
## SPECIFICATIONS DIMENSIONS

MODEL NUMBER	DESCRIPTION	HEIGHT IN. (CM)	WIDTH IN. (CM)	DEPTH IN. (CM)	SHIPPING WT. LB. (KG)
297-T12P	12-Sec. Vertical Contact Toaster	25.7 (65.8)	25.5 (64.8)	8.6 (21.9)	75 (34.3)
297-T20	20-Sec. Vertical Contact Toaster				
297-T40	40-Sec. Vertical Contact Toaster				
297-T12PFCE	12-Sec. Vertical Contact Toaster				
297-T20FCE	20-Sec. Vertical Contact Toaster				
297-T40FCE	40-Sec. Vertical Contact Toaster				

## ELECTRICAL

MODEL NUMBER	VOLT	HZ	WATTS	AMPS	PLUG NUMBER	PLUG CONFIG.
297-T12 297-T20 297-T40	120	60	1500	13	5-15P	
297-T12FCE 297-T20FCE 297-T40FCE	230	50	1700	8	CEE 7-7	

\*297 units equipped with 6 ft. (182.8cm) line cord.



## PRODUCT OUTPUT

Model Number	Buns/Hour
297-T12	2000
297-T20	1400
297-T40	720

\*Moisture content of bakery products will affect rates and settings. Individual results may vary.

\*Designs and specifications are subject to change without notice.



## Free Manuals Download Website

<http://myh66.com>

<http://usermanuals.us>

<http://www.somanuals.com>

<http://www.4manuals.cc>

<http://www.manual-lib.com>

<http://www.404manual.com>

<http://www.luxmanual.com>

<http://aubethermostatmanual.com>

Golf course search by state

<http://golfingnear.com>

Email search by domain

<http://emailbydomain.com>

Auto manuals search

<http://auto.somanuals.com>

TV manuals search

<http://tv.somanuals.com>