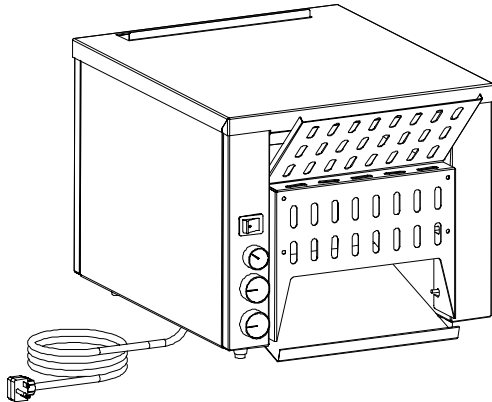


OPERATING INSTRUCTIONS

Conveyor Toaster Model No. 428 Series



Prince Castle's line of Radiant Conveyor Toasters feature compact designs with easy to use controls. All models feature reliable metal sheathed radiant elements for durability, removable crumb tray, and loading chute.

ELECTRICAL INFORMATION

Two Slice Models

Model	Volts	Watts	Amps	Hz	Plug
428-A	120	1700	14.2	60	5-15P
428-B	208	2600	12.5	50/60	6-20P
428-C	220	2600	11.8	50	None
428-D	240	2600	10.8	60	6-20P
428-E	240	2600	10.8	50	None

Three Slice Models

428-3B	208	3400	16.3	60	6-30P
428-3E	240	4100	17.1	50	None

TABLE OF CONTENTS

PAGE

Installation	2
Operation	2
Preventive Maintenance	2
Cleaning	3
Troubleshooting Chart	3
Exploded View	4
Parts List.....	4
Wiring Diagram	6

LIMITED WARRANTY

This product is warranted to be free from defects in material and/or workmanship for a period of two (2) years (Heating Elements are warranted for one (1) year) from date of original installation, not to exceed 30 months from date of shipment from our factory. **On-location service for failure within 1 year of installation, proof of purchase will be required.**

Any component which proves to be faulty in material and/or workmanship will be replaced or repaired (at the option of Prince Castle, Inc.) without cost to the customer for parts or labor.

This warranty is subject to the following exceptions/conditions:

- Use of any non-genuine Prince Castle parts voids this warranty.
- This equipment is portable; charges for on-location service (e.g., trip charges, mileage) are not included in the provisions of this warranty.
- All labor shall be performed during regular work hours. Overtime premium will be charged to the buyer.
- All problems due to operation at voltages other than specified on equipment nameplates do not apply to warranty. Conversion to correct voltage must be the customers responsibility.
- Damage caused by carelessness, neglect, and/or abuse (e.g., dropping, tampering or altering parts), equipment damaged in shipment, by fire, flood or an act of God is not covered under this warranty.
- Motors that fail due to the lack of monthly lubrication will not necessarily be covered under warranty.
- This toaster must be serviced by a Prince Castle Authorized Service Center or a Prince Castle Service Technician. Failure to do so can void this warranty.

PRINCE CASTLE INC.  WORLDWIDE

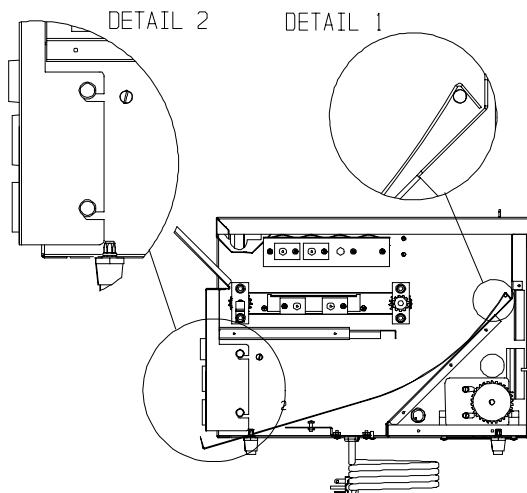
355 East Kehoe Blvd. • Carol Stream, IL 60188
Tel: (630) 462-8800 • Fax: (630) 462-1460
Toll Free: 1-800-PCASTLE

INTENDED USE

This toaster is designed to toast breads bagels or English muffins. Do not attempt to toast croissants. Their butter content will cause them to stick to the conveyor. Do not attempt to toast products that have been buttered or spread with jam or other coating. Do not attempt to bake in the toaster.

INSTALLATION

1. After you have removed the toaster from the carton, inspect the unit for signs of damage. If there is damage to the unit:
 - Notify carrier within 24 hours after delivery.
 - Save carton and packing materials for inspection purposes.
 - Contact your local dealer or, if purchased directly, the Prince Castle Customer Sales Department at 1-630-462-8800 to arrange for a replacement to be sent.
2. Verify that all parts have been received. Remove Protective Coating.
3. Attach four (4) legs to toaster by screwing in each leg clockwise.
4. Adjust legs so toaster is level.
5. Remove packaging from bun slide and install bun slide in toaster by hooking it into the two pins in the rear of the chamber. (See Detail 1)
6. Attach heat shield by hooking its top tabs onto the two mounting pins just under the crumb tray then allow the shield to swing down so it touches the two lower mounting pins. Lift shield slightly to hook onto the lower pins. Attach the product slide tray by hooking its tabs onto the two upper mounting pins at the top front of the toaster. (See Detail 2)



7. The toaster fan located on the bottom of the toaster in the rear draws in cool room air and circulates it through the toaster sides and tops. To insure adequate heat dissipation do not position the toaster where the fan would draw in hot discharge from another appliance.
-

OPERATION

1. Plug unit into the proper voltage receptacle.
2. Set Power switch to "I" for On.



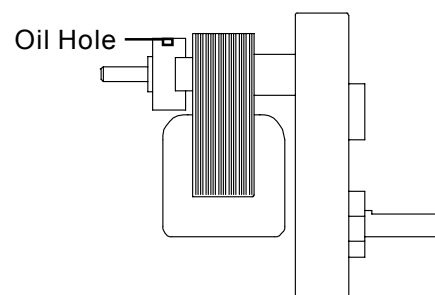
3. Turn upper and lower heater controls to maximum.



4. Allow 20 minutes for toaster to warm up.
 5. Lay Bread, Bagel or Muffin, cut side up on the inlet ramp and push into toaster until it slides on to the conveyor chain. To control toast color, vary the conveyor speed or the heater settings.
-

PREVENTIVE MAINTENANCE

The motors used on the Prince Castle Bun Toasters, require monthly lubrication, 2-3 drops of 3 in 1 oil. Motors that fail due to the lack of monthly lubrication will not necessarily be covered under warranty. We would like to have field service technicians stress this maintenance requirement whenever failures occur on these toasters.



CLEANING

The conveyor chain should not touch the top surface of the crumb tray holder. If the chain does touch, retension it by un plugging the unit, remove both side covers, loosen the front bearing mounting screws and pivot the bearing until the chain no longer touches. Re-tighten bearing screws and replace side covers

2. Unplug toaster.
3. Remove crumb tray and clean toaster and parts by wiping with damp cloth.

Note: Some units come with a Teflon coated return chute. Do Not use an abrasive cleaning agent or scrub brush on the Teflon.



CAUTION: Turn off power switch, unplug toaster from wall outlet, and let toaster cool down before doing any repairs. All repairs should be done by a qualified service technician.

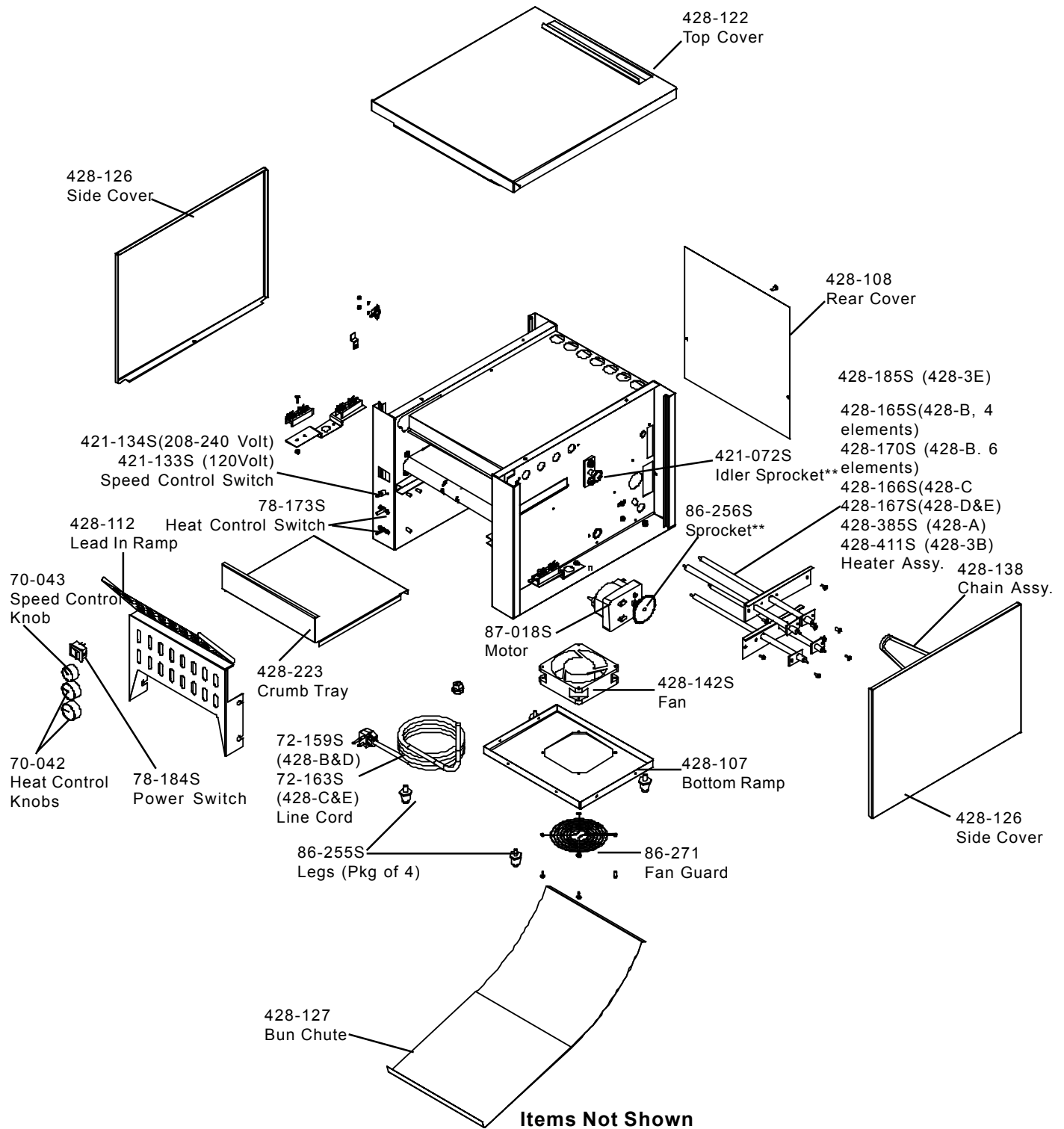
CLEANING

1. Set the POWER switch to OFF. Allow toaster to cool for 30 minutes.

TROUBLESHOOTING CHART

PROBLEM	CAUSE	SOLUTION
High limit tripped.	Toaster overheating due to blockage of airflow. Airflow fan inoperable.	Clean any debris from the fan guard that might be blocking the flow. Replace fan .
No power.	Circuit breaker tripped. Power switch inoperable. Broken wire in power cord.	Reset circuit breaker. Replace power switch. Replace power cord.
Toaster conveyor not turning.	Conveyor motor inoperable. Conveyor switch inoperable. Motor chain is loose Conveyor bearings worn	Lubricate and/or Replace motor. Replace speed switch. Retension motor chain. Replace bearings
Conveyor chain binds up in operation.	Sprockets worn. Excessive slack in conveyor chain.	Replace sprockets. Remove a chain link.
Toaster overheating.	Airflow blockage. Airflow fan inoperable	Clean any debris from fan guard Replace fan motor.
Upper and lower heat tubes not heating.	Heater switch inoperable. Heater tube inoperable.	Replace heater switch. Replace heater tube.
Bread product burning.	Conveyor speed too slow.	Adjust to proper settings
Bread product too light.	Conveyor speed too fast.	Adjust to proper settings
Lower heat tubes heating but top tubes are not.	High Limit Switch Tripped	See High Limit Tripped section

EXPLODED VIEW



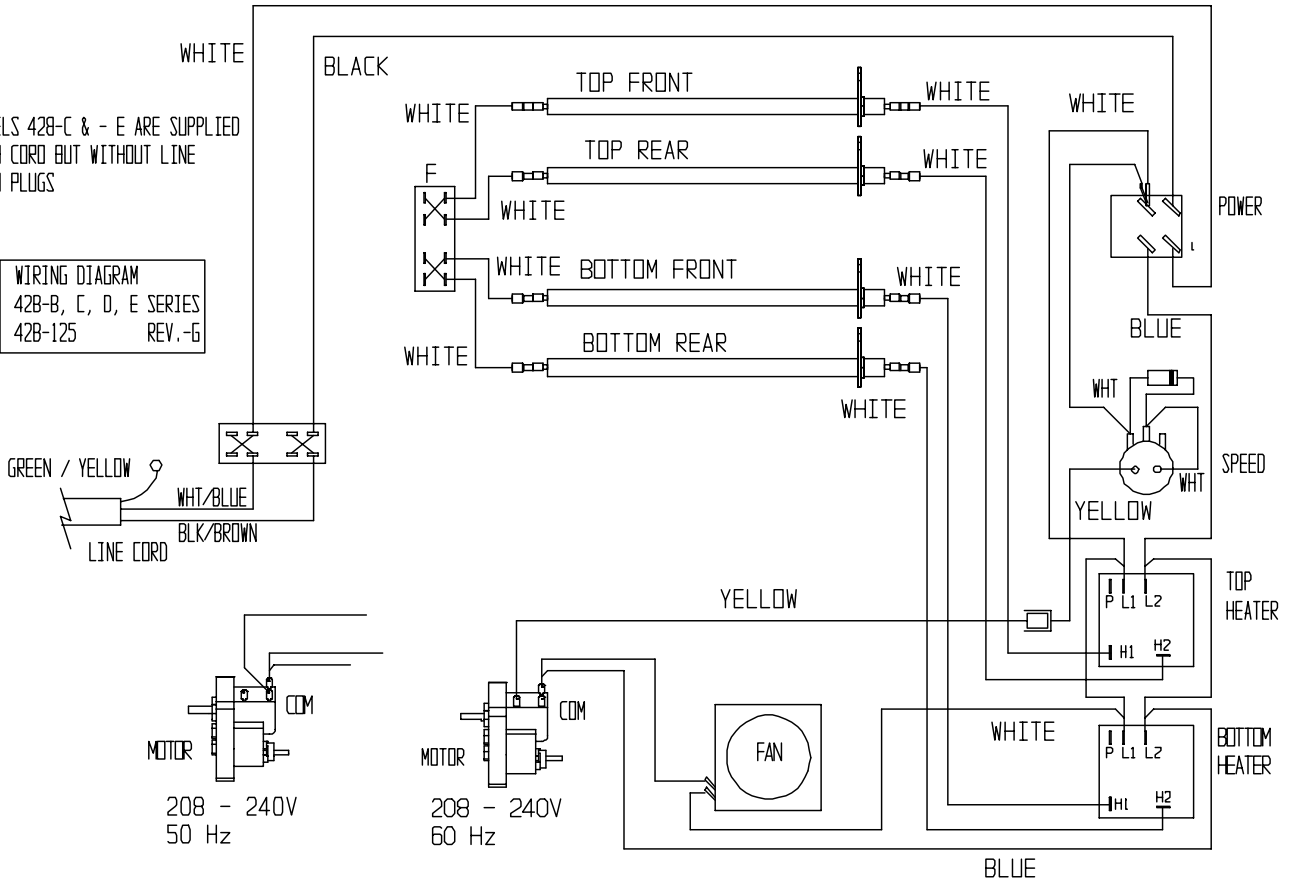
Items Not Shown

Part Number	Description
421-087	Drive Shaft
421-088	Idler Shaft
428-056	Conveyor Chain
421-286S	Teflon Bearing
78-222S	High Limit Switch
421-072S	Sprocket (428-A only)
86-256S	Idler Sprocket (428-A only)

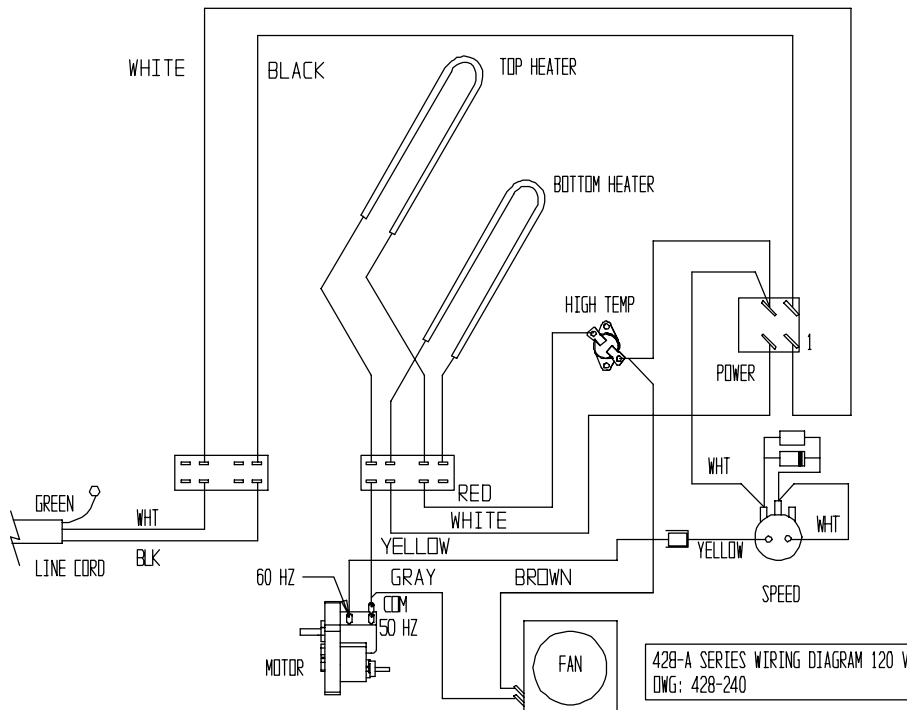
WIRING DIAGRAM (428-B, C, D & E)

MODELS 428-C & - E ARE SUPPLIED WITH CORD BUT WITHOUT LINE CORD PLUGS

WIRING DIAGRAM
428-B, C, D, E SERIES
428-125 REV.-6



WIRING DIAGRAM (428-A)



Free Manuals Download Website

<http://myh66.com>

<http://usermanuals.us>

<http://www.somanuals.com>

<http://www.4manuals.cc>

<http://www.manual-lib.com>

<http://www.404manual.com>

<http://www.luxmanual.com>

<http://aubethermostatmanual.com>

Golf course search by state

<http://golfingnear.com>

Email search by domain

<http://emailbydomain.com>

Auto manuals search

<http://auto.somanuals.com>

TV manuals search

<http://tv.somanuals.com>