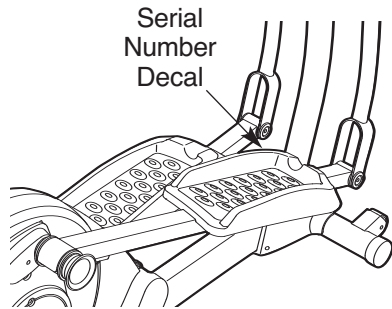


# PRO-FORM<sup>®</sup> SPACE SAVER 925



Model No. PFEL5926.0

Serial No. \_\_\_\_\_



## USER'S MANUAL

### QUESTIONS?

As a manufacturer, we are committed to providing complete customer satisfaction. If you have questions, or if parts are damaged or missing, PLEASE CONTACT OUR CUSTOMER SERVICE DEPARTMENT DIRECTLY.

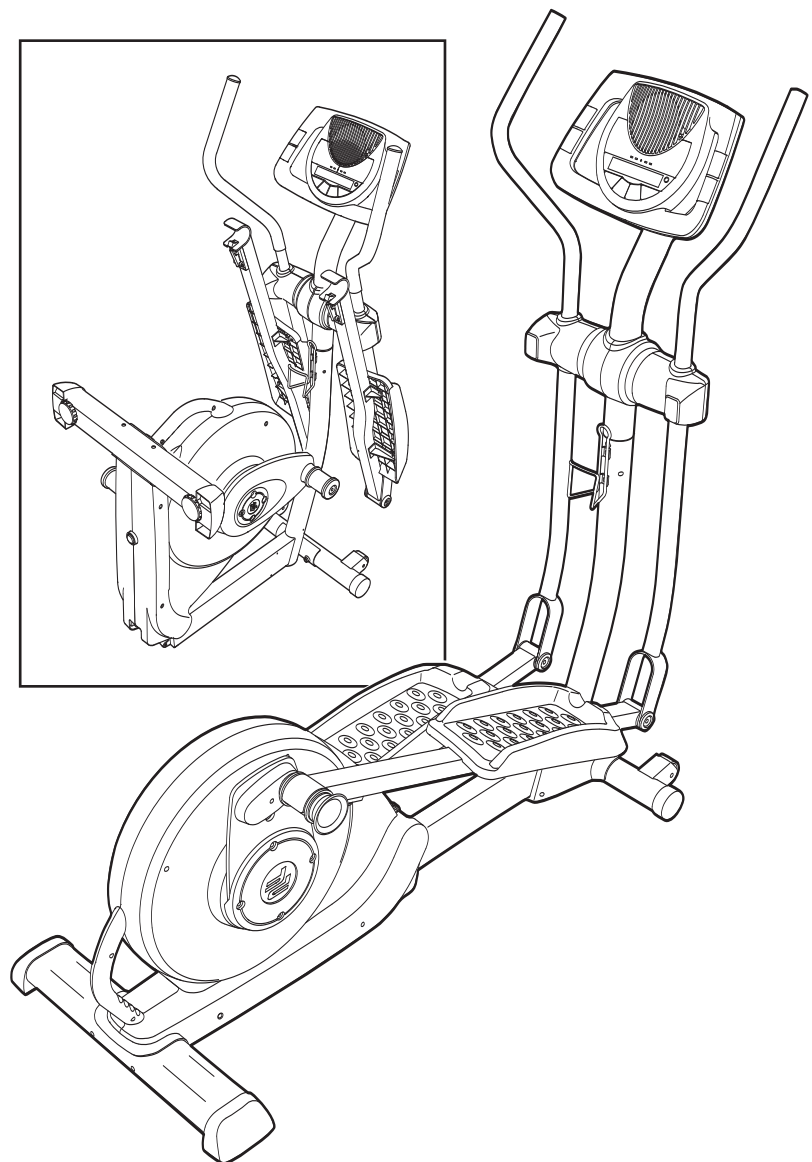
CALL TOLL-FREE:

**1-888-533-1333**

Mon.-Fri., 6 a.m.-6 p.m. MST

ON THE WEB:

[www.proformservice.com](http://www.proformservice.com)



### ⚠ CAUTION

Read all precautions and instructions in this manual before using this equipment. Keep this manual for future reference.



Visit our website at

[www.proform.com](http://www.proform.com)

new products, prizes,  
fitness tips, and much more!



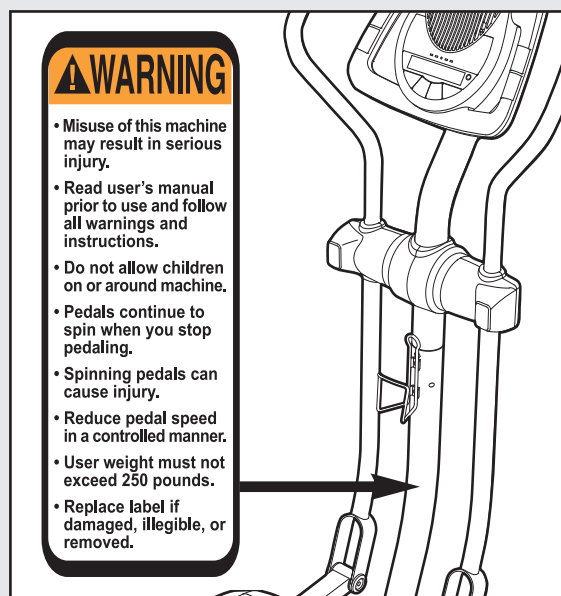
## TABLE OF CONTENTS

IMPORTANT PRECAUTIONS .....	.3
BEFORE YOU BEGIN .....	.4
ASSEMBLY .....	.5
HOW TO USE THE ELLIPTICAL EXERCISER .....	.10
MAINTENANCE AND TROUBLESHOOTING .....	.18
CONDITIONING GUIDELINES .....	.19
PART LIST .....	.20
EXPLODED DRAWING .....	.22
HOW TO ORDER REPLACEMENT PARTS .....	.Back Cover
LIMITED WARRANTY .....	.Back Cover

# IMPORTANT PRECAUTIONS

**⚠ WARNING:** To reduce the risk of serious injury, read the following important precautions before using the elliptical exerciser.

1. Read all instructions in this manual and all warnings on the elliptical exerciser before using the elliptical exerciser. Use the elliptical exercise only as described in this manual.
2. It is the responsibility of the owner to ensure that all users of the elliptical exerciser are adequately informed of all precautions.
3. The elliptical exerciser is intended for home use only. Do not use the elliptical exerciser in a commercial, rental, or institutional setting.
4. Keep the elliptical exerciser indoors, away from moisture and dust. Place the elliptical exerciser on a level surface, with a mat beneath it to protect the floor or carpet. Make sure that there is enough clearance around the elliptical exerciser to mount, dismount, and use it.
5. Inspect and properly tighten all parts regularly. Replace any worn parts immediately.
6. Keep children under 12 and pets away from the elliptical exerciser at all times.
7. The elliptical exerciser should not be used by persons weighing more than 250 pounds.
8. Wear appropriate exercise clothes while using the elliptical exerciser. Always wear athletic shoes for foot protection while exercising.
9. Hold the handgrip pulse sensor or the handlebars when mounting, dismounting, or using the elliptical exerciser.
10. The pulse sensor is not a medical device. Various factors may affect the accuracy of heart rate readings. The pulse sensor is intended only as an exercise aid in determining heart rate trends in general.
11. Keep your back straight while using the elliptical exerciser; do not arch your back.
12. If you feel pain or dizziness while exercising, stop immediately and cool down.
13. When you stop exercising, allow the pedals to slowly come to a stop.
14. The decal shown below has been placed on the elliptical exerciser. If the decal is missing, or if it is not legible, call the toll-free telephone number on the front cover of this manual and order a free replacement decal. Apply the decal in the location shown.



**⚠ WARNING:** Before beginning this or any exercise program, consult your physician. This is especially important for persons over the age of 35 or persons with pre-existing health problems. Read all instructions before using. ICON assumes no responsibility for personal injury or property damage sustained by or through the use of this product.

# BEFORE YOU BEGIN

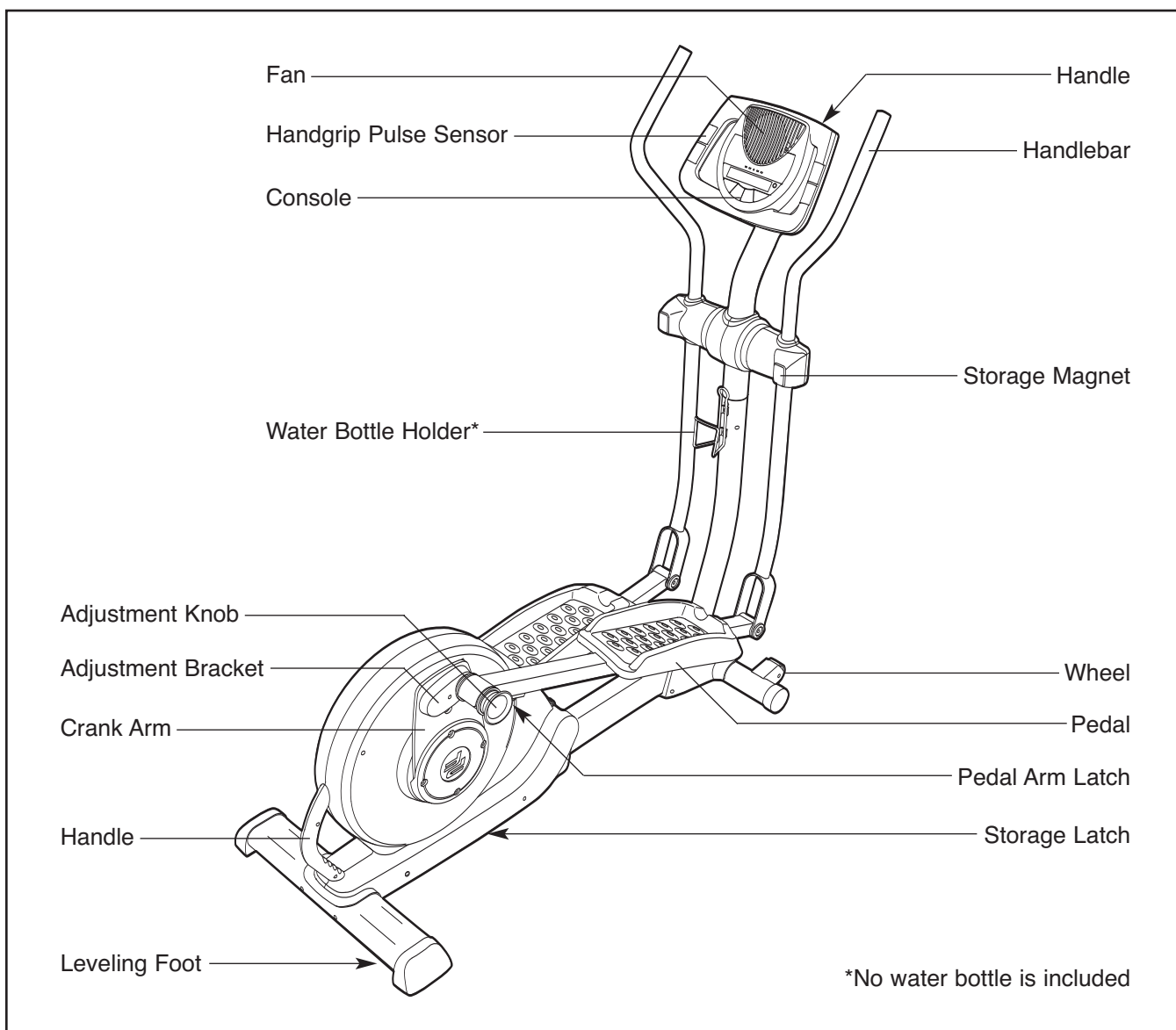
Thank you for selecting the revolutionary PROFORM® 925 elliptical exerciser. The 925 elliptical exerciser provides a wide array of features designed to make your workouts at home more effective and enjoyable—and when you're not exercising, the unique 925 elliptical exerciser can be folded out of the way.

**For your benefit, read this manual carefully before you use the elliptical exerciser.** If you have questions after reading this manual, see the front cover of this manual. To help us assist you, please note the product model number and serial number before call-

ing. The model number is PFEL5926.0. The serial number can be found on a decal attached to the elliptical exerciser (see the front cover of this manual for the location of the decal).




**To avoid a registration fee for any service needed under warranty, you must register the elliptical exerciser at [www.proformservice.com/registration](http://www.proformservice.com/registration).**

Before reading further, please familiarize yourself with the parts that are labeled in the drawing below.

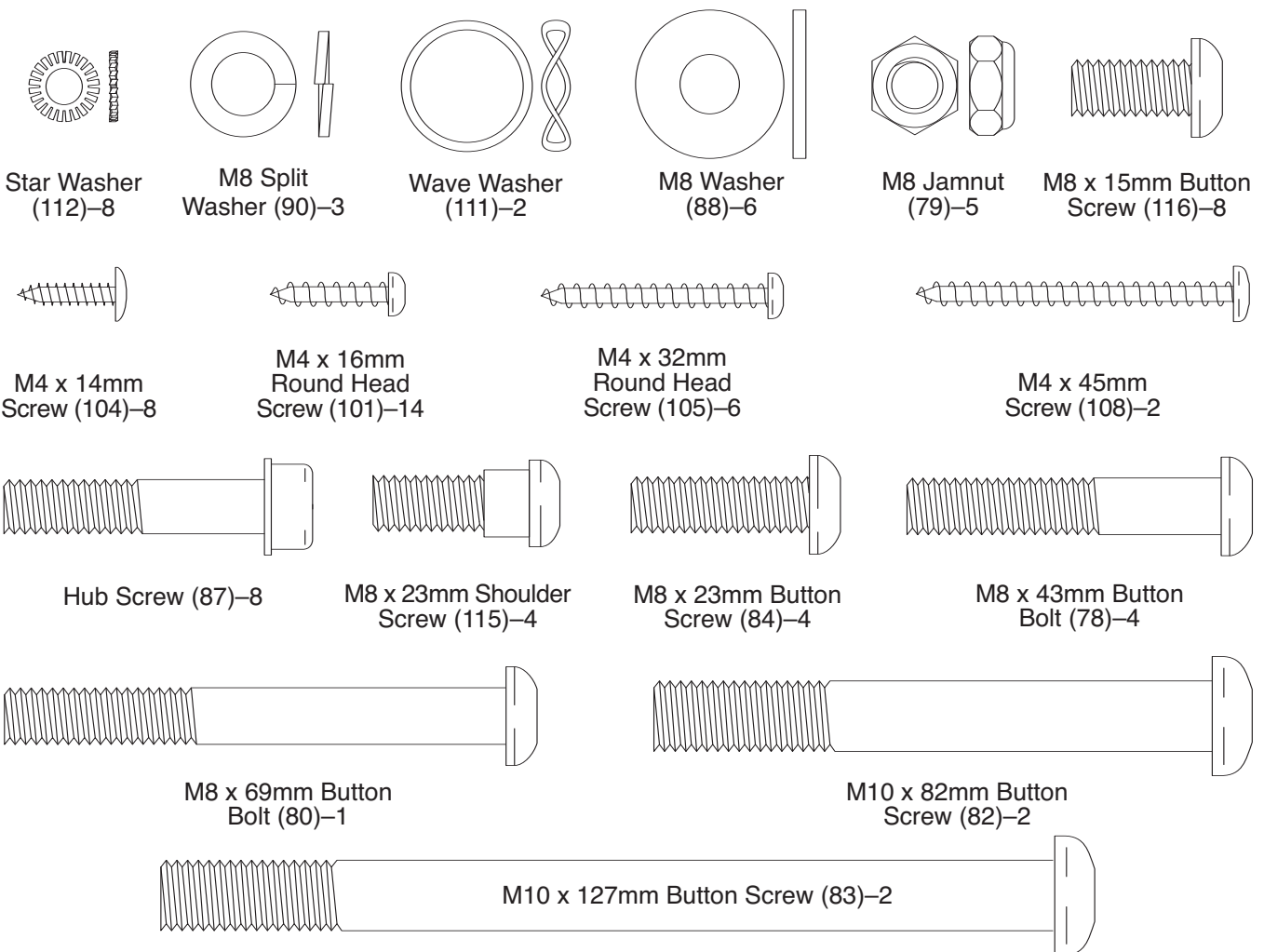


# ASSEMBLY

To hire an authorized service technician to assemble the elliptical exerciser, call toll-free 1-800-445-2480.

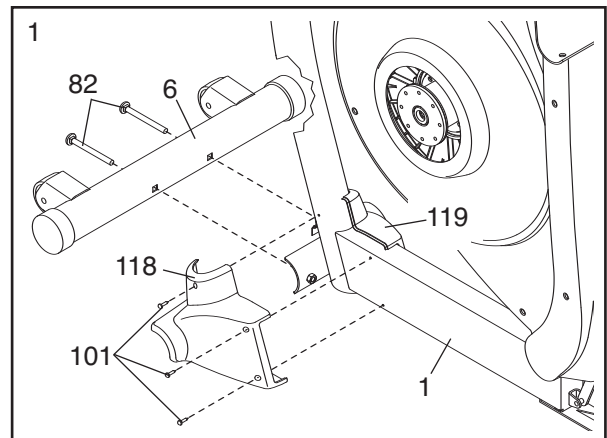
**Assembly requires two persons.** Place all parts of the elliptical exerciser in a cleared area and remove the packing materials. Do not dispose of the packing materials until assembly is completed. **Assembly requires the included hex keys and your own phillips screwdriver** , **adjustable wrench** , and **rubber mallet** .

As you assemble the elliptical exerciser, use the drawings below to identify small parts. The number in parentheses below each drawing is the key number of the part, from the PART LIST on pages 20 and 21. The number following the parentheses is the quantity needed for assembly. **Note: Some small parts may have been pre-assembled. If a part is not in the parts bag, check to see if it has been pre-assembled.**



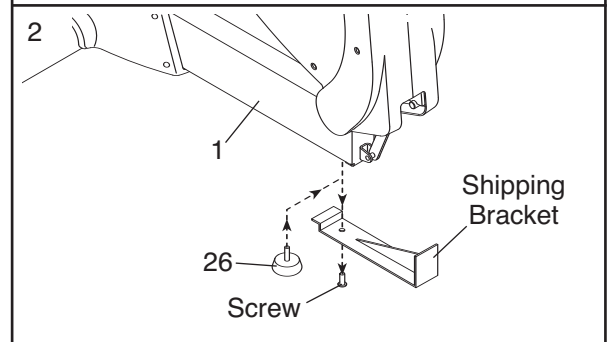
1. While another person lifts the Base (1), attach the Front Stabilizer (6) to the Base with two M10 x 82mm Button Screws (82).

Next, hold the Left Stabilizer Cover (118) and the Right Stabilizer Cover (119) around the Base (1). Attach the Stabilizer Covers with six M4 x 16mm Round Head Screws (101) (only three are shown).



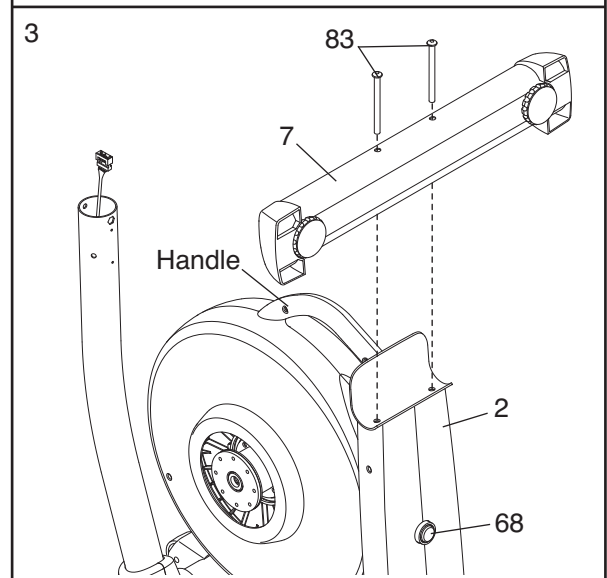
2. Remove the indicated screw and the shipping bracket from the Base (1). Discard the screw and the shipping bracket.

Next, turn the Base Foot (26) into the Base (1) as far as possible.



3. Attach the Rear Stabilizer (7) to the Frame (2) with two M10 x 127mm Button Screws (83).

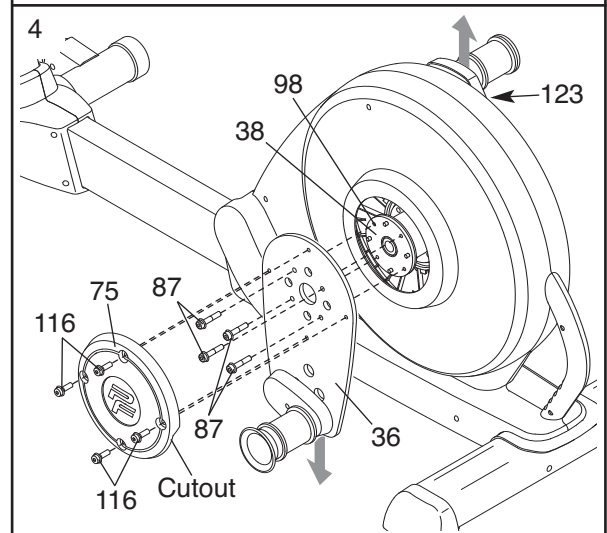
Next, hold the handle on the Frame (2), press the Latch Button (68), and lower the Frame until the Rear Stabilizer (7) is resting on the floor.



4. Identify the Left Crank Arm (36), which is marked with a sticker. Hold the Left Crank Arm against the left Crank Hub (38), and align the holes in the Left Crank Arm with the unused holes in the Crank Hub. Next, insert four Hub Screws (87) into the Left Crank Arm, and finger tighten the Hub Screws into the Crank Hub. Tighten one of the Hub Screws, and then tighten the Hub Screw farthest from the first Hub Screw. Then, tighten the remaining two Hub Screws.

Attach a Hub Cover (75) to the Left Crank Arm (36) with four M8 x 15mm Button Screws (116).

Repeat this step on the other side of the elliptical exerciser. **Make sure that the Crank Arms (36, 123) are oriented as shown. Note: There are no Pulley Screws (98) on the right side.**



- While another person holds the Upright (3), connect the Upper Wire Harness (48) to the Lower Wire Harness (49). **Gently pull the upper end of the Upper Wire Harness to remove any slack**, and insert the Upright into the Base (1). Attach the Upright with an M8 x 69mm Button Bolt (80), an M8 Split Washer (90), and an M8 Jamnut (79). **Do not tighten the Button Bolt yet; make sure that the Jamnut is in the hexagonal hole in the Base.**

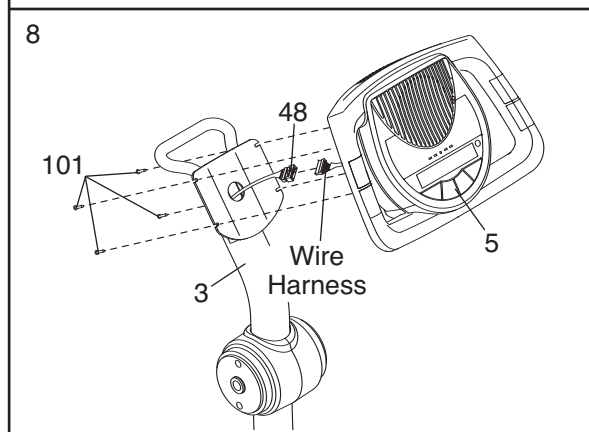
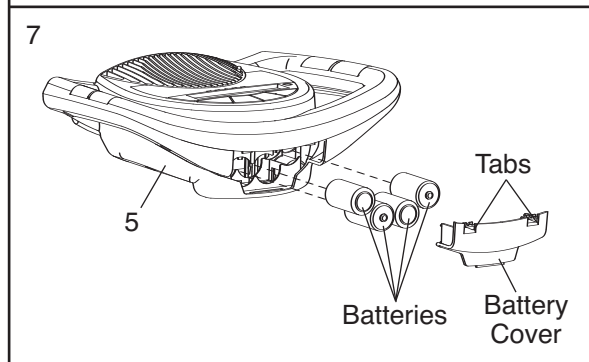
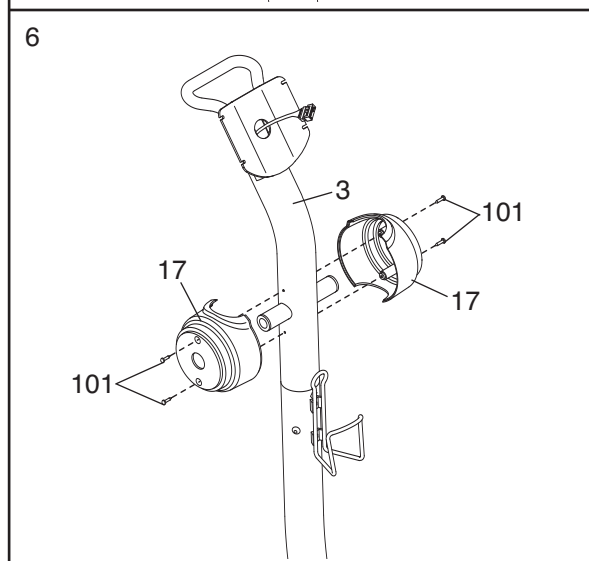
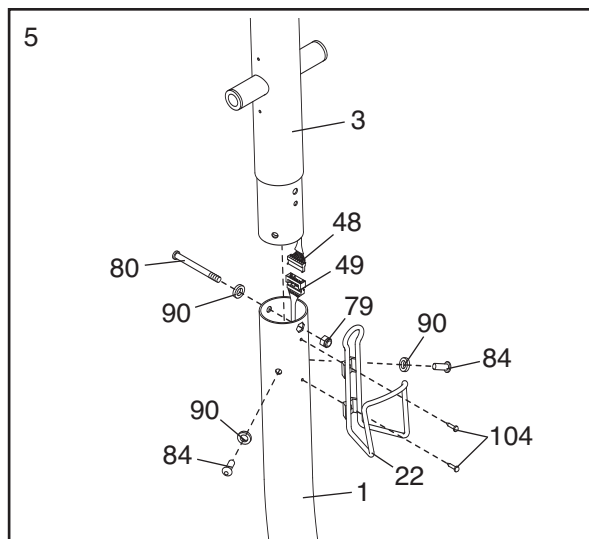
Next, finger tighten two M8 x 23mm Button Screws (84) with M8 Split Washers (90) into the Base (1). **Do not tighten the Button Screws yet.**

Attach the Water Bottle Holder (22) to the Base (1) with two M4 x 14mm Screws (104).

- Orient one of the Upright Covers (17) as shown, and hold it against the Upright (3). Attach the Upright Cover with two M4 x 16mm Round Head Screws (101). Attach the other Upright Cover in the same way.

- The Console (5) requires four 1.5V "D" batteries (not included); alkaline batteries are recommended. Press the two tabs on the battery cover, and remove the battery cover. Next, insert four batteries into the Console. **Make sure that the batteries are oriented as shown by the diagrams inside of the battery compartments.** Then, reattach the battery cover to the Console.

- While another person holds the Console (5) near the Upright (3), connect the wire harness on the Console to the Upper Wire Harness (48). Insert the excess wire harness into the Upright. Next, attach the Console to the Upright with four M4 x 16mm Round Head Screws (101). **Be careful to avoid pinching the wire harness.**

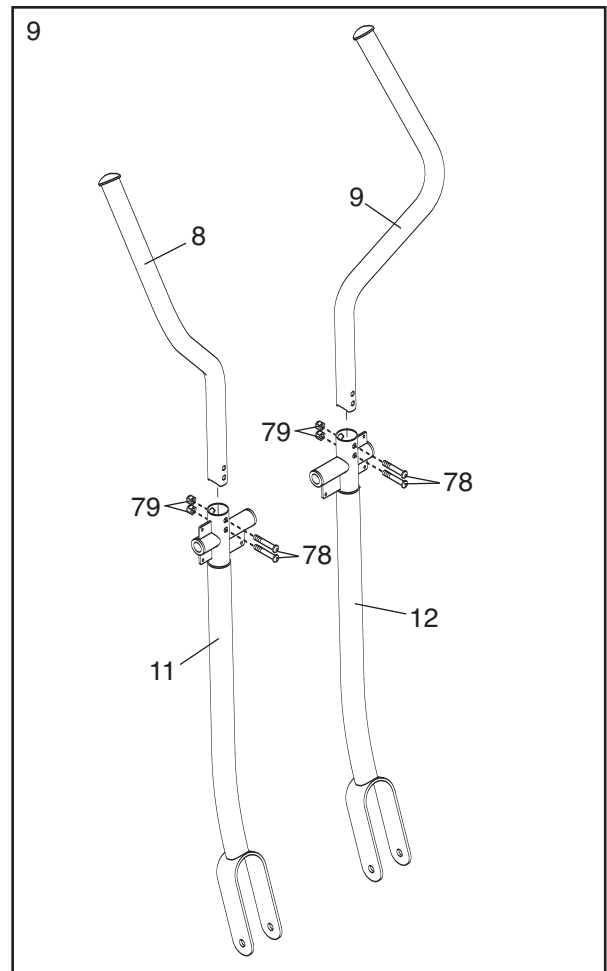




9. Identify the Left Handlebar (8) and the Left Upper Body Arm (11), which are marked with stickers.

Orient the Left Handlebar (8) and the Left Upper Body Arm (11) as shown. Insert the Left Handlebar into the Left Upper Body Arm. Attach the Left Handlebar with two M8 x 43mm Button Bolts (78) and two M8 Jamnuts (79). **Make sure that the Jamnuts are in the hexagonal holes in the Left Upper Body Arm.**

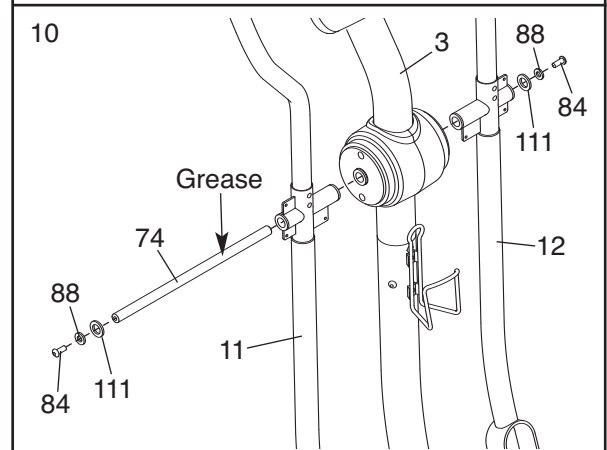
Attach the Right Handlebar (9) to the Right Upper Body Arm (12) in the same way.



10. Insert the Pivot Axle (74) into the Upright (3) and center it. Apply a generous amount of the included grease to the Pivot Axle.

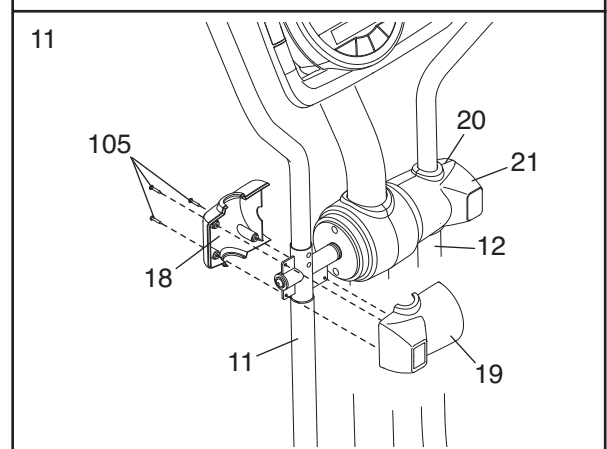
Orient the Left Upper Body Arm (11) as shown, and slide it onto the left end of the Pivot Axle (74). Slide the Right Upper Body Arm (12) onto the right end of the Pivot Axle.

Tighten an M8 x 23mm Button Screw (84) with an M8 Washer (88) and a Wave Washer (111) into each end of the Pivot Axle (74). **Make sure that the Wave Washers are on the ends of the Pivot Axle.**



11. Hold the Left Front Handlebar Cover (18) and the Left Rear Handlebar Cover (19) around the Left Upper Body Arm (11). Attach the Handlebar Covers with three M4 x 32mm Round Head Screws (105).

Attach the Right Front Handlebar Cover (20) and the Right Rear Handlebar Cover (21) around the Right Upper Body Arm (12) in the same way.

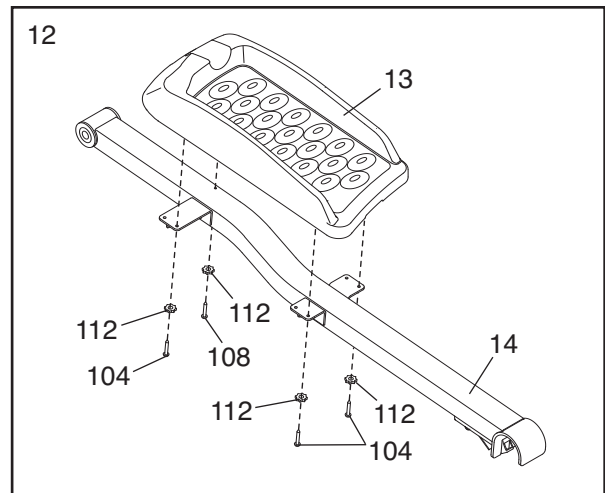




12. Identify the Left Pedal (13) and the Left Pedal Leg (14), which are marked with stickers.

Attach the Left Pedal (13) to the Left Pedal Leg (14) with an M4 x 45mm Screw (108), three M4 x 14mm Screws (104), and four Star Washers (112).

Attach the Right Pedal (not shown) to the Right Pedal Leg (not shown) in the same way.

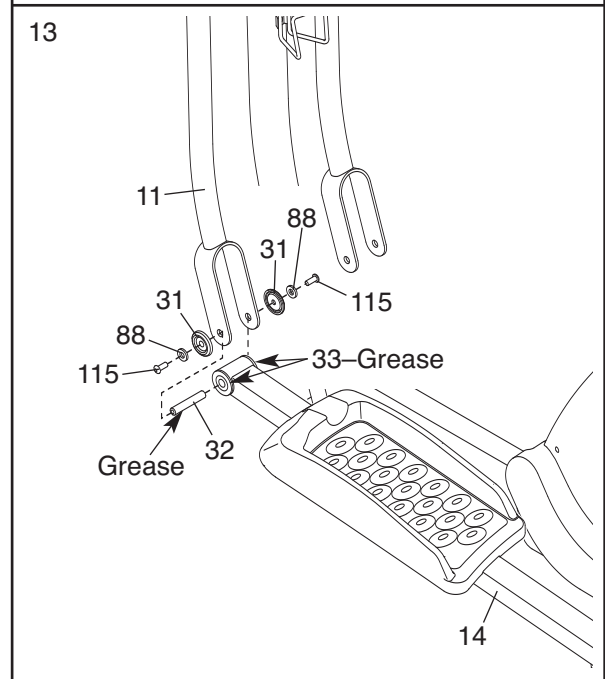


13. Apply a thin film of grease to one of the Pedal Leg Axles (32) and to the faces of the two Pedal Leg Bushings (33) in the Left Pedal Leg (14).

Next, slide an M8 Washer (88) and a Pedal Leg Cover (31) onto an M8 x 23mm Shoulder Screw (115), and turn the Shoulder Screw a few turns into the Pedal Leg Axle (32).

While another person holds the front end of the Left Pedal Leg (14) inside of the bracket on the Left Upper Body Arm (11), insert the Pedal Leg Axle (32) into both parts. Next, slide an M8 Washer (88) and a Pedal Leg Cover (31) onto another M8 x 23mm Shoulder Screw (115), and turn the Shoulder Screw a few turns into the Pedal Leg Axle. Tighten both Shoulder Screws.

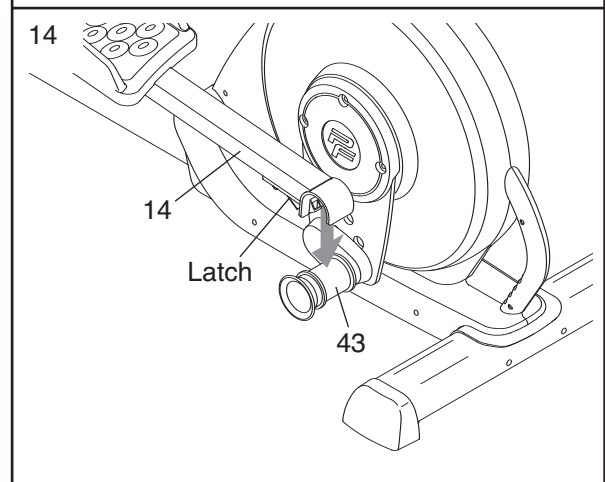
Repeat this step on the other side of the elliptical exerciser.



14. Lift the latch on the underside of the Left Pedal Leg (14), and set the Left Pedal Leg on the left Crank Bushing Sleeve (43). Release the lever, and make sure that the Left Pedal Leg is securely connected to the Crank Bushing Sleeve.

Connect the Right Pedal Leg (not shown) in the same way.

**See step 5.** Tighten the M8 x 69mm Button Bolt (80) and the two M8 x 23mm Button Screws (84).

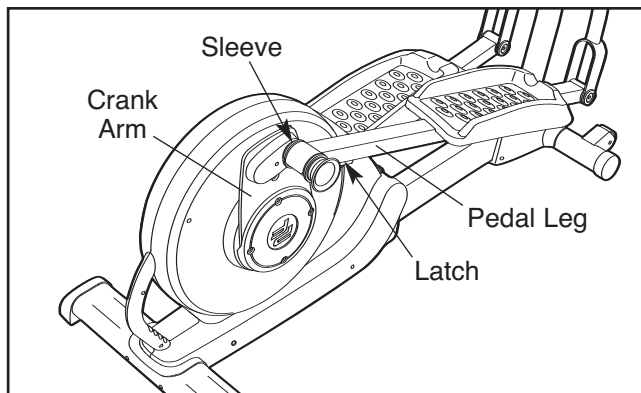


15. **Make sure that all parts of the elliptical exerciser are properly tightened.** Note: Some hardware may be left over after assembly is completed. To protect the floor or carpet from damage, place a mat under the elliptical exerciser.

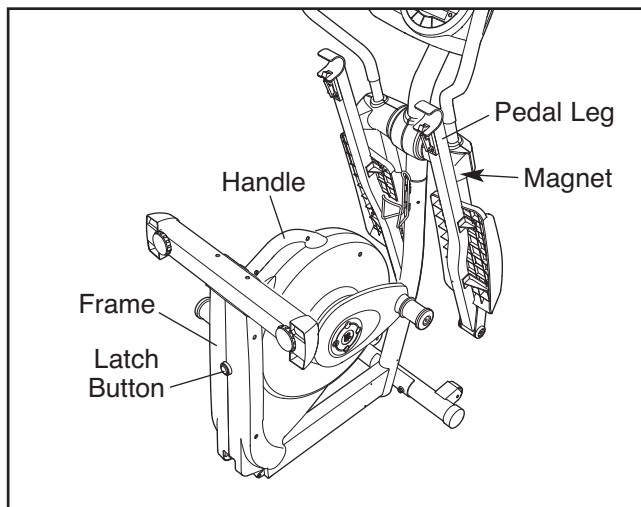
# HOW TO USE THE ELLIPTICAL EXERCISER

## HOW TO FOLD AND UNFOLD THE ELLIPTICAL EXERCISER

When the elliptical exerciser is not in use, the frame can be folded out of the way. First, lift the latch under each pedal leg, and lift the pedal legs off the sleeves on the crank arms.



Next, raise the pedal legs until they touch the magnets on the upper body arms; the magnets will hold the pedal legs in place. Then, hold the handle and lift the frame until it locks in a vertical position.

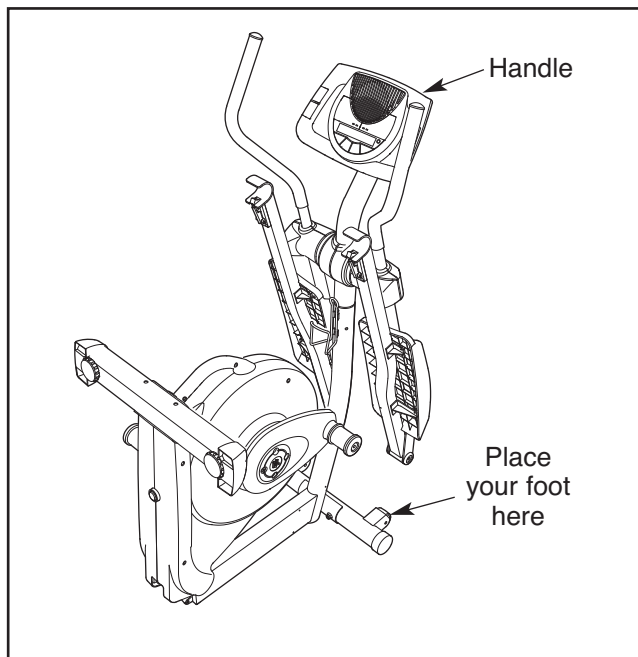


To use the elliptical exerciser, first hold the handle, press the latch button, and lower the frame.

Next, pull the pedal legs off the magnets on the upper body arms. Then, **lift the latches under the pedal legs**, and set the pedal legs on the sleeves on the crank arms. Release the latches, and make sure that the pedal legs are securely connected to the crank arms.

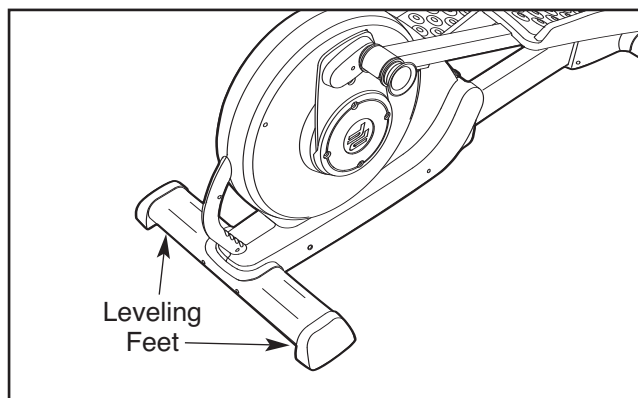
## HOW TO MOVE THE ELLIPTICAL EXERCISER

To move the elliptical exerciser, first fold it as described at the left. Next, stand in front of the elliptical exerciser, hold the handle on the console bracket, and place one foot against the center of the front stabilizer. Pull the handle until the elliptical exerciser will roll on the front wheels. Carefully move the elliptical exerciser to the desired position, and then lower it.



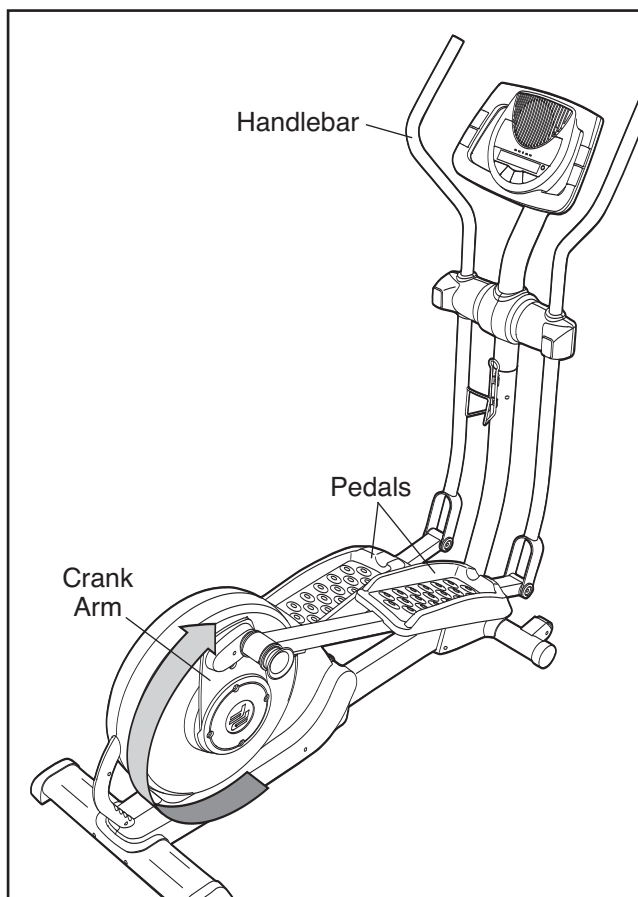
## HOW TO LEVEL THE ELLIPTICAL EXERCISER

If the elliptical exerciser rocks slightly on your floor during use, turn one or both of the leveling feet beneath the rear stabilizer until the rocking motion is eliminated.



## HOW TO EXERCISE ON THE ELLIPTICAL EXERCISER

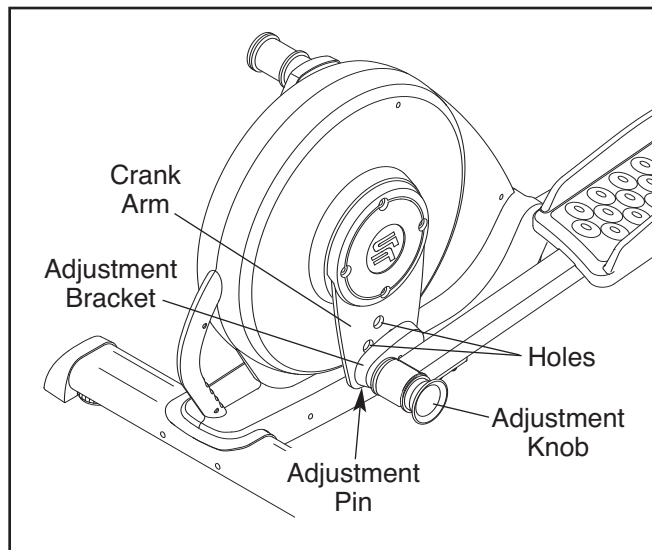
To mount the elliptical exerciser, hold the handlebars and step onto the pedal that is in the lowest position. Next, step onto the other pedal. Push the pedals until they begin to move with a continuous motion. **Note: The pedal disks can turn in either direction. It is recommended that you turn the pedal disks in the direction shown by the arrow below; however, for variety, you can turn the pedal disks in the opposite direction.**



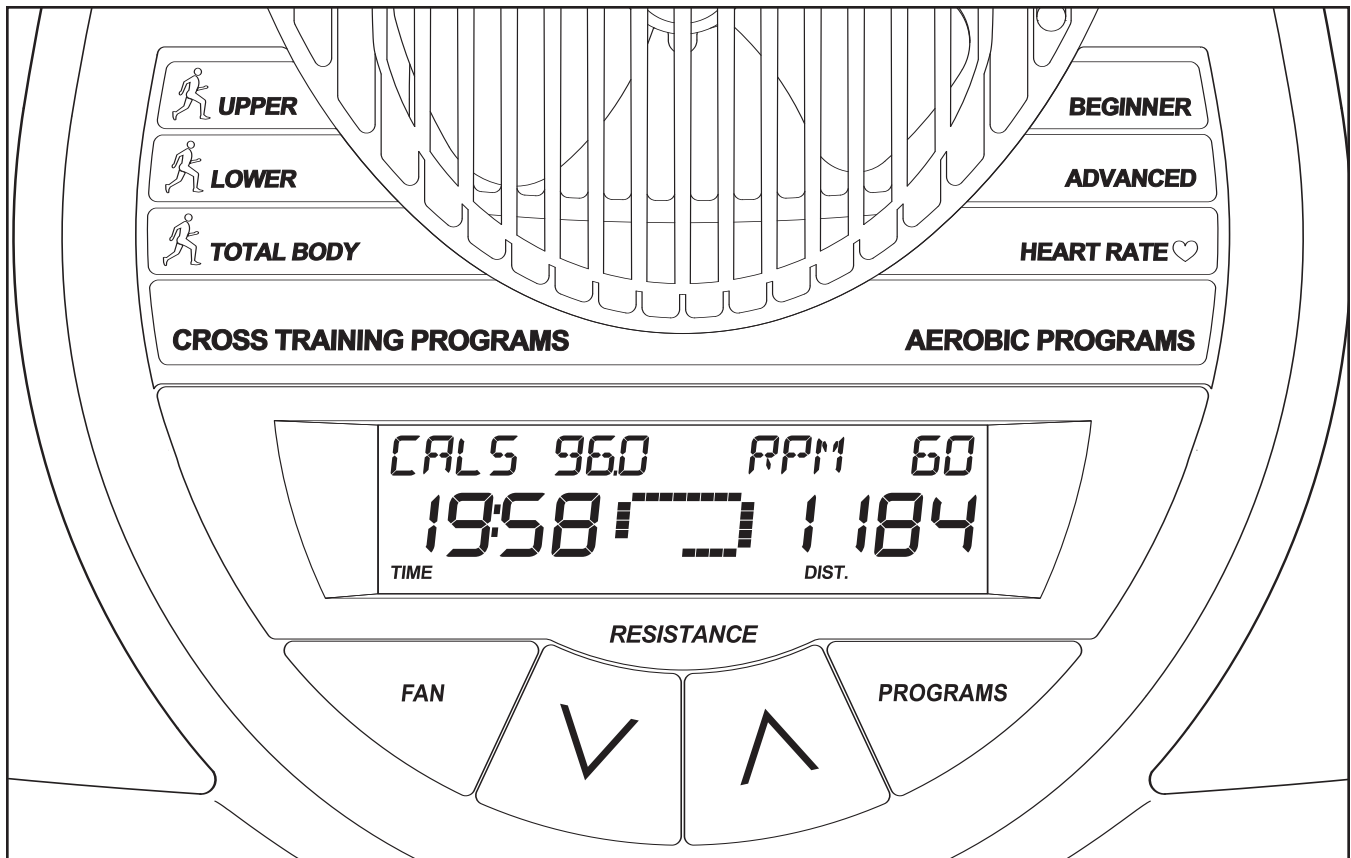
To dismount the elliptical exerciser, wait until the pedals come to a complete stop. **Note: The elliptical exerciser does not have a free wheel; the pedals will continue to move until the flywheel stops.** When the pedals are stationary, step off the highest pedal first. Then, step off the lowest pedal.

## HOW TO ADJUST THE STRIDE OF THE ELLIPTICAL EXERCISER

To adjust the stride of the elliptical exerciser, first pull one of the adjustment knobs until the adjustment bracket can be pivoted freely. Pivot the adjustment bracket until the adjustment knob is aligned with one of the three holes in the crank arm, and gently release the knob. Then, pivot the adjustment bracket back and forth slightly to make sure that the adjustment pin is engaged in one of the three holes in the crank arm.



Adjust the other side of the elliptical exerciser in the same way.



## FEATURES OF THE CONSOLE

The advanced console offers an array of features designed to make your workouts more effective and enjoyable.

When you select the manual mode of the console, you can change the resistance of the pedals with the touch of a button. As you exercise, the console will display continuous exercise feedback. You can even measure your heart rate using the handgrip pulse sensor.

The console also features six interactive cross training programs designed to help you to burn calories and enhance your cardiovascular system while toning and strengthening your muscles. The cross training programs automatically control the resistance of the pedals and prompt you to perform a variety of strength exercises during your workout. Choose an upper body, lower body, or total body cross training program to focus your workout. Note: The strength exercises require the use of dumbbells and an inflatable exercise ball (not included). **To purchase dumbbells or an exercise ball, call the toll-free telephone number on the front cover of this manual.**

The console also offers two heart rate programs. The heart rate profile program allows you to enter a maximum heart rate setting and then guides you through an effective workout by automatically changing the resistance of the pedals and prompting you to maintain a steady pedaling pace.

The heart rate control program allows you to enter a target heart rate and then changes the resistance of the pedals and prompts you to vary your pace to keep your heart rate near the target heart rate while you exercise.

**To use the manual mode of the console,** follow the steps beginning on page 13. **To use a cross training program,** see page 14. **To use a heart rate program,** see page 16.

**Note: If there is a sheet of clear plastic on the face of the console, remove the plastic.**

## HOW TO USE THE MANUAL MODE

### 1 Press the Resistance decrease button or begin pedaling to turn on the console.

A moment after you turn on the console, the display will light.

### 2 Select the manual mode.

Each time you turn on the console, the manual mode will be selected automatically. If you have selected a program, reselect the manual mode by pressing the Programs button repeatedly until the words MANUAL MODE appear in the display.

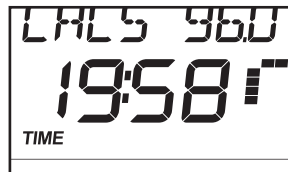
### 3 Begin pedaling and change the resistance of the pedals as desired.

As you pedal, change the resistance of the pedals by pressing the Resistance increase and decrease buttons repeatedly. There are ten resistance levels. Note: After you press the buttons, it will take a moment for the pedals to reach the selected resistance level.

### 4 Follow your progress with the display.

#### The left side of the display

—The left side of the display will show the elapsed time. Note: When a program is selected, except for the heart rate control program, the display will show the time remaining in the program instead of the elapsed time.

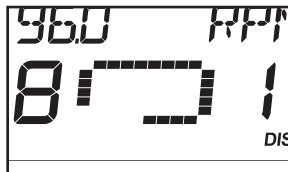


The left side of the display will also show your heart rate when you use the handgrip pulse sensor (see step 5 on this page).

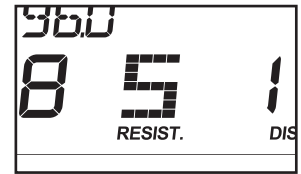
Note: When a program is selected, the left side of the display will also show the approximate number of calories you have burned.

#### The center of the display

—When you select the manual mode, the center of the display will show a track that represents 640 revolutions. As you exercise, indicators will appear in succession around the track until the entire track appears. The track will then disappear and the indicators will again begin to appear in succession.



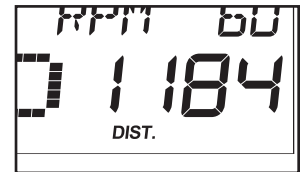
The center of the display will also show the resistance setting of the pedals for a few seconds each time the resistance setting changes.



#### The right side of the display

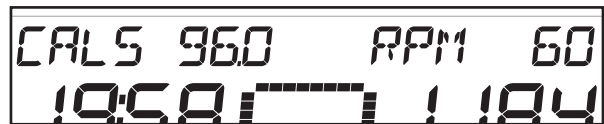
—The right side of the display will show the distance, in total revolutions, you have pedaled. Note:

When a program is selected, the right side of the display will also show your pedaling pace in revolutions per minute (rpm).



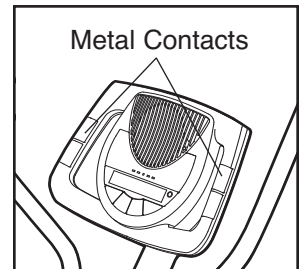
#### The top of the display

—When you select the manual mode, the top of the display will show the approximate number of calories you have burned and your pedaling pace in revolutions per minute (rpm).



### 5 Measure your heart rate if desired.

If there are sheets of clear plastic on the metal contacts on the handgrip pulse sensor, remove the plastic. To measure your heart rate, hold the handgrip pulse sensor with your palms resting against the metal contacts. **Avoid moving your hands or gripping the contacts too tightly.**



When your pulse is detected, a heart-shaped symbol will flash in the left side of the display each time your heart beats, one or two dashes will appear, and then your heart rate will be shown. For the most accurate heart rate reading, hold the contacts for at least 15 seconds. Note: If you continue to hold the handgrip pulse sensor, the display will show your heart rate for up to 30 seconds.

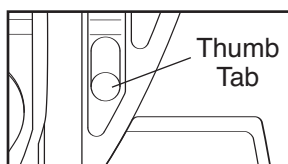


If the display does not show your heart rate, make sure that your hands are positioned as described. Be careful not to move your hands excessively or to squeeze the metal contacts too tightly. For optimal performance, clean the metal contacts using a soft cloth; **never use alcohol, abrasives, or chemicals to clean the contacts.**

**6 Turn on the fan if desired.**

To turn on the fan at high speed, press the Fan button. To turn on the fan at low speed, press the button a second time. To turn off the fan, press the button a third time. Note: If the pedals do not move for a few minutes, the fan will automatically turn off to conserve the batteries.

Pivot the thumb tab on the right side of the fan to adjust the fan angle.



**7 When you are finished exercising, the console will turn off automatically.**

If the pedals do not move for several seconds, a tone will sound and the console will pause.

If the pedals do not move for about five minutes and the buttons are not pressed, the console will turn off and the display will be reset.

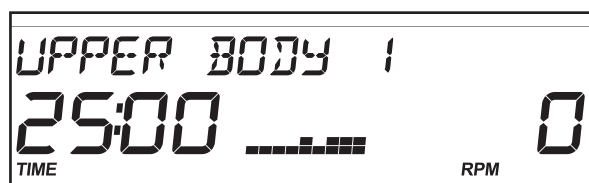
**HOW TO USE A CROSS TRAINING PROGRAM**

**1 Press the Resistance decrease button or begin pedaling to turn on the console.**

A moment after you turn on the console, the display will light.

**2 Select one of the six cross training programs.**

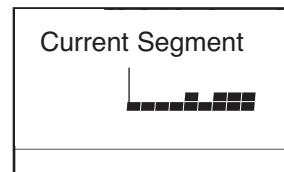
To select a cross training program, press the Programs button repeatedly until the name of the desired cross training program appears in the display. When you select a cross training program, the program time will appear in the display and a profile of the resistance settings for the program will scroll across the center of the display.



**3 Begin pedaling to start the program.**

Each program is divided into 25, 30, or 45 one-minute segments. One resistance setting and one target rpm (revolutions per minute) setting are programmed for most segments. (Note: The same resistance and/or target rpm setting may be programmed for two or more consecutive segments.) During other segments, the console will prompt you to perform strength exercises.

The resistance setting for the first segment will appear in the flashing Current Segment column in the display. The resistance settings for the next several segments will appear in the columns to the right. The target rpm setting will appear in the top of the display.

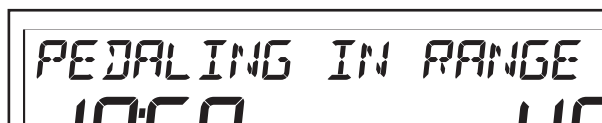


When only three seconds remain in the first segment of the program, both the Current Segment column and the column to the right will flash and a series of tones will sound. If the resistance and/or target rpm is about to change, the resistance setting and/or the target rpm setting will appear in the display to alert you.



When the first segment is completed, *all resistance settings will move one column to the left.* The resistance setting for the second segment will then appear in the flashing Current Segment column and the pedals will automatically adjust to the resistance setting for the second segment. Note: If all the indicators in the Current Segment column are lit, *the resistance settings may move downward* so that only the highest indicators appear in the matrix.

As you exercise, you will be prompted to keep your pedaling pace near the target rpm setting for the current segment. When the words PEDAL FASTER appear in the display, increase your pace. When the words PEDAL SLOWER appear in the display, decrease your pace. When the words PEDALING IN RANGE appear, maintain your current pace.



**Important: The target rpm settings are intended only to provide motivation. Your actual pace may be slower than the target rpm settings. Make sure to exercise at a pace that is comfortable for you.**

If the resistance setting for the current segment is too high or too low, you can manually override the setting by pressing the Resistance decrease or increase buttons. Every few times you press a Resistance button, an additional indicator will appear or disappear in the Current Segment column; if any of the columns to the right of the Current Segment column have the same number of lit indicators as the Current Segment column, an additional indicator may appear or disappear in those columns as well. **Important: When the current segment of the program ends, the pedals will automatically adjust to the resistance setting for the next segment.**

To stop the program at any time, stop pedaling. The time will begin to flash in the display. To restart the program, simply resume pedaling.

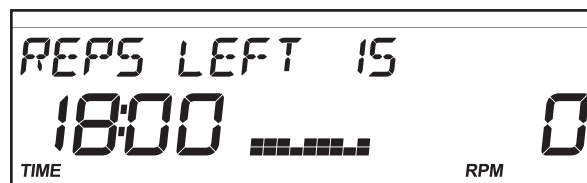
#### **4 Perform the first strength exercise when prompted.**

When the first strength exercise segment begins, the name of the first strength exercise will appear in the display for a few seconds. The time will pause and flash in the display.



Next, the display will show the recommended number of repetitions for the first strength exercise.

Step off the elliptical exerciser and prepare to begin the first strength exercise. Every few seconds, the console will sound a tone; when a tone sounds, perform one repetition of the exercise. Exercise with a slow, steady motion; do not perform more than one repetition each time a tone sounds. The display will count down the repetitions as you perform them.



Note: Refer to the accompanying exercise chart to see the correct form for each exercise. When performing lunges, alternate legs with each repetition. When performing dumbbell rows, perform half the repetitions with your right arm and half the repetitions with your left arm. The strength exercises require the use of dumbbells and an inflatable exercise ball (not included). **To purchase dumbbells or an exercise ball, call the toll-free telephone number on the front cover of this manual.**

#### **5 Continue the cross training program.**

When you have performed the recommended number of repetitions, the words START PEDALING will appear in the display. To continue the cross training program, step onto the exerciser and start pedaling. The pedals will automatically adjust to the resistance setting for the next segment.



The program will continue in this way until the last segment ends. Then, the words PROGRAM DONE will appear in the display.



**6 Follow your progress with the display.**

See step 4 on page 13.

**7 Measure your heart rate if desired.**

See step 5 on page 13.

**8 Turn on the fan if desired.**

See step 6 on page 14.

**9 When you are finished exercising, the console will turn off automatically.**

See step 7 on page 14.

**HOW TO USE A HEART RATE PROGRAM**

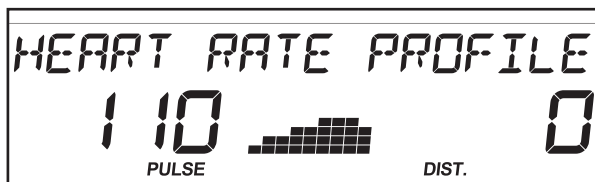
**1 Press the Resistance decrease button or begin pedaling to turn on the console.**

A moment after you turn on the console, the display will light.

**2 Select one of the two heart rate programs.**

To select a heart rate program, press the Programs button repeatedly until HEART RATE PROFILE or HEART RATE CONTROL appears in the display.

If you select the heart rate profile program, the maximum target heart rate setting will flash and a profile of the target heart rate settings for the program will scroll across the center of the display.



If you select the heart rate control program, the target heart rate setting for the program will flash in the display.



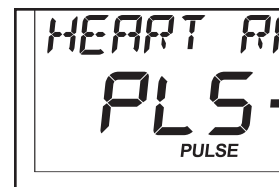
**3 Enter a target heart rate setting.**

If you select the heart rate profile program, the maximum target heart rate setting of the program will flash in the display. Use the Resistance increase and decrease buttons to change the maximum heart rate setting, if desired. Note: If you change the maximum target heart rate setting, the intensity level of the entire program will change.

If you select the heart rate control program, the target heart rate setting for the program will flash in the display. Use the Resistance increase and decrease buttons to change the target heart rate setting, if desired. Note: The same target heart rate setting will be used for the entire program.

**4 Hold the handgrip pulse sensor.**

It is not necessary to hold the handgrip pulse sensor continuously during a heart rate program; however, you should hold the handgrip pulse sensor frequently for the program to operate properly.



Each time you hold the handgrip pulse sensor, keep your hands on the metal contacts for at least 30 seconds. When you are not holding the handgrip pulse sensor, the letters PLS will appear in the display instead of your heart rate.

**5 Begin pedaling to start the program.**

**Heart rate profile program**—This program is divided into 30 one-minute segments. One target heart rate setting is programmed for each segment. Note: The same target heart rate setting may be programmed for two or more consecutive segments.

The target heart rate setting for the first segment will be shown in the flashing Current Segment column of the display. The target heart rate settings for the next several segments will be shown in the columns to the right.

When only three seconds remain in the first segment of the program, both the Current Segment column and the column to the right will flash, a series of tones will sound, and all target heart rate settings will move one column to the left. The target heart rate setting for the second segment will then be shown in the flashing Current Segment column.

The program will continue in this way until the last segment ends. Then, the words PROGRAM DONE will appear in the display.

**Heart rate control program**—The same target heart rate is programmed for all segments of this program.

**Both heart rate programs**—As you pedal, the console will regularly compare your heart rate to the target heart rate setting. If your heart rate is too far below or above the target heart rate, the resistance of the pedals will automatically increase or decrease to bring your heart rate closer to the target heart rate.

You will also be prompted to pedal at a steady pace. When the words PEDAL FASTER appear in the display, increase your pace. When the words PEDAL SLOWER appear in the display, decrease your pace. When the words PEDALING IN RANGE appear, maintain your current pace.



**Important: Make sure to exercise at a pace that is comfortable for you.** Note: You can manually override the resistance settings; however, you may not maintain the target heart rate. Also, when the console compares your heart rate to the target heart rate setting, the resistance of the pedals may automatically increase or decrease to bring your heart rate closer to the target heart rate setting.

**6 Follow your progress with the display.**

See step 4 on page 13.

**7 Measure your heart rate if desired.**

See step 5 on page 13.

**8 Turn on the fan if desired.**

See step 6 on page 14.

**9 When you are finished exercising, the console will turn off automatically.**

See step 7 on page 14.

# MAINTENANCE AND TROUBLESHOOTING

Inspect and tighten all parts of the elliptical exerciser regularly. Replace any worn parts immediately.

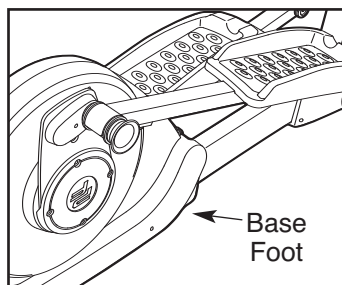
To clean the elliptical exerciser, use a damp cloth and a small amount of mild soap. **Important: To avoid damage to the console, keep liquids away from the console and keep the console out of direct sunlight.**

## BATTERY REPLACEMENT

If the console display becomes dim, the batteries should be replaced; most console problems are the result of low batteries. See assembly step 7 on page 7 for replacement instructions.

## HOW TO ELIMINATE FLEXING IN THE CENTER OF THE ELLIPTICAL EXERCISER

If the elliptical exerciser flexes in the center during use, turn the base foot until the flexing is eliminated.



## HOW TO LEVEL THE ELLIPTICAL EXERCISER

If the elliptical exerciser rocks slightly on your floor during use, see HOW TO LEVEL THE ELLIPTICAL EXERCISER on page 10.

## HANDGRIP PULSE SENSOR TROUBLESHOOTING

- Avoid moving your hands while using the handgrip pulse sensor. Excessive movement may interfere with heart rate readings.
- Do not hold the metal contacts too tightly; doing so may interfere with heart rate readings.
- For the most accurate heart rate reading, hold the metal contacts for about 30 seconds.
- For optimal performance of the handgrip pulse sensor, keep the metal contacts clean. The contacts can be cleaned with a soft cloth—**never use alcohol, abrasives, or chemicals.**

# CONDITIONING GUIDELINES

## WARNING:




Before beginning this or any exercise program, consult your physician. This is especially important for persons over the age of 35 or persons with pre-existing health problems.

The pulse sensor is not a medical device. Various factors may affect the accuracy of heart rate readings. The pulse sensor is intended only as an exercise aid in determining heart rate trends in general.

The following guidelines will help you to plan your exercise program. Remember that proper nutrition and adequate rest are essential for successful results.

### EXERCISE INTENSITY

Whether your goal is to burn fat or to strengthen your cardiovascular system, the key to achieving the desired results is to exercise with the proper intensity. The proper intensity level can be found by using your heart rate as a guide. The chart below shows recommended heart rates for fat burning, maximum fat burning, and cardiovascular (aerobic) exercise.

165	155	145	140	130	125	115	
145	138	130	125	118	110	103	
125	120	115	110	105	95	90	
20	30	40	50	60	70	80	

To find the proper heart rate for you, first find your age at the bottom of the chart (ages are rounded off to the nearest ten years). Next, find the three numbers above your age. The three numbers are your “training zone.” The lower two numbers are recommended heart rates for fat burning; the highest number is the recommended heart rate for aerobic exercise.

### Fat Burning

To burn fat effectively, you must exercise at a relatively low intensity level for a sustained period of time.

During the first few minutes of exercise, your body uses easily accessible *carbohydrate* calories for energy. Only after the first few minutes of exercise does your body begin to use stored *fat* calories for energy. If your goal is to burn fat, adjust the intensity of your exercise until your heart rate is near the lowest number in your training zone as you exercise.

For maximum fat burning, adjust the intensity of your exercise until your heart rate is near the middle number in your training zone as you exercise.

### Aerobic Exercise

If your goal is to strengthen your cardiovascular system, your exercise must be “aerobic.” Aerobic exercise is activity that requires large amounts of oxygen for prolonged periods of time. This increases the demand on the heart to pump blood to the muscles, and on the lungs to oxygenate the blood. For aerobic exercise, adjust the intensity of your exercise until your heart rate is near the highest number in your training zone as you exercise.

### WORKOUT GUIDELINES

Each workout should include the following three parts:

**A warm-up**, consisting of 5 to 10 minutes of stretching and light exercise. A proper warm-up increases your body temperature, heart rate, and circulation in preparation for exercise.

**Training zone exercise**, consisting of 20 to 30 minutes of exercising with your heart rate in your training zone. Note: During the first few weeks of your exercise program, do not keep your heart rate in your training zone for longer than 20 minutes.

**A cool-down**, with 5 to 10 minutes of stretching. This will increase the flexibility of your muscles and will help to prevent post-exercise problems.

### EXERCISE FREQUENCY

To maintain or improve your condition, complete three workouts each week, with at least one day of rest between workouts. After a few months of regular exercise, you may complete up to five workouts each week if desired. The key to success is to make exercise a regular and enjoyable part of your everyday life.

# PART LIST—Model No. PFEL5926.0

R0606A

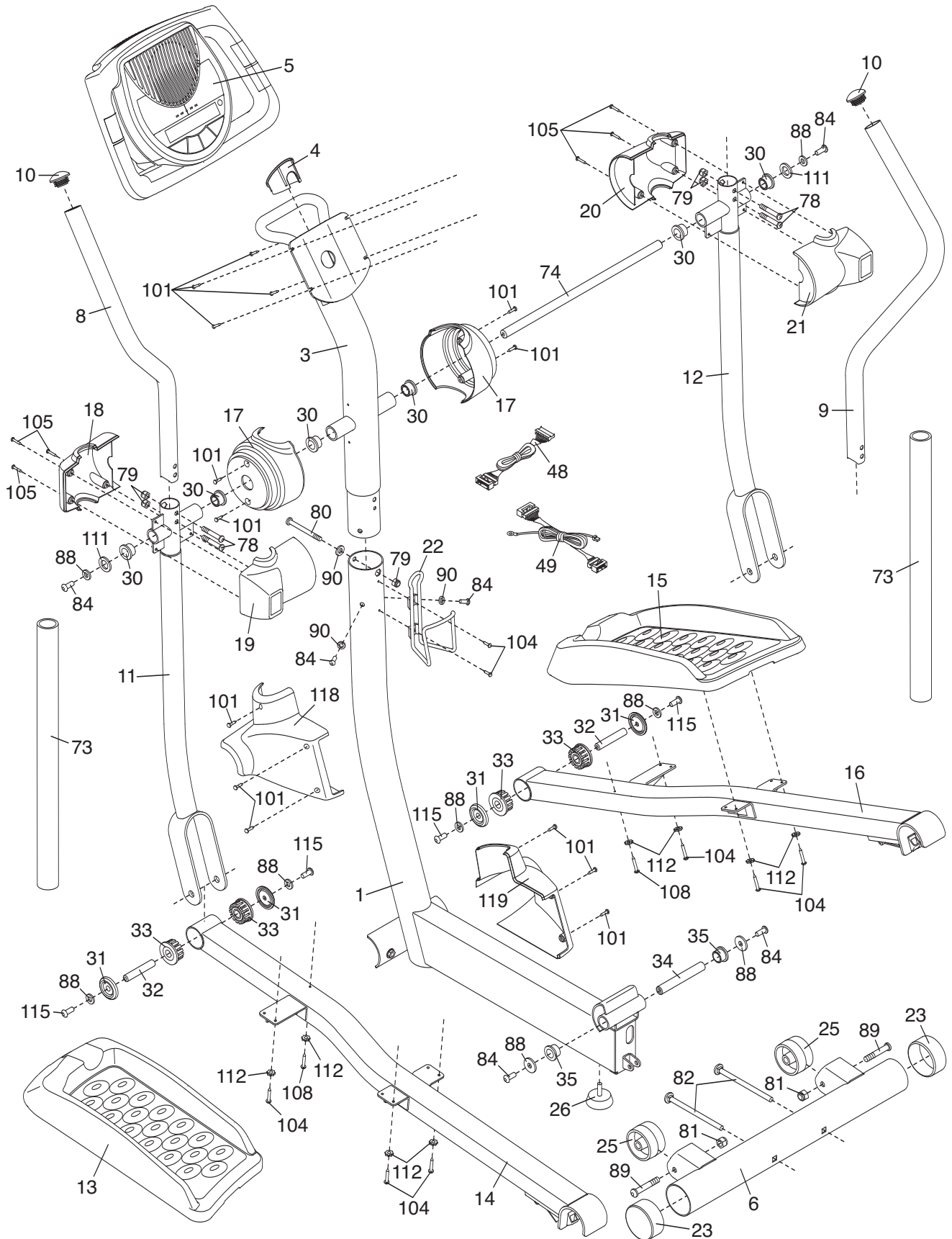
Key No.	Qty.	Description	Key No.	Qty.	Description
1	1	Base	51	1	Belt
2	1	Frame	52	1	Flywheel
3	1	Upright	53	1	“C” Magnet
4	1	Upright Endcap	54	1	Pillow Block
5	1	Console	55	1	Magnet
6	1	Front Stabilizer	56	1	Spring
7	1	Rear Stabilizer	57	1	Idler
8	1	Left Handlebar	58	1	Idler Bracket
9	1	Right Handlebar	59	1	Clamp
10	2	Handlebar Endcap	60	1	Reed Switch Bracket
11	1	Left Upper Body Arm	61	1	Base Pin
12	1	Right Upper Body Arm	62	2	Latch Bracket Spacer
13	1	Left Pedal	63	2	Hair Pin
14	1	Left Pedal Leg	64	1	Latch Bracket
15	1	Right Pedal	65	1	Pivot Bracket
16	1	Right Pedal Leg	66	2	Pivot Bracket Spacer
17	2	Upright Cover	67	1	Frame Pin
18	1	Left Front Handlebar Cover	68	1	Latch Button
19	1	Left Rear Handlebar Cover	69	1	Roll Pin
20	1	Right Front Handlebar Cover	70	1	Motor
21	1	Right Rear Handlebar Cover	71	1	Resistance Cable Pulley
22	1	Water Bottle Holder	72	1	Resistance Cable Set
23	2	Front Stabilizer Endcap	73	2	Foam Grip
24	2	Rear Stabilizer Endcap	74	1	Pivot Axle
25	2	Wheel	75	2	Hub Cover
26	1	Base Foot	76	2	Adjustment Knob
27	2	Leveling Foot	77	2	Flywheel Bracket
28	1	Left Side Shield	78	4	M8 x 43mm Button Bolt
29	1	Right Side Shield	79	7	M8 Jamnut
30	6	Upper Body Bushing	80	1	M8 x 69mm Button Bolt
31	4	Pedal Leg Cover	81	2	M10 Nylon Locknut
32	2	Pedal Leg Axle	82	2	M10 x 82mm Button Screw
33	4	Pedal Leg Bushing	83	2	M10 x 127mm Button Screw
34	1	Base Axle	84	8	M8 x 23mm Button Screw
35	2	Base Bushing	85	1	M6 x 10mm Button Screw
36	1	Left Crank Arm	86	2	Crank Screw
37	2	Adjustment Arm Cover	87	8	Hub Screw
38	2	Crank Hub	88	8	M8 Washer
39	1	Pulley Spacer	89	2	M10 x 60mm Button Screw
40	1	Pulley	90	3	M8 Split Washer
41	2	Adjustment Arm	91	1	Flywheel Spacer
42	4	Crank Bushing	92	1	Flywheel Washer
43	2	Crank Bushing Sleeve	93	1	Flywheel Snap Ring
44	2	Crank Bearing Set	94	4	Pillow Block Screw
45	1	Crank	95	1	Stop Screw
46	1	Crank Spacer	96	1	M8 x 35mm Screw
47	2	Crank Snap Ring	97	1	“E” Clip
48	1	Upper Wire Harness	98	4	Pulley Screw
49	1	Lower Wire Harness	99	2	Adjustment Pin
50	1	Reed Switch/Wire	100	2	M4 x 25mm Screw

<b>Key No.</b>	<b>Qty.</b>	<b>Description</b>	<b>Key No.</b>	<b>Qty.</b>	<b>Description</b>
101	14	M4 x 16mm Round Head Screw	114	1	M6 Nut
102	4	Motor Washer	115	4	M8 x 23mm Shoulder Screw
103	13	M4 x 16mm Screw	116	8	M8 x 15mm Button Screw
104	8	M4 x 14mm Screw	117	2	Large Wave Washer
105	6	M4 x 32mm Round Head Screw	118	1	Left Stabilizer Cover
106	2	Adjustment Spring	119	1	Right Stabilizer Cover
107	4	M4 x 12mm Screw	120	2	M4 x 12mm Round Head Screw
108	2	M4 x 45mm Screw	121	2	M8 Large Washer
109	2	Large Snap Ring	122	2	Middle Wave Washer
110	2	M8 Small Washer	123	1	Right Crank Arm
111	2	Wave Washer	#	2	Hex Key
112	8	Star Washer	#	1	Grease
113	1	M10 Washer	#	1	User's Manual

Note: “#” indicates a non-illustrated part. Specifications are subject to change without notice. See the back cover of this manual for information about ordering replacement parts.

# EXPLODED DRAWING A—Model No. PFEL5926.0

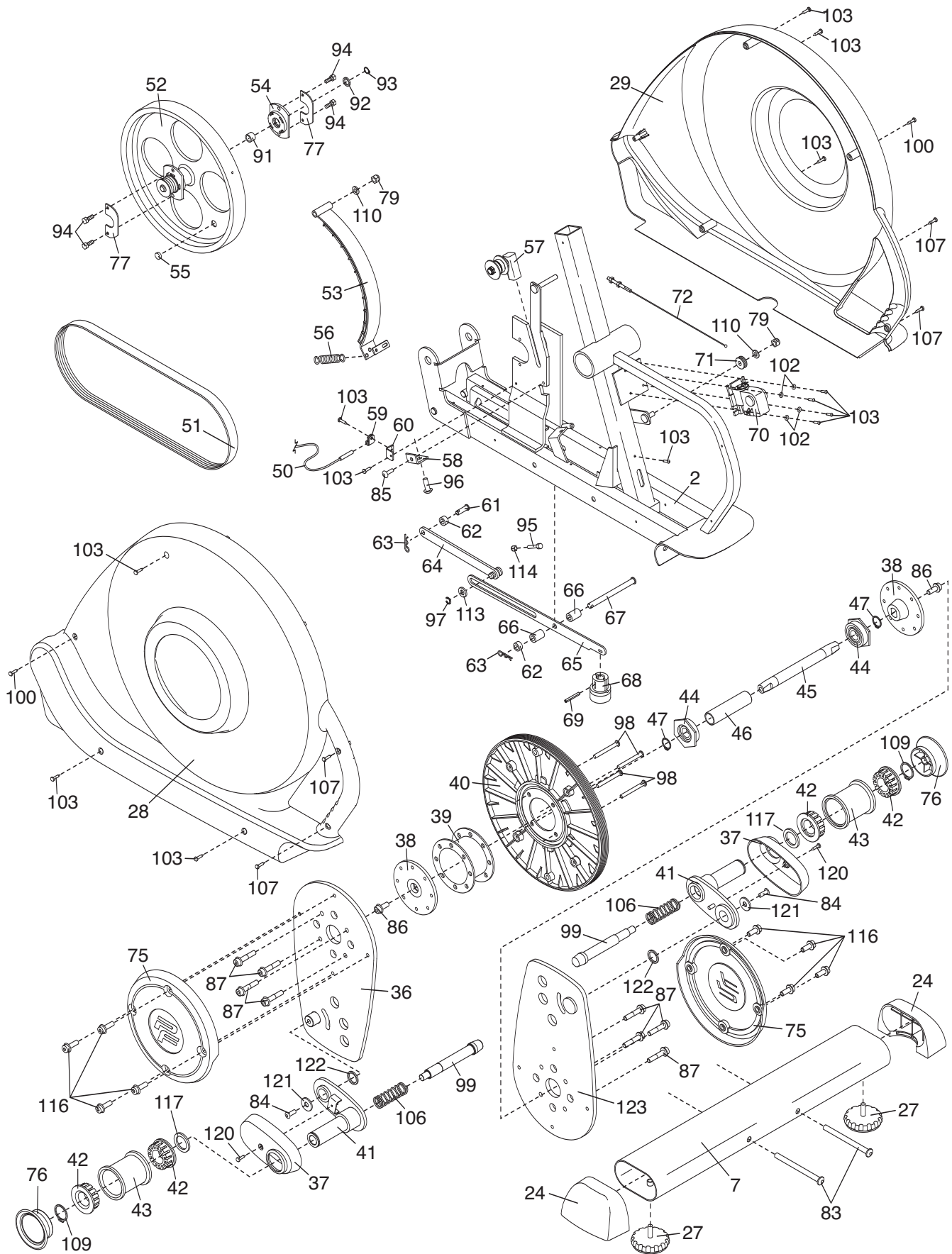
R0606A





# EXPLODED DRAWING B—Model No. PFEL5926.0

R0606A



# HOW TO ORDER REPLACEMENT PARTS

To order replacement parts, please see the front cover of this manual. To help us assist you, please be prepared to provide the following information when contacting us:

- the MODEL NUMBER of the product (PFEL5926.0)
- the NAME of the product (PROFORM 925 elliptical exerciser)
- the SERIAL NUMBER of the product (see the front cover of this manual)
- the KEY NUMBER and DESCRIPTION of the part(s) (see pages 20 to 23)

## LIMITED WARRANTY

ICON Health & Fitness, Inc. (ICON), warrants this product to be free from defects in workmanship and material, under normal use and service conditions, for a period of ninety (90) days from the date of purchase. This warranty extends only to the original purchaser. ICON's obligation under this warranty is limited to replacing or repairing, at ICON's option, the product through one of its authorized service centers. All repairs for which warranty claims are made must be pre-authorized by ICON. If the product is shipped to a service center, freight charges to and from the service center will be the customer's responsibility. For in-home service, the customer will be responsible for a minimal trip charge. This warranty does not extend to any product or damage to a product caused by or attributable to freight damage, abuse, misuse, improper or abnormal usage or repairs not provided by an ICON authorized service center; products used for commercial or rental purposes; or products used as store display models. No other warranty beyond that specifically set forth above is authorized by ICON.

ICON is not responsible or liable for indirect, special or consequential damages arising out of or in connection with the use or performance of the product or damages with respect to any economic loss, loss of property, loss of revenues or profits, loss of enjoyment or use, costs of removal or installation or other consequential damages of whatsoever nature. Some states do not allow the exclusion or limitation of incidental or consequential damages. Accordingly, the above limitation may not apply to you.

The warranty extended hereunder is in lieu of any and all other warranties and any implied warranties of merchantability or fitness for a particular purpose is limited in its scope and duration to the terms set forth herein. Some states do not allow limitations on how long an implied warranty lasts. Accordingly, the above limitation may not apply to you.

This warranty gives you specific legal rights. You may also have other rights which vary from state to state.

**ICON HEALTH & FITNESS, INC., 1500 S. 1000 W., LOGAN, UT 84321-9813**

## Free Manuals Download Website

<http://myh66.com>

<http://usermanuals.us>

<http://www.somanuals.com>

<http://www.4manuals.cc>

<http://www.manual-lib.com>

<http://www.404manual.com>

<http://www.luxmanual.com>

<http://aubethermostatmanual.com>

Golf course search by state

<http://golfingnear.com>

Email search by domain

<http://emailbydomain.com>

Auto manuals search

<http://auto.somanuals.com>

TV manuals search

<http://tv.somanuals.com>