

# PRO-FORM®

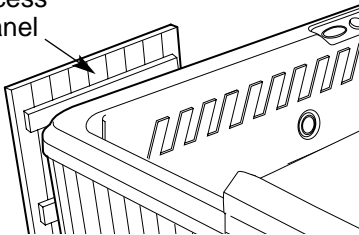
# ORBIT

Model No. PFSG51030

Serial No. \_\_\_\_\_

The serial number is on a sign behind the access panel. Write the serial number in the space above.

Access  
Panel



## QUESTIONS?

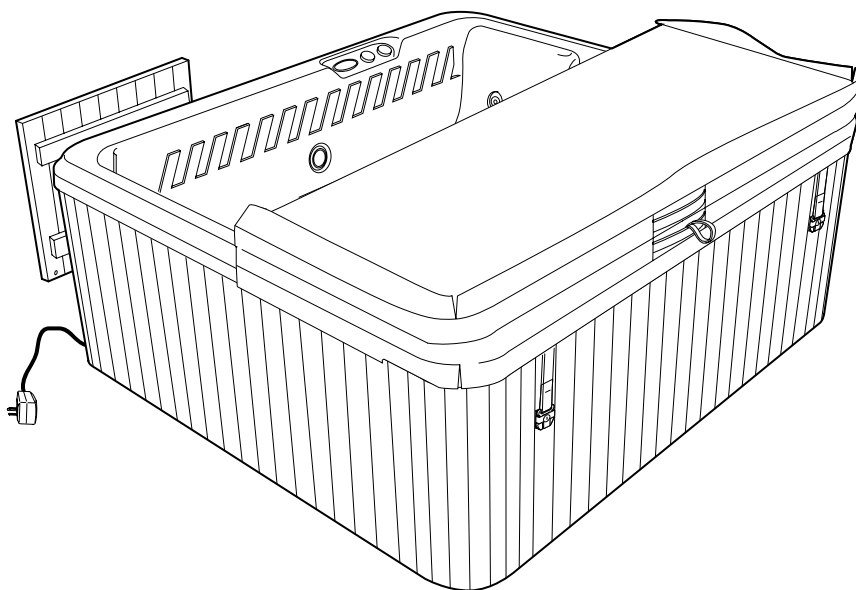
If you have questions, or if there are missing parts, we will guarantee complete satisfaction through direct assistance from our factory.

**TO AVOID DELAYS, PLEASE CALL DIRECT TO OUR TOLL-FREE CUSTOMER HOT LINE.** The technicians on our customer hot line will provide immediate assistance, free of charge.

**CUSTOMER HOT LINE:**

**1-877-897-7493**

Mon.–Fri., 8 a.m.–5 p.m. CST



## CAUTION

Read all precautions and instructions in this manual before using this equipment. Save this manual for future reference.



Visit our website at

**[www.proform.com](http://www.proform.com)**


*new products, prizes,  
fitness tips, and much more!*

# Table of Contents

Posting the Warning Sign	2
Important Safety Instructions	3
Before You Begin	6
Choosing a Location for the Hydrotherapy Spa	7
Assembly	8
Using the Hydrotherapy Spa	10
Spa Shell Diagram	11
Using the Controls	12
Maintenance	13
Troubleshooting	16
Part List	18
Exploded Drawing	19
Ordering Replacement Parts	Back Cover
Limited Warranty	Back Cover

## Posting the Warning Sign

The warning sign, shown below, must be posted on a wall or fence where it will be visible to all users of the hydrotherapy spa. Whenever the spa is moved, the sign must also be moved and reposted near the spa. If the sign becomes lost or illegible, call our toll-free Customer Hot Line at 1-877-897-7493 to obtain a replacement sign. Post the sign as described above.

 **WARNING**

**DURING PREGNANCY, SOAKING IN HOT WATER MAY CAUSE DAMAGE TO THE FETUS. LIMIT USE TO 10 MINUTES AT A TIME.**

<b>PREVENT DROWNING</b> <ul style="list-style-type: none"><li>• Spa heat speeds up the effect of alcohol, drugs, or medicine and can cause unconsciousness.</li><li>• Immediately leave spa if uncomfortable or sleepy.</li></ul>	<b>PREVENT CHILD DROWNING</b> <ul style="list-style-type: none"><li>• Water attracts children.</li><li>• Always attach spa cover after each use.</li></ul>
---	--

# Important Safety Instructions

**⚠️ WARNING:** To reduce the risk of drowning, electric shock, or serious injury, read the following important precautions before using the hydrotherapy spa.

## READ AND FOLLOW ALL INSTRUCTIONS

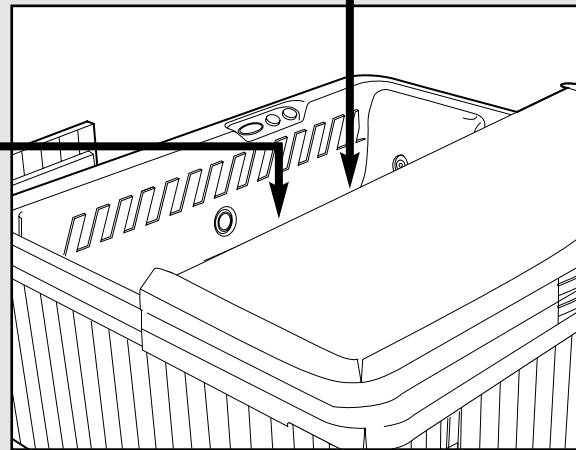
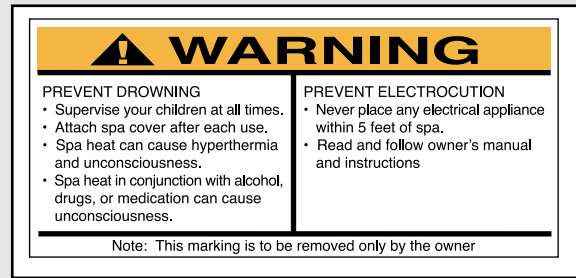
1. It is the responsibility of the owner to ensure that all users of the hydrotherapy spa are adequately informed of all precautions.
2. Use the hydrotherapy spa only as described in this manual.
3. The hydrotherapy spa is intended for home use only. Do not use the spa in a commercial, rental, or institutional setting.
4. Use the hydrotherapy spa only on a level surface. Do not use the spa on carpet or other materials that could be damaged by moisture.
5. The hydrotherapy spa will weigh approximately 3,300 pounds when it is filled with water. Make sure that the location you select for the spa will support this weight, plus the weight of the occupants.
6. Inspect and tighten all parts regularly. Replace any worn parts immediately.
7. **DANGER**—Risk of injury: Do not remove or alter the covers on the suction fittings. Never operate the hydrotherapy spa if the suction guard is missing or broken. If you need to replace a suction fitting or pump, make sure you use only manufacturer recommended replacement parts. Keep hair and body parts away from the suction guard. Do not allow long hair to float freely in the water; long hair should be restrained with a bathing cap.
8. **IMPORTANT:** Do not allow the hydrotherapy spa to be exposed to direct sunlight when it is empty. The surface of the spa shell can reach temperatures as high as 150°F in a matter of minutes if exposed to the sun while it is empty. These high temperatures can cause significant damage, such as blistering of the shell surface and warping of the spa shell. Any damage caused by sun exposure is not covered under the warranty.
9. Do not bring any object into the hydrotherapy spa that could damage the spa shell.
10. Never insert any object into any opening.
11. Do not use breakable containers in or near the hydrotherapy spa.
12. Do not sit on the spa cover or place objects on it; it is not designed to support weight.
13. Remove any water or debris that may collect on the spa cover.
14. Keep children under the age of 12 and pets away from the hydrotherapy spa when it is not in use.
15. Keep all chemicals away from children and pets.
16. The pH and chemical balance of the water must be maintained as explained in this manual (see pages 10 and 14). Failure to do so may cause injury to users or damage to the hydrotherapy spa, and will void the warranty.
17. Individuals with infections and open sores or wounds should not use the hydrotherapy spa. Bacteria thrive in warm and hot water. Always keep your spa disinfected and maintain the proper chemical balance.
18. Shower before and after using the hydrotherapy spa. This will remove any deodorant, perspiration, or body oils that could contaminate the water. Showering after will remove any residual chemicals and any bacteria that may have been in the spa.
19. **WARNING**—The Ground Fault Circuit Interrupter (GFCI), must be tested before each use. To test the GFCI, press the “test” button while the hydrotherapy spa is running. The spa should shut off. Press the “reset” button. The spa should resume normal operation. If the spa continues to run after the “test” button is pressed, then the GFCI is damaged. Do not use the spa until the GFCI has been repaired or replaced by a qualified electrician.

20. **DANGER**—Risk of electric shock. Keep all electrical appliances such as radios, telephones, televisions, and lights at least five feet away from the water.
21. A wire connector is provided on the electronics pack of the hydrotherapy spa to connect a minimum No. 6 AWG (13.3 mm<sup>2</sup>) solid copper conductor between the spa and any metal equipment, electrical enclosure made of metal, metal water pipes, or conduit within five feet of the spa.
22. **DANGER**—Risk of electric shock: Do not set the hydrotherapy spa within five feet of any metal objects or surfaces. As an alternative, you may use the spa within five feet of metal objects if each metal object is permanently connected to the wire connector on the electronics pack of the spa by a minimum No. 6 AWG (13.3 mm<sup>2</sup>) solid copper conductor (see instruction 21).
23. Do not operate the pump motor when the hydrotherapy spa is empty. The pump motor may be seriously damaged if it is operated without water circulating.
24. **DANGER**—Risk of drowning: Exercise extreme caution to prevent unauthorized and unsupervised use of the hydrotherapy spa by children. Children must always be supervised.
25. **DANGER**—To reduce the risk of drowning:
- Never use the hydrotherapy spa alone.
  - Children should not use the spa unless they are supervised by an adult.
  - Keep pets away from the spa at all times.
  - Always replace and lock the spa cover when the spa is not in use.
26. **WARNING**—To reduce the risk of injury: The water temperature should never exceed 104°F. Temperatures between 100°F and 104°F are considered to be safe for healthy adults. However, if you plan to remain in the hydrotherapy spa for more than 10 to 15 minutes, a lower temperature is recommended. Lower temperatures are also recommended for children. Children should not be allowed to swim under the surface of the water in the spa.
27. **WARNING**—To reduce the risk of injury: Before entering the hydrotherapy spa, always use an accurate thermometer to determine the water temperature.
28. **WARNING**—To reduce the risk of injury: Pregnant women should consult with their physician before using the hydrotherapy spa. Pregnant women should not use the spa if the water temperature is above 100°F; the unborn child could be seriously harmed. This is especially important during the first 90 days of the pregnancy.
29. **DANGER**—To reduce the risk of drowning: Prolonged immersion in the hydrotherapy spa may cause hyperthermia. The causes, symptoms and effects of hyperthermia may be described as follows: Hyperthermia occurs when the internal temperature of the body reaches a level several degrees above the normal body temperature of 98.6°F. The symptoms of hyperthermia include an increase in the internal temperature of the body, dizziness, lethargy, drowsiness and fainting. The effects of hyperthermia include failure to perceive heat; failure to recognize the need to exit the spa or hot tub; unawareness of impending hazard; fetal damage in pregnant women; physical inability to exit the spa or hot tub and unconsciousness resulting in danger of drowning. **WARNING:** The use of alcohol, drugs or medication can greatly increase the risk of fatal hyperthermia.
30. **WARNING**—To reduce the risk of drowning: Do not use the hydrotherapy spa if you are under the influence of alcohol or drugs. Heat from the water, in conjunction with alcohol or drugs, can cause loss of consciousness.
31. **WARNING**—To reduce the risk of injury or drowning: Consult your physician about possible side-effects of any medications you may be taking before using the hydrotherapy spa. Heat from the water, in conjunction with some medications, may cause drowsiness and increase the risk of drowning. Other medications can effect blood pressure, heart rate, and circulation.
32. Do not use the hydrotherapy spa immediately after strenuous exercise.
33. If you feel pain or dizziness at any time while using the hydrotherapy spa, discontinue use and contact a physician.
34. **WARNING**—To reduce the risk of injury: It is especially important for persons over the age of 35 or persons with pre-existing health problems, such as obesity, heart disease, high or low blood pressure, circulatory problems, or diabetes to consult their physician before using the hydrotherapy spa.

35. **WARNING:** The spa jets produce a stream of water with relatively high pressure. Prolonged exposure of a localized area of the body may cause bruises to the skin.

36. The included warning sign must be posted where all users of the hydrotherapy spa can see and read it. (See **POSTING THE WARNING SIGN** on page 2.)

37. **WARNING DECAL PLACEMENT:** Locate the decals shown below and familiarize yourself with the information on the decals.



**! WARNING:** Read all instructions before using the hydrotherapy spa. ICON assumes no responsibility for personal injury or property damage sustained by or through the use of this product.

**SAVE THESE INSTRUCTIONS**

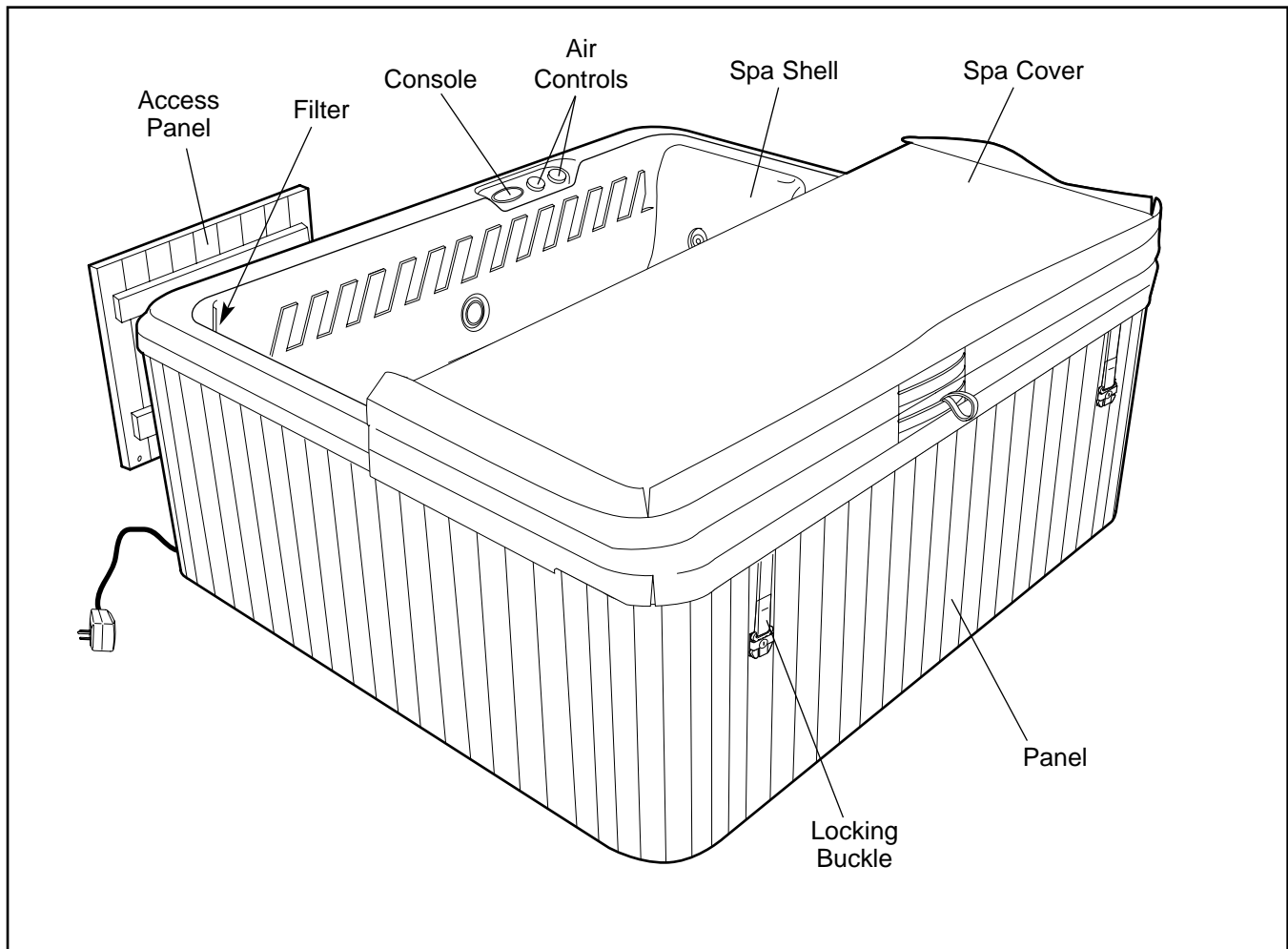
## Before You Begin

Congratulations for selecting the new PROFORM® ORBIT hydrotherapy spa. The innovative ORBIT spa allows you to enjoy all the benefits of hydrotherapy in the comfort and privacy of your home.

Hydrotherapy is a proven method for soothing tired muscles after exercise or for relieving the stress of a busy life. The warm environment stimulates blood flow, which is essential in the healing process, and the powerful massage action further eases tension and stress throughout the body. The PROFORM ORBIT spa gives you the specialized treatment you need to feel your best.

**For your benefit, read this manual carefully before using the PROFORM ORBIT spa.** If you have questions after reading the manual, please call our Customer Service Department toll-free at 1-877-897-7493, Monday through Friday, 8 a.m. until 5 p.m. Central Time (excluding holidays). To help us assist you, please mention the product model number and serial number when calling. The model number is PFSG51030. The serial number can be found on a decal on the access panel inside the spa (see the front cover of this manual).

Before reading further, please familiarize yourself with the parts that are labeled in the drawing below.



# Choosing a Location for the Hydrotherapy Spa

There are many factors to consider when choosing a location to set up the hydrotherapy spa. These factors vary depending on whether you plan to use the spa inside or outside. We have listed several factors you may wish to consider as you decide where to set up the spa.

## If you set up the hydrotherapy spa inside:

1. The spa will increase the level of humidity in your home. The location you choose should be well ventilated. You may need to install a ventilation fan or use a dehumidifier.
2. The location must be close to an electrical outlet. **Do not use an extension cord with the hydrotherapy spa. Note: If the spa is to be permanently wired, the spa should be located near a power source capable of supplying 240 volts AC power. It must be wired directly into a grounded circuit with a Ground Fault Circuit Interrupter (GFCI) capable of carrying 40 amps. No other appliance should be on the same circuit.**
3. The spa should be close to a source of water.
4. Do not use the spa on carpet or other material that may be damaged by moisture. We recommend that you place the spa on a water- and stain-resistant, non-slip surface with a floor drain for any water that may splash from the spa.
5. Make sure that the location you choose is stable. It must be able to support the weight of the spa when it is filled with water, plus the weight of the occupants. The spa weighs approximately 3,300 pounds when it is filled with water.
6. Do not use the spa above a finished living area, due to the risk of water damage.
7. Make sure that there is room around the spa to permit servicing of the unit. The dimensions of the spa are 77" W x 74" L x 34" H. You should allow for this size when choosing the location.
8. The spa is not designed for in-floor installation. However, it is compatible with a deck system that is built flush with the top of the spa, provided you leave access to the motor for service.
9. Make sure to note any other considerations, such as aesthetics or privacy concerns, that may affect the safety or enjoyment of using the spa.

## If you set up the hydrotherapy spa outside:

1. Check local building codes concerning the use of outdoor spas.
2. The location must be close to an electrical outlet. **Do not use an extension cord with the hydrotherapy spa. Note: If the spa is to be permanently wired, the spa should be located near a power source capable of supplying 240 volts AC power. It must be wired directly into a grounded circuit with a Ground Fault Circuit Interrupter (GFCI) capable of carrying 40 amps. No other appliance should be on the same circuit.**
3. The spa should be close to a source of water.
4. We recommend that you place the spa on a water- and stain-resistant, non-slip surface. Do not use the spa on rough or sharp surfaces such as gravel or wood chips.
5. Make sure that the location you choose is stable. It must be able to support the weight of the spa when it is filled with water, plus the weight of the occupants. The spa weighs approximately 3,300 pounds when it is filled with water.
6. Consider environmental factors such as rain, wind, shade, and sunlight.
7. You should be able to monitor the use of the spa from your home, to prevent unauthorized use by children. You may want to enclose the spa with a fence and self-latching gate to prevent unauthorized use.
8. Make sure that there is room around the spa to permit servicing of the unit. The dimensions of the spa are 77" W x 74" L x 34" H. You should allow for this size when choosing the location.
9. The spa is not designed to be installed below ground level. However, it is compatible with a deck system that is built flush with the top of the spa, provided you leave access to the motor for service.
10. Make sure to note any other considerations, such as aesthetics or privacy concerns, that may affect the safety or enjoyment of using the spa.

# Assembly

**Before beginning assembly, carefully read the following information and instructions:**

- Place all parts in a cleared area and remove the packing materials from the spa shell. Do not dispose of the packing materials until assembly is completed and the spa is operating.
- During assembly, make sure that all parts are oriented as shown in the drawings.
- Read each assembly step before you begin.
- Tighten all parts as you assemble them, unless instructed to do otherwise.

**ASSEMBLY REQUIRES THE FOLLOWING TOOLS (not included):**

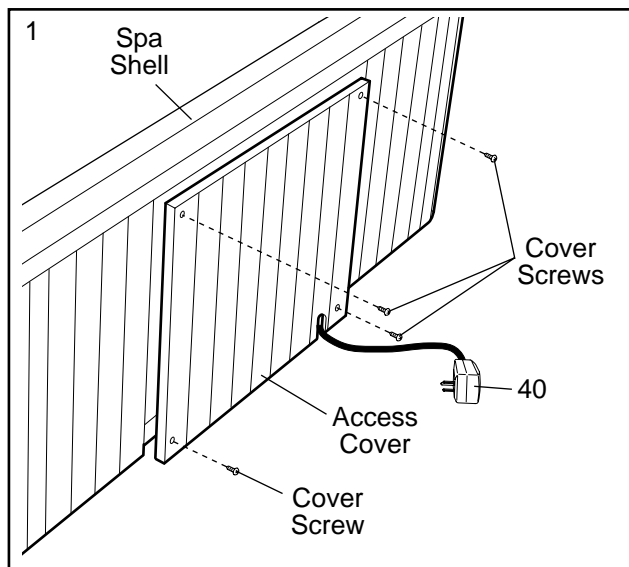
- One phillips screwdriver 

**A wire connector is provided on the electronics pack of the spa to connect a minimum No. 6 AWG (13.3 mm<sup>2</sup>) solid copper conductor between the spa and any metal equipment, electrical enclosure made of metal, metal water pipes, or conduit within five feet of the spa.**

1. **Before beginning assembly, make sure that you have read and understand the information on the previous two pages.**

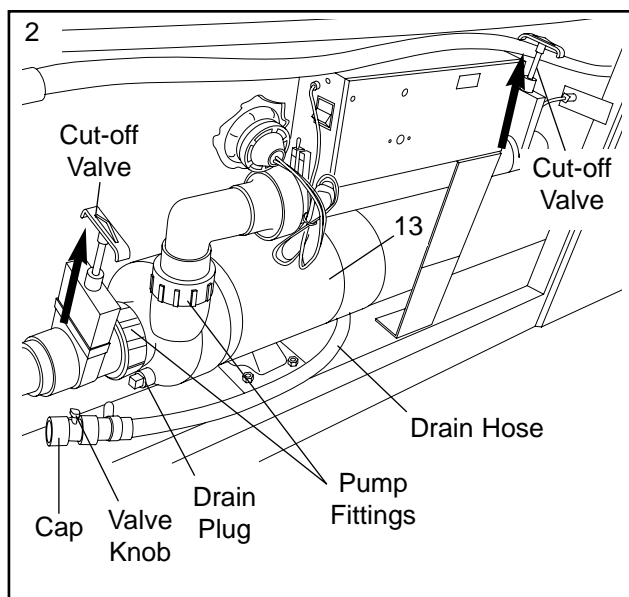
Remove the four cover screws from the access cover. Remove the access cover from the Spa by sliding the access cover down and pulling the bottom of the access cover away from the Spa Unit. **Be careful not to damage the spa shell.**

Remove the power cord with the GFCI (40) from inside the spa.



2. Locate and check the position of the two cut-off valves. The cut-off valves must be open for proper spa operation. To open a valve, hold the handle and turn it until you can pull it out to the open position. Open the other valve in the same manner. **Important: Occasionally the valves will be closed at the factory during manufacturing. The motor will be damaged if it is operated with the cut-off valves closed.**

Close the valve knob on the drain hose. Thread the cap onto the drain hose. Thread the drain plug into the Pump Motor (13). Tighten the pump fittings.





- Wipe out the spa shell using a damp cloth. Remove the two warning decals (not shown) from the spa shell. Before you fill the spa, make sure that it is in the position you want and that it can be easily serviced if needed. Once the spa is filled with water, it must be drained to be moved.

See the inset drawing. Locate the Filter Door (24). Grasp the indicated handle and open the Filter Door in the direction shown. Insert a garden hose or other clean water source into the opening and fill the spa. **Do not use soft water.** The spa may be filled with cold water; however, if warm or hot water is used, the spa will be ready for use sooner. Fill the spa to the indicated location. **Do not overfill the spa.**

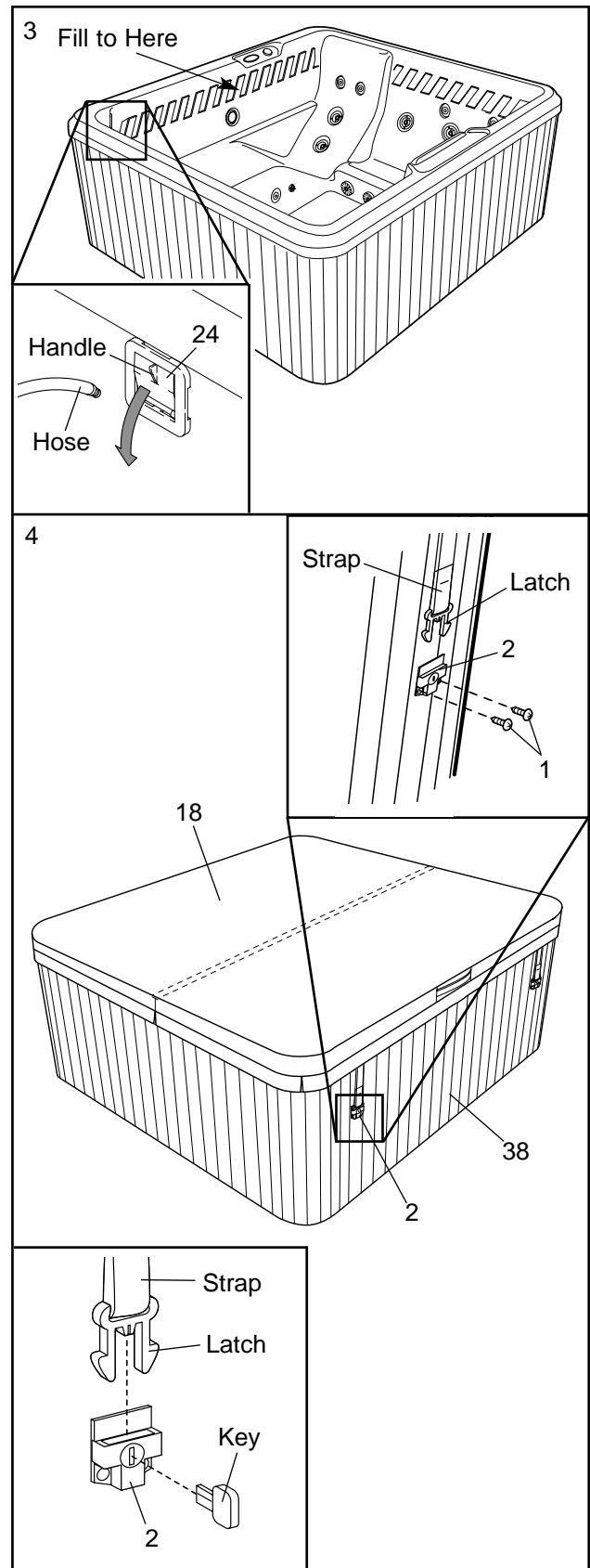
- Place the Spa Cover (18) over the spa. **Make sure that the Spa Cover is properly centered.**

Snap a Buckle (2) onto each of the four latches on the Spa Cover (18).

See the inset drawing. Position one of the Buckles (2) on one of the Long Panels (38), and hold the Buckle in place so that the strap on the Spa Cover (18) is tight. (Note: It may be easier to position the Buckles if a second person holds the strap on the opposite side of the Spa Cover tight.) **The Spa Cover must be tight. Do not place the Buckle over one of the grooves in the wood panels.** Remove the latch from the Buckle. Attach the Buckle to the side of the spa with two Buckle Screws (1). **Note: It may be helpful to use a drill with a 1/16" bit to make starter holes in the wood panels. You may also want to apply a little soap or wax to the screw threads.**

Attach the other three Buckles (2) to the remaining panels in the same manner.

To secure the Spa Cover (18), snap the latches on the Spa Cover into the Buckles (2) on the panels. To lock each Buckle, insert the key and turn it clockwise 1/4 turn. To unlock each Buckle, insert the key and turn it counterclockwise 1/4 turn. **Always keep the Buckles locked when the spa is not in use. Keep the keys in a safe place, out of the reach of children.**



# Using the Hydrotherapy Spa

The hydrotherapy spa is designed to seat two adults. The spa holds approximately 200 gallons of water and offers a heating system (80°F to 104°F), a filtration system, and adjustable hydrotherapy jets. Follow the guidelines below to use and maintain the spa for your long-term enjoyment.

## PLUGGING IN THE HYDROTHERAPY SPA

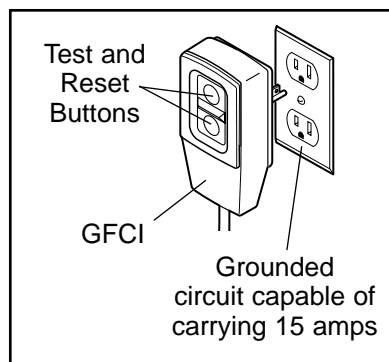
Important: The hydrotherapy spa is equipped with a 120/240 volt convertible electronics package. Operation at 240 volts will allow the heater to run more efficiently and less often. **Conversion of the spa to 240 volt operation must be performed only by a qualified, licensed electrician and must comply with all local, state, and federal electrical codes.** Please refer to the instructions on the inside of the electronics package for information about converting the spa to 240 volt operation. **Note: the spa must be wired directly into a grounded circuit with a Ground Fault Circuit Interrupter (GFCI) capable of carrying 40 amps. No other appliance should be on the same circuit.**

Once the hydrotherapy spa is filled with water, the power cord can be plugged in and the spa can be turned on. Note: The first time the power cord is plugged in, the spa will turn on automatically.

When connecting the power cord, plug the power cord directly into a grounded circuit capable of carrying 15 amps. No other appliance should be on the same circuit. Replace the power cord immediately if it becomes damaged.

There is a Ground Fault Circuit Interrupter (GFCI) on the end of the power cord. Always test the GFCI before using the hydrotherapy spa.

First, turn on the spa by pressing the jet control on the console (see USING THE CONTROLS on page 12). Once the unit is running, press the GFCI "test" button. The spa should shut off. Press the "reset" button. The spa should resume normal operation. If the spa continues to run after the "test" button is pressed, the GFCI is damaged.



Do not use the spa until the GFCI has been repaired or replaced by a qualified electrician.

## TESTING AND TREATING THE WATER

The first time you use the spa, you should test and treat the water. **You must also treat the water each time you refill the spa.** A test strip and a chemical pack are available at your local pool and spa store. Follow the directions carefully on the chemical pack to test and treat the water. **Always keep the chemicals away from children and pets.**

See WATER CHEMISTRY on page 13 for information concerning proper water maintenance.

## STARTING THE HYDROTHERAPY SPA

You should always test the GFCI before using the hydrotherapy spa. First, turn on the spa by pressing the jet button on the console (see USING THE CONTROLS on page 12). Once the spa is running, press the GFCI "test" button. The spa should shut off. Press the "reset" button. The spa should resume normal operation. If the spa continues to run after the "test" button is pressed, the GFCI is damaged. Do not use the spa until the GFCI has been repaired or replaced by a qualified electrician.

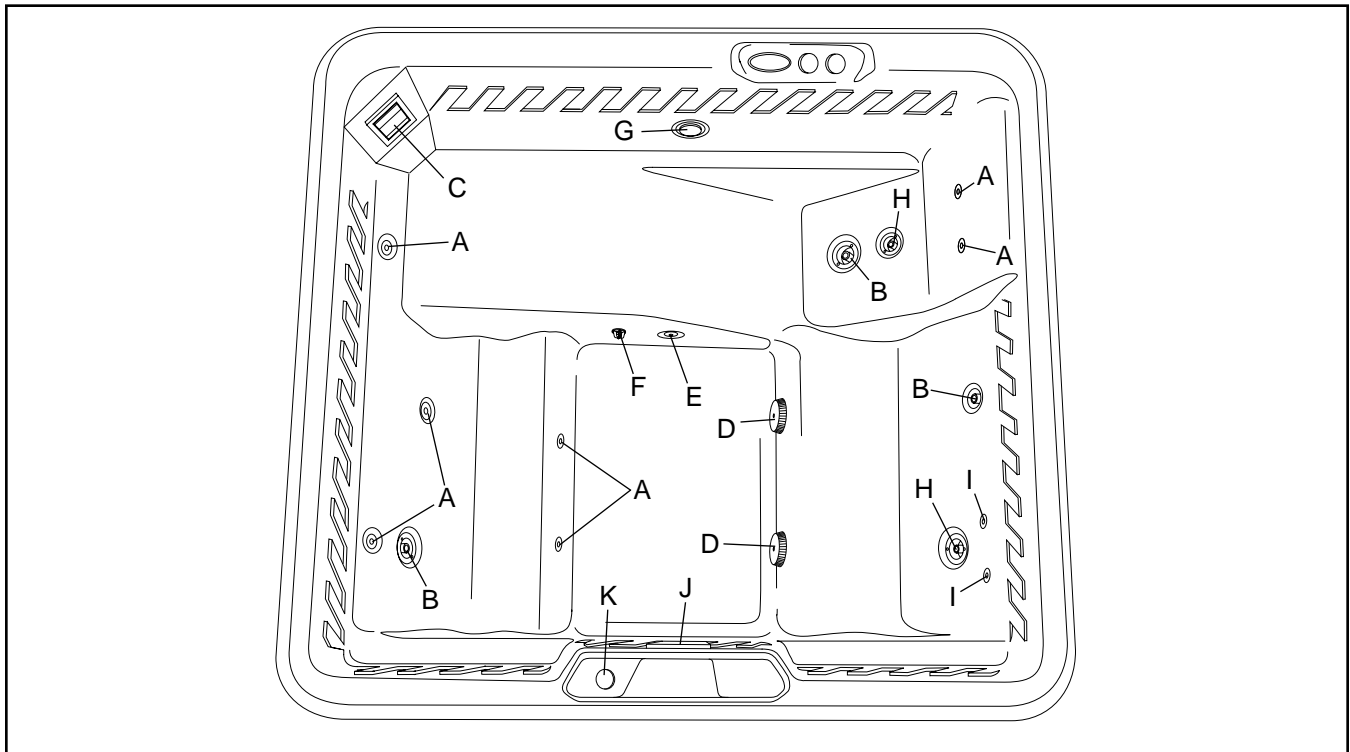
Once you have tested the GFCI, you should verify the water flow from the pumping unit. Set the air control on the console to the lowest setting (see USING THE CONTROLS on page 12). The pumping unit will heat the water as it pumps. Cover the hydrotherapy spa with the spa cover. **The spa cover must be tight** (see SECURING THE SPA COVER ON THE SPA on this page). The water will heat at about 6°F per hour with the cover on. If you are using the spa indoors, and the room temperature is maintained at 70°F, it will take approximately 6 to 8 hours for the water to reach the set temperature.

The temperature and the water flow can be set or changed with the controls on the console (see USING THE CONTROLS on page 12).

## SECURING THE SPA COVER ON THE SPA

To secure the spa cover, see assembly step 4 on page 9. **Always keep the buckles locked when the spa is not in use. Keep the keys in a safe place, out of the reach of children.**

# Spa Shell Diagram



## SPA OPERATION

Refer to the diagram above. The function of each component is explained below:

The **seven uni-directional jets (A)** are located on both sides of the spa. Three jets focus a water massage on your upper back, and the remaining jets provide a foot massage.

The **three Pulsating jets (B)** can be adjusted for a custom hydro-massage. To turn the jets off and on, push or pull the centers of the jets. Note: One of the jets is located on the reclining seat and focuses a water massage on your lower back. Another jet is located on one of the bench seats, below a uni-directional jet, and focuses a water massage on your lower or middle back. The remaining jet, located on the other bench seat, focuses a water massage on your upper or lower back.

The **filter (C)** can be removed for replacement and cleaning (see page 16).

The **suction vents (D)**, located near the floor of the spa, bring the water into the pump, in order to operate the system. The suction covers should always be in place over the suction vents. **Never operate the spa without the suction covers in place.**

This spa is ozone ready. An optional ozone generator can be installed to utilize the **ozone jet (E)**. Ozone provides a way to help sanitize your spa with minimal chemical treatment.

The **temperature probe (F)** reads the water temperature, which is displayed on the console.

The spa features automatic freeze protection. If the water temperature falls below 40°F, the pump will begin circulating and heating the water to prevent the water from freezing.

The spa has a **light (G)** for evening use.

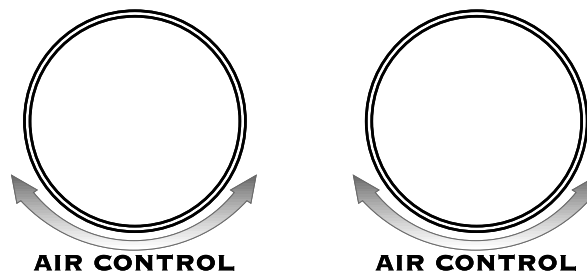
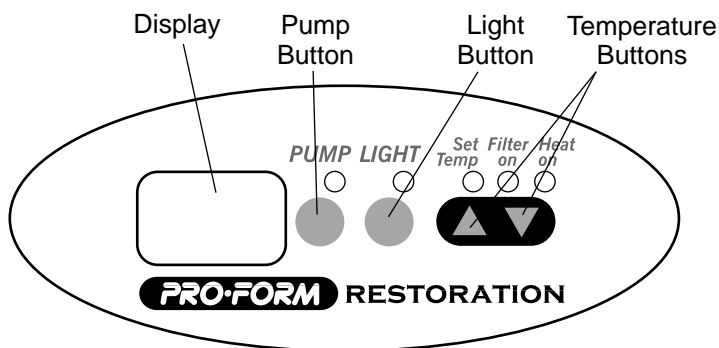
The **two adjustable swirl jets (H)** provide rotary massage. One of the jets is located on the reclining seat that focuses a water massage to the middle of your back. The other jet is located on one of the bench seats.

The **two small adjustable swirl jets (I)** focus a water massage to the shoulders.

The **waterfall (J)** provides a soothing sound and massage.

The **waterfall valve (K)** turns the waterfall off and on.

# Using the Controls



Refer to the diagram above. The function of each control is explained below:

**Pump Button:** Turns the spa jets on and off. If the button is pressed once, the spa jets will run at low speed, providing gentle hydrotherapy. If the button is pressed again, the jets will run at high speed, providing more intense hydrotherapy. If the button is pressed a third time, the jets will shut off.

The spa also features an automatic mode that heats and filters the water when the spa is left unattended. When the spa is first plugged in, or if the buttons on the console have not been pressed for longer than twenty minutes, the automatic mode will begin filtering or heating the water as needed. **Note: To keep the filter and heat cycles from running, the power cord must be unplugged.**

**Light Button:** Turns the underwater light on and off.

**Temperature Buttons:** Control the temperature setting of the water. The temperature can be set from 80°F to 104°F. The water heats at about 1.8°F per hour with the cover on. Use a medical or other accurate thermometer to check the temperature of the water. Note: The word "COOL" will appear in the console display if the temperature of the water is more than 20°F cooler than the set temperature. When this happens, the

heater will automatically activate to warm the water. The word "ICE" will appear in the display if the temperature drops below 40°F. If this happens, the pump will automatically circulate the water and warm the plumbing to keep the water from freezing.

The temperature buttons can also be used to change the filter cycle time. First, press either of the temperature buttons. While the console display is flashing, press the jet button. The letters "FC" should appear in the display. Next, press the temperature buttons to select a 2-, 4-, or 6-hour filter cycle time. Then, press the jet button again. If the filter cycle time is not changed, it will default to 2 hours.

**Air Controls:** Determine the amount of air flowing through the hydrotherapy jets during operation. If a control is turned counterclockwise, the amount of air flowing through the jets will increase. If the control is turned clockwise, the amount of air will decrease.

# Maintenance

The hydrotherapy spa is designed to provide years of enjoyment. Please follow the guidelines below to properly maintain your spa.

## MAINTENANCE SCHEDULE

### Daily

- Check the water level and refill the spa to the level shown in step 3 on page 9.
- Check the pH balance and sanitizer level. Adjust if necessary (see WATER CHEMISTRY on this page).

### Weekly

- Clean the spa shell at the waterline.
- Check and thoroughly clean the filter (see CLEANING THE FILTER on page 16).
- Replace the filter if needed (see ORDERING REPLACEMENT PARTS on the back cover of this manual).

### Monthly

- Clean the spa cover (see MAINTAINING THE SPA COVER on this page).
- Soak the filter for two hours in a trisodium phosphate (TSP) solution. Rinse the filter in clean water.
- Replace the filter if needed (see ORDERING REPLACEMENT PARTS on the back cover of this manual).

### Every Three Months

- Drain the spa and refill it with clean water. Sanitize and test the pH of the water.
- Check for any leaks around the pump or the joints in the pipes. The seals will wear out over time; detecting leaks early can reduce repair costs.
- Clean the interior of the spa. Do not use solvents or waxes.

## MAINTAINING THE SPA EXTERIOR

The surround is maintenance-free. The surround should be cleaned with a mild soap solution; do not use solvents or waxes.

## CLEANING THE SPA SHELL

The spa shell should be cleaned with a mild soap solution; do not use solvents or waxes. The spa should always be clean and dry before being moved or stored.

## MAINTAINING THE SPA COVER

The spa cover should be cleaned monthly. To clean the spa cover, use water and a non-abrasive cleaner on the entire cover. Rinse the cover with a garden hose to remove any cleaner residue. Dry the cover entirely. Use a non-silicone-based vinyl conditioner on the cover after you clean it. This will help protect the cover from sun damage.

## WATER CHEMISTRY

Maintaining the pH level of the water is very important to the operation of the spa. To maintain the proper pH level and to sanitize the spa, you can purchase a chemical starter kit from your local pool and spa supply store.

**CAUTION: The chemicals used to maintain the pH balance of the water and to sanitize the water can be dangerous. Always follow these basic guidelines when handling the chemicals:**

1. Always read and follow the directions on the label, unless directed otherwise.
2. Never mix different chemicals.
3. Do not exceed the recommended amounts of chemicals—follow the directions on the label.
4. Keep all chemicals out of the reach of children and pets.
5. Keep all containers closed tightly when not in use.
6. Never add water to the chemicals—always add the chemicals to the water as directed.
7. Always store chemicals in a cool, dry place.

## MAINTAINING THE PROPER PH BALANCE

The pH factor is a measure of the relative acidity or alkalinity in the water, and is measured on a scale of 1 to 14. Pure water has a value of 7, which is neutral. Any value above 7 is alkaline, and any value below 7 is acidic. You should maintain a slightly alkaline pH level, between 7.2 and 7.8, in the hydrotherapy spa.

Severe problems can occur when the pH balance is not maintained within this range. If the pH level exceeds 7.8, dissolved minerals can build up and clog the plumbing in the spa jet unit. If the pH level falls below 7.2, the acid level in the water will begin to corrode the metal parts in the spa jet unit. Also, the sanitation agents in the water will not be effective if the pH level is not properly maintained. Damage caused by improper pH levels is not covered under the warranty.

To maintain the proper pH level, test the pH of the water regularly. To test the water, purchase a pH test kit at a pool and spa supply store. The pH reading should be between 7.2 and 7.8. If the level is too low, add a pH increaser (usually soda ash). If the level is too high, add a pH reducer (usually sodium bisulfate). Test the water again after five minutes. See the instructions with your pH test kit for additional information about testing and adjusting the pH.

### SANITIZING THE HYDROTHERAPY SPA

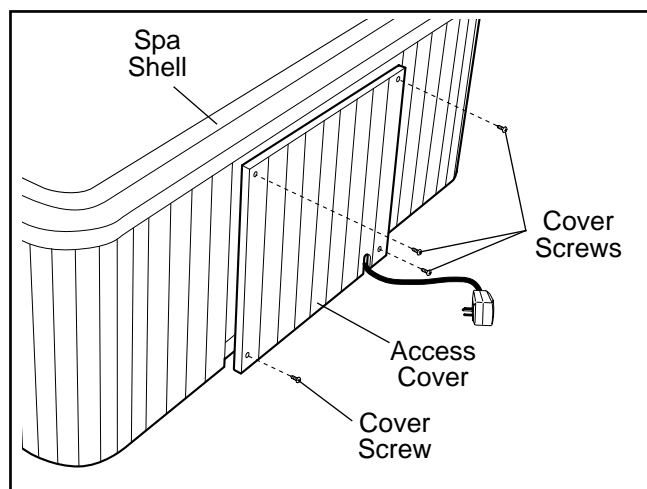
The most common sanitizing agent is a solid bromine concentrate. The amount required varies according to several factors, such as user load, temperature, and water conditions. Proper water maintenance is a complex process. Contact your local pool and spa supplier for information concerning which chemicals you should use in your area to sanitize the spa.

### CHANGING THE FILTER CYCLE

The spa will filter the water every 12 hours. The duration of the cycle can be adjusted to last 2 to 5 hours. Press the temperature up or temperature down button on the console. When the display begins to flash, press the pump button. The display will read F2. To change the time, press the temperature up button until the desired time is reached. Press the pump button to confirm the selection. As spa usage increases, the duration of the filter cycle may need to be increased.

### ATTACHING AND REMOVING THE ACCESS PANEL

Turn off the spa power. To remove the indicated access panel, remove the four cover screws that secure the access panel to the spa. Carefully remove the access panel and set it aside.



To replace the access panel, hold the access panel in place and secure it with the cover screws. **Be careful not to overtighten the screws.**

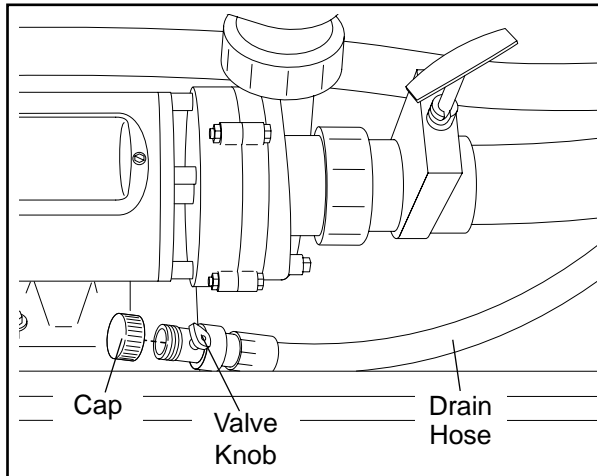
### DRAINING THE HYDROTHERAPY SPA

The hydrotherapy spa should be drained at least four times per year and refilled with clean water. You may need to drain the spa more often, depending on the user load. This must be done because after repeated chemical treatment the water becomes chemically saturated. Once this happens, additional chemical treatment of the water is no longer effective. The spa should also be drained if you will not be using it for long periods of time. The spa must always be drained before major repairs are made.

**The hydrotherapy spa should always be covered when it is empty. Direct sunlight can cause extensive damage. The surface of the spa shell can reach temperatures as high as 150°F in a matter of minutes if exposed to the sun while it is empty. These high temperatures can cause significant damage, such as blistering of the shell surface and warping of the spa shell. Any damage caused by sun exposure is not covered under warranty.**

To drain the hydrotherapy spa, follow the steps below:

1. Using the console, adjust the temperature to the lowest setting.
2. Shut off the power to the spa, at the circuit breaker or GFCI.
3. Remove the access panel from the spa (see ATTACHING AND REMOVING THE ACCESS PANEL on page 14).
4. Pull the hose out and hold it above the waterline. Remove the cap, open the valve knob, and attach a garden hose to the drain hose. Lower the hose and drain the spa.

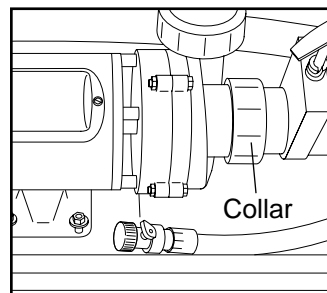


5. When the spa is empty, remove the garden hose, close the valve knob, re-attach the cap, and return the drain hose inside the spa.
6. Re-attach the access panel.
7. Refill the spa and treat the water with chemicals (see pages 10 and 13).

### DRAINING THE PUMP

After the hydrotherapy spa is drained, the jet pump should also be drained if the spa will be stored for more than thirty days or if it may be exposed to freezing temperatures.

Turn off the power to the spa. To drain the jet pump, remove the access panel from the spa unit (see ATTACHING AND REMOVING THE ACCESS PANEL on page 14). Locate the jet pump inside the spa. Loosen the indicated collar on the pump.



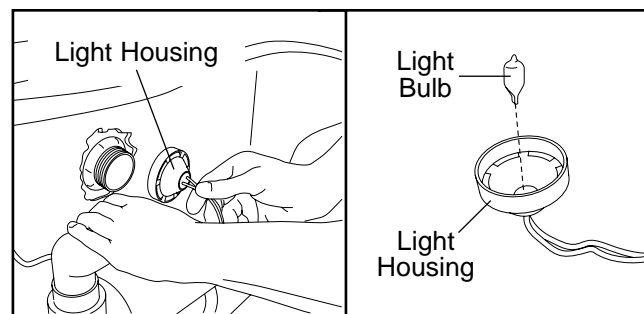
### WINTER USE AND CARE

The hydrotherapy spa is designed for year-round use. If you decide to store the spa for the winter, store it in a warm, dry location. Follow the steps below to winterize the spa.

1. Make sure the power to the spa is turned off.
2. Drain the spa (see DRAINING THE HYDROTHERAPY SPA on the previous page and this page).
3. Remove all remaining water from the spa shell. Dry the spa shell with towels.
4. Set the air controls to the lowest setting. Use a wet/dry vacuum to pull any remaining water from the system. To do this, place the vacuum nozzle over each jet, starting with the highest jet and finishing with the lowest jet.
5. Set the air controls to the highest setting and repeat step 4.
6. Drain the pump (see DRAINING THE PUMP on this page). Once the water is drained from the pump, place the vacuum nozzle over the drainage hole in the pump and vacuum any additional water from the pump. **Note: For additional protection, remove the pump from the spa and store it in a climate-controlled room.**
7. Clean the spa shell (see page 13).
8. Clean the filter (see page 16).
9. Shut the power off at the breaker. **Label the breaker in such a way that the breaker will not be turned on accidentally.**
10. Re-attach the access panel and the spa cover.

### REPLACING THE LIGHT BULB

If the underwater light burns out, you will need to remove the access panel to replace it (see ATTACHING AND REMOVING THE ACCESS PANEL on page 14). Make sure the spa power is turned off. Next, locate the light housing. Turn the light housing counterclockwise and remove it from the spa shell.



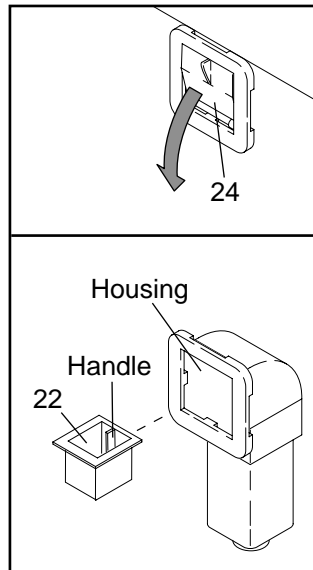
To replace the light bulb, pull the old light bulb out of the housing and insert a new light bulb. Re-attach the light housing to the spa shell. Re-attach the access panel to the spa.

## CLEANING THE FILTER

The filter should be checked periodically for build-up of dirt and oil. To check or clean the filter, follow the steps below.

### Cleaning the Basket:

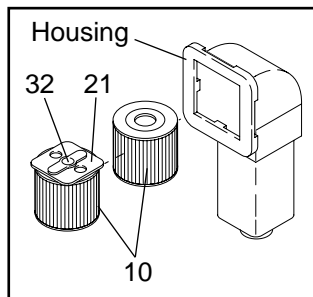
1. Turn off the power.
2. Pull the Filter Door (24) towards you until it is fully open.
3. Reach into the Basket (22) with four fingers and pull the Basket towards you until it snaps free.
4. Lift the Basket out of the housing by pulling on the handle on the far side and turning the Basket towards you.
5. Clean the Basket by spraying it with a garden hose or holding it under a faucet.
6. Put the Basket back into the housing and press down until it snaps into place.
7. Close the Filter Door.



**Avoid hitting the Basket against objects to clean it, since this may break the basket.**

### Cleaning the Filter Cartridges:

1. Follow steps one through four above to remove the Basket.
2. Reach into the housing and turn the Diverter Valve (21) until it is fully open.
3. Stick two fingers into



the holes in the Diverter (21) and lift the Diverter and the top Filter Cartridge (10) directly upwards until the edge of the Diverter clears the housing. Then turn the Diverter towards you and pull it out. In this process, the Diverter may come out of the Filter Cartridge. If this happens, reach into the housing and lift the Filter Cartridge out.

4. Remove the lower Filter Cartridge (10).
5. Clean the Filter Cartridges with a garden hose or under a faucet. Spray from the top to the bottom of each pleat. **To avoid damage to the Cartridges, do not use a brush to clean them.**
6. To remove body oils or sun tan lotions, soak the Cartridges in a cleaning solution which can be obtained from a pool and spa supply store.
7. Inspect the Filter Cartridges for damage. Replace the Cartridge if there is any sign of damage.
8. Put one Filter Cartridge back in the filter housing.
9. Push the tube on the Diverter into the other Filter Cartridge as far as it will go. Place the top Filter Cartridge back in the housing.
10. Put the Basket back into the housing and press down until it snaps into place. Close the Filter Door.

## ADJUSTING THE DIVERTER

The diverter regulates the flow of water to the filter in order to make the pump run smoothly. Start by leaving the valve wide open. If the pump runs smoothly, no further adjustment will be necessary.

If the pump begins to cavitate (if you hear a cracking sound or if the speed of the pump surges up and down), turn the valve slightly to reduce water flow. Keep adjusting the valve in small increments until the pump runs smoothly.

## Troubleshooting

**Most problems can be solved by following the simple steps below. Find the symptom that applies, and follow the steps listed. If further assistance is needed, call our Customer Service Department toll-free at 1-877-897-7493, Monday through Friday, 8 a.m. until 5 p.m. Central Time.**

### 1. SYMPTOM: THE SPA WILL NOT OPERATE

- a. Check to see if the GFCI breaker is tripped or was not turned on. Reset the GFCI breaker.

### 2. SYMPTOM: THE CIRCUIT BREAKER OR THE GFCI TRIPS WHILE THE SPA IS OPERATING

- a. Reset the circuit breaker or the GFCI. If the circuit breaker or the GFCI trips again, contact a qualified electrician for service.



**3. SYMPTOM: THE PUMP HUMS**

- a. The filter may be dirty or damaged. Remove the filter from the filter housing and clean or replace the filter (see page 16).
- b. The pump may have a foreign object stuck in the impeller. Contact our customer service department.
- c. The pump may have a loose wire connection. Contact our customer service department.

**4. SYMPTOM: THE PUMP HUMS, BUT DOES NOT ROTATE**

- a. The pump may be jammed. Contact our customer service department. If your spa is no longer under warranty, contact a local spa and pool service provider.

**5. SYMPTOM: THE PUMP IS NOISY WHILE OPERATING**

- a. There may be debris in the pump. Contact our customer service department.
- b. The pump may have a bad bearing. Contact our customer service department.

**6. SYMPTOM: THE WATER DOES NOT HEAT**

- a. Make sure that the hydrotherapy spa is fully covered with the spa cover. **The spa cover must be tight for the water to heat.** Set the air control to low. The water will heat at a rate of 6°F per hour. If you are using the spa indoors and the room temperature is maintained at 70°F, it will take approximately 6 to 8 hours for the water to reach the set temperature.
- b. If you are using the hydrotherapy spa outdoors, it may take longer for the water to heat. See the chart below for the approximate heating time.

<u>Air Temperature</u>	<u>Heating Time</u>
70°F +	6 to 8 hours
50°F to 70°F	9 to 11 hours
30°F to 50°F	12 to 14 hours

If the water still has not heated after four days, contact our customer service department.

**7. SYMPTOM: THE WATER IS NOT BEING CLEANED BY THE FILTER**

- a. Check to see if the filter cartridges are in place. Clean the cartridges if they are dirty.
- b. Check the chemical balance of the water. If the pH is incorrect, the sanitizing agents will not function properly. See the section on maintaining the proper pH balance on page 13.

**8. SYMPTOM: THE WATER PULSATES OR THERE IS MINIMUM WATER FLOW**

- a. This usually occurs only when the water level is low. Add water until it is 2 to 4" above the Basket.

**9. SYMPTOM: THE WATER LEVEL DROPS**

- a. A clamp or seal inside the pump compartment may be loose. Check inside the pump compartment for excess water and watch the pump unit while it is operating to see if water drips from any of the plumbing. If you can identify the location of the leak inside the spa jet unit, tighten the clamp or replace the damaged seal.
- b. Some water loss due to evaporation is normal. If rapid water loss occurs, or if you notice wetness on the floor around the hydrotherapy spa, the spa shell may have a leak. Contact your local pool and spa service provider for repairs.

**10. SYMPTOM: THE SPA JET UNIT CONTINUES TO RUN AFTER IT HAS BEEN SHUT OFF**

- a. To turn the main jets off, press the pump button once or twice. Note: If the actual spa water temperature is below the set temperature, or if the spa is running a filter cycle, the heater pump/motor will not shut off.

Key No.	Qty.	Description	Key No.	Qty.	Description
1	8	Buckle Screw	28	1	O-ring
2	4	Buckle	29	1	Drain Plug
3	4	Corner Panel	30	6	Small Directional Jet
4	8	1/4" Washer	31	2	Short Panel
5	4	Rubber Insulator	32	1	Diverter Valve
6	1	Blue Lens	33	1	Trim Plate
7	1	Waterfall Knob	34	1	Filter Door Foam
8	2	2" O-ring	35	36	#10 x 2" Panel Screw
9	2	Removable Collar	36	1	Filter Housing*
10	2	Filter Cartridge	37	1	Console With Overlay
11	2	Hinge Pin	38	1	Console Overlay
12	8	*10 x 1" Screw	39	1	Motor Pad
13	1	Pump Motor*	40	1	Power Cord
14	1	Control Unit*	#	2	Key
15	2	Long Panel	#	1	User's Manual
16	2	Heater Gasket	#	1	Light Bulb
17	2	Air Control Knob	#	2	Ground Wire
18	1	Spa Cover	#	1	Warning Sign
19	1	Red Lens	#	1	Warning Sign, Drowning
20	2	Suction Cover Assembly			
21	1	Diverter			
22	1	Basket			
23	10	#8 x 1 1/2" Screw			
24	1	Filter Door			
25	3	Adjustable Pulsating Jet			
26	3	Adjustable Swirl Jet			
27	2	Small Adjustable Rotary Jet			

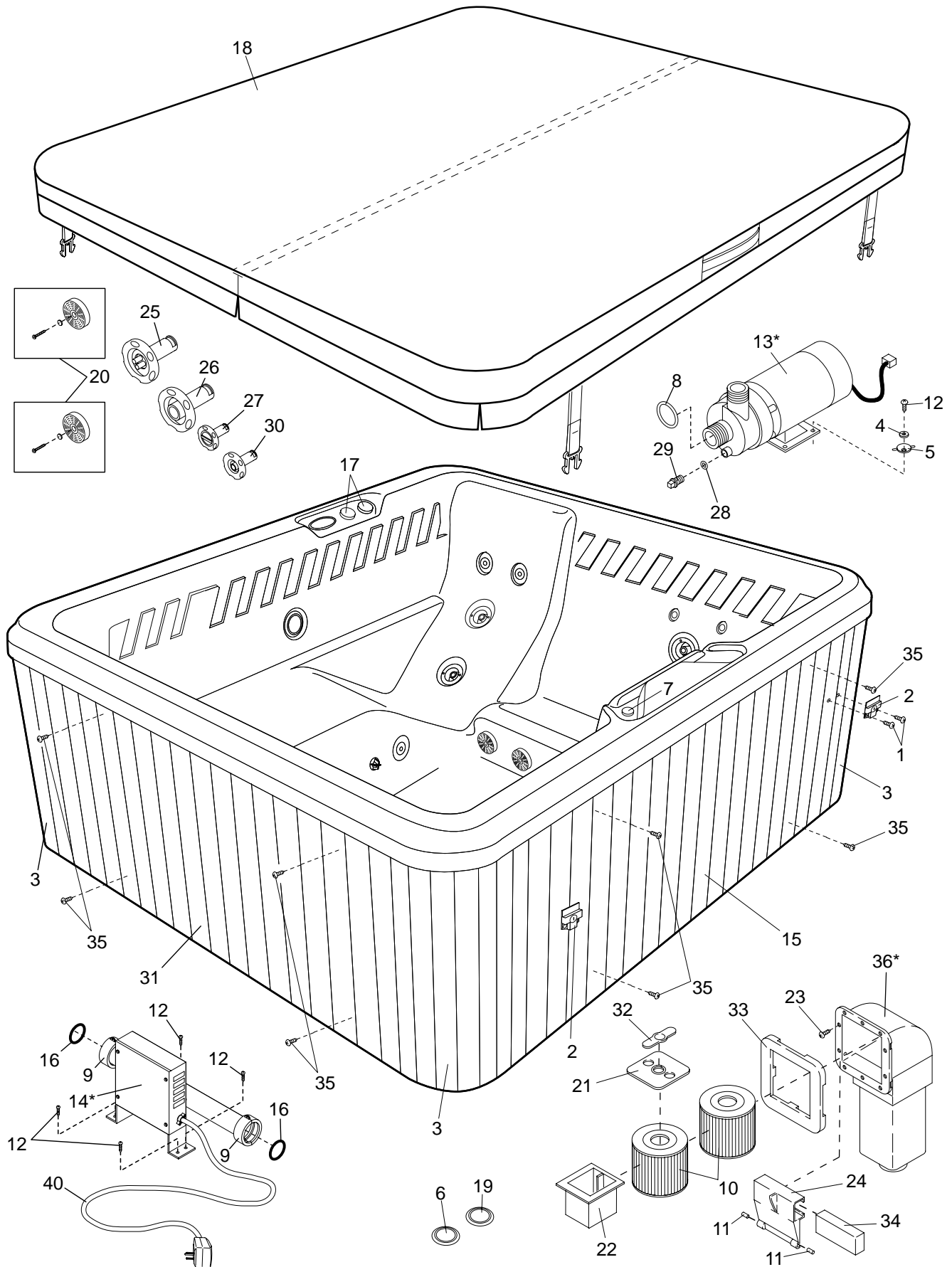
\* Indicates a part that is serviceable only by service technicians.

# Indicates a non-illustrated part.

Specifications are subject to change without notice.

# Exploded Drawing—Model No. PFSG51030

R0203A



## Ordering Replacement Parts

To order replacement parts, simply call our Customer Service Department toll-free at 1-877-897-7493, Monday through Friday, 8 a.m. until 5 p.m. Central Time (excluding holidays). To help us assist you, please be prepared to give the following information when calling:

- The MODEL NUMBER of the product (PFSG51030)
- The NAME of the product (PROFORM ORBIT hydrotherapy spa)
- The SERIAL NUMBER of the product (see the front cover of this manual)
- The KEY NUMBER and DESCRIPTION of the desired part(s) (see the PART LIST and EXPLODED DRAWING on pages 18 and 19)

## Limited Warranty

ICON Health & Fitness, Inc. (ICON), warrants this product to be free from defects in workmanship and material, under normal use and service conditions, for a period of ninety (90) days from the date of purchase. ICON extends a limited five (5) year warranty on the spa shell structure. ICON extends a limited two (2) year warranty on the pump, motor, and electronics package. This warranty extends only to the original purchaser. ICON's obligation under this warranty is limited to replacing or repairing, at ICON's option, the product through one of its authorized service centers. All repairs for which warranty claims are made must be pre-authorized by ICON. This warranty does not extend to any product or damage to a product caused by or attributable to freight damage, abuse, misuse, improper or abnormal usage, or repairs not provided by ICON authorized service personnel; to products used for commercial or rental purposes; or to products used as store display models. Specifically excluded are damages caused by or attributable to the following incidents: any damage to the premium cedar surround or frame attributable to improper handling or freight damage; damage resulting from improper winterization; damage to the spa shell resulting from improper chemical treatment, damage to the spa shell resulting from exposure to extreme temperatures, or damage to the spa shell resulting from exposure to direct sunlight and ultraviolet rays while the spa is empty; damage to the pump, motor, plumbing, and components due to improper maintenance, chemical treatment, or exposure; or damage resulting from failure to properly follow user's manual installation, operating, or maintenance instructions. Also excluded are consumable components, including but not restricted to filter cartridges. No other warranty beyond that specifically set forth above is authorized by ICON.

ICON is not responsible or liable for indirect, special or consequential damages arising out of or in connection with the use or performance of the product or damages with respect to any economic loss, loss of or damage to property including water damage, loss of revenues or profits, loss of enjoyment or use, costs of removal, installation or other consequential damages of whatsoever nature. Some states do not allow the exclusion or limitation of incidental or consequential damages. Accordingly, the above limitation may not apply to you.

The warranty extended hereunder is in lieu of any and all other warranties and any implied warranties of merchantability or fitness for a particular purpose is limited in its scope and duration to the terms set forth herein. Some states do not allow limitations on how long an implied warranty lasts. Accordingly, the above limitation may not apply to you.

This warranty gives you specific legal rights. You may also have other rights which vary from state to state.

**ICON HEALTH & FITNESS, INC., 1500 S. 1000 W., LOGAN, UT 84321-9813**

## Free Manuals Download Website

<http://myh66.com>

<http://usermanuals.us>

<http://www.somanuals.com>

<http://www.4manuals.cc>

<http://www.manual-lib.com>

<http://www.404manual.com>

<http://www.luxmanual.com>

<http://aubethermostatmanual.com>

Golf course search by state

<http://golfingnear.com>

Email search by domain

<http://emailbydomain.com>

Auto manuals search

<http://auto.somanuals.com>

TV manuals search

<http://tv.somanuals.com>