



Remote Flash Trigger Kit






Thank you for your purchase of a PROMASTER Remote Flash Trigger Kit. This manual was written to help you get the most from wireless flash trigger. Be sure to read this manual thoroughly before use.



The PROMASTER Remote Flash Trigger will fire your electronic flash unit from any camera that has a hot shoe or PC outlet. The transmitter has a standard hot shoe as well as a standard PC sync cable for cameras that do not have a hot shoe contact. Both the transmitter and receiver feature a stand-by mode that saves battery power. The wireless signal from the transmitter is encoded to help protect the unit from radio frequency interference, ensuring that your flash unit fires only when you use the trigger. The trigger has a test button which will fire the flash unit(s) without the need to take a photo with your camera.

Components Included:

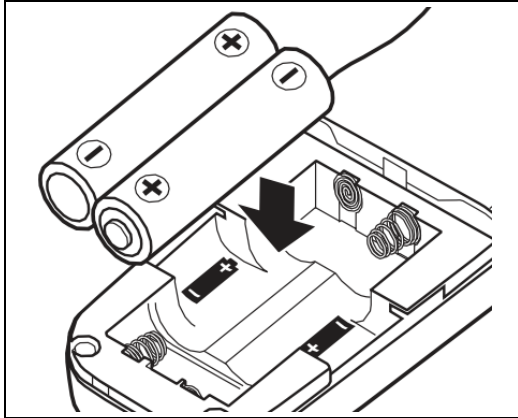
Remove the flash trigger kit from the box and confirm that you have all the items listed below.

		
1 pc. - Transmitter	Code 5100 – 1 pc. Receiver Code 5107 – 2 pcs. Receiver	1 – pc. PC Sync Cord
		
Code 5100 – 2 pcs. AAA Alkaline battery Code 5107 – 4 pcs. AAA Alkaline battery	1 pc. - 23A Alkaline battery (pre-installed in trigger)	

Specifications:

- 4 channels – user selectable
- Working frequency: 433MHz
- Power Input of Transmitter: 12V 1x 23A battery (PRE-INSTALLED)
- Power Input of Receiver: 3V 2x AAA batteries
- Working distance: 30m (open area without interference)
- Transmitter Dimensions: 7.00cm x 3.0cm x 4.7cm
- Receiver Dimensions: 7.65cm x 3.8cm x 3.5cm
- PC sync port on receiver module
- Receiver includes 1/4"-20 tripod mount;
- Trigger Voltage Compatibility: 3-400v
- Response time: 1/500s - 1/1000s (actual sync speed varies from 1/125s to 1/600s depending on the sync speed of flash / strobe)

Replacing Receiver Batteries:



1. Turn OFF the receiver power
2. Remove the old batteries (AAA 1.5V or LR03 Alkaline batteries)
3. Insert two fresh batteries

Using your Remote Flash Trigger:

1. Turn the power of camera and receiver OFF.
2. If your camera has a hot shoe, mount the transmitter to the camera hot shoe socket. If your camera does not have a hot shoe, connect the PC cable to the camera PC sync socket and to the transmitter.
3. Mount the flash on to the receiver shoe. If your flash does not have a hot shoe, connect the flash's PC cord to the PC sync socket on the receiver.
4. If you are using a PROMASTER flash, set the ADVANCED FEATURES switch to P. For all other flashes, set the ADVANCED FEATURES SWITCH to O.
5. Set the channel selector at same position on both the transmitter and the receiver. To use multiple flash units, be sure to set all receivers to the same channel.
6. Turn the power of the camera and the receiver(s) ON.
7. Press the test button on transmitter.
8. If the transmitter and the receiver status lights are turning red and your flash is triggered all of the settings are correct.



For Your Safety

- ⚠ Do not disassemble or modify
- ⚠ Keep Dry
- ⚠ Keep out of reach of children
- ⚠ Do not use in the presence of flammable gas
- ⚠ Do not expose to high temperatures



PHOTOGRAPHIC RESEARCH ORGANIZATION, INC.
FAIRFIELD, CT 06825

www.promaster.com

*PROMASTER is a supplier of premium quality lenses,
digital camera memory, batteries and accessories, binoculars, filters,
digital and conventional electronic flashes, camera cases and tripods.*

Free Manuals Download Website

<http://myh66.com>

<http://usermanuals.us>

<http://www.somanuals.com>

<http://www.4manuals.cc>

<http://www.manual-lib.com>

<http://www.404manual.com>

<http://www.luxmanual.com>

<http://aubethermostatmanual.com>

Golf course search by state

<http://golfingnear.com>

Email search by domain

<http://emailbydomain.com>

Auto manuals search

<http://auto.somanuals.com>

TV manuals search

<http://tv.somanuals.com>