

[pro]master

FM650

Manual Electronic Flash

Instruction Manual

Thank you for your purchase of a ProMaster electronic flash. This electronic flash may be used with both digital and film cameras. Your flash uses a low voltage and low current triggering system to provide protection for most digital cameras. Please take few minutes to read these instructions before using your flash.

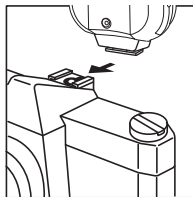
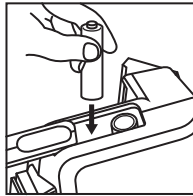
SPECIFICATIONS

Guide No (ISO 100 / DIN21)	66(ft)/20(m)
Flash Coverage	45° vertical x 60° horizontal
Power source	2 x AA (1.5V) Batteries
Recycling time	Approx. 5 seconds with fresh batteries
Weight w/o batt.	Approx. 105g
Dimensions	63x60x90mm
Accessories	Synchro cord

Specifications and design are subject to change without notice.

LOADING BATTERIES

Make sure the ON/OFF switch is in OFF position. Slide open the battery cover and insert 2 x AA batteries in the direction shown by the symbols in the battery compartment. Close the battery cover. Inserting batteries with the wrong polarity may cause the batteries to overheat, leak, explode and/or damage the flash. Switch the ON/OFF switch to the ON position. The ready indicator will light within a few seconds if the batteries are properly installed. When you need to replace the batteries, be sure all of the batteries are the same brand, type and capacity.



ATTACHING THE FLASH TO YOUR CAMERA

The flash can be mounted directly onto camera's hot shoe socket. If hot shoe socket contacts on your camera do not match the contacts on the foot of the flash, do not mount the flash onto the camera. If the contacts do not match, your camera or flash may be damaged. If you do not have a hot shoe on your camera, the flash may be connected using the synchro cord (included) to connect to the camera's PC sync terminal.

USING THE FLASH

Switch the flash to the ON position. Refer to the Exposure Table on the back of the flash, estimate the camera to subject distance and note the film speed in order to get the correct camera lens aperture setting. The aperture can be calculated using this formula:

Aperture (f) = guide number (GN) / flash to subject distance (m)

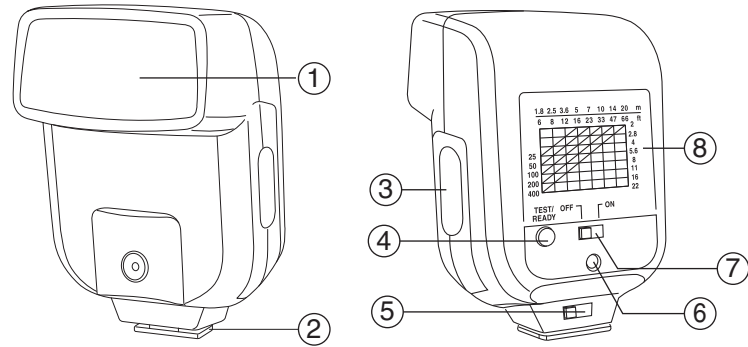
Example: Flash Used = FM650

Film speed: ISO 100; Flash to subject distance: 5.0m

The correct aperture should be f4.

Made in China

Code 9090

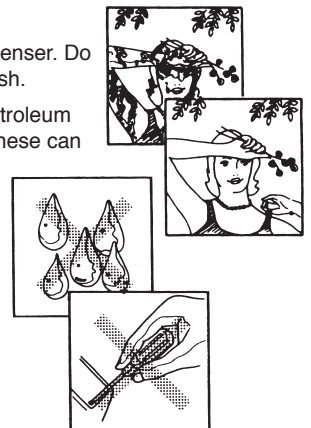


FM650

1. Flash Head
2. Mounting Foot
3. Battery Cover
4. Ready Indicator
5. Lock Switch
6. Synchro Socket
7. On / Off Switch
8. Exposure Table / Test Button

CAUTION

- This flash unit is not for use with a camcorder.
- Do not leave or store the flash unit at temperature exceeding 40° C. This might adversely affect the internal structure or performance of the flash unit.
- Do not leave the flash unit in your automobile during the summer.
- Remove the batteries if you do not intend to use the flash unit for a long period of time.
- The flash unit is not water-resistant. Rain and humidity may cause irreparable damage to the flash.
- The flash unit is composed of very delicate electronic parts. It should be protected against shock, falls or other improper handling.
- The flash unit contains a high voltage condenser. Do not try to open the housing or repair the flash.
- Do not clean the surface of flash unit by petroleum distillates, detergents or strong solvents. These can cause damage to the flash.



WWW.PROMASTER.COM
FAIRFIELD, CT 06825

Free Manuals Download Website

<http://myh66.com>

<http://usermanuals.us>

<http://www.somanuals.com>

<http://www.4manuals.cc>

<http://www.manual-lib.com>

<http://www.404manual.com>

<http://www.luxmanual.com>

<http://aubethermostatmanual.com>

Golf course search by state

<http://golfingnear.com>

Email search by domain

<http://emailbydomain.com>

Auto manuals search

<http://auto.somanuals.com>

TV manuals search

<http://tv.somanuals.com>