

Vectra MIC-1 Electret Condenser Microphone

The Vectra MIC-1 stereo microphone fits most digital video and DSLR cameras. This microphone offers more natural improved sound over what you will normally get with the mic built in to your camera or camcorder. Its high sensitivity and strong directional capability gives you superb clarity for subjects that are further away. The Vectra MIC-1 offers a selectable pick-up pattern to get the best sound depending on the scene you are recording.

Important Notes:

- The microphone is a sensitive precision instrument. DO NOT subject it to impact or excessive vibration. Keep it away from high temperatures and humidity.
- If the microphone is operated near an amplifier you will experience feedback. If this happens, move the microphone away from the amplifier or turn down the volume of the amplifier.
- Changing the mode switch while recording will cause the switch noise to be recorded.
- If the windscreen gets wet from rain or other sources, it should be dried in a cool, dry place. Avoid drying in direct sunlight to prevent deterioration of the foam.

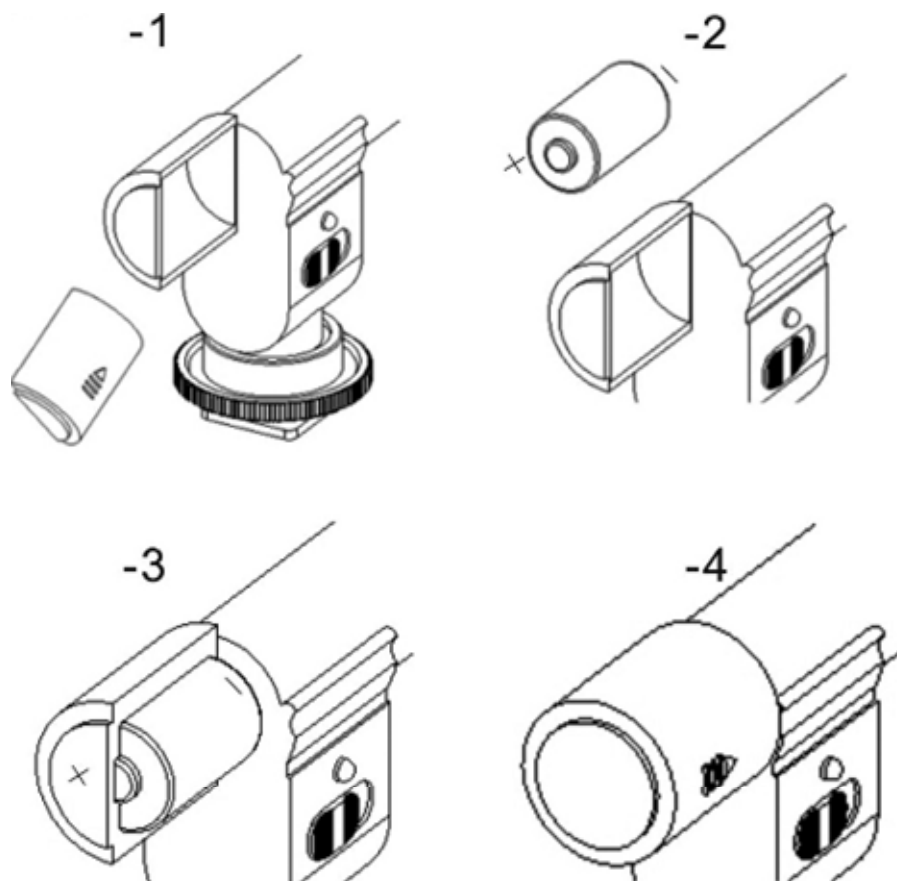
Package includes:

- MIC-1 Electret Condenser Microphone
- Wind Screen
- CR2 battery
- Storage bag
- Instruction Manual

Installing or changing the battery

The battery must be installed in order for the microphone to operate.

1. Push the battery cover backward and lift off.
2. Push the battery towards the front of the microphone to remove.
3. Put the new battery into the battery compartment. Be sure to observe the correct polarity.
4. Replace the battery cover and slide into place.



When to change the battery

The indicator light above the off and on switch will flash when the microphone is turned on if the battery is good. When the battery level reaches approximately one hour of remaining use, the indicator light will glow and the battery should be replaced. A CR2 battery will normally last for up to 800 hours depending on the frequency and pattern of use.

Caution

1. Use only a primary (non rechargeable) CR2 lithium battery. The battery supplied cannot be recharged.
2. If you will not be using the microphone for an extended period of time, remove the battery before storage.
3. If the battery leaks, be sure to thoroughly clean the battery compartment before installing a new battery.

Connection

Slide the foot of the microphone into to the accessory shoe of your camcorder or DSLR (see Figure 1). Turn the locking wheel to fix the microphone in place. Be sure that your camcorder or DSLR is POWERED OFF. Insert the mini stereo plug of the microphone into the external microphone input of your camcorder or DLSR. (See Figure 2)

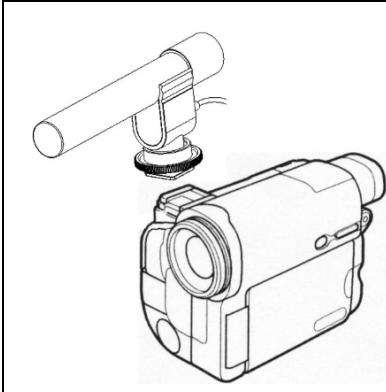


Figure 1

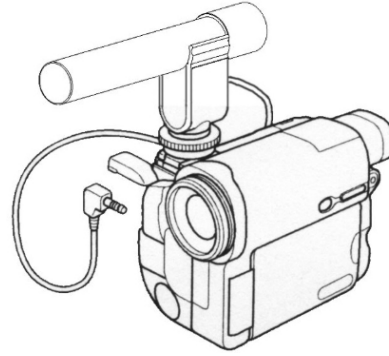
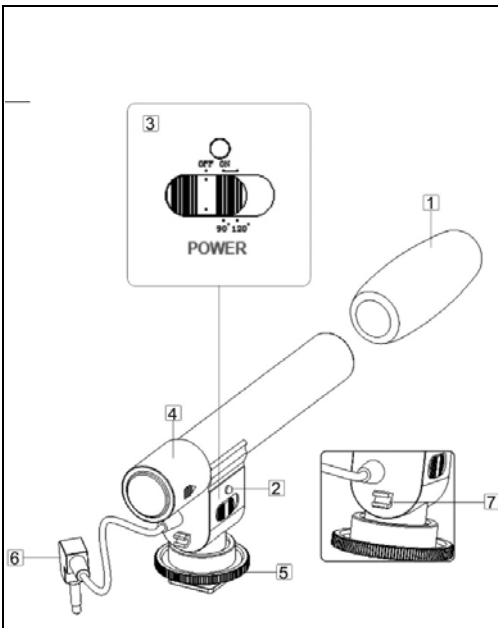
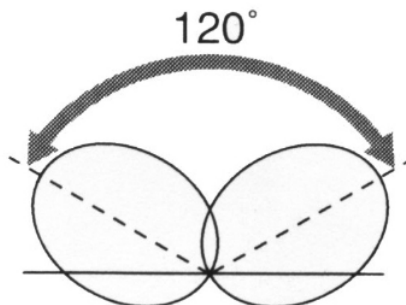
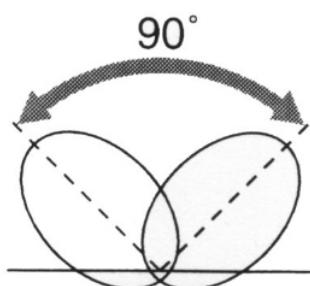


Figure 2



1. Wind Screen: Cover on the microphone to reduce the wind noise and sound of breath.
2. AF light: When you switch "OFF" to "ON", the light will flash then off. When the light flashes or glows during use it indicates low power and the battery should be replaced.
3. Power/Mode switch
4. Battery cover
5. Accessory shoe connector
6. Mini stereo plug
7. Cable clip: Use this to remove slack in the cable.

Mode switch



ON	Microphone is on
OFF	Microphone is off
90°	Picks up sound in a limited area or from a further distance
120°	Picks up sound in a big area or a closer distance

Specifications:

- Frequency response: 30-1800Hz
- Sensitivity: -40dB (0dB=1V/Pa at 1KHz)
- Direction: Uni-direction
- Output Impedency: 200
- S/N Radio: 76dB (1KHz at 1Pa)
- Max SPL: 120dB (at 1KHzs1%T.H.D.)
- Power Requirements: DC 3V (CR2 battery)
- Length of Cable: 11 in./28cm
- Dimensions: .98 x 5.12 x 2.36"/25 x 130 x 60mm
- Weight: 1.59 oz/45g (without battery)

Code 8026

Made in China

Vectra • Fairfield, CT 06825

Free Manuals Download Website

<http://myh66.com>

<http://usermanuals.us>

<http://www.somanuals.com>

<http://www.4manuals.cc>

<http://www.manual-lib.com>

<http://www.404manual.com>

<http://www.luxmanual.com>

<http://aubethermostatmanual.com>

Golf course search by state

<http://golfingnear.com>

Email search by domain

<http://emailbydomain.com>

Auto manuals search

<http://auto.somanuals.com>

TV manuals search

<http://tv.somanuals.com>