

RANGE HOODS



For model numbers: PLFW581 / PLFW582

USER MANUAL

Dear Valued Customer,

Congratulations on your recent purchase of a new PROLINE range hood!

To use your hood to its maximum potential, familiarize yourself with the controls and features of your new hood. This manual will step you through the installation of your hood, and how to maintain it. Read and use this care manual thoroughly, beginning with the *Important Safety Notice* section.

All PROLINE hoods are designed and manufactured with the closest attention to detail. If you ever experience a problem with your product, check the *Troubleshooting* section of this manual first. This section is a quick reference designed to save you time by answering your most common questions right away. If you still need help, please feel free to contact our Customer Support Team for assistance:

PROLINE Customer Support
1750 S 500 W, Suite 400
Salt Lake City, UT 84115
1-877-901-5530 (Toll Free)

Hours: Monday-Friday 7am-5pm Mountain Standard Time

Thank you for buying PROLINE! We are dedicated to delivering you quality hoods at amazingly low prices. We are confident you'll enjoy your new PROLINE hood for many years to come.

Best,

The PROLINE Customer Support Team

TABLE OF CONTENTS



| | | |
|----------|------------------------------------|--------------|
| 1 | <i>Safety Notice</i> | 1 |
| <hr/> | | |
| 2 | <i>Diagrams</i> | 2-5 |
| | Your Hood | 2 |
| | Control Panel | 3 |
| | Venting | 4-5 |
| <hr/> | | |
| 3 | <i>Installation</i> | 7-9 |
| | Preparation | 7 |
| | Warranty | 8-9 |
| <hr/> | | |
| 4 | <i>Care & Cleaning</i> | 10-11 |
| <hr/> | | |
| 5 | <i>Troubleshooting</i> | 12 |
| <hr/> | | |
| 6 | <i>Purchase Information</i> | 13-15 |
| | Warranty | 13 |
| | Returns | 14 |
| | Exchanges | 15 |



IMPORTANT SAFETY NOTICE

Installer: Leave this guide with the homeowner.

Consumer: Keep this guide for future reference.

The Important Safety Notice and warnings in this manual are not meant to cover all possible problems and situations that can occur. Use common sense and caution when installing, maintaining or operating this or any other appliance.

Always contact the PROLINE Customer Support Team (1-877-901-5530) with any problems or situations that you do not understand.

SAFETY SYMBOLS AND LABELS



DANGER

To avoid the possibility of explosion or fire, do not store or use combustible, flammable or explosive vapors and liquids (such as gasoline) inside or in the vicinity of this or any other appliance. Keep items that could explode (such as aerosol cans) away from cooktop burners, ovens and range hoods. Do not store flammable or explosive materials in adjacent cabinets or surrounding areas.



WARNING

WARNING - TO REDUCE THE RISK OF FIRE, ELECTRIC SHOCK, OR INJURY TO PERSONS, OBSERVE THE FOLLOWING:

1. Use this unit only in the manner intended by the manufacturer. If you have questions, contact PROLINE Customer Support.
2. Before servicing or cleaning your hood, turn the power off.

GENERAL SAFETY PRECAUTIONS:

To reduce the risk of fire, electric shock, serious injury or death when using your range hood, follow basic safety precautions, including the following:

SAFETY

DIAGRAMS

INSTALLATION

FILTERS

CARE

TROUBLESHOOTING

PURCHASE INFO



IMPORTANT SAFETY NOTICE



WARNING

- ◆ If you receive a damaged product, immediately contact PROLINE Customer Support. Do not install or use a damaged hood.
- ◆ Do not install, repair or replace any part of the range hood unless specifically recommended in the literature accompanying it.
- ◆ Use the range hood only for its intended purpose as outlined in this manual. DO NOT use this range hood to vent hazardous or explosive materials or vapors.
- ◆ Do not tamper with the controls.
- ◆ Never allow the filters to become blocked or clogged. Do not allow foreign objects, such as cigarettes or napkins, to be sucked into the hood.
- ◆ If the cooktop and range hood are near a window, use an appropriate window treatment. Avoid long drapes or other window coverings that could blow over the cooktop and hood, resulting in a fire hazard.
- ◆ Always run the blower(s) while the cooktop is operating.
- ◆ Do not leave children or pets alone or unattended in the area while the cooktop and range hood are in use. .
- ◆ The minimum vertical distance between the cooking surface and the exterior part of the hood must be no less than 28" (71 cm). The vertical distance may be longer for the range or cooktop being used.

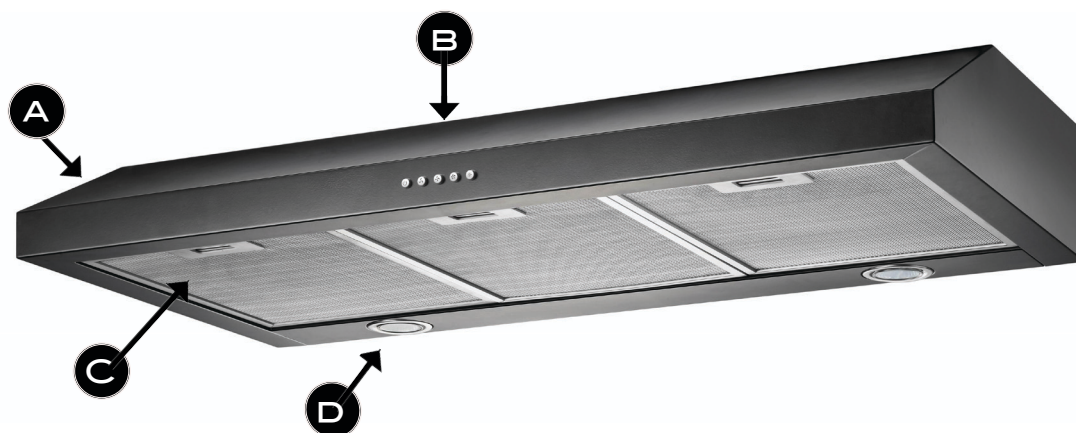
To reduce the risk of a range top grease fire:

1. Never leave surface units unattended at high settings. Boil-overs cause smoking and greasy spills that may ignite. Heat oils slowly on low or medium settings.
2. Always turn hood ON when cooking at high heat
3. Clean ventilating fans frequently. Grease should not be allowed to accumulate on fan or filter.

To reduce the risk of injury to person in the event of a range top grease fire:

4. SMOTHER FLAMES with a close-fitting lid, cookie sheet or metal tray, then turn off the burner. BE CAREFUL TO PREVENT BURNS. If the flames do not go out immediately, EVACUATE AND CALL THE FIRE DEPARTMENT.
5. NEVER PICK UP A FLAMING PAN - you may be burned.
6. DO NOT USE WATER, including wet dish clothes or towels - a violent steam explosion may result.

YOUR HOOD



- A** - HOOD directs heat and smoke into the hood's internal blower system.
- B** - CONTROL PANEL - controls the hood's various features.
- C** - FILTER(S) - prevent grease and grime from getting into the blower(s). The number and type of filters depends on the model.
- D** - LIGHTS - 20watt halogen lights.

SAFETY

DIAGRAMS

INSTALLATION

FILTERS

CARE

TROUBLESHOOTING

PURCHASE INFO

CONTROL PANEL

SAFETY

DIAGRAMS

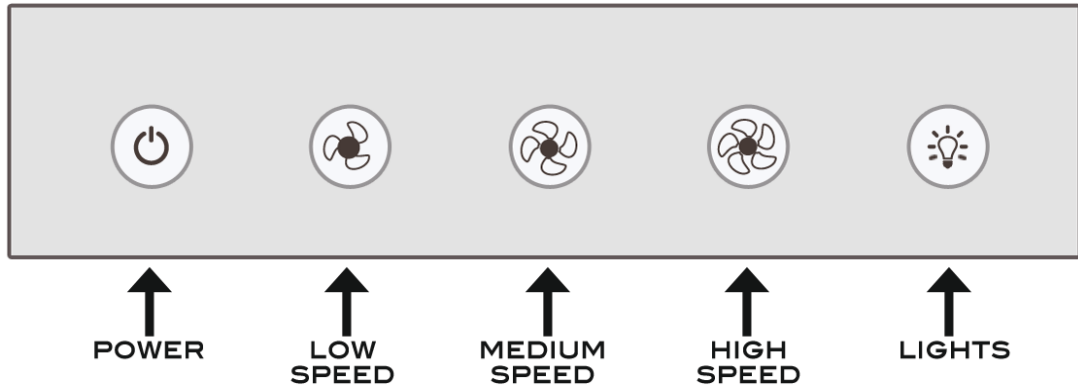
INSTALLATION

FILTERS

CARE

TROUBLESHOOTING

PURCHASE INFO



Power: Press the power button to turn on or off.

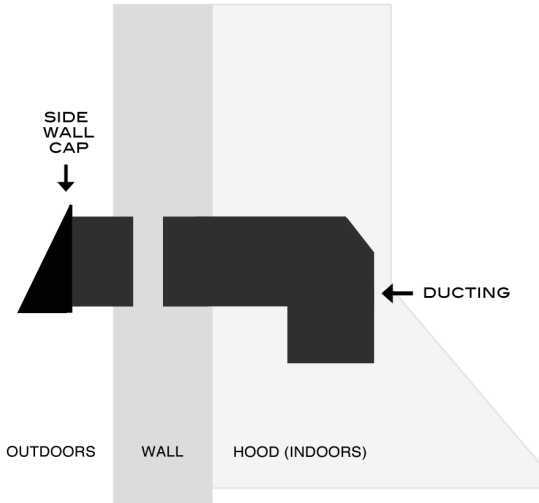
Speeds: 3 speeds. Press the button of your desired fan speed. The lowest speed is the most quiet. The highest speed is the most powerful.

Lights: Tap button to turn lights on or off.

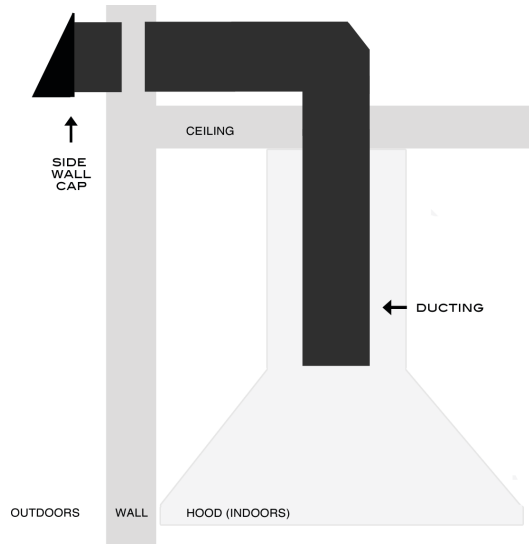
VENTING OPTIONS

HORIZONTAL WALL VENTING

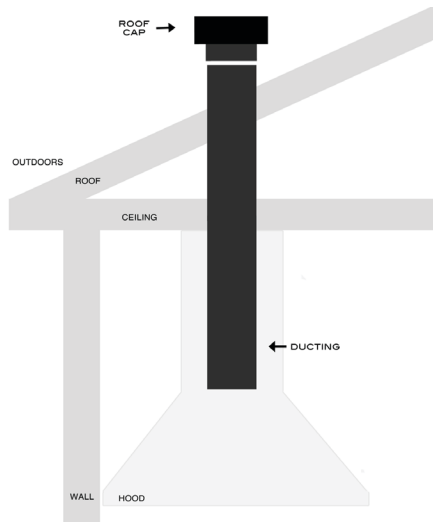
Option 1



Option 2



VERTICAL ROOF VENTING



| |
|-----------------|
| SAFETY |
| DIAGRAMS |
| INSTALLATION |
| FILTERS |
| CARE |
| TROUBLESHOOTING |
| PURCHASE INFO |

VENTING REQUIREMENTS

HEIGHT & VENTING REQUIREMENTS

SAFETY

DIAGRAMS

INSTALLATION

FILTERS

CARE

TROUBLESHOOTING

PURCHASE INFO

For best operation, we recommend you:

- ◆ allow 28-36" between the top of your cooking surface and the bottom of hood
- ◆ vent vertically through the roof if possible
- ◆ vent through a side wall if you cannot vent directly above your range hood
- ◆ use 6" or 8" round (or 3-1/4 x 10" rectangular) metal ducting
- ◆ use as few elbows as possible, with no more than three 90° elbows.
- ◆ make sure there is at least 24" of straight vent between any elbows
- ◆ use silver or duct tape to seal all joints in the vent system
- ◆ use caulking to seal exterior openings around the cap
- ◆ always use metal or aluminum ducts for maximum airflow
- ◆ always keep the duct clean to ensure proper airflow



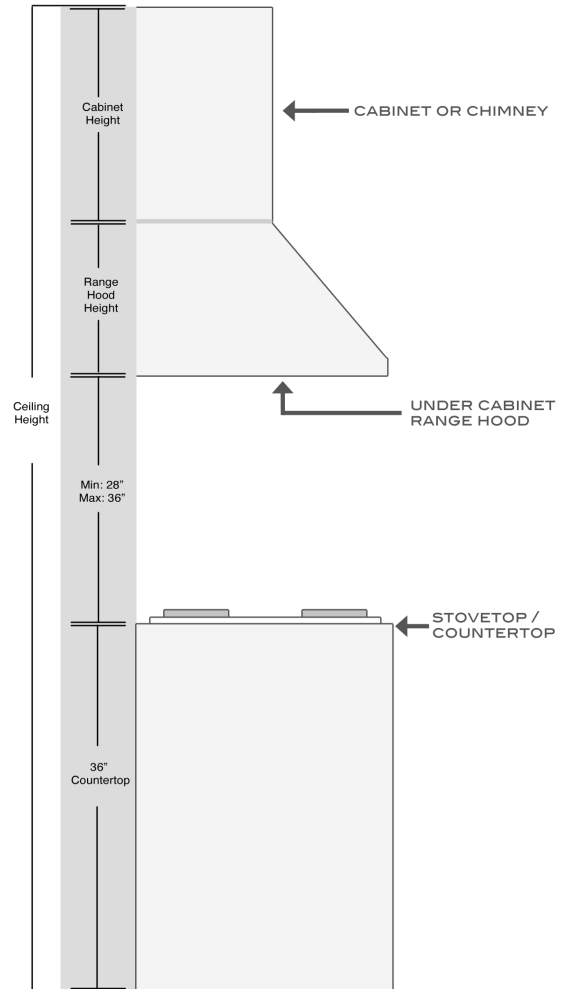
DO NOT:

- ◆ terminate the vent system into an attic or other enclosed area
- ◆ use 4" (10.2 cm) laundry-type wall caps
- ◆ use plastic venting



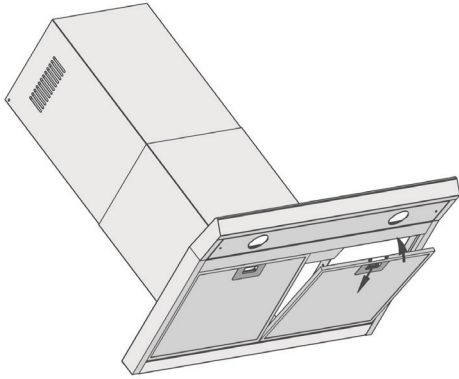
WARNING

It is important to install the hood at the proper mounting height. Hoods mounted too low could result in heat damage and fire hazard. Hoods mounted too high will be hard to reach and will lose performance and efficiency.



FILTERS

ALUMINUM FILTER



To remove the aluminum filter, pull the spring loaded handle back toward the wall and down

SAFETY

DIAGRAMS

INSTALLATION

FILTERS

CARE

TROUBLESHOOTING

PURCHASE INFO

PREPARATION

| |
|---------------------|
| SAFETY |
| DIAGRAMS |
| INSTALLATION |
| FILTERS |
| CARE |
| TROUBLESHOOTING |
| PURCHASE INFO |

INSPECT RANGE HOOD

1. Check contents of box:

- ◆ range hood
- ◆ wall or ceiling mounting bracket
- ◆ small bag of hardware
- ◆ chimney (only on certain models)
- ◆ support brackets (only on certain models)
- ◆ transition duct (only on certain models)

2. Test

- ◆ plug in and test controls, lights, fan
- ◆ inspect for any damage during shipping
- ◆ you must report any damage to Proline within 7 days for a refund

TOOLS YOU'LL NEED:

- ◆ power drill
- ◆ screwdrivers
- ◆ drill bit
- ◆ tape measurer
- ◆ marking pencils
- ◆ duct tape aluminum backed
- ◆ level
- ◆ wall anchors (Make sure to buy the right kind. Hardware stores can help.)

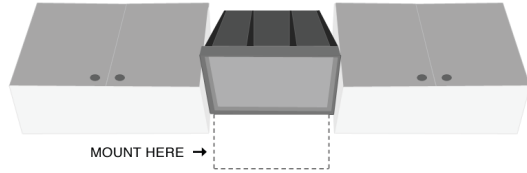
PREPARE DUCTWORK

Ductwork should already be punched through ceiling (or the wall if ceiling is not an option) and ready to hook up to the range hood before beginning installation. See venting requirements on page 9 of this user manual.

HOOD INSERT INSTALLATION

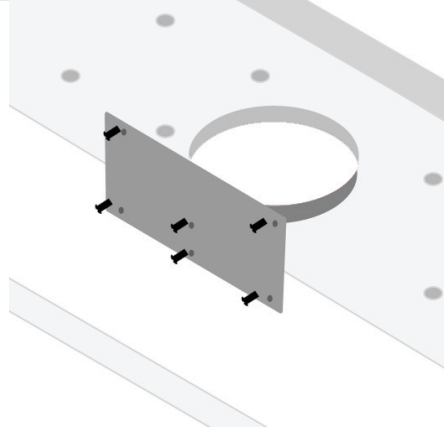
STEP 1

Mark the leveling point of the hood. Position two mounting screws on the wall leaving 1/8" space between the wall and your hood. If you are installing under a cabinet, the hood should be flush with the front of the cabinet. Make sure you mount the hood on wall studs or lumbar for secure placement.



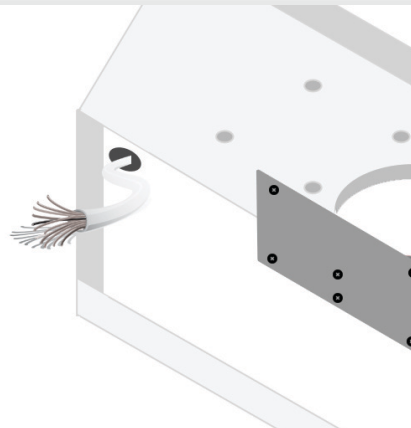
STEP 2

Attach the hood-mounting bracket to the back of the hood with the six screws provided.



STEP 3

Puncture the knockout wire access hole at the back of the hood and pull the electrical wires through the back.



SAFETY

DIAGRAMS

INSTALLATION

FILTERS

CARE

TROUBLESHOOTING

PURCHASE INFO

HOOD INSERT INSTALLATION

SAFETY

DIAGRAMS

INSTALLATION

FILTERS

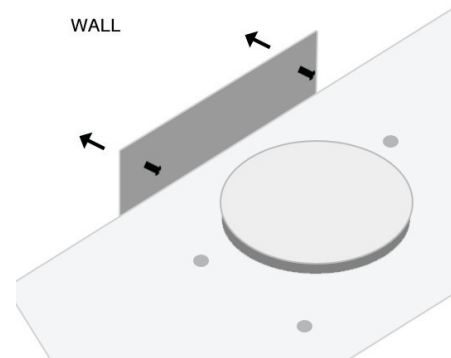
CARE

TROUBLESHOOTING

PURCHASE INFO

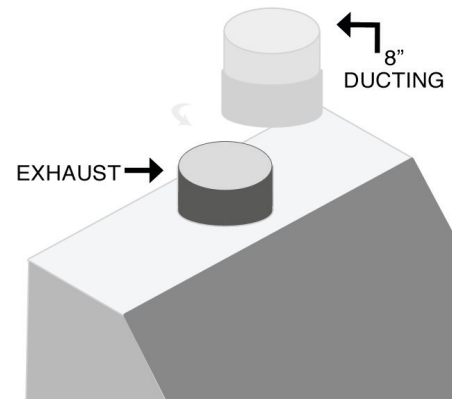
STEP 4

Align hood-mounting bracket to the screws on the wall and hook hood into place. Additional mounting fasteners may be used to further secure your hood.



STEP 5

Use 6" or 8" round steel pipe to connect the exhaust on the hood to the ductwork above. Use silver tape or duct tape to make all joints secure and air tight.



STEP 6

Make your electrical connections. The hood does not have a plug and needs to be hard wired.

CARE & CLEANING



WARNING

- ◆ Never put your hand into the area housing the fan while the fan is operating
- ◆ Turn off power to the hood before cleaning
- ◆ Make sure your cooktop and hood are cool before cleaning
- ◆ Use only the types of cleaning solutions mentioned in this manual
- ◆ Completely dry the filter(s) immediately after cleaning

CLEANING EXTERIOR SURFACES

- ◆ Regular care will help preserve the appearance of your range hood.
- ◆ Always wipe stainless steel surfaces with the grain to avoid scratches
- ◆ Clean periodically with hot soapy water and clean cotton cloth.
- ◆ For heavier soil, use a liquid degreaser such as 409™ or Fantastic™.
- ◆ If hood looks splotchy, use a stainless steel cleaner on the surface. Promptly and gently remove cleaner with a soft towel or wipe.
- ◆ After cleaning, you may use non-abrasive stainless steel polish (such as 3m™ or ZEP™) to buff out stainless luster. Always scrub lightly and with a clean cotton cloth.



DO NOT:

- ◆ Use corrosive or abrasive detergent (eg, Comet Power Scrub™ or EZ-Off™ oven cleaner).
- ◆ Use steel wool or scouring pads, which will scratch and damage the stainless steel surface.
- ◆ Leak cleaning solution onto or into the control panel
- ◆ Allow deposits to accumulate or remain on the hood
- ◆ Allow salt solutions, disinfectants, bleaches, or cleaning compounds to remain in contact with the stainless steel for extended periods.

CLEANING THE FILTER

All PROLINE hoods come with either an aluminum mesh or stainless steel baffle filter. Both types of filters are dishwasher safe for easy cleaning. If handwashing your filter, follow the instructions in the “Cleaning Exterior Surfaces” section above.

SAFETY

DIAGRAMS

INSTALLATION

FILTERS

CARE

TROUBLESHOOTING

PURCHASE INFO

CARE & CLEANING

SAFETY

DIAGRAMS

INSTALLATION

FILTERS

CARE

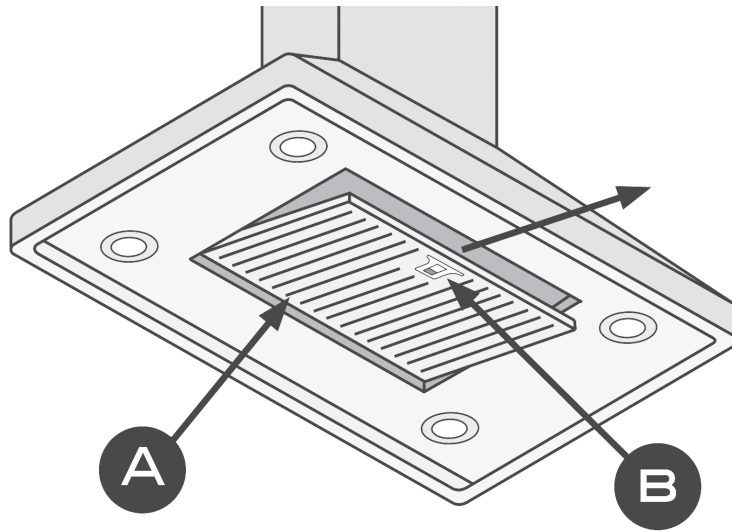
TROUBLESHOOTING

PURCHASE INFO

REPLACING THE LIGHT BULB

- ◆ Make sure the range hood is unplugged or turn OFF breaker
- ◆ Place a flat-head screwdriver between light cover and housing to remove cover
- ◆ Gently pull defective bulb straight out and discard
- ◆ Wear a cotton glove or use a cloth to handle the replacement bulb (DO NOT handle with bare fingers as this may shorten the life of the bulb)
- ◆ Push gently but securely into light socket. (DO NOT push too hard as bulb legs may break off)
- ◆ Replace light cover
- ◆ Turn ON breaker and range hood to test operation

REMOVING THE FILTER



- ◆ The filter **(A)** is located on the bottom of the hood, directly above the cooking surface.
- ◆ Hold the filter in place with one hand and pull back on the release lever **(B)** with the other.
- ◆ While pulling back on the release lever, lower the filter out of the hood. On hoods with more than one filter, remove, clean and replace all of the filters.

TROUBLESHOOTING

NOTHING WORKS (Control Panel not lit, Blower not working)

Solution 1: Turn on power at circuit breaker panel or fuse box. Check for tripped breaker or blown fuse.

Solution 2: Make sure hood main power switch is on.

LIGHTS NOT TURNING ON

Solution 1: see “nothing works”

Solution 2: Swap out lights to determine if bulbs are defective.

RANGE HOOD VIBRATES WHEN BLOWER IS ON

Solution: Make sure the range hood has been secured properly to the ceiling or wall.

BLOWER SYSTEM SEEMS WEAK

Solution 1: Increase the fan speed, ensure that it is at a high enough setting.

Solution 2: Make sure the ducting is sized correctly. Range hood will not function efficiently with insufficient duct size (IE, 9” duct over 8” hole)

Solution 3: Check to see if duct is clogged or if damper unit (half-circular flapper) is installed incorrectly. A tight mesh on a side wall cap unit might also cause restriction to the air flow.

AIR NOT VENTING OUT PROPERLY

Solution 1: Make sure there is at least 28” (71 cm) between the stove top and the bottom of the hood

Solution 2: Reduce the number of elbows and length of duct work. Check to ensure all joints are properly connected, sealed, and taped.

Solution 3: Make sure power is on high speed for heavy cooking.

SAFETY

DIAGRAMS

INSTALLATION

FILTERS

CARE

TROUBLESHOOTING

PURCHASE INFO

WARRANTY

SAFETY

All PROLINE range hoods come with a Two Year Warranty on Parts, and a One Year Warranty on Labor.

DIAGRAMS

Who is Covered:

Only the original purchaser for residential products purchased in the continental United States (limited warranty in Canada, Hawaii, and Alaska).

INSTALLATION

Two Year Warranty - Parts & Labor

For two years from the date of original purchase, we will repair or replace any parts or components that failed due to manufacturing defects. We will also pay for any labor costs associated with installation or replacement of defective parts. Save a receipt of your repair bills and contact us for a reimbursement.

FILTERS

One Year Warranty - Parts Only

For one year from the date of original purchase, we will repair or replace any non-consumable parts or components that failed due to manufacturing defects.

CARE

What is NOT Covered:

- ◆ Consumable parts such as light bulbs and filters (stainless or aluminum)
- ◆ Damage due to natural wear, improper maintenance, or use of abrasive cleaning products
- ◆ Chips, dents, or cracks due to abuse, misuse, or improper installation
- ◆ Damage caused by accident, fire, floods, or natural disaster

TROUBLESHOOTING

PURCHASE INFO

RETURNS

UPON RECEIPT OF YOUR HOOD:

- 1) Inspect your hood for any damage in shipping
- 2) Plug in and test controls (lights, fan)
- 3) Call 1-877-901-5530 within 7 days to report any damage

Please note: you must report any damage directly to PROLINE within 7 days of receipt if you wish to receive a replacement or refund.

RETURNS

Damaged Returns

1. You must report damage directly to PROLINE within 7 days to receive a full refund.
2. Send a photo showing the damage. We need this before we can approve your damage claim.
3. Once your claim is approved, we will arrange for a damage pickup.
4. A new replacement hood will be sent to you after the damaged hood has been received and inspected.

Please Note: Free returned shipping only applies to 48 contiguous United States. Hawaii, Alaska and Canada must pay regular shipping rates.

Undamaged Returns

1. Contact PROLINE Customer Support within 30 days with your intent and reason for refund
2. You will pay a 20% factory restocking fee
3. You will be responsible for all returned shipping costs. We can help arrange for a pickup if requested.

SAFETY

DIAGRAMS

INSTALLATION

FILTERS

CARE

TROUBLESHOOTING

PURCHASE INFO

EXCHANGES

SAFETY

DIAGRAMS

INSTALLATION

FILTERS

CARE

TROUBLESHOOTING

PURCHASE INFO

EXCHANGES

1. You must request an exchange directly to PROLINE within 14 days.
2. Notify us of your reason for the exchange. Provide a photo if your hood is damaged.
3. We will help arrange for returned shipping of your hood.
4. Once we receive your original hood, we will send the replacement hood.

Please Note:

- ◆ We will only allow one undamaged exchange per purchase.
- ◆ Your replacement hood must be of equal or lesser value.
- ◆ If the value of your replacement hood is higher, you will be responsible for paying the difference in price.

RETURN CLAIMS NOT ACCEPTED IF:

- ◆ Hood has been installed
- ◆ Hood has been custom cut or otherwise altered
- ◆ Damage is reported after 7 days
- ◆ Original packaging or parts are missing

CONTACT:

PROLINE Range Hoods

1-877-901-5530

www.prolinerangehoods.com

PROLINE RANGE HOODS

1750 S 500 W Salt Lake City, UT 84115 · 1-877-901-5530 · www.prolinerrangehoods.com



Free Manuals Download Website

<http://myh66.com>

<http://usermanuals.us>

<http://www.somanuals.com>

<http://www.4manuals.cc>

<http://www.manual-lib.com>

<http://www.404manual.com>

<http://www.luxmanual.com>

<http://aubethermostatmanual.com>

Golf course search by state

<http://golfingnear.com>

Email search by domain

<http://emailbydomain.com>

Auto manuals search

<http://auto.somanuals.com>

TV manuals search

<http://tv.somanuals.com>