

**PELICAN 9420 LED WORK LIGHT USER MANUAL**

**CAUTION, READ THIS NOTICE BEFORE USE:** Keep fingers clear of moving parts at all times – failure to comply could result in injury.

**DEPLOYMENT OPERATION**

1. To deploy, hold the product off the ground using the hand grip on the head cowling and rotate leg latching collar in direction indicated on arrow on the main extrusion body (see Fig.1). The legs will spring outwards.
2. Once all three legs have released, move the deployment collar downwards and the legs will move away from the body to form a stable tripod base. Slide the deployment collar into the recess on the track to hold it in this position (see Fig. 2).

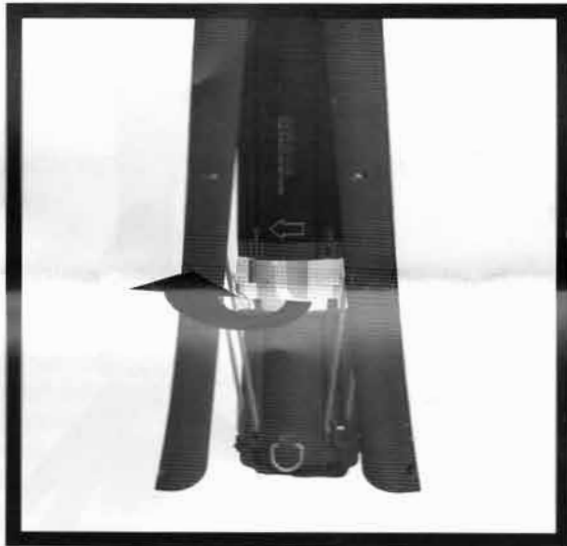


Fig. 1

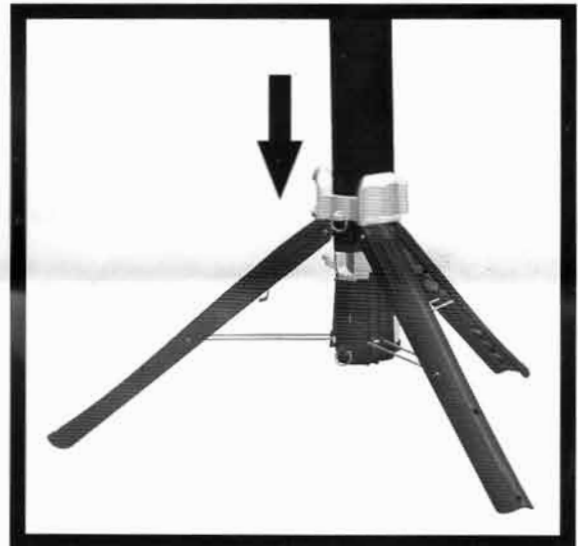


Fig. 2

**MAST OPERATION**

1. Once deployed, release the clamps in order (lowest first) and raise to the desired height (see Fig. 3) then clamp to hold in place.
2. To collapse the mast, reverse the procedure



**Take care to keep fingers clear of moving parts.**

**LIGHT OPERATION**

**CAUTION: DO NOT DIRECT LIGHT INTO EYES.**

1. Press keypad once for full power
2. Press again for half power
3. Press again to switch off

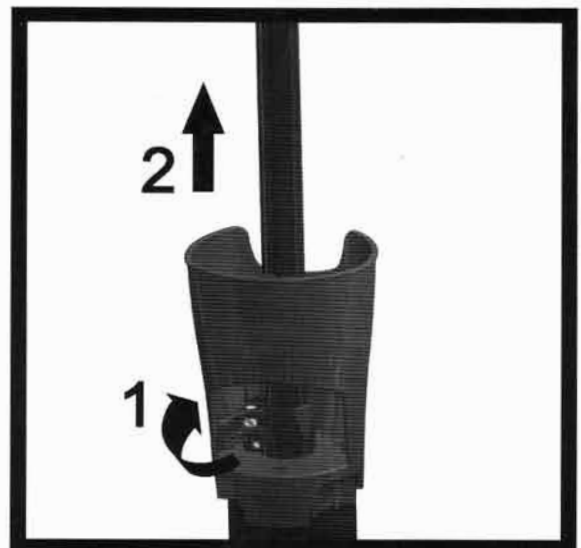


Fig. 3

## STORAGE OPERATION

1. To close, ensure light head is facing upwards and fully collapse the mast.
2. Pull the deployment collar upwards sharply (to dislocate it – see Fig. 4) and continue sliding the collar up until it runs out of travel. The legs can then all be pushed inwards and will automatically latch in place.

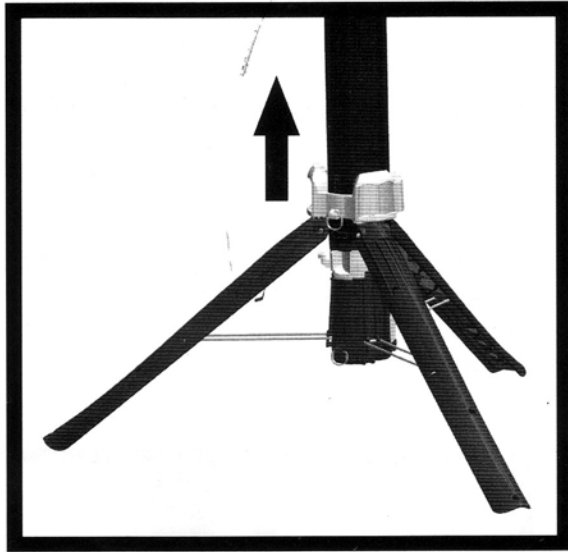


Fig. 4

## PRODUCT SPECIFICATION:

Lamp type: 2 X Cree XML LEDs producing 1200 lumens at source

Battery type: 7.2V Li Ion removable, rechargeable battery

Burn time: 2 hours minimum

Charging time: less than 2 hours

## BATTERY STATUS INDICATION

The on/ off switch includes an illuminated battery status indicator.

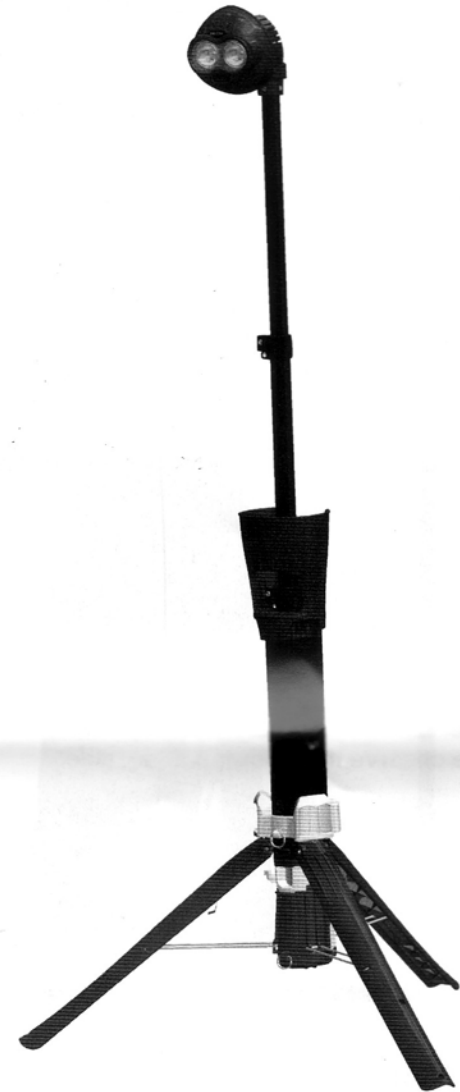
Green = 50 – 100% capacity  
Orange = 10 – 50% capacity  
Red = 0 – 10% capacity

## CHARGING:



**CAUTION: USE APPROVED CHARGER ONLY AND ALWAYS REMOVE BATTERY FROM CHARGER ONCE IT IS FULLY CHARGED.**

1. Remove the battery from base of product by pressing the two yellow latches simultaneously and pulling it from the housing.
2. Plug the power supply into the mains socket (or 12V vehicle charger plug into cigarette lighter socket) and the small plug into the jack into the side of the charger. Switch on AC mains/ vehicle power. Insert battery into the charger (using the yellow tabs on the top of the battery pack to line up with the yellow charger latches to ensure correct orientation, see Fig. 5.) secure it in place using the latches and observe the LED status. Do not force the battery pack into place, it should locate easily. If there is resistance, there may be an obstruction!



Light fully deployed – approx. 5ft or 1500mm

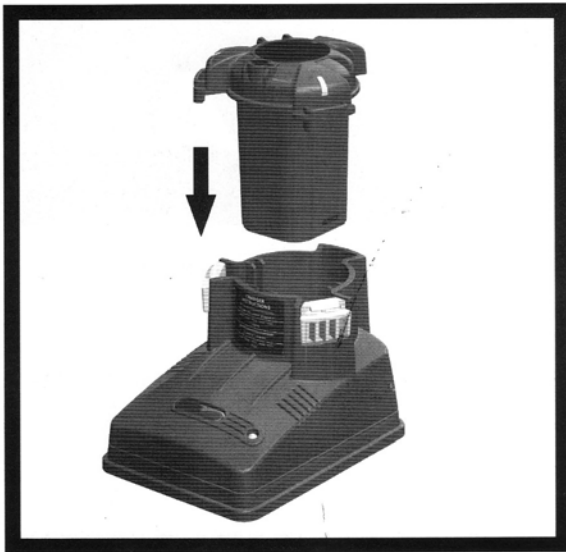


Fig. 5

Observe the following led indications:

<b>Solid Red</b>	=	<b>Standby with power plugged in</b>
<b>Red Flashing</b>	=	<b>Rapid Charge</b>
<b>Solid Green</b>	=	<b>Charging Complete</b>
<b>Red/ Green Flashing</b>	=	<b>Fault</b>

### PRODUCT CARE:

To ensure maximum product life please observe the following points:

1. Keep moving parts free of foreign objects.
2. Do not stand on product.
3. Avoid use on extreme gradients.
4. Do not use if damaged – return to point of purchase.

### LITHIUM ION REMOVABLE BATTERY PACK



**Lithium Ion batteries can explode, leak or cause burns if not handled properly.**

Please observe the following as a guide:

Only use Pelican approved batteries on the product.

Do not open batteries.

Do not dispose of in fire.

Do not heat above 140°F/60°C.

Do not expose batteries to water or excessive humidity.

Insert batteries correctly with regard to polarity (+ and -) marked on the battery and equipment

**Always dispose of all batteries properly at an approved battery recycling centre.**



**RoHS Compliance:** The Pelican 9420 product meets the RoHS guidelines for electronic components, and hardware. This complies with the requirements of the EU directive for banned substances.

### WARRANTY RETURN POLICY

Pelican guarantees its AALG products for 1 year against defects in materials and workmanship from the date of purchase. All warranty claims of any nature are barred if the product has been altered, damaged or in any way physically changed, or subjected to abuse, misuse, negligence or accident. Refer to [www.pelican.com/warranty](http://www.pelican.com/warranty) for full details.



23215 Early Ave. • Torrance, CA 90505  
(310) 326-4700 • FAX (310) 326-3311

© 2012 PELICAN™

[www.pelican.com](http://www.pelican.com)

All trademarks and logos displayed herein are registered and unregistered trademarks of Peli Products, S.L.U. or Pelican Products, Inc. and others

## Free Manuals Download Website

<http://myh66.com>

<http://usermanuals.us>

<http://www.somanuals.com>

<http://www.4manuals.cc>

<http://www.manual-lib.com>

<http://www.404manual.com>

<http://www.luxmanual.com>

<http://aubethermostatmanual.com>

Golf course search by state

<http://golfingnear.com>

Email search by domain

<http://emailbydomain.com>

Auto manuals search

<http://auto.somanuals.com>

TV manuals search

<http://tv.somanuals.com>