


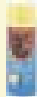



INSTALLATION INSTRUCTION SLIDING WINDOWS USING FRAME SCREWS

These instructions were tested and developed for replacing windows in wood-frame wall construction systems designed to manage moisture. Installation recommendations for other types of wall construction, wall systems, conditions, multiple windows or bow and bay windows, may be obtained from Pella Corporation or a local Pella retailer. Building designs, construction methods, building materials, and site conditions unique to your project may require an installation method different from these instructions and additional care on your part. Determining the appropriate installation method is the responsibility of you, your architect, or other construction professional.

YOU WILL NEED TO SUPPLY:

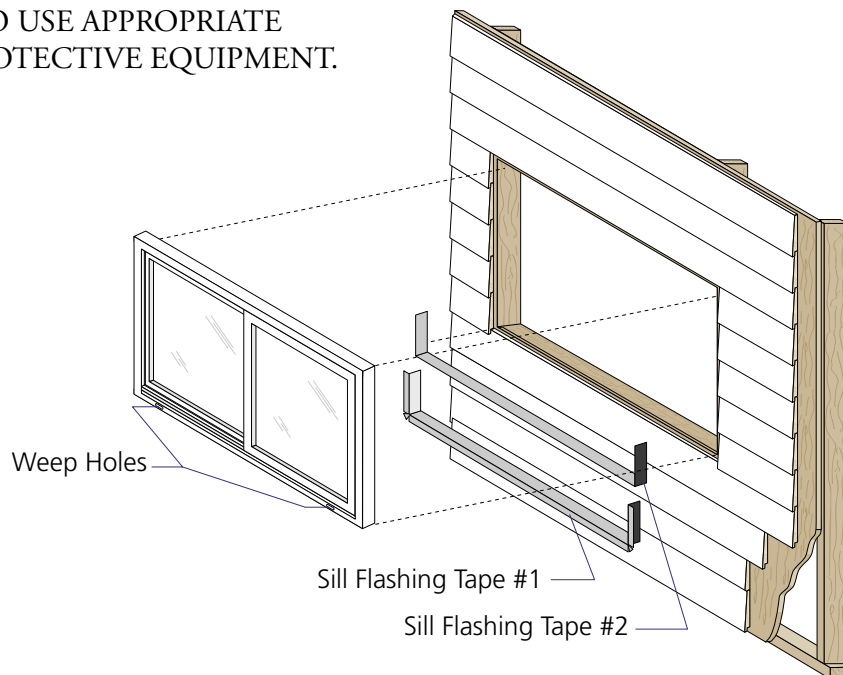
- Cedar shims/spacers (12 to 20) 
- Closed cell foam backer rod/sealant backer (12 to 30 ft.) 
- Pella® SmartFlash™ foil backed butyl window and door flashing tape or equivalent 
- Great Stuff™ Window and Door Insulating Foam Sealant by the Dow Chemical Company or equivalent low pressure polyurethane window and door foam - DO NOT use high pressure or latex foams. 
- High quality exterior grade polyurethane or silicone sealant (1 tube per window) 

Installation will require two or more persons for safety reasons.

TOOLS REQUIRED:

- Tape measure 
- Level 
- Square 
- Hammer 
- Scissors or utility knife 
- Putty knife 
- Screwdrivers (#2 Phillips and Flat blade) 
- Drill 
- 5/32" and 1/2" drill bit
- 3" long #2 Phillips screwdriver bit
- Sealant gun 

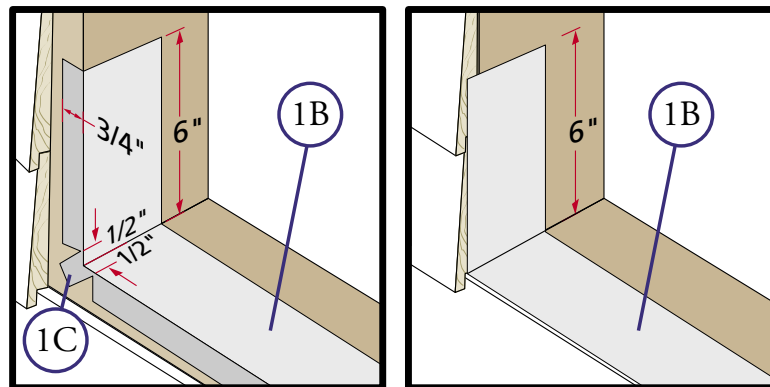
REMEMBER TO USE APPROPRIATE PERSONAL PROTECTIVE EQUIPMENT.



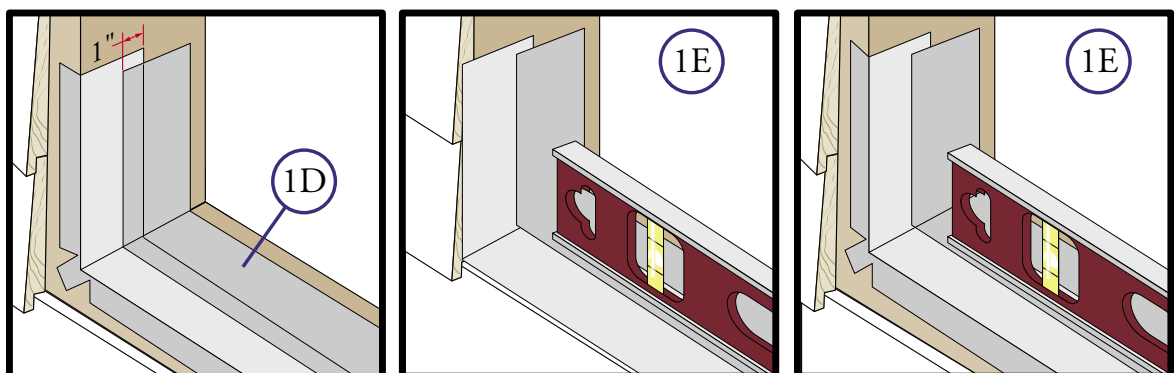
Always read the Vinyl Window and Door Limited Warranty before purchasing or installing Vinyl Windows and Doors manufactured by Pella Corporation. By installing this product, you are acknowledging that this Limited Warranty is part of the terms of the sale. Failure to comply with all Pella installation and maintenance instructions may void your Pella product warranty. See Limited Warranty for complete details at <http://warranty.pella.com>.

1 PREPARE THE OPENING

- A. **Prepare the rough opening.** It must be the correct size (window frame plus 1/4" in both width and height), square, plumb and the sill must be level. If needed, block in the rough opening on both sides, the top and the bottom.
- Note: If installing new blocking, install the blocking so it's flush with the exterior sheathing of the house. DO NOT attempt to install a window in an undersized opening.*
- B. **Apply sill flashing tape #1.** Cut a piece of flashing tape 12" longer than the opening width. Apply at the bottom of the opening as shown. If the sheathing or water resistive barrier is exposed, apply the flashing tape (1B) so it overhangs 1" onto the exterior or water resistive barrier.
- Note: The tape is cut 12" longer than the width so that it will extend 6" up each side of the opening.*



- C. **Tab the sill flashing tape and fold.** Cut 1" wide tabs at each corner (1/2" from each side of corner) (1C). Fold tape to the exterior and press firmly to adhere it to the water resistive barrier.
- Note: This step is not required if the exterior trim has not been removed.*
- D. **Apply sill flashing tape #2.** Cut a piece of flashing tape 12" longer than the opening width. Apply at the bottom, overlapping tape #1 by at least 1". DO NOT allow the tape to extend past the interior face of the framing (1D).



- E. **Ensure the bottom of the opening is level.**
- F. **Verify that the installation screws will fasten into solid wood.** If not, insert solid filler at screw locations.

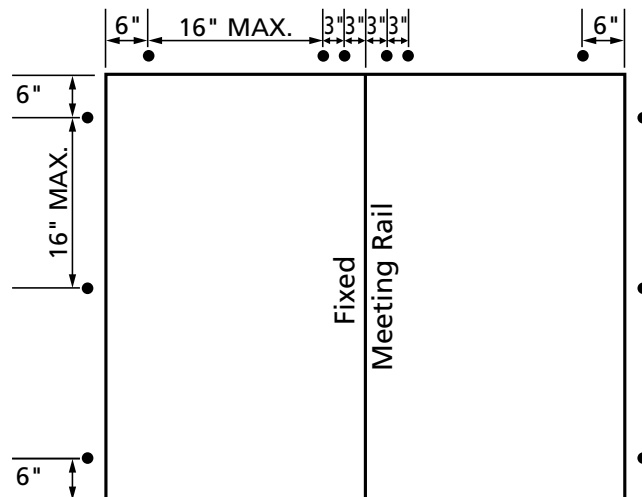
2 PREPARE THE WINDOW FOR INSTALLATION

- A. **Remove packing material** from the window.

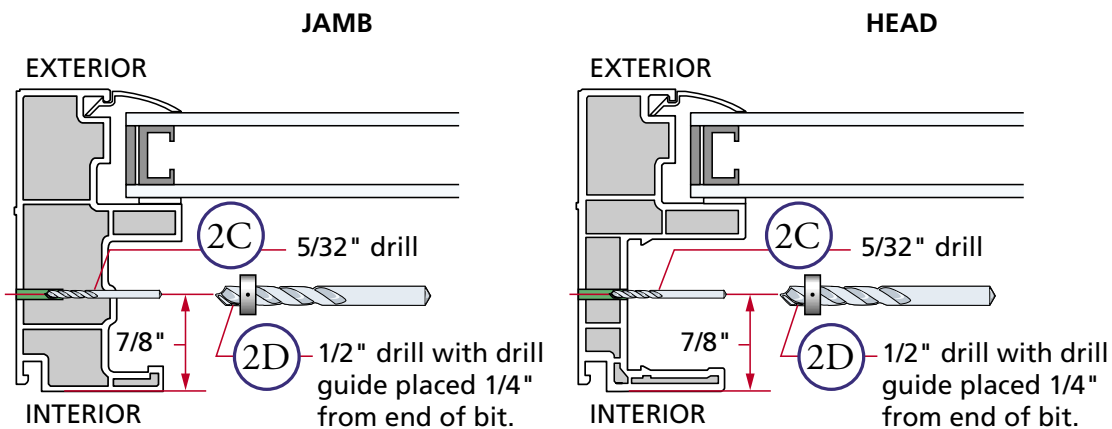
Note: Check product for any crack or penetration in the frame. DO NOT install damaged units.

- B. **Remove the venting sash.** Unlock the window and slide the venting sash open until it clears the anti-lift clip (the anti-lift clip is a security feature that prevents the sash from being removed while the window is closed). Lift up on the sash until the bottom of the sash will clear the bottom track. Tilt the bottom of the sash to the interior, and slide the top of the sash down until it will clear the top track. Set the sash aside in a safe place.

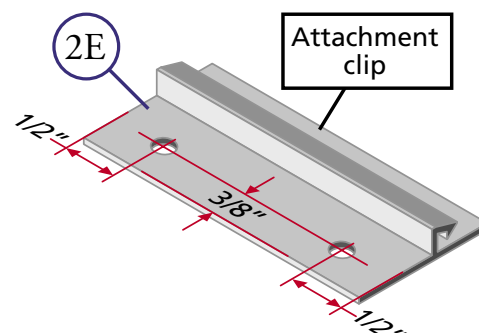
- C. **Drill 5/32" installation screw holes through the frame jambs and head.** DO NOT drill holes through the sill. Measure 7/8" from the interior face of the window and begin 6" from each end. Installation hole spacing at the jambs should not be more than 16" on center. Pre-drill installation holes 3" and 6" on each side of the fixed meeting rail at the head. Installation hole spacing at the head should not be more than 16" on center.



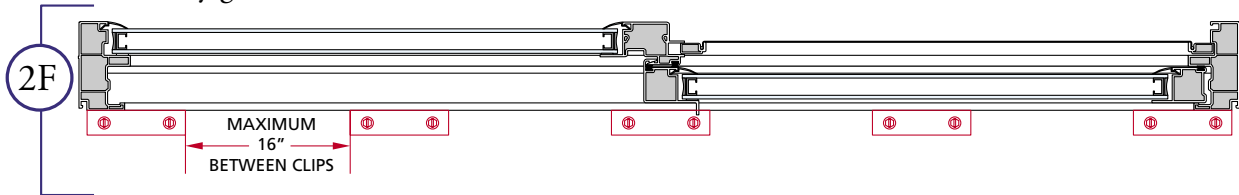
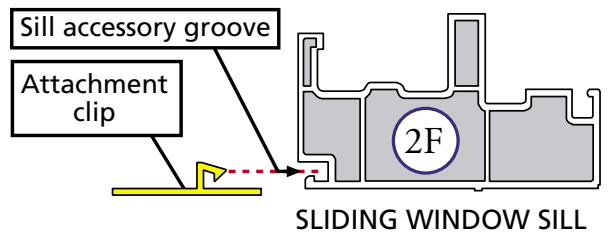
- D. **Counter drill using a 1/2" drill bit with a drill guide** placed 1/4" from the end of the bit. Drill through the first wall only of the frame. DO NOT penetrate the outer wall with the 1/2" bit.



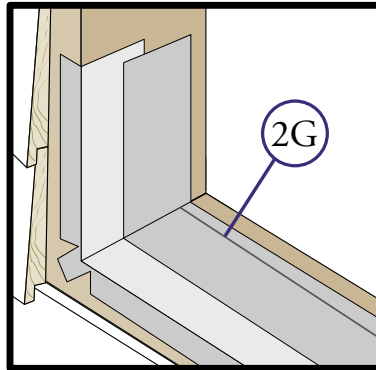
- E. **Pre-drill installation screw holes in the sill attachment clips.** Using a 5/32" drill bit, drill two holes in each clip. The holes should be located 1/2" from each end of the clip and 3/8" from the interior edge of the clip.



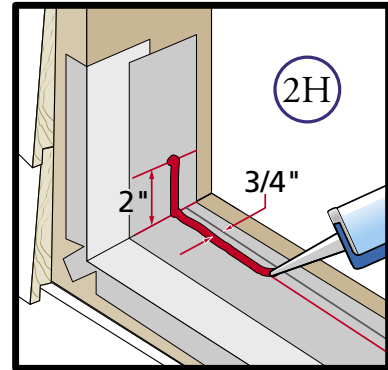
- F. **Install the sill attachment clips** into the sill of the sliding window. Place one clip at each end and place one clip centered at each fixed meeting rail. Place additional clips ensuring the clips are spaced not more than 16" between clips. Use a mallet or hammer to drive the clips into the accessory groove at the sill.



- G. **Dry fit the window into the opening.** At the sill, position the window so that the exterior face of the frame is flush with the exterior surface of the siding or wood trim to allow for the application of backer rod and sealant (see illustrations in Step 4 for sealant details). Place a pencil mark at the interior of the window sill.



- H. **3/4" toward the exterior from the pencil mark,** place a 1/4" thick bead of sealant the complete width of the sill and 2" up each side of the opening.



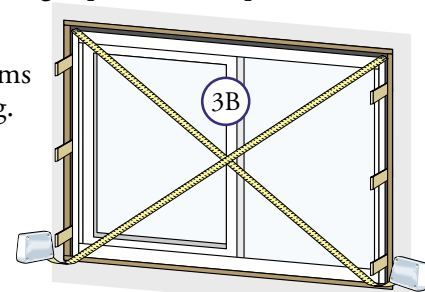
3 SETTING AND FASTENING THE WINDOW

- A. **Place the window into the opening.** Place the window at the top of the opening and align the interior of the window sill with the pencil mark. Slide the window down, pressing the bottom of the window onto the bead of sealant at the bottom opening. Center the window between the sides of the opening to allow clearance for shimming, and insert one #8 x 1-1/4" Phillips pan head stainless steel screw (provided) into each of the top pre-drilled installation screw holes. This will hold the window in place while shimming it plumb and square.

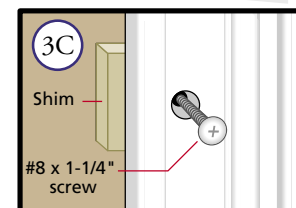
- B. **Place shims at each installation screw hole** between the window head and jambs and rough opening. Adjust the shims as required to plumb and square the window in the opening.

Note: DO NOT shim between the window sill and the rough opening. DO NOT over shim.

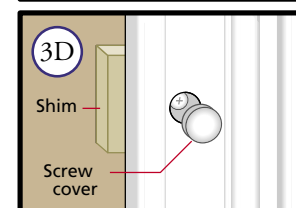
- C. **Drill 5/32" pilot holes** through the head and jamb screw installation holes, and through the shims. DO NOT drill into the wood framing.



- D. **Fasten the window in the opening** by driving #8 x 1-1/4" screws (provided) through the installation holes and the shims and into the wall members. DO NOT over tighten. Over tightening will distort the frame and may interfere with the performance of the window. Fasten the sill by driving #8 x 1-1/4" screws (provided) through the pre-drilled holes in the sill clips.



- E. **Insert a plastic screw cover** (provided) into each installation screw hole in the head. Insert a foam screw cover (provided) into each installation screw hole in the jambs.



F. **Replace the sash and check window operation.**

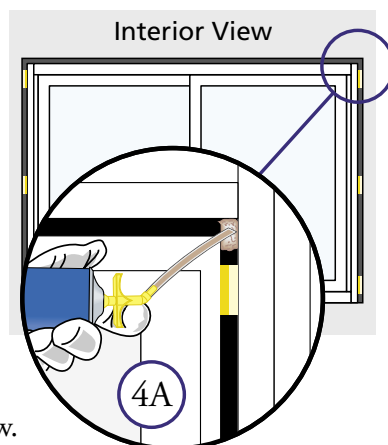
Note: If there are any problems with the operation of the window, recheck shim locations and adjust for plumb and square.

4 INTERIOR SEAL

Caution: Ensure use of low pressure polyurethane window and door insulating foams and strictly follow the foam manufacturer's recommendations for application. Use of high pressure foams or improper application of the foam may cause the window frame to bow and hinder operation.

- A. **Apply insulating foam sealant.** From the interior, insert the nozzle of the applicator approximately 1" deep into the space between the window and the rough opening and apply a 1" deep bead of foam. This will allow room for expansion of the foam and will minimize squeeze out. If using foam other than Great Stuff™ Window and Door Insulating Foam Sealant by the Dow Chemical Company, allow the foam to cure completely (usually 8 to 24 hours) before proceeding to the next step.

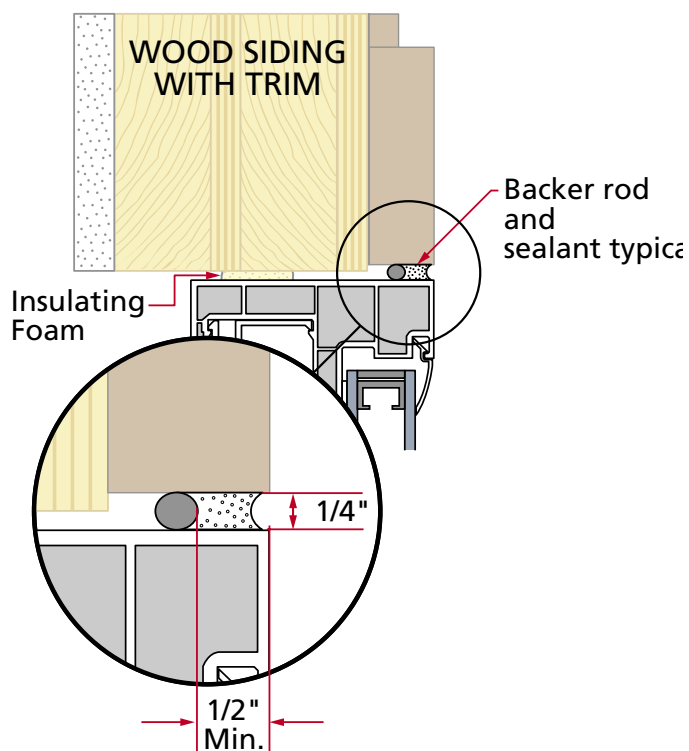
Note: It may be necessary to squeeze the end of the tube with pliers to be able to insert into the space between the window frame and the rough opening. DO NOT completely fill the space between the window frame and the rough opening.



- B. **Check window operation** by opening and closing the window.
Note: If the window does not operate correctly, check to make sure it is still plumb, level, square and that the sides are not bowed. If adjustments are required, remove the foam with a serrated knife. Adjust the shims, and reapply the insulating foam sealant.

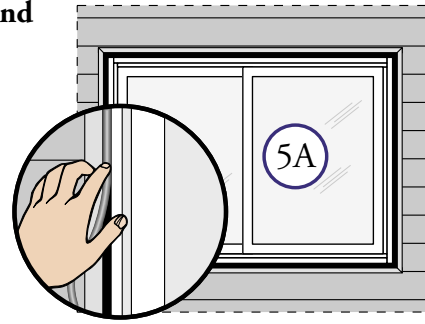
5 SEALING THE WINDOW TO THE EXTERIOR WALL CLADDING

Note: The sealant details shown are standard recommendations from the sealant industry. Contact your sealant supplier for recommendations and instructions for these and any other applications.



- A. **Insert closed cell foam backer rod into the space around the window** as deep as it will go. This should provide at least a 1/2" clearance between the backer rod and the exterior face of the window.

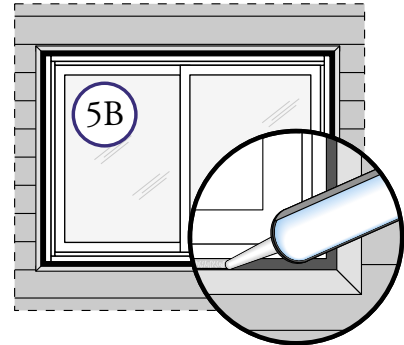
Note: Backer rod adds shape and depth for the sealant line.



- B. **Apply a bead of high quality exterior grade sealant** to the entire perimeter of the window.

- C. **Shape, tool and clean excess sealant.** When finished, the sealant should be the shape of an hourglass.

Note: This method creates a more flexible sealant line capable of expanding and contracting.



CLEANING INSTRUCTIONS

Remove labels and clean the glass, using a soft, clean, grit-free cloth and mild soap or detergent. Be sure to remove all liquid by wiping dry or use a clean squeegee. The vinyl frame may be cleaned as described above. For stubborn dirt, a "non-abrasive" cleaner such as Bon-Ami® or Soft Scrub® may be used. DO NOT use solvents such as mineral spirits, toluene, xylene, naphtha or muriatic acid as they can dull the finish, soften the vinyl and/or cause failure of the insulated unit seal. Keep window tracks clear of dirt and debris. Keep weep holes open and clear of obstructions.

IMPORTANT NOTICE

Because all construction must anticipate some water infiltration, it is important that the wall system be designed and constructed to properly manage moisture. Pella Corporation is not responsible for claims or damages caused by anticipated and unanticipated water infiltration; deficiencies in building design, construction and maintenance; failure to install Pella products in accordance with Pella's installation instructions; or the use of Pella products in wall systems which do not allow for proper management of moisture within the wall systems. The determination of the suitability of all building components, including the use of Pella products, as well as the design and installation of flashing and sealing systems are the responsibility of the Buyer or User, the architect, contractor, installer, or other construction professional and are not the responsibility of Pella.

Pella products should not be used in barrier wall systems which do not allow for proper management of moisture within the wall systems, such as barrier Exterior Insulation and Finish Systems, (EIFS) (also known as synthetic stucco) or other non-water managed systems. Except in the states of California, New Mexico, Arizona, Nevada, Utah, and Colorado, **Pella makes no warranty of any kind on and assumes no responsibility for Pella windows and doors installed in barrier wall systems. In the states listed above, the installation of Pella Products in barrier wall or similar systems must be in accordance with Pella's installation instructions.**

Product modifications that are not approved by Pella Corporation will void the Limited Warranty.

Free Manuals Download Website

<http://myh66.com>

<http://usermanuals.us>

<http://www.somanuals.com>

<http://www.4manuals.cc>

<http://www.manual-lib.com>

<http://www.404manual.com>

<http://www.luxmanual.com>

<http://aubethermostatmanual.com>

Golf course search by state

<http://golfingnear.com>

Email search by domain

<http://emailbydomain.com>

Auto manuals search

<http://auto.somanuals.com>

TV manuals search

<http://tv.somanuals.com>