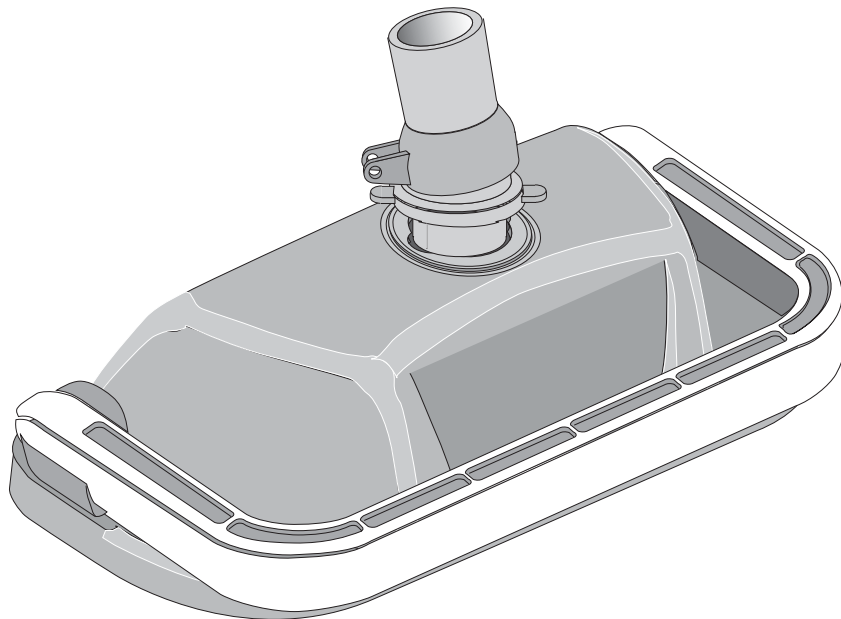




Automatic Pool Cleaner



## Installation and User's Guide

IMPORTANT SAFETY INSTRUCTIONS  
*READ AND FOLLOW ALL INSTRUCTIONS*  
SAVE THESE INSTRUCTIONS

## Technical Support

**Sanford, North Carolina** (8 A.M. to 5 P.M.)

**Moorpark, California** (8 A.M. to 5 P.M.)

**Phone:** (800) 831-7133

**Fax:** (800) 284-4151

**Web sites:** visit [www.pentairpool.com](http://www.pentairpool.com) and [staritepool.com](http://staritepool.com)

Protected by one or more of the following U.S. Patents and all corresponding foreign counterparts:  
U.S. Pat No 5,293,659, 5,303,444, 5,371,910, 5,386,607, 5,469,596, 5,664,275, 5,799,351, and  
5,974,647

© 2007 Pentair Water Pool and Spa, Inc. All rights reserved

**This document is subject to change without notice**

1620 Hawkins Ave., Sanford, NC 27330 • (919) 566-8000  
10951 West Los Angeles Ave., Moorpark, CA 93021 • (805) 553-5000

### **Trademarks and Disclaimers:**

Great White® and Pentair Water Pool and Spa® are registered trademarks of Pentair Water Pool and Spa, Inc. and/or its affiliated companies in the United States and/or other counties. Unless noted, names and brands of others that may be used in this document are not used to indicate an affiliation or endorsement between the proprietors of these names and brands and Pentair Water Pool and Spa, Inc. Those names and brands may be the trademarks or registered trademarks of those parties or others.

PN789 (Rev B) - December 7, 2007

# Contents

<b>Important Safety Precautions .....</b>	<b>ii</b>
<b>Section 1: Overview .....</b>	<b>1</b>
Preparation of your pool .....	2
Cleaner assembly .....	2
Hose Assembly .....	3
<b>Section 2: Installation .....</b>	<b>5</b>
Standard Installation .....	5
Optional Installation .....	8
<b>Section 3: Operation .....</b>	<b>11</b>
Cleaner Operation and Movement .....	11
Clicking sound .....	11
Movement around the pool .....	11
Picks up “big stuff” .....	11
Fine-tuning valves and connections .....	12
Valves (pump, skimmer, and main drain) and vacuum adjustments .....	12
Too much vacuum? .....	12
Not enough vacuum? .....	12
In-Line leaf canisters .....	13
Skimmer connection .....	13
Skimmer vac plates .....	13
Skimmer vac plate vacuum control adjusters .....	13
<b>Section 4: User Maintenance .....</b>	<b>15</b>
Hose Storage .....	15
Disassembly .....	16
Reassembly .....	17
Illustrated Parts List .....	18
<b>Section 5: Troubleshooting .....</b>	<b>19</b>

## IMPORTANT SAFETY PRECAUTIONS



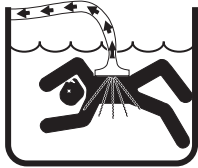
### Important Notice:

**Attention Installer:** This manual contains important information about the installation, operation and safe use of this product. This information should be given to the owner and/or operator of this equipment.

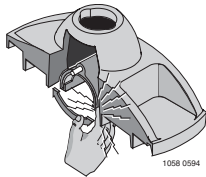
**⚠ WARNING** — Before installing this product, read and follow all warning notices and instructions which are included. Failure to follow safety warnings and instructions can result in severe injury, death, or property damage. Call (800) 831-7133 for additional free copies of these instructions.



**⚠ WARNING** — **Hazardous suction. Can trap and tear hair or body parts. Can cause drowning. Do not play with cleaner or hose or apply to body. Do not let children use or play with pool cleaner. Stop pump before attempting to clean unit.**



**⚠ CAUTION** — **Oscillator may injure hands or fingers. Stop pump before attempting to clean out pool cleaner head.**



**⚠ WARNING** — **Hose can trip or entangle swimmers. Do not allow swimmers in pool while pool cleaner is operating.**

## General Installation Information

### Pre-installation check list

#### Before installing the cleaner in a vinyl liner pool:

Check liner closely for signs of deterioration or damage from age, chemicals, pool wall damage, etc. If any damage is found, have a qualified pool professional make all necessary repairs. Also, if there are stones, roots, etc., under the liner, remove them before installing the cleaner.

#### Before installing the cleaner in a gunite pool or a pool that is partially or completely tiled:

Repair loose tiles and tighten any loose light rings.

#### Before installing the cleaner, clean your filter system:

Make sure you have cleaned the filter, including backwashing, rinsing, and emptying all baskets. A clean system is necessary for proper cleaner operation and coverage.

# IMPORTANT SAFETY PRECAUTIONS (continued)

## General Installation Information (continued)

### Before installing the cleaner, fill the hose with water:

Always make sure the cleaner head is submerged and the hose is full of water before connecting the hose to the filtration system (whether through a skimmer or dedicated wall fitting). Air in the system can damage the pump through dry running and overheating.

### Before installing the cleaner, understand cleaner coverage:

The cleaner is designed to rid your pool of debris in approximately 4-6 hours. Less time could be needed, depending on the pool size.

The cleaner was not designed to automatically clean steps or swimouts or to work under a solar cover. It was also not designed to do initial cleanup for a new pool or when opening your pool for the season.

**⚠ WARNING** — **Suction entrapment, injury, and drowning hazard. If your pool has a dedicated suction port (“vac port”) for vacuuming or for an automatic pool cleaner, it must be covered when not in use.**

A spring loaded safety cover is included with your cleaner. Install it on the suction port to prevent entrapment and injury.

Blank Page

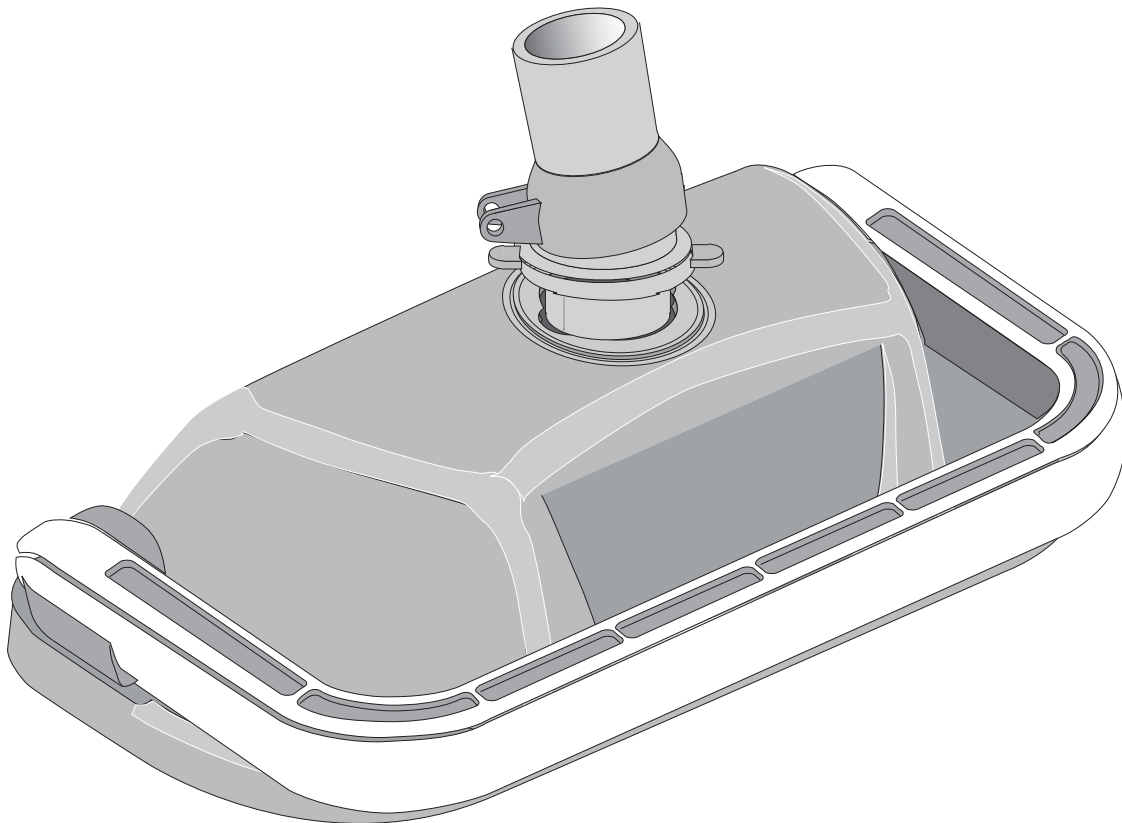
# Section 1

---

## Overview

### Great White Automatic Inground Pool Cleaner

Congratulations on your purchase of the world's best pool cleaner! Nothing quite compares to the Great White's ability to make dirt disappear. With its 15' cleaning path and unique bristle drive, your Great White automatic, inground pool cleaner will deliver fast, complete coverage of your pool.

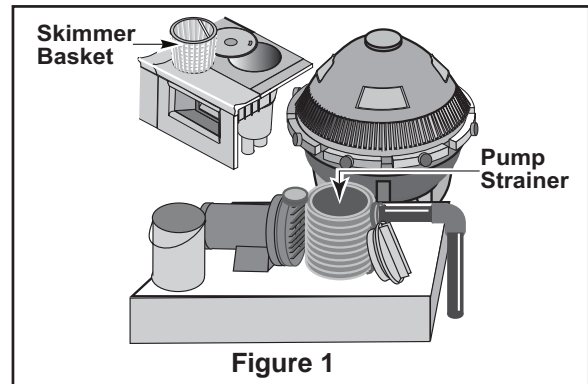


Great White Automatic Inground Pool Cleaner  
Model GW9500

## Preparation of your pool

Before you assemble and install your Great White automatic pool cleaner, you should make sure that your pool is clean and free of algae. If necessary, make the following preparations before proceeding.

- Chemically balance the pool water
- Brush the pool and let the debris settle
- Hand vacuum the pool thoroughly
- Clean the filter and pump strainer basket (Figure 1)

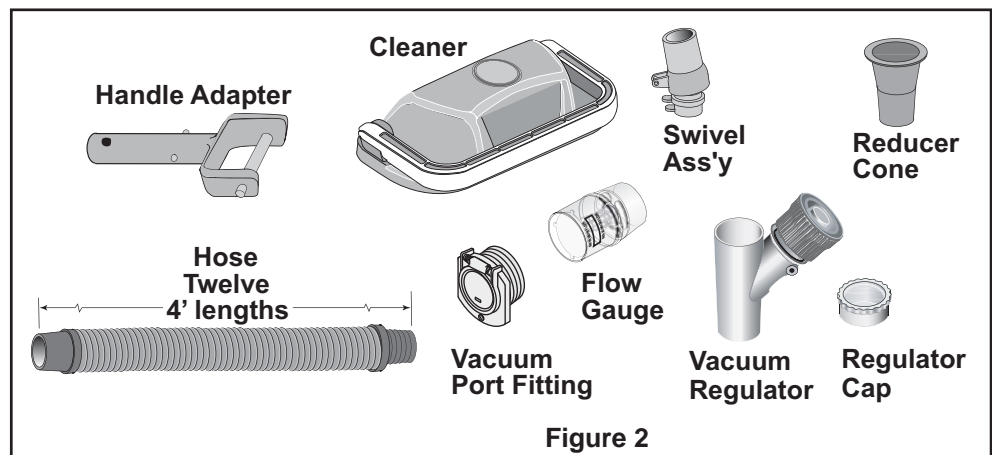


## Cleaner assembly

### 1. Check parts

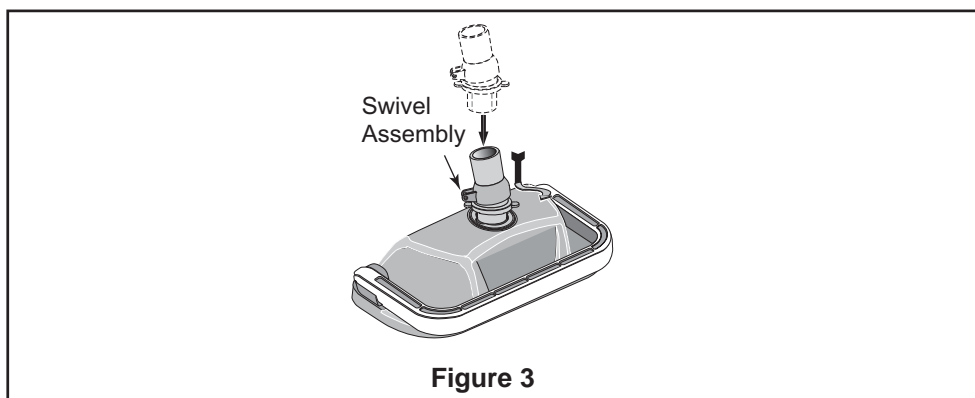
Remove Great White and all of its parts from the box and check to make sure that all components were included (Figure 2).

- Cleaner
- Swivel Assembly
- Handle Adapter
- Reducer Cone
- Hose: Twelve 4' lengths
- Vacuum Regulator
- Regulator Cap
- Vacuum Port Fitting
- Flow Gauge



### 2. Attaching swivel assembly to cleaner head

Installing the swivel assembly is a snap. Just insert it into the cleaner body and give it a quarter turn (Figure 3). If you attach a unidapt handle to the swivel for manual vacuuming, be sure it is the special, floating unidapt handle provided with the cleaner (Replacement Part No. GW9019). Use of a different unidapt handle will hinder the cleaner's performance.

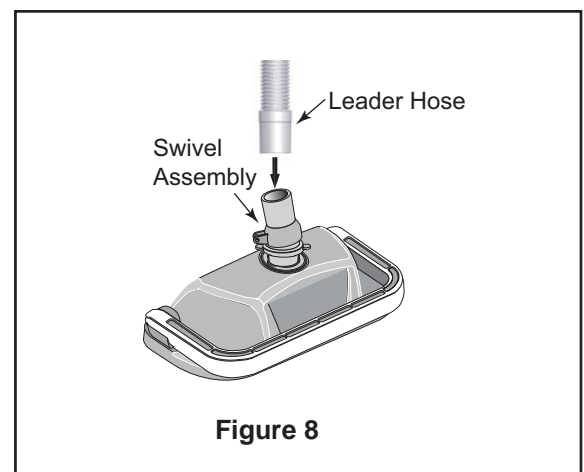
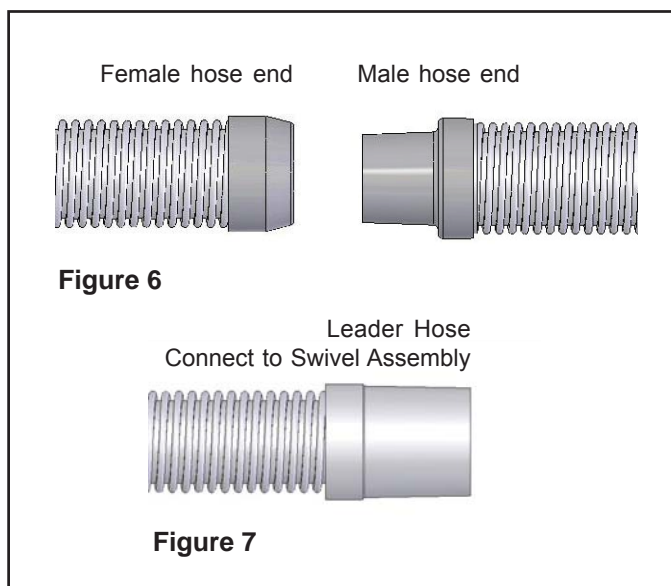
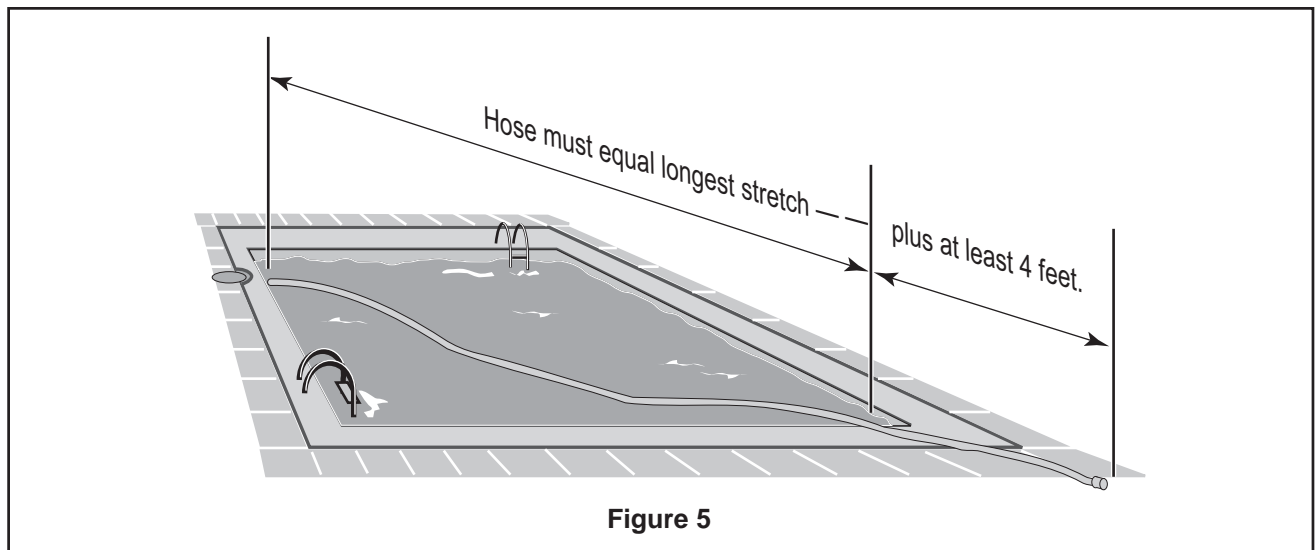
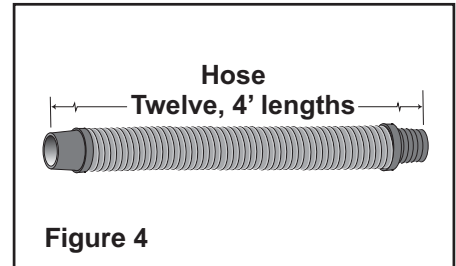




## Hose Assembly

### Assemble the hose

The unit includes twelve sections of hose, each 4 feet (4') in length (Figure 4). **Do not cut the hose lengths.** You will need to connect these 4' sections of hose to create a combined hose length that is at least 4' longer than the distance from your suction source (whether skimmer or dedicated suction line) to the farthest point in the pool (Figure 5). Connect the hoses by twisting and pushing the female ends onto the male ends after wetting the ends in the pool (Figure 6). A special "leader" hose section is designed to connect to the cleaner's swivel assembly and therefore has a larger hose cuff than the other hose lengths (Figures 7 and 8). Failure to use this leader hose section to attach the hose to the cleaner's swivel assembly will hinder your cleaner's performance. If additional hose is needed, use only hoses from your Pentair Water Pool and Spa dealer (order replacement part No. 41200-0131). Use of another manufacturer's hose will hinder cleaner coverage.



Blank Page

## Section 2

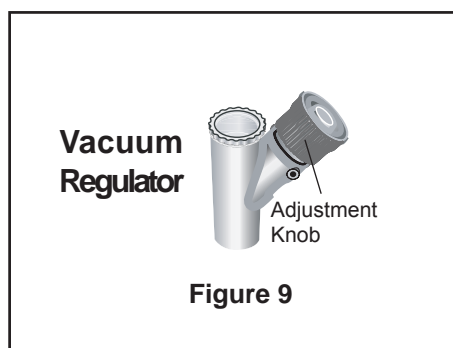
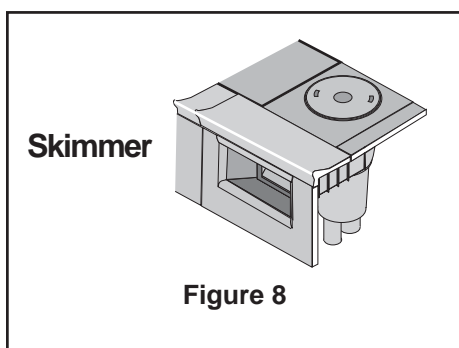
# Installation

This section describes how to install the Great White pool cleaner. Great White is designed to work in a wide variety of swimming pools. Both the standard in-skimmer installation and optional vac port installation are covered below. If your pool configuration is unlike any of the examples, contact your Pentair Water Pool and Spa dealer for assistance, or call our toll-free Customer Helpline at 1-800-831-7133.

### Standard Installation

#### For pools with one skimmer, using the vacuum regulator

- The manufacturer recommends the **Standard Installation** through the pool's skimmer (Figure 8). The advantage of this installation is its use of the vacuum regulator (Figure 9) to balance the water flow between the skimmer and the Great White pool cleaner. The vacuum regulator can be adjusted to changes in the amount of water flow to provide Great White with the power necessary to ensure proper cleaning performance, and the manufacturer strongly recommends its use for maximum safety and performance.



#### 1. Turn the pool pump off

#### 2. Adjust valves for vacuuming

Adjust the pump valves (if your system has valves) to direct all suction to the skimmer. Close the main drain and all suction lines, except the line from the skimmer to which Great White will be connected.

#### 3. Remove the skimmer basket from the skimmer

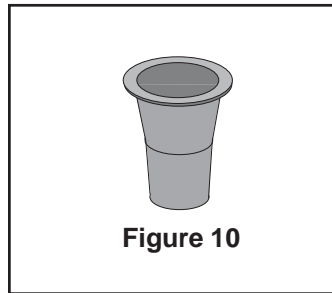
#### 4. Install vacuum regulator

**⚠ WARNING! Hazardous suction. Can cause entrapment with severe personal injury or drowning.**

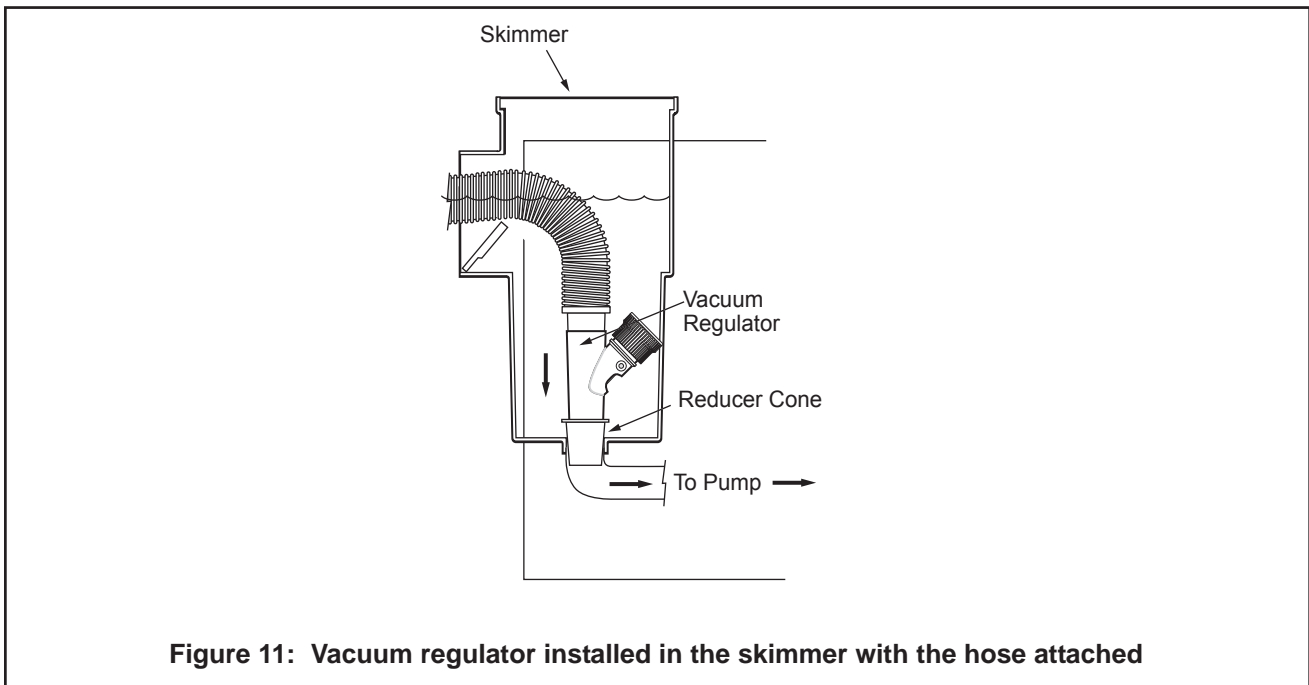
Use the vacuum regulator in conjunction with your pool cleaner system at all times. The vacuum regulator has an adjustment knob (Figure 9). If suction is too high, the knob is turned counterclockwise to decrease the suction. If the suction is too low, the knob is turned clockwise to increase the suction.

## Standard Installation (Continued)

The vacuum regulator must be installed in conjunction with the reducer cone (Figure 10). The reducer cone is required to make most skimmer connections. It will keep the hose and vacuum regulator in place once the filter system is stopped.



To install the vacuum regulator, insert the vacuum regulator and reducer cone in the skimmer. Attach the end of the hose to the regulator (Figure 11).



Make sure the vacuum regulator is submerged at all times. If not, the pump will suck air through the vacuum regulator and lose prime. This could damage the pump.

## Standard Installation (Continued)

### 5. Check Flow

With the main drain closed, and one end of the hose attached to the regulator installed in the skimmer, insert the flow gauge into the other end of the hose. Keep the hose and flow gauge underwater. Turn on the pump. With the pump running, adjust the vacuum regulator (in your skimmer) until the indicator on the flow gauge is between minimum and maximum flow (Figure 12). Remove the flow gauge and proceed to step 6.

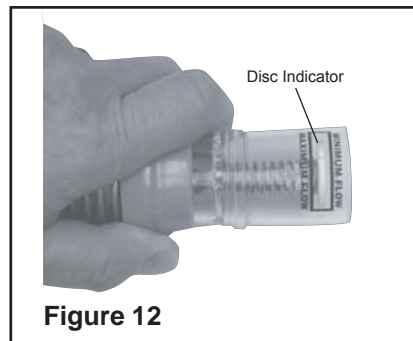


Figure 12

### 6. Connect Hose to the Cleaner's Swivel Assembly

Connect the large hose cuff (Figure 13) of the leader hose to the swivel assembly on the cleaner head (Figure 13). Push the cleaner into the pool and let it sink to the bottom (Figure 14).

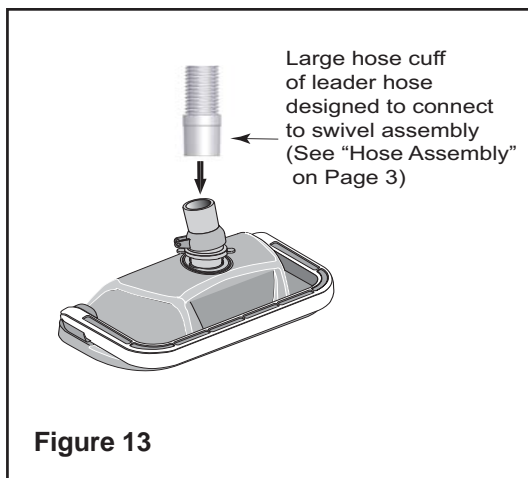


Figure 13

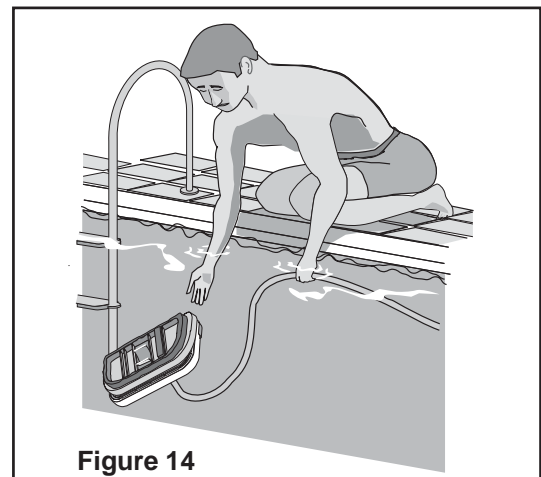


Figure 14

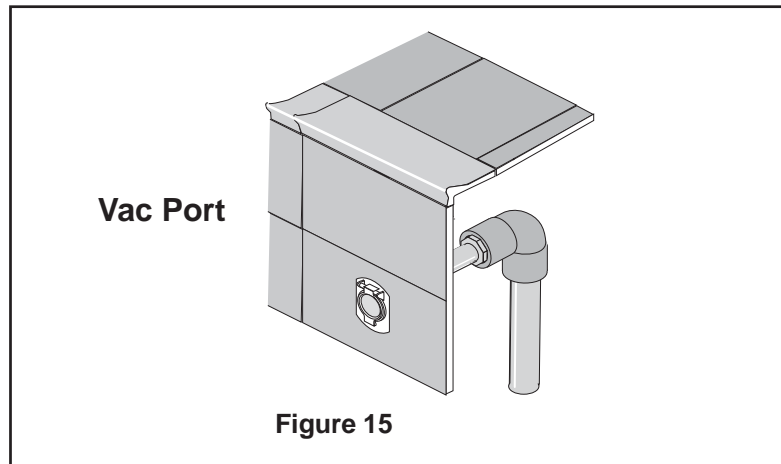
### 7. Turn the pool pump on

After completing the installation, turn the pool pump on and allow it to run for a couple of minutes to ensure that all air cycles out of the system.

## Optional Installation

### Vac Port Installation with Vacuum Regulator in Skimmer

- If your pool has a vac port (Figure 15), you can install Great White using the **Optional Installation**.



#### 1. Turn the pool pump off

#### 2. Adjust valves for vacuuming

Adjust the pump valves (if your system has valves) to direct all suction to the dedicated vacuum line and the skimmer. Close the main drain and all suction lines, except the line from the dedicated vacuum line to which Great White will be connected, and the skimmer where the vacuum regulator will be installed.

#### 3. Install vac port door fitting

**⚠ WARNING! Suction entrapment, injury, and drowning hazard. If your pool has a dedicated suction port (“vac port”) for vacuuming or for an automatic pool cleaner, it must be covered when not in use.**

A spring loaded safety cover (the “vac port fitting”) is included with this pool cleaner (Figure 16). Install it on the dedicated vacuum line to prevent entrapment and injury. For details please refer to the Vac Port Instruction sheet included with your vac port fitting. To install the included vac port fitting:

1. Screw the vac port fitting into the dedicated vacuum line opening.
2. Orient the vac port fitting so the arrow on the door points up.
3. Secure the cover by tightening the allen-screw below the door, into the dedicated vacuum line fitting.

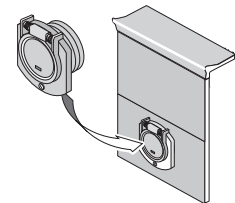


Figure 16

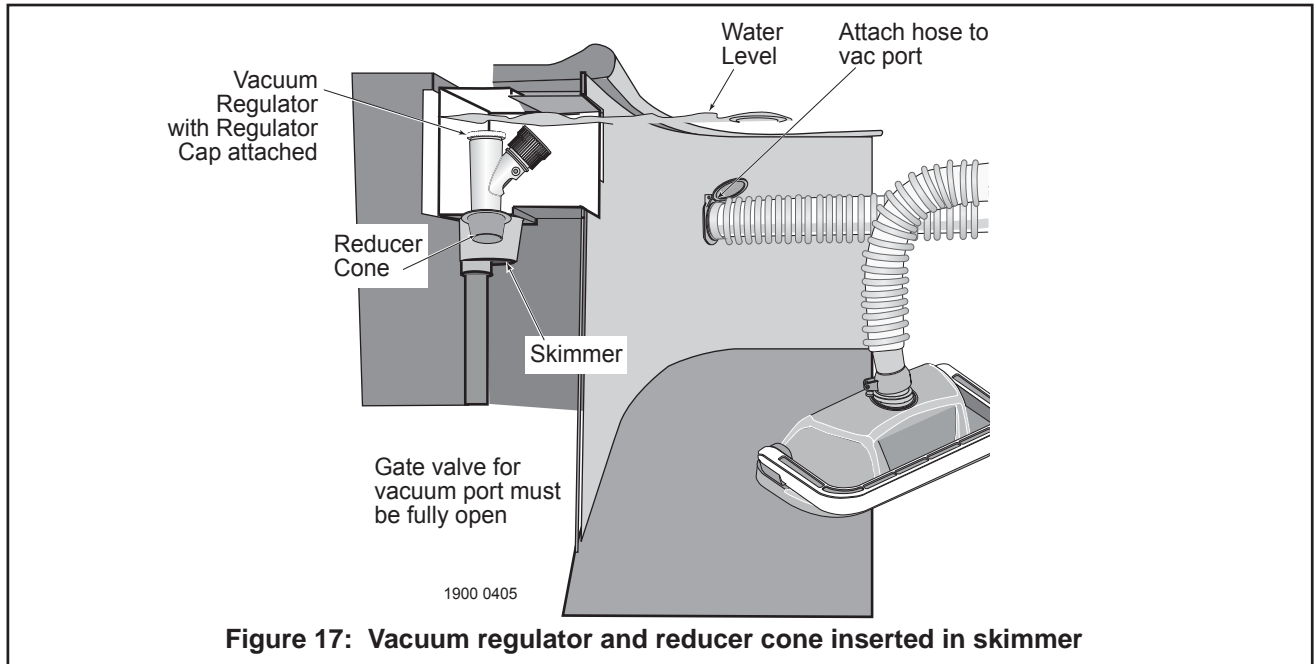
#### 4. Remove the skimmer basket from the skimmer

## Optional Installation (continued)

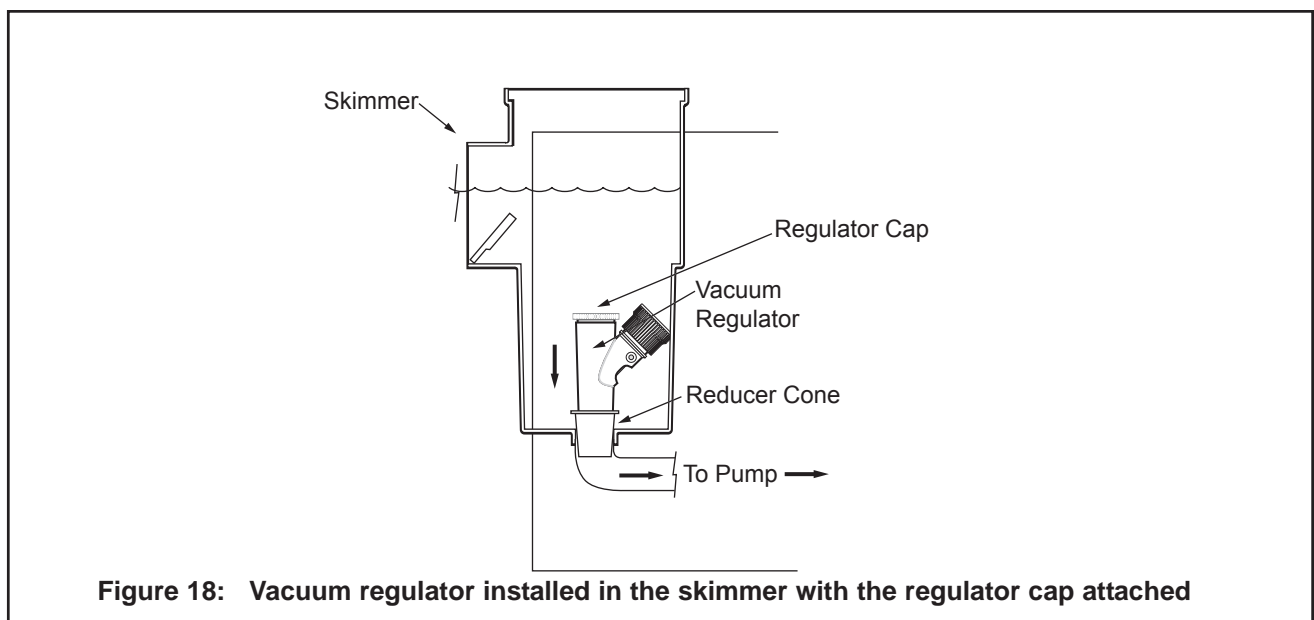
### 5. Install vacuum regulator

**⚠ WARNING! Hazardous suction. Can cause entrapment with severe personal injury or drowning.**

To install the vacuum regulator, insert the vacuum regulator and reducer cone in the skimmer (Figure 17).



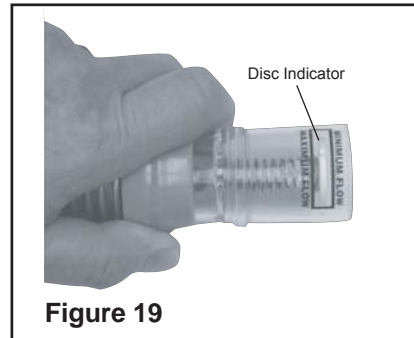
To prevent water from flowing through the top of the vacuum regulator, attach the regulator cap to the vacuum regulator (Figure 18). Attach the end of the hose to the vac port fitting installed in the dedicated vacuum line (Figure 17).



## Optional Installation (Continued)

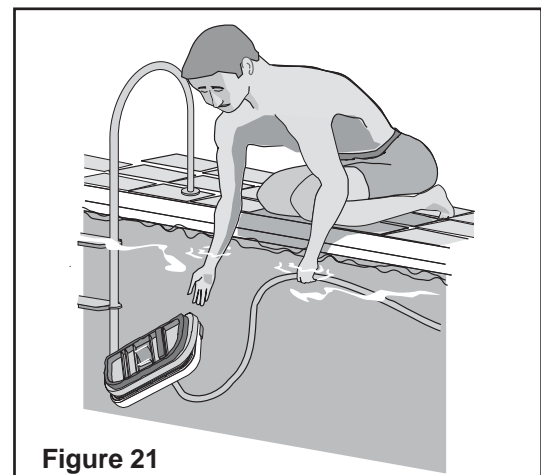
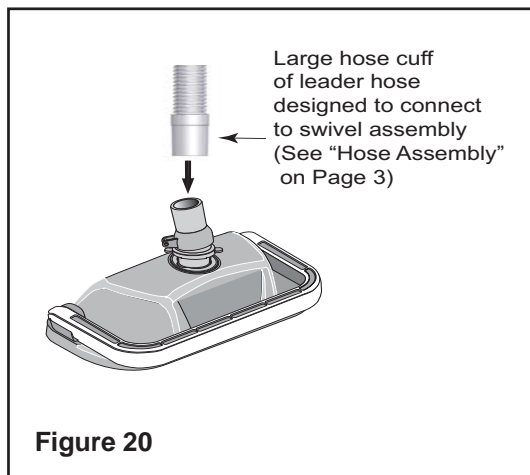
### 6. Check Flow

With the main drain closed, and one end of the hose attached to the vac port fitting installed in the dedicated vacuum line, insert the flow gauge into the other end of the hose. Keep the hose and flow gauge underwater. Turn on the pump. With the pump running, adjust the vacuum regulator (in your skimmer) until the indicator on the flow gauge is between minimum and maximum flow (Figure 19). Remove the flow gauge and proceed to step 7.



### 7. Connect Hose to the Cleaner's Swivel Assembly

Connect the large hose cuff (Figure 20) of the leader hose to the swivel assembly on the cleaner head. Push the cleaner into the pool and let it sink to the bottom (Figure 21).



### 8. Turn the pool pump on

After completing the installation, turn the pool pump on and allow it to run for a couple of minutes to ensure that all air cycles out of the system.



# Section 3

---

## Operation

This section contains information describing the movement and operation of your Great White Cleaner, as well as tips for “fine-tuning” your pool’s valves and connections to optimize Great White’s cleaning ability.

### Cleaner Operation and Movement

#### Clicking sound

This is the sound of the oscillator moving back and forth in the oscillator chamber. The best speed for it is about 500 oscillations per minute. The vibration created by the oscillator moves the bristles and the cleaner. If the oscillator is running too fast, the cleaner will have a tendency to climb up the pool wall past the waterline, or “walk out of the pool” and suck air. Reduce the speed by adjusting the vacuum regulator in the skimmer.

#### Movement around the pool

**Random motion** – The cleaner will visit most spots in the pool within a six (6) hour period. It is not specifically programmed, and cannot see the dirt you are seeing. It is a random motion pattern.

The cleaner was designed to spend most of its time in the deep end, where most of the floor and wall area exists. During a six (6) hour period, the cleaner will visit the shallow end a few times.

**Rotating motion** – The cleaner will rise up on one side and pivot a few times per minute. This is normal and provides the following:

1. Allows leaves that are being pushed or dragged along to be sucked up into the vacuum chamber.
2. Allows the cleaner to:
  - Change direction
  - Get out of corners
  - Get away from ladders
  - Submerge below pool water level
  - Get off of domed main drain covers

#### Picks up “big stuff”

The cleaner will pick up some debris so large that it may jam. Simply stop the pump and remove the debris from the oscillator, or the swivel assembly.

## Fine-tuning valves and connections

**⚠ WARNING! Pool pump suction is hazardous and can cause entrapment with severe personal injury or drowning.** Use vacuum regulator (see instructions below) in pool cleaner system at all times.

**NOTICE:** Each pool's hydraulic system and vacuum connections are different. Be sure you have installed the vacuum regulator before you "fine-tune" the system. This not only regulates vacuum, but also acts as a safety device.

**⚠ WARNING! Suction entrapment, injury, and drowning hazard. If your pool has a dedicated suction port ("vac port") for vacuuming or for an automatic pool cleaner, it must be covered when not in use.** A spring loaded safety cover (the "Vac Port Fitting") is included with this pool cleaner. Install it on the vac port to prevent entrapment and injury. For details please refer to the Vac Port Fitting instruction sheet included with your cleaner.

For the novice pool owner for whom pool vacuuming is a new experience, please read all of the following points, installation instructions, and trouble shooting guide carefully.

Please note the following:

- "Vacuum" and "suction" are two words meaning the same thing.
- "Dedicated suction line", "vac port", and "vac fitting" are different terms for a hole in the side wall of pool; this hole is connected to the pump suction and is dedicated to vacuuming.
- Some pools do not have a vac port. If your pool does have one, please read the "Suction Entrapment" warning above.

For the seasoned pool owner: The automatic pool cleaner connection and vacuum adjustments can be similar to using your manual pool vacuum. Please read on.

### Valves (pump, skimmer, and main drain) and vacuum adjustments

You may need to spend some time adjusting the skimmer and main drain valves in order to obtain the best vacuum setting for good cleaner operation. Once you have found the correct valve settings for best operation, we suggest you mark the valves to ensure repeated success.

At first, set valves to give maximum vacuum to the skimmer or vac fitting you have elected to use.

### Too much vacuum?

You have too much vacuum if the cleaner climbs up the pool wall past the water line to the point that the cleaner sucks air and the pump loses prime. Frequent loss of prime will damage the pump. To correct this, adjust the regulator by turning the adjustment knob counterclockwise. This will decrease the suction. If the cleaner still climbs out and sucks air, open the main drain valve slightly.

## **Fine-tuning valves and connections (continued)**

### **Not enough vacuum?**

You don't have enough vacuum if the cleaner moves sluggishly or not at all. Be sure the filter system is clean and the regulator and all valves are adjusted to give you maximum vacuum. If the cleaner is still not moving, your pump may not be strong enough to operate the cleaner. Please refer to "Troubleshooting" on Page 17.

### **In-Line leaf canisters**

If your pool is exposed to large quantities of leaves, we suggest purchasing and installing an in-line leaf canister (part no. R211084K). A leaf canister will provide more debris-loading capacity and also provides a water by-pass when the canister is full. It is very important that the pump not starve for water!

### **Skimmer connection**

For pools that have large quantities of "big stuff" to pick up, we suggest using the bottom of the skimmer connection in conjunction with an in-line leaf canister (part no. R211084K). A leaf canister will provide more debris-loading capacity and also provides a water by-pass when the canister is full. It is very important that the pump not starve for water!

### **Skimmer vac plates**

Some pool owners connect the hose to a skimmer vac plate, which allows the skimmer basket to remain in the skimmer. If this method is used, empty the basket frequently. Also make sure that the vacuum regulator provided is completely submerged so that it will not suck air and damage the pump.

### **Skimmer vac plate vacuum control adjusters**

Some pool owners use one of a variety of manufacturer's skimmer vac plates. Some have a vacuum control adjuster, and some do not. The adjuster could be a screw-type, a spring loaded apparatus, or a dial design. For those vac plates with adjusters, it is important to adjust them when fine tuning the vacuum for the cleaner.

Blank Page

## Section 4

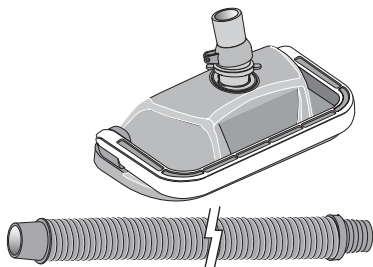
# User Maintenance

This section describes the service and maintenance of the Great White cleaner.

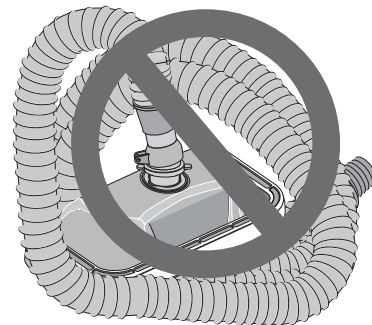
**⚠ WARNING! Hazardous suction. Stop pump before attempting to clean pool cleaner.**

- Keep skimmer basket and pump strainer basket clean and free of debris.
- If cleaner jams with large debris (leaves, sticks, etc.), try cleaning debris first from bottom of unit. If this doesn't clear unit, remove top swivel assembly (turn 1/4 turn) and clear the debris from the top.
- Remove the pool cleaner from the pool before super chlorinating (shocking) or chemical balancing. Wait at least four hours after the chemical procedure before reinstalling the cleaner.
- Make sure that the cleaner's brush bristles don't become deformed during storage. Store the unit so that it doesn't sit on the bristles and so that nothing compresses them.
- **Do not coil the hose.** Remove the hose from the cleaner when removing the cleaner from the pool. Store the hose flat and straight.
- Periodically examine bristles and vacuum skirt for wear or distortion. Replace if necessary. See "Reassembly", Page 15.
- Don't store the cleaner with the hose connected to the cleaner body or with the hose coiled. To do so will cause the hose to take a set or kink over a period of time. When reinstalled in the pool, the hose will tend to stay coiled and will cause the cleaner to malfunction.
- If the hose has taken a set, uncoil it as far as possible without damaging it and lay it out in the sun for several hours to straighten itself. Once it has relaxed and straightened out, store it laid out flat and straight (no coiling).
- Make sure the lift brush is retracted during storage. If the lift brush is down during storage and the cleaner rests on it, the brush bristles will collapse over time and the cleaner will no longer turn during operation as it was designed to do.

### Hose Storage



**Correct:** Hose stored correctly – laid out straight, not connected to cleaner.



**Wrong:** Storing cleaner with hose connected will damage hose and void the hose warranty.

## Disassembly

1. Remove swivel assembly (Figure 22) from the top of the cleaner by turning it 1/4-turn counterclockwise and pulling straight up on it.
2. Turn cleaner upside down. Remove 4 screws and remove lower body assembly from shroud.
3. Turn lower body assembly right side up. Unsnap the 2 clips on the oscillator chamber cap (Figure 23a); lift it off.
4. Pull the long gear shaft straight up (Figure 23a) by the blocks on the ends of the shaft. Hold the seals in the oscillator and the blocks on the shaft. The cam may interfere with the shaft mounting post; if so, turn it slightly on the shaft until it clears the post. The shaft assembly can now be disassembled (Figure 23b).
5. Slide the long gear shaft out of the oscillator (with gears, complete); make sure that you don't lose the seals out of the oscillator which may fall out at this point (Figure 23b).
- 5A. Oscillator seals are replaceable.
- 5B. Ratchet gear set and long shaft are replaceable as a unit.
6. Remove the set screw, short gear shaft, and gears (Figure 24); be sure to keep the gears on.
7. With a small screwdriver (such as a jeweler's screwdriver), a pencil, or a pen point, depress and remove the coil spring from the lift brush mounting post (Figure 25). Replace the brush and the spring if necessary.
8. The metal ratchet tab slides out of its slot sideways; replace it by removing the center brushes and sliding in a new ratchet tab until it is flush with the edge of plastic holder (Figures 26 and 27). Replace the center brushes.
9. The brush ring pops out of the cleaner body for easy replacement.
10. If you need to replace the bumper, turn the shroud and bumper assembly upside down and remove the two screws holding the bumper to the shroud.

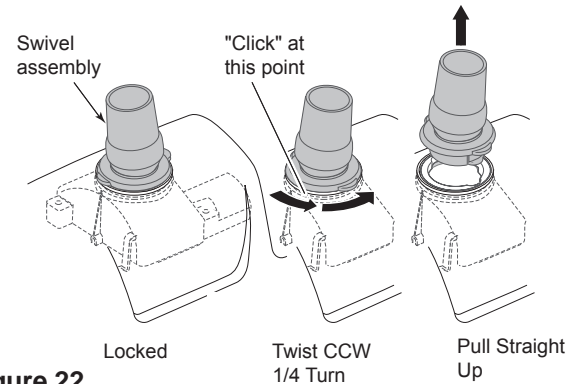


Figure 22

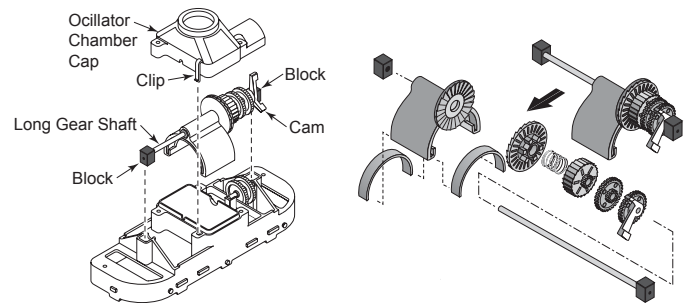


Figure 23a

Figure 23b

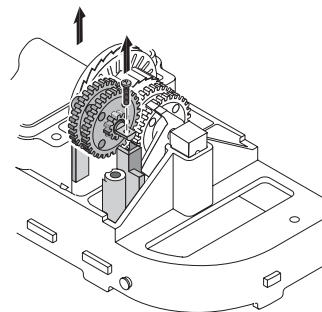


Figure 24

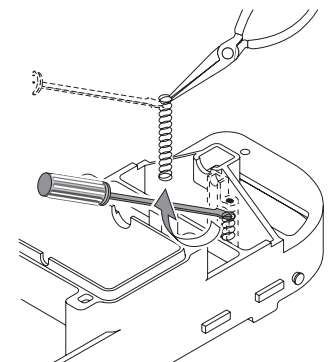


Figure 25

1. Slide metal ratchet tab toward end of cleaner body

2. Slide metal ratchet tab down through cleaner body

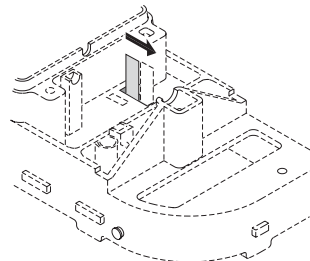


Figure 26

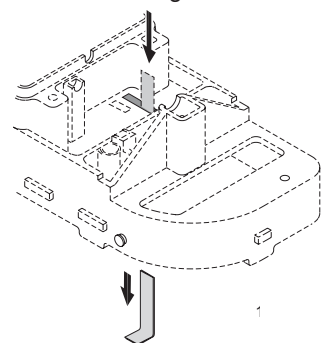


Figure 27

## Reassembly

1. Put both white seals in the oscillator; hold them in place.
2. Install the oscillator on the long gear shaft. Install the ratchet gear on the shaft so that the teeth engage the ratchet on the oscillator. Install the spring, ratchet drum, pinion gear (large gear first), and cam (gear end first) on the shaft (See Figure 28). Hold the gears on the shaft while installing them, and compress the clutch spring to allow assembly to slip into place between the posts (See Figure 28).
3. Install the long gear shaft and end blocks in the cleaning head with the large arm of the cam down (see Figure 29).
4. Reinstall the short gear shaft, set screw and two gears (See Figure 30); the small pinion gears and the shaft set screw go on the side toward the end of the cleaner – away from the oscillator box. Make sure that the gears engage the gears on the long gear shaft.
5. Install the oscillator chamber cap and clip it in place.
6. Install the rubber vacuum skirt on the cleaner with the word 'OUTSIDE' showing. Start at the large pin on the back of the cleaner head (see Figure 31) and work around the cleaner. Make sure the skirt is flush against the stop strips on the cleaner head (see Figure 32).
7. Turn the cleaner over. If you removed the bumper and brush ring, replace them now.
8. Install the lower body assembly in the shroud. Fasten the cleaning head in place with 4 screws (2 long, 2 short – see Figure 33).

NOTE: Make sure that you do not dislodge the rubber vacuum skirt while inserting the lower body assembly past the brush ring.

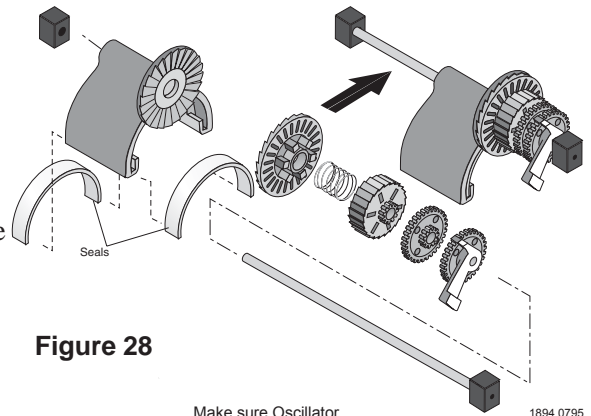


Figure 28

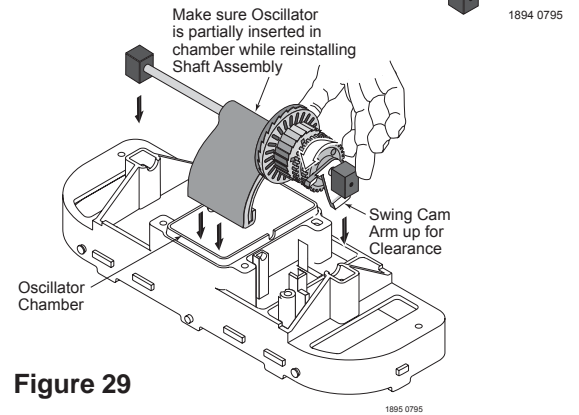


Figure 29

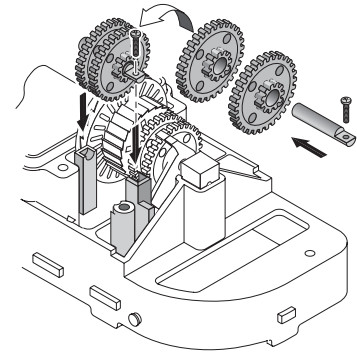


Figure 30

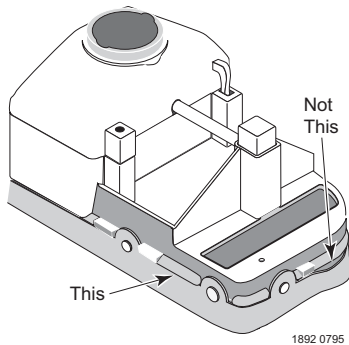


Figure 32

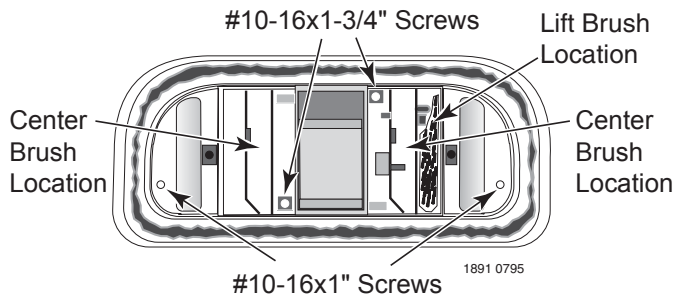


Figure 33 Bottom View of Cleaner

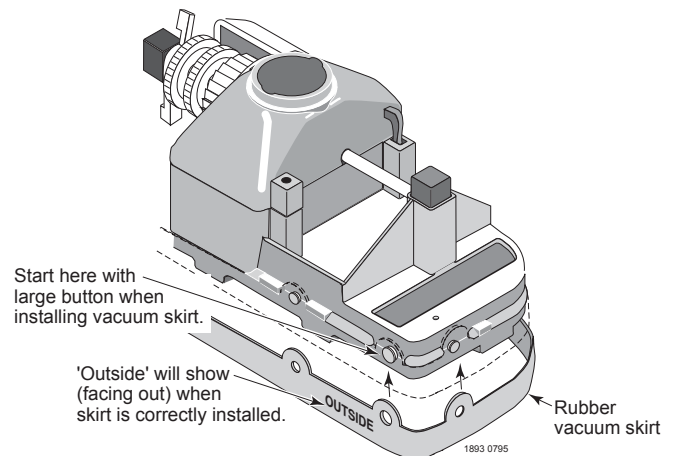
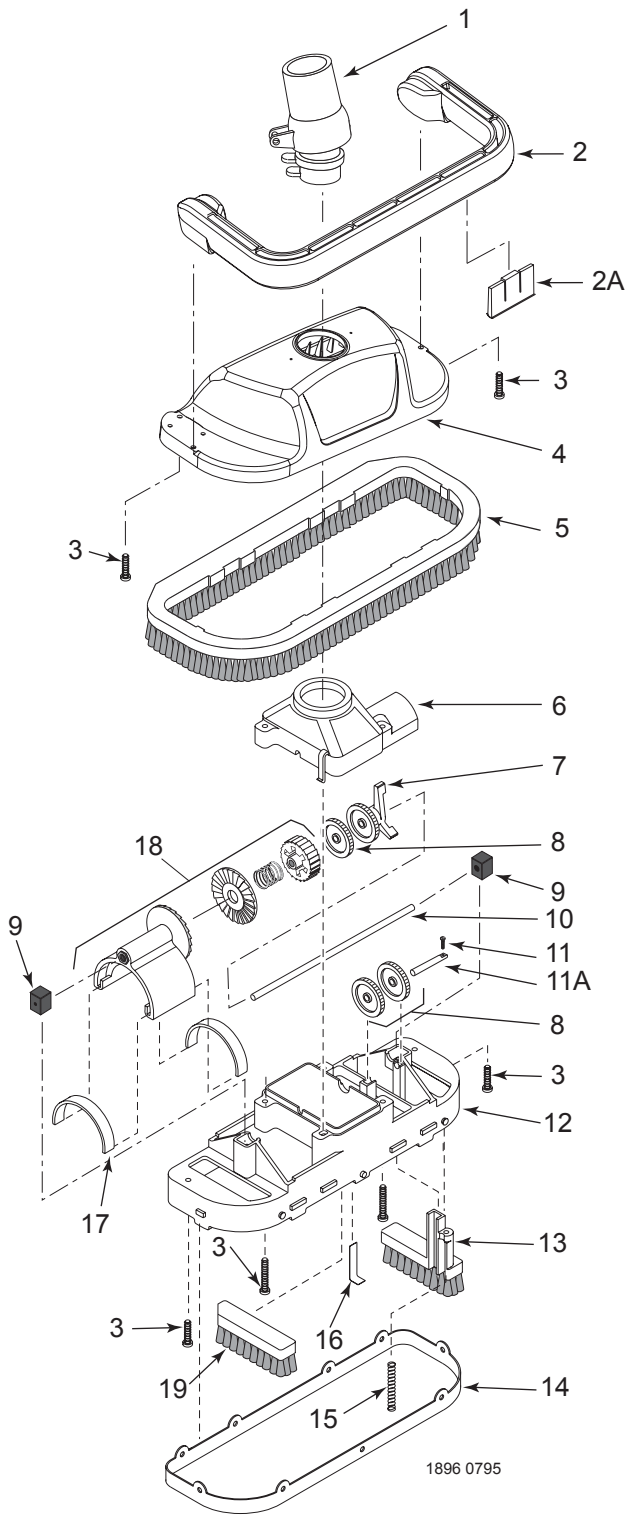


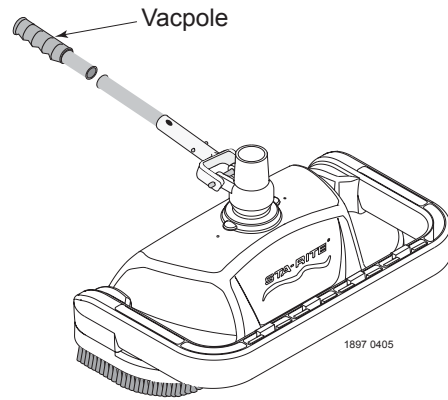
Figure 31



# Illustrated Parts List



## Optional Accessories



Key No.	Description	Part No.
1	Swivel Assembly	GW9012
2	Bumper	GW9502
2A	Bumper Insert Kit (Set of 4)	GW9520
3	Screw Kit (4 short, 2 long)	GW9504
4	Shroud	GW9501
5	Brush Ring	GW9505
6	Oscillator Chamber Cap	GW9506
7	Cam Kit (2 & 3 Leg Cams)	GW9507
8	Idler Gear Kit (Incl. 3 Gears)	GW9509
9	Block Kit (Incl. 2 Blocks)	GW9512
10	Long Gear Shaft (Stainless Steel)	GW9513
11	Set Screw #4 Self Tapping##	
11A	Shaft Kit, Stainless Steel (includes Set Screw)	GW9536
12	Lower Body*	GW9535
13	Lift Brush	GW9517
14	Vacuum Skirt	GW9508
15	Lift Brush Spring	GW9522
16	Ratchet Tab (Stainless Steel)	GW9523
17	Oscillator Seal Kit (Incl. 2 Seals)	GW9004
18	Oscillator Assembly Kit (Incl. Key #17) (Ratchet Assembly not sold separately)	GW9503
19	Center Brush Kit (Set of 2)	GW9013
	• Hose Kit, 12 sections, each 4 ft in length	41200-0131
	• Vacuum Regulator	41200-0200
	• Vacuum Regulator Cap	41200-0211
	• Reducer Cone	GW9015
	• Unidapt Handle	GW9019
	• Vac Port Fitting	GW9530
	• Flow gauge	41200-0210

\* Not Illustrated

\* Includes Key Nos. 6, 11A, 13, 15, 16, two idler gears and 2-arm cam

## Not available separately



# Section 5

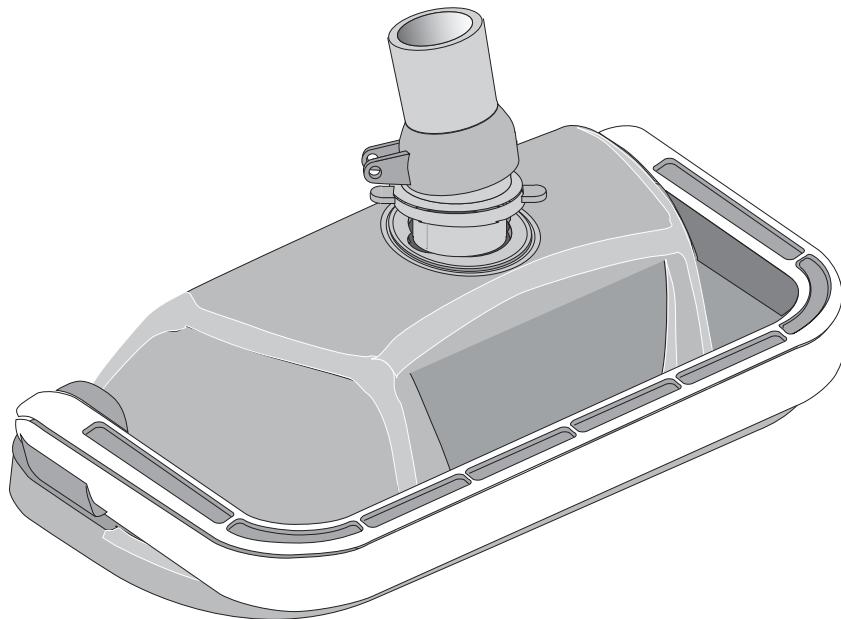
## Troubleshooting

SITUATION	SOLUTIONS:
<b>Cleaner does not move Oscillator is very slow</b>	<ol style="list-style-type: none"> <li>1. Backwash and/or clean filter. Empty all baskets. This should help your cleaner attain the desired oscillation rate of 400-600 times per minute.</li> <li>2. Clear all debris from oscillator chamber, hose, or vac plate by-pass (if you have one).</li> <li>3. Repair all sources of vacuum leaks (cracked vac plate, vac plate or reducer cone not seated properly, cracked hose, vac regulator adjusted too loosely).</li> <li>4. Adjust valves to give maximum vacuum to the vacuum port or skimmer to which you are attaching the cleaner hose. Reduce or shut off other skimmers and main (floor) drain. Note: Each pool's hydraulic system is different. It may require some adjustments to skimmer and main valves before you achieve the vacuum setting required for the best cleaner operation. Once determined, mark the valves at that position to ensure repeated success.</li> <li>5. Filtration system (pump) does not develop enough vacuum. Consult your pool service professional.</li> <li>6. In hot water, the hose may kink. The hose, when old, may have developed leaks (cracks or holes) or may get brittle. Purchase a new hose. <b>NOTE:</b> It must be a Great White hose for proper operation.</li> </ol>
<b>Cleaner climbs past water line of pool causing pump to lose prime (suck air.)</b>	<ol style="list-style-type: none"> <li>1. Oscillator is running too fast. Make sure vacuum regulator is installed and adjusted.</li> <li>2. If step 1 does not solve the problem, slightly open the main drain valve until the cleaner no longer climbs out of the pool.</li> </ol>
<b>Cleaner coverage not as expected</b>	<ol style="list-style-type: none"> <li>1. A clean filter system will help the cleaner to move much faster. Also, be sure to clean all baskets.</li> <li>2. Vinyl liner pools with a deep end hopper will require 6-8 hours to clean. In this time the cleaner should make at least 4 trips to the shallow end. If not, call Customer Service at 1-800-831-7133.</li> <li>3. Examine the lift brush mechanism as the cleaner is operating. To do this, you will have to turn the cleaner over while it is running and submerged. If the lift brush does not move to the "down" position within 2 minutes, call Customer Service at 1-800-831-7133.</li> <li>4. The cleaner was not designed to work under solar covers. If you have a solar cover, only minimal coverage can be expected.</li> <li>5. Any cleaner might miss a spot. Your cleaner has been designed to accommodate the attachment of a vac-pole (telepole) by use of the handle in the accessory bag. Attach pole for spot cleanups, steps, and swimouts.</li> </ol>
<b>Cleaner "stuck" in one spot (more than 15 mins.)</b>	<ol style="list-style-type: none"> <li>1. Examine the lift brush mechanism as the cleaner is operating. To do this, you will have to turn the cleaner over while it is running and submerged. If the lift brush does not move to the "down" position within 2 minutes or less, call Customer Service at 1-800-831-7133.</li> </ol>
<b>Steps and "swim-outs" are not clean</b>	<ol style="list-style-type: none"> <li>1. This cleaner was not designed to clean these areas. Use the handy telepole attachment, connect the pole, and clean missed areas.</li> </ol>
<b>Cleaner flips on its back when pump stops</b>	<ol style="list-style-type: none"> <li>1. This is normal with some filter systems that develop a surge of back pressure when the system shuts off. The cleaner will right itself when the system is restarted.</li> </ol>
<b>Hose comes loose when pump stops</b>	<ol style="list-style-type: none"> <li>1. Use reducer cone when connecting to the skimmer or vac port.</li> </ol>
<b>Cleaner hovers in one area with hose fully extended</b>	<ol style="list-style-type: none"> <li>1. Hose might be too short. Desired length can be measured from the point where the hose is connected, to the furthest point of the pool, plus a minimum of an additional 4'. If needed, purchase an extension hose from your local dealer. Do not cut extension hose – use it full length even if it is a little long.</li> </ol>
<b>Hose keeps coiling up</b>	<ol style="list-style-type: none"> <li>1. For best results, when hose is not in use, store it uncoiled, flat, and straight.</li> <li>2. Lay hose out flat and straight in the sunlight for a few hours prior to use.</li> </ol>
<b>Cleaner avoids shallow end of pool</b>	<ol style="list-style-type: none"> <li>1. Bumper Inserts (see Key 2A, Page 18) help to make the cleaner more buoyant to allow better access to the shallow end of the pool. Do not install the bumper inserts from the top; they will become jammed and not work properly. Install bumper inserts only from the bottom.</li> <li>2. If the bumper on the cleaner appears to lift the cleaner to the surface of the pool, check for trapped air in the cleaner and hose. If no air is found, remove one bumper insert block and watch and see if the cleaner remains submerged and on the pool floor while working. If not, remove individual insert blocks as needed until the cleaner rests on the pool floor and operates properly.</li> </ol>

Blank Page



**Great White**®  
Nettoyeur automatique de piscine



## **Guide d'installation et d'utilisation**

**CONSIGNES DE SÉCURITÉ**

***LIRE ET SUIVRE ATTENTIVEMENT TOUTES LES CONSIGNES  
VEUILLEZ CONSERVER CES CONSIGNES***

## Soutien technique

**Sanford, Caroline du Nord** (8 h à 17 h)

**Moorpark, Californie** (8 h à 17 h)

**Tél.** : (800) 831-7133

**Télééc.** : (800) 284-4151

**Sites Web** : Visitez [www.pentairpool.com](http://www.pentairpool.com) et [staritepool.com](http://staritepool.com)

Protégés par un ou plusieurs des brevets américains suivants et par tous les brevets internationaux correspondants : brevet américain N° 5,293,659, 5,303,444, 5,371,910, 5,386,607, 5,469,596, 5,664,275, 5,799,351 et 5,974,647

© 2007 Pentair Water Pool and Spa, Inc. Tous droits réservés.

Ce document est sujet à tous changements sans préavis.

1620 Hawkins Ave., Sanford, NC 27330 • (919) 566-8000

10951 West Los Angeles Ave., Moorpark, CA 93021 • (805) 553-5000

### **Marques de commerce et avis de non-responsabilité :**

Great White® et Pentair Water Pool and Spa® sont des marques déposées de Pentair Water Pool and Spa, Inc. aux États Unis et/ou dans d'autres pays. À moins qu'il en soit indiqué autrement dans ce document, l'utilisation des noms et marques d'autres sociétés ne présuppose nullement l'affiliation entre les propriétaires de ces noms et marques et la société Pentair Water Pool and Spa, Inc. ou leur endossement par cette dernière. Ces noms et marques peuvent être des marques de commerce ou des marques déposées appartenant à ces parties ou à d'autres.

**PN789** (Rév. B) - 7 décembre 2007

## Table des matières

<b>Consignes de sécurité importantes .....</b>	<b>ii</b>
<b>Section 1 : Survol .....</b>	<b>1</b>
Préparation de la piscine .....	2
Nettoyeur .....	2
Manches de raccordement .....	3
<b>Section 2: Installation .....</b>	<b>5</b>
Installation normalisée .....	5
Installation facultative .....	8
<b>Section 3 : Fonctionnement .....</b>	<b>11</b>
Fonctionnement et mouvement du nettoyeur .....	11
Bruit de cliquetis .....	11
Déplacement autour de la piscine .....	11
Aspiration de gros débris .....	11
Réglages précis des robinets et des branchements .....	12
Robinets (pompe, écumoire et drain de fond) et réglages de l'aspiration ....	12
Trop d'aspiration? .....	12
Pas assez d'aspiration? .....	12
Récupérateur de feuilles en ligne .....	13
Raccord de l'écumoire .....	13
Plaque d'aspiration de l'écumoire .....	13
Dispositifs de réglage de l'aspiration de la plaque de l'écumoire .....	13
<b>Section 4 : Entretien .....</b>	<b>15</b>
Remisage des tuyaux .....	15
Démontage .....	16
Remontage .....	17
Liste illustrée des pièces détachées .....	18
<b>Section 5 : Dépannage .....</b>	<b>19</b>

# CONSIGNES DE SECURITE IMPORTANTES



## Notice importante :

**À l'intention de l'installateur :** Ce guide contient d'importantes informations sur l'installation, le fonctionnement et des mesures de sécurité relatives à ce produit. Ces renseignements doivent être remis au propriétaire et/ou à l'opérateur de cet équipement.

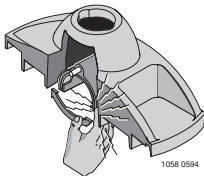
**⚠ MISE EN GARDE** — Avant d'installer ce produit, veuillez lire et suivre toutes les mises en garde et consignes qui sont incluses. Le non-respect des mises en garde et des consignes peut entraîner d'importantes blessures, la mort ou des dommages matériels. Pour des copies supplémentaires gratuites de ce guide, veuillez appeler le (800) 831-7133.



**MISE EN GARDE** — **Aspiration dangereuse. Les cheveux ou des parties du corps risquent d'être aspirés ou arrachés. Peut entraîner la noyade. Ne pas jouer avec le nettoyeur ni avec son tuyau souple et ne pas se l'appliquer sur le corps. Ne pas laisser les enfants utiliser le nettoyeur de piscine ni jouer avec. Arrêter la pompe avant d'intervenir sur le nettoyeur.**



**ATTENTION** — **L'oscillateur peut causer des blessures aux mains ou aux doigts. Arrêter la pompe avant de nettoyer la tête de ce nettoyeur de piscine.**



**MISE EN GARDE** — **Le tuyau souple peut faire trébucher les baigneurs ou s'enrouler autour d'eux. Ne permettre à personne de se baigner dans la piscine pendant que le nettoyeur fonctionne.**

## Information générale concernant l'installation

### Liste des contrôles à effectuer avant de procéder à l'installation

#### Avant d'installer ce nettoyeur dans une piscine avec une toile en vinyle :

Vérifier attentivement si la toile ne comporte pas des signes de détérioration ou de dommages causés par le vieillissement ou les produits chimiques. Si on remarque des dommages, demander à un professionnel qualifié en piscines de procéder aux réparations nécessaires. De même, si on remarque la présence de pierres, de racines, etc. sous la toile, les enlever avant d'installer le nettoyeur.

#### Avant de procéder à l'installation du nettoyeur dans une piscine en béton projeté (gunite) ou dans une piscine partiellement ou complètement carrelée :

Réparer tous les carreaux qui se détachent et resserrer les bagues desserrées de tous les éclairages.

## CONSIGNES DE SECURITE IMPORTANTES (suite)

### Informations générales concernant l'installation (suite)

#### Avant d'installer ce nettoyeur, nettoyer le système de filtration:

Ne pas oublier de nettoyer le filtre, de le laver à contre-courant, de le rincer et de vider tous les paniers. Il est indispensable que le système soit propre pour que le nettoyeur puisse fonctionner correctement et sur toute la surface de la piscine.

#### Remplir d'eau le tuyau avant d'installer le nettoyeur :

Toujours s'assurer que la tête du nettoyeur est immergée dans l'eau de la piscine et que son tuyau est rempli d'eau avant de le brancher sur le système de filtration (dans le retour de l'écumoire ou dans un retour de la paroi de la piscine réservé à cet effet). S'il y a de l'air dans le système, la pompe fonctionnera à sec, surchauffera et sera endommagée.

#### Avant d'installer ce nettoyeur, il faut bien comprendre comment il fonctionne :

Ce nettoyeur est conçu pour nettoyer une piscine sur une période d'environ 4 à 6 heures. Dans la plupart des cas, il faudra beaucoup moins de temps.

Ce nettoyeur automatique n'a pas été conçu pour nettoyer les marches ou les rampes, ni pour fonctionner sous une couverture solaire. Il n'a pas non plus été conçu pour procéder au nettoyage initial d'une piscine neuve, ni pour nettoyer une piscine lorsqu'on la rouvre pour la saison.

**⚠ MISE EN GARDE — Risque d'aspiration, de blessures ou de noyade. Si la piscine comporte un orifice spécifique pour le nettoyage à l'aspirateur, cet orifice devra être bouché s'il n'est pas utilisé.**

Un couvercle de sécurité à ressort (raccord d'orifice de nettoyage à l'aspirateur) est livré avec votre nettoyeur. Installez-le sur l'orifice d'aspiration pour empêcher que les baigneurs soient retenus ou blessés.

Page vierge

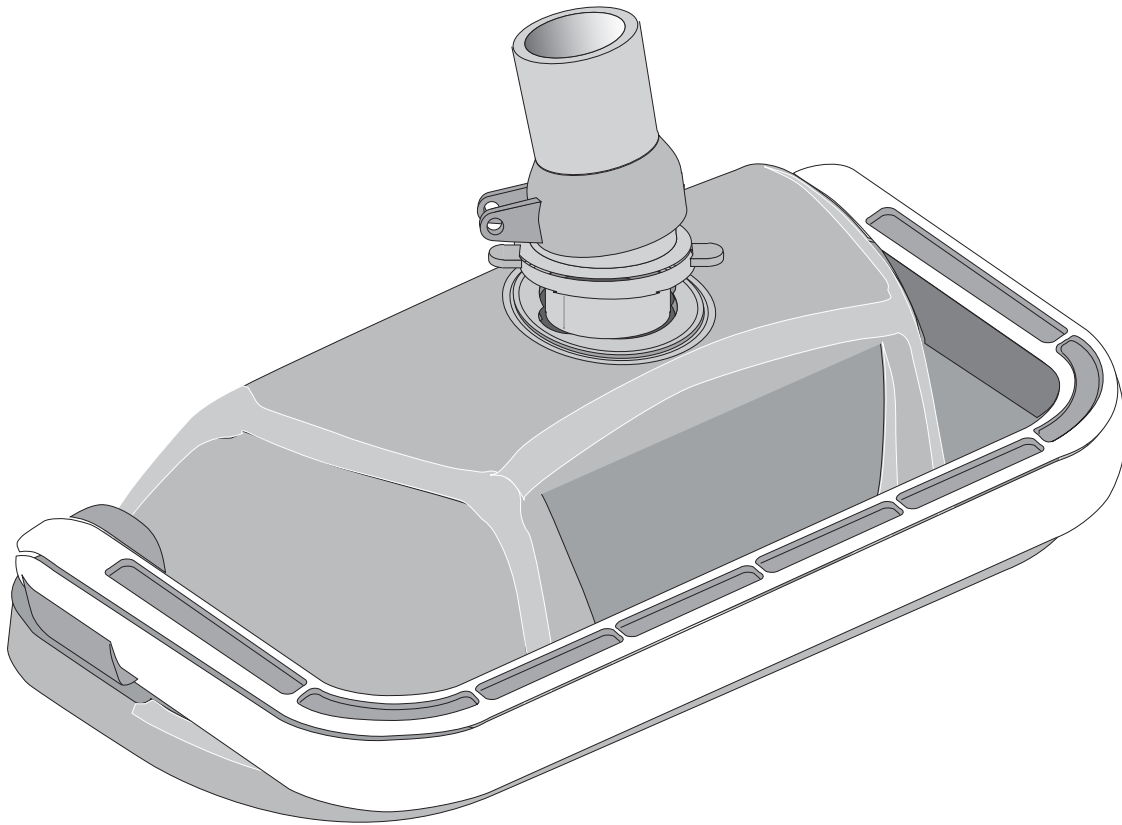


# Section 1

## Survol

### Nettoyeur automatique de piscine Great White

Félicitation vous avez acheté le meilleur nettoyeur de piscine!. Aucun autre nettoyeur ne se compare à la puissance de nettoyage du Great White. Doté d'une conduite de 15 pieds et d'un entraînement à brosse, le nettoyeur pour piscine creusée automatique Great White nettoie complètement et rapidement toute la piscine.

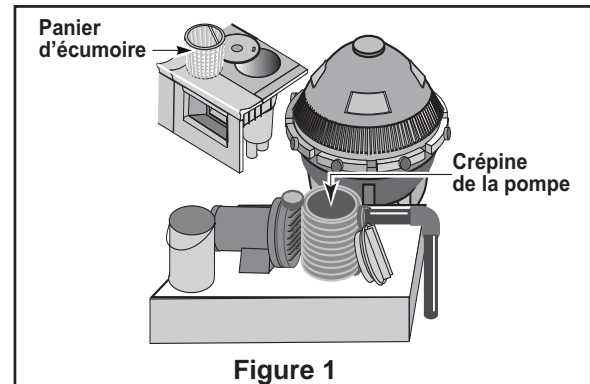


Nettoyeur automatique de piscine creusée Great White, modèle GW9500

## Préparation de la piscine

Avant d'assembler et d'installer le nettoyeur automatique de piscine Great White, vous assurez que la piscine est propre et exempte d'algues. Effectuer les préparations suivantes avant de procéder à l'installation, si nécessaire.

- Équilibrer la chimie de l'eau de la piscine.
- Passer la brosse sur le vinyle et laisser les débris se déposer dans le fond.
- Nettoyer complètement la piscine à l'aide de l'aspirateur manuel.
- Nettoyer le filtre et le panier de l'écumoire (Figure 1)

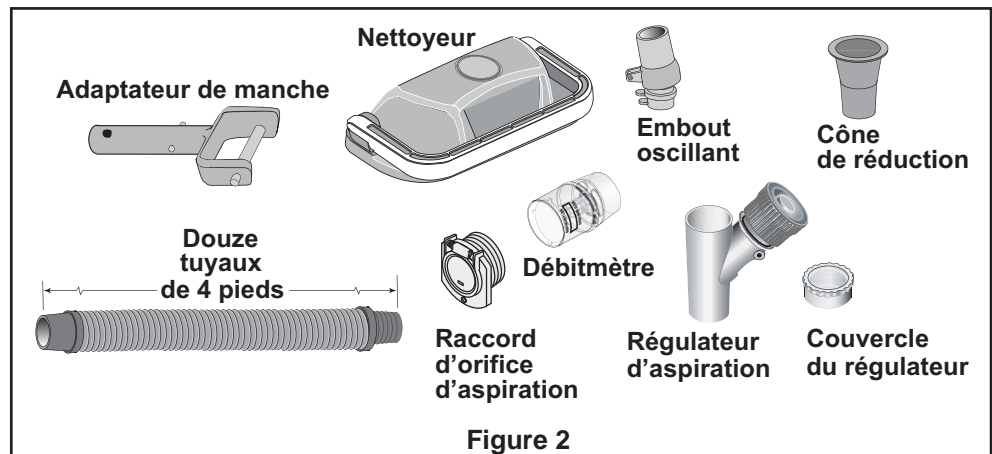


## Nettoyeur

### 1. Vérifier les pièces

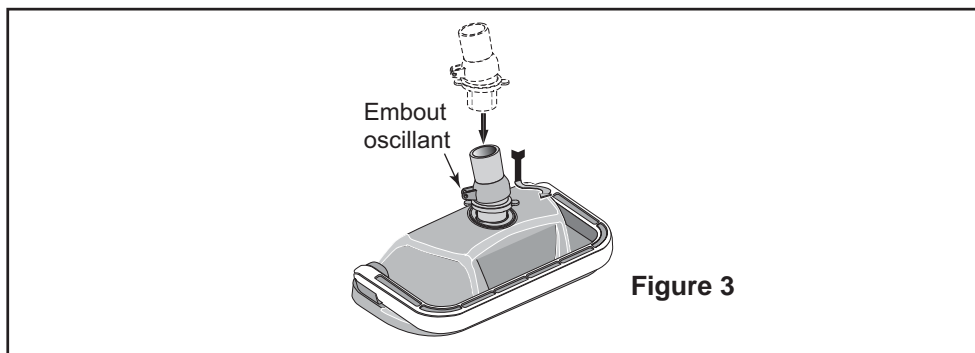
Retirer et vérifier le nettoyeur Great White et toutes les pièces de la boîte afin de s'assurer que toutes les composantes soient présentes (Figure 2).

- Nettoyeur
- Embout oscillant
- Adaptateur de manche
- Cône de réduction
- Tuyau : Douze tuyaux de 4 pieds
- Régulateur d'aspiration
- Couvercle du régulateur
- Raccord d'orifice d'aspiration
- Débitmètre



### 2. Fixation de l'embout oscillant à la tête du nettoyeur

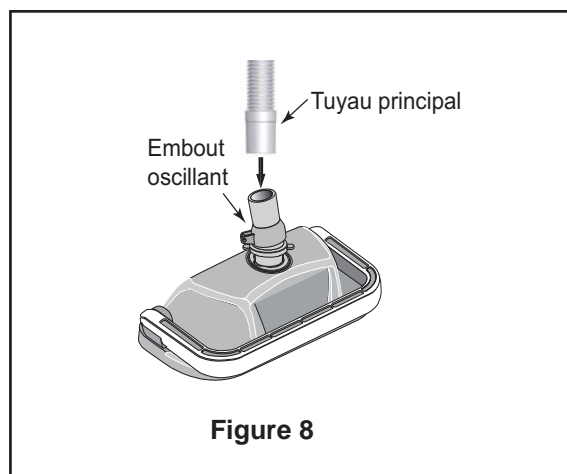
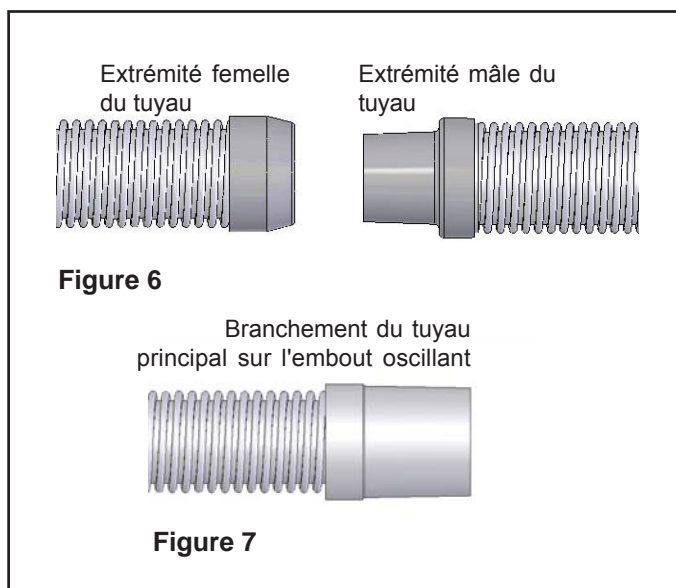
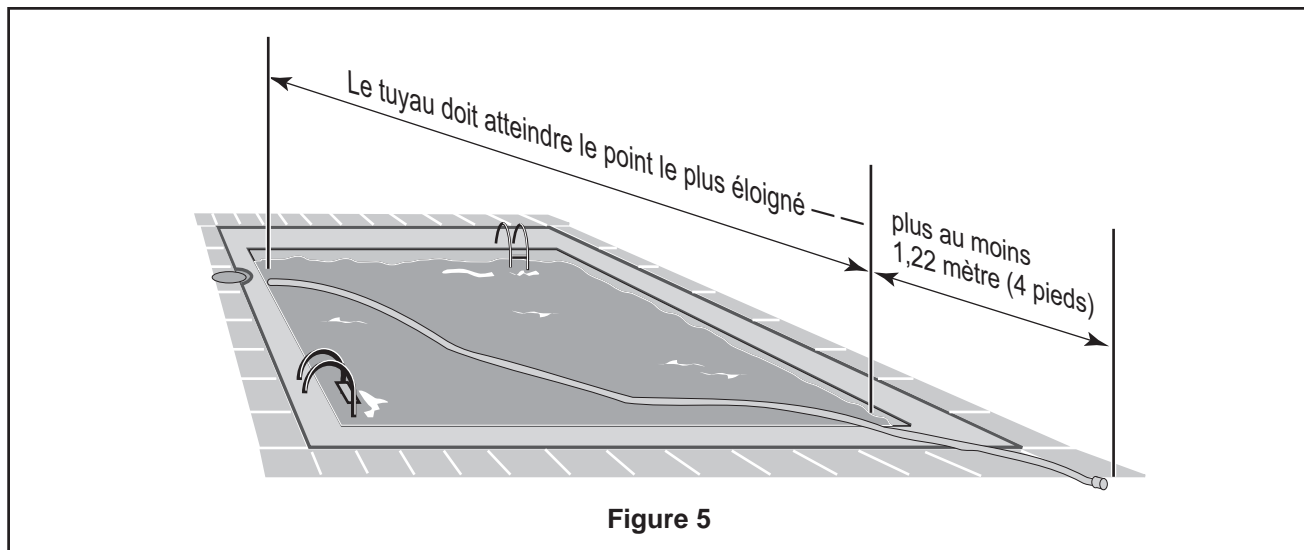
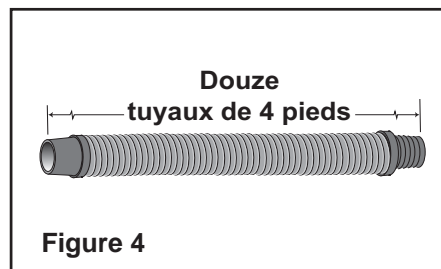
L'embout oscillant se pose facilement. L'introduire dans le corps du nettoyeur et le tourner d'un quart de tour (Figure 3). Si, pour le nettoyage manuel, on fixe un manche Unidapt sur l'embout oscillant, s'assurer qu'il est du type spécial et flottant, comme celui livré avec le nettoyeur (pièce de remplacement n° GW9019). L'utilisation de tout autre manche Unidapt ne permettra pas un nettoyage adéquat.



## Tuyaux

### Assembler le tuyau

Le nettoyeur est livré avec douze sections de tuyau, chacune mesurant 4 pieds de longueur (Figure 4). **Ces tuyaux ne doivent pas être coupés.** Ces sections de 4 pieds doivent être reliées pour créer une longueur de tuyaux qui aura au moins 4 pieds de plus que la longueur à brancher entre la source d'aspiration (l'écumoire ou la conduite d'aspiration réservée à cet effet) et le point le plus éloigné de la piscine (Figure 5). Joindre les sections de tuyau entre elles en raccordant l'extrémité mâle à l'extrémité femelle (Figure 6). **La section de tuyau " principale " est dotée d'un embout repéré qui est plus grand que celui des autres sections afin de se brancher sur l'embout oscillant du nettoyeur (Figure 7 et 8).** Utilisation de tout autre tuyau diminuera les performances du nettoyeur. Si d'autres tuyaux sont requis, n'utiliser que des tuyaux provenant d'un marchand Pentair Water Pool and Spa (n° de pièces de remplacement 41200-0131). L'Utilisation de tout autre tuyau diminuera les performances du nettoyeur.



Page vierge

## Section 2

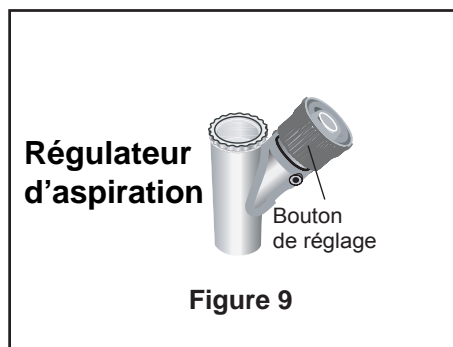
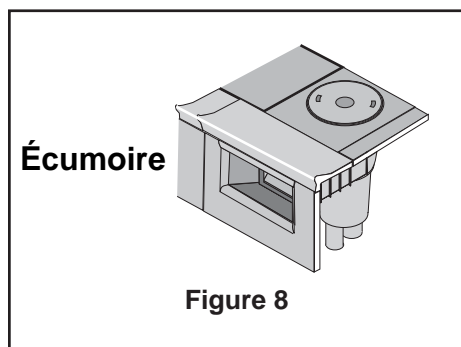
# Installation

Cette section explique comment procéder à l'installation du nettoyeur automatique de piscine Great White. Le nettoyeur de piscine Great White est conçu pour fonctionner avec un grand nombre de piscines. Les deux méthodes d'installation, dans l'écumoire et par raccord d'orifice d'aspiration sont décrites ci dessous. Si vous ne retrouvez pas la configuration de votre piscine dans les exemples mentionnés, contactez un représentant de produits Pentair Water Pool and Spa ou appeler le Service à la clientèle en composant le numéro sans frais 1-800-831-7133.

### Installation normalisée

#### Piscines dotées d'une seule écumoire, utilisant le régulateur d'aspiration

- Le fabricant recommande de procéder à l'installation standard par l'écumoire de la piscine (Figure 8). L'avantage de cette installation est l'utilisation du régulateur d'aspiration (Figure 9) pour équilibrer le débit de l'eau entre l'écumoire et le nettoyeur de piscine Great White. Le régulateur d'aspiration peut être ajusté aux modifications du débit d'eau afin de fournir au nettoyeur Great White la puissance nécessaire pour faire un nettoyage adéquat; il est recommandé par le fabricant afin d'augmenter la sécurité et la performance du nettoyeur.



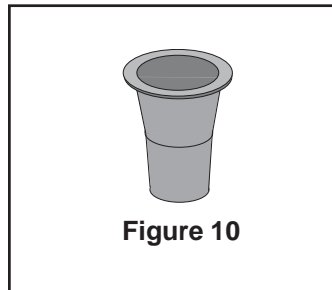
1. Arrêter la pompe de la piscine.
2. Régler les robinets pour procéder à l'aspiration  
Régler les robinets de la pompe (si votre système est doté de robinets) pour y diriger toute l'aspiration. Fermez le drain principal et toutes les conduites d'aspiration, sauf la conduite de l'écumoire à laquelle le nettoyeur Great White sera branché.
3. Retirer le panier de l'écumoire
4. Installer le régulateur d'aspiration

**⚠ MISE EN GARDE! Aspiration dangereuse. Risque de se faire retenir, d'être gravement blessé ou de se noyer.**

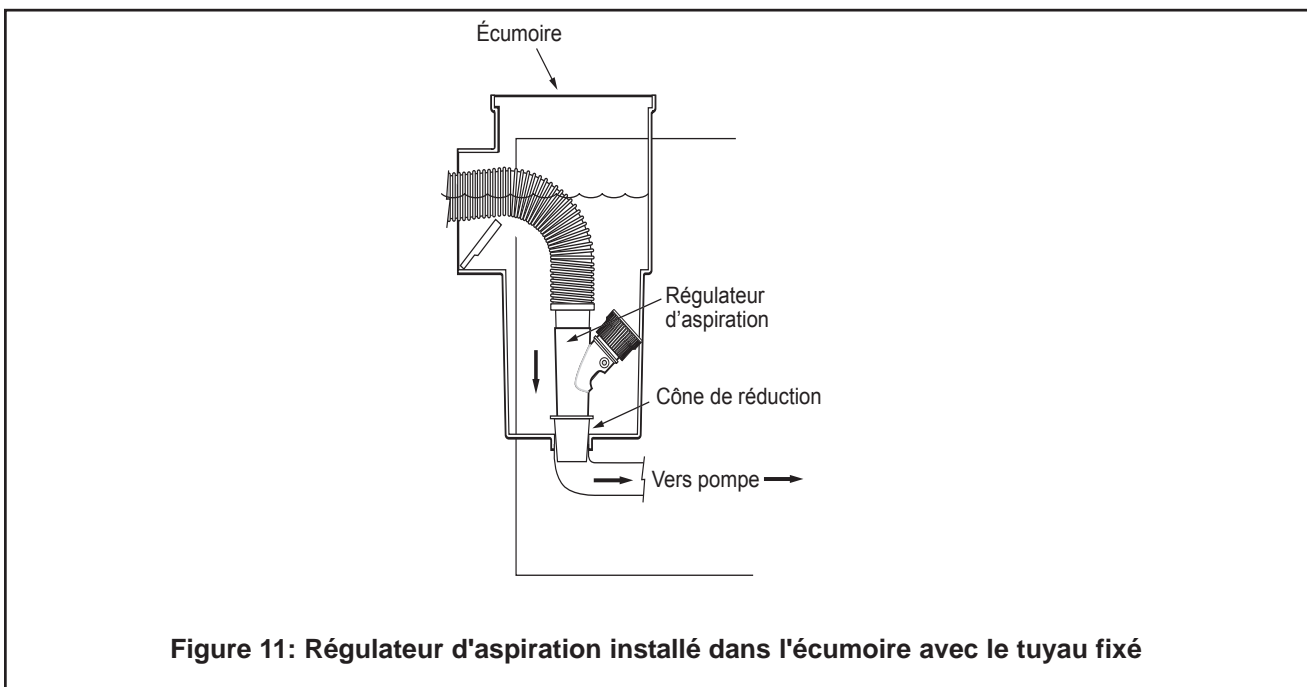
Toujours utiliser le régulateur d'aspiration avec le nettoyeur automatique de piscine. Le régulateur d'aspiration com-porte un bouton de réglage (Figure 9). Si l'aspiration est trop forte, tourner le bouton dans le sens antihoraire afin de réduire l'aspiration. Si l'aspiration est trop faible, tourner le bouton dans le sens horaire afin d'augmenter l'aspiration.

## Installation normalisée (suite)

Le régulateur d'aspiration doit être installé en conjonction avec le cône de réduction (Figure 10). Le cône de réduction est indispensable pour réaliser la plupart des connections avec l'écumoire. Il permet de maintenir le tuyau et le régulateur d'aspiration en place lorsque le système de filtration est arrêté.



Installer le régulateur d'aspiration et le cône de réduction dans l'écumoire. Fixer l'embout du tuyau dans le régulateur (Figure 11).

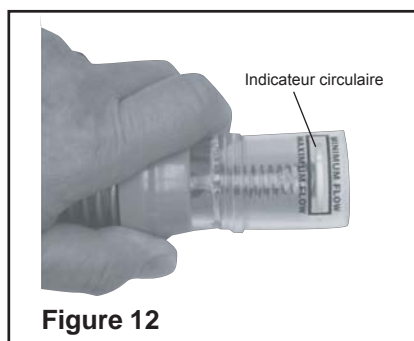


S'assurer que le régulateur d'aspiration est submergé en tout temps. Sinon, la pompe aspirera de l'air et se désamorcera, ce qui risque de l'endommager.

## Installation normalisée (suite)

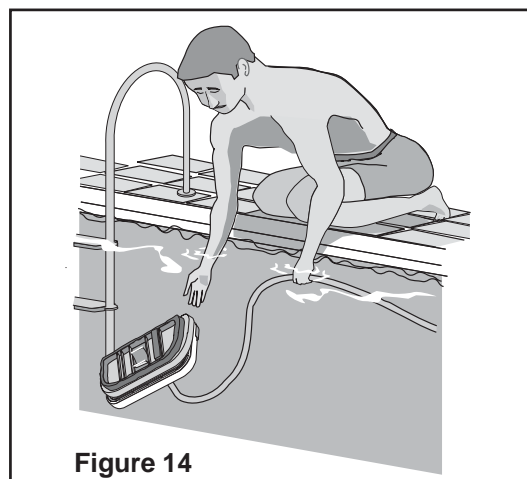
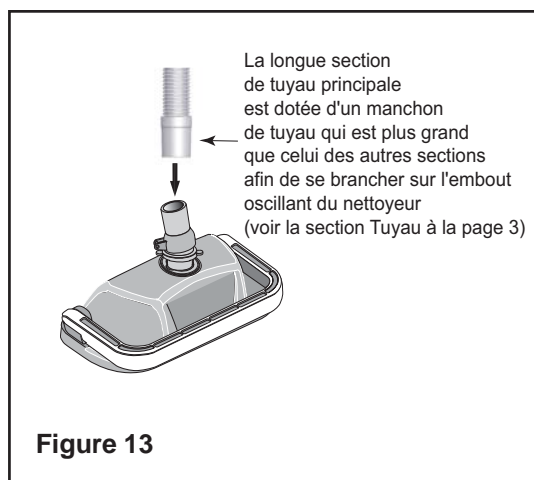
### 5. Vérification du débit

Fermer le drain principal et introduire une extrémité du tuyau dans le régulateur d'aspiration situé dans l'écumoire, puis insérer le débitmètre dans l'autre extrémité du tuyau. Maintenir le tuyau et le débitmètre sous l'eau. Démarrer la pompe. Pendant que la pompe fonctionne, régler le régulateur d'aspiration (situé dans l'écumoire) jusqu'à ce que l'indicateur du débitmètre soit réglé entre les débits minimal et maximal (Figure 12). Retirer le débitmètre et procéder à l'étape 6.



### 6. Branchement du tuyau sur l'embout oscillant du nettoyeur

Brancher l'embout repéré du tuyau principal sur l'embout oscillant du nettoyeur (Figure 13). Laisser tomber le nettoyeur au fond de la piscine (Figure 14).



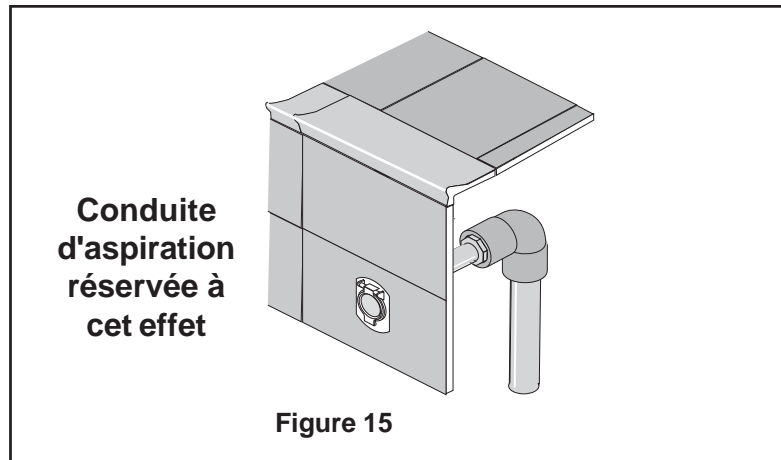
### 7. Démarrer la pompe.

Après avoir complété l'installation, démarrer la pompe de la piscine et la laisser fonctionner quelques minutes afin que l'air soit complètement évacué du système.

## Installation facultative

### Installation d'un orifice d'aspiration en conjonction avec un régulateur d'aspiration dans l'écumoire

- Si la piscine est dotée d'un orifice d'aspiration (Figure 15), installer le Great White selon l'**installation facultative**.



#### 1. Fermer la pompe de la piscine

#### 2. Réglage des robinets de l'aspiration

Régler les robinets de la pompe (si votre système est doté de robinets) de façon à envoyer toute l'aspiration vers la conduite d'aspiration réservée à cet effet et vers l'écumoire. Fermer le drain principal et toutes les conduites d'aspiration, sauf la conduite d'aspiration spécifique à laquelle le Great White sera branché, et à l'écumoire où le régulateur d'aspiration sera installé.

#### 3. Installer le raccord de la porte sur l'orifice d'aspiration

**⚠ MISE EN GARDE! Risque d'aspiration, de blessures ou de noyade. Si la piscine est dotée d'un orifice d'aspiration pour passer l'aspirateur ou brancher le nettoyeur, cet orifice devra être bouché s'il n'est pas utilisé.**

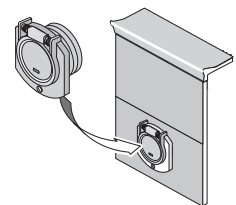


Figure 16

Un couvercle de sécurité à ressort (raccord d'orifice d'aspiration) est livré avec votre nettoyeur de piscine (Figure 16). Installez-le sur l'orifice d'aspiration afin d'empêcher que les baigneurs soient retenus par l'aspiration ou blessés. Pour plus de détails, consulter le feuillet d'instruction inclus avec le raccord d'orifice de l'aspiration. Pour installer le raccord d'orifice d'aspiration inclus :

1. Installer le raccord d'orifice d'aspiration dans l'ouverture de la conduite d'aspiration réservée à cet effet.
2. Orienter le raccord d'orifice d'aspiration de façon à ce que la flèche sur la porte soit orientée vers le haut.
3. Fixer le couvercle en serrant la vis à tête creuse qui se trouve sous la porte, dans le raccord d'orifice d'aspiration réservé à cet effet.

#### 4. Retirer le panier de l'écumoire.

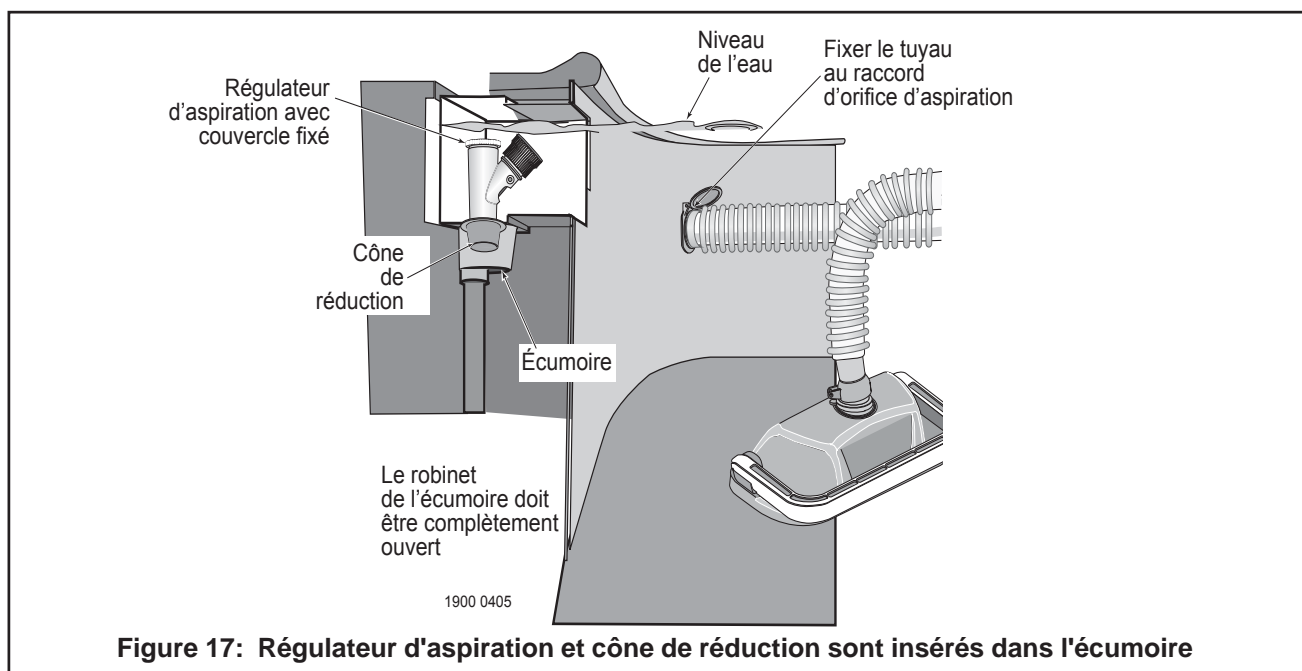


## Installation facultative (suite)

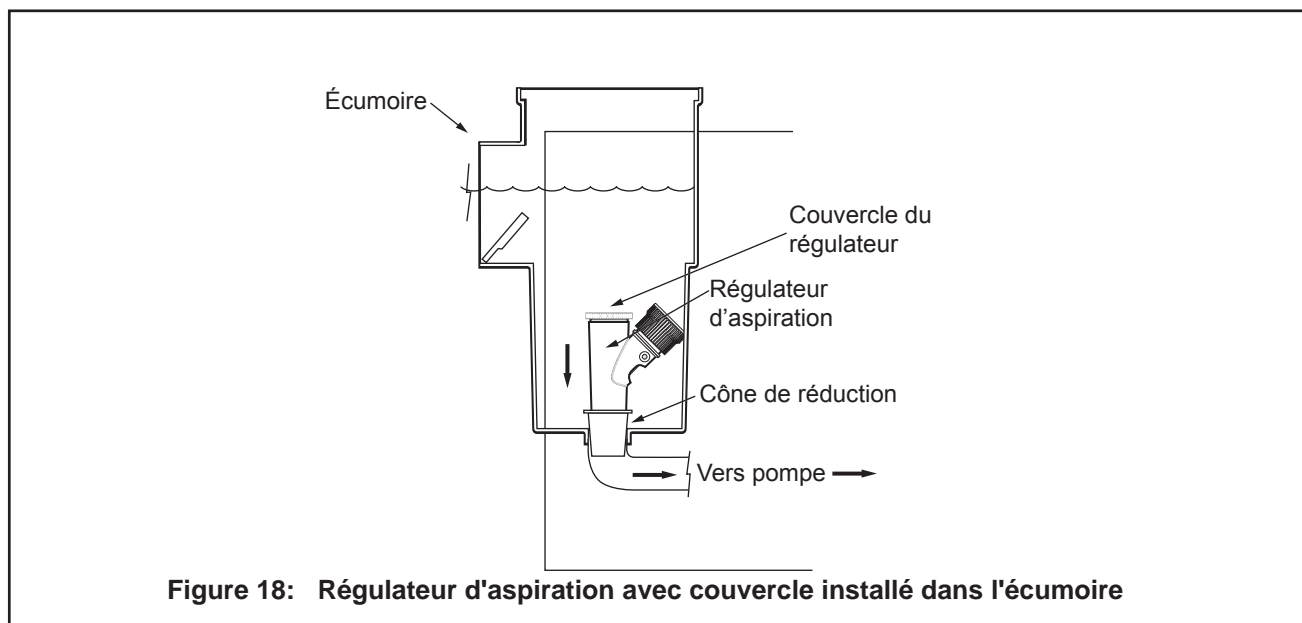
### 5. Installer le régulateur d'aspiration

**⚠ MISE EN GARDE! Aspiration dangereuse. L'aspiration de la pompe présente un danger et risque de causer de graves blessures corporelles ou la noyade.**

Installer le régulateur d'aspiration et le cône de réduction dans l'écumoire (Figure 17).



Afin d'éviter que de l'eau ne s'infilte au dessus du régulateur d'aspiration, fixer le couvercle du régulateur (Figure 18). Brancher l'extrémité du tuyau sur le raccord d'aspiration du régulateur installé sur la conduite d'aspiration réservée à cet effet (Figure 17).



## Installation facultative (suite)

### 6. Vérification du débit

Fermer le drain principal et connecter une extrémité du tuyau au raccord d'aspiration situé dans la conduite d'aspiration réservée à cet effet, puis insérer le débitmètre dans l'autre extrémité du tuyau. Maintenir le tuyau et le débitmètre sous l'eau. Démarrer la pompe. Pendant que la pompe fonctionne, régler le régulateur d'aspiration (dans l'écumoire) jusqu'à ce que l'indicateur du débitmètre soit réglé entre les débits minimal et maximal (Figure 19). Retirer le débitmètre et procéder à l'étape 7.

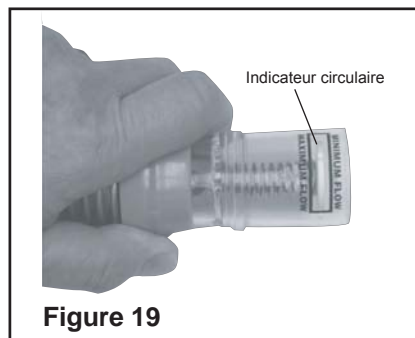


Figure 19

### 7. Branchement du tuyau sur l'embout oscillant du nettoyeur

Raccorder le grand manchon du tuyau principal (Figure 20) à l'embout oscillant situé sur la tête du nettoyeur. Jeter le nettoyeur dans la piscine et laisser le couler jusqu'au fond. (Figure 21).

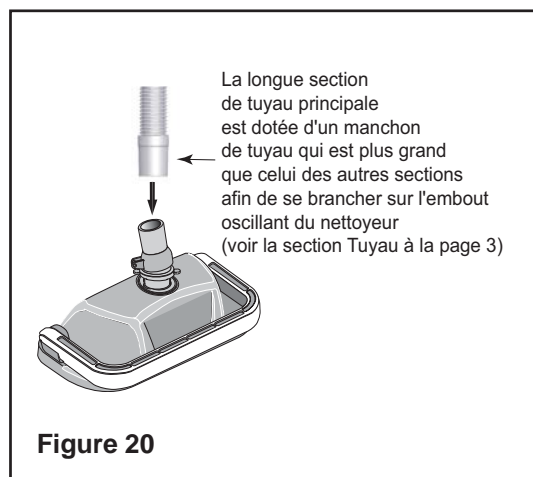


Figure 20

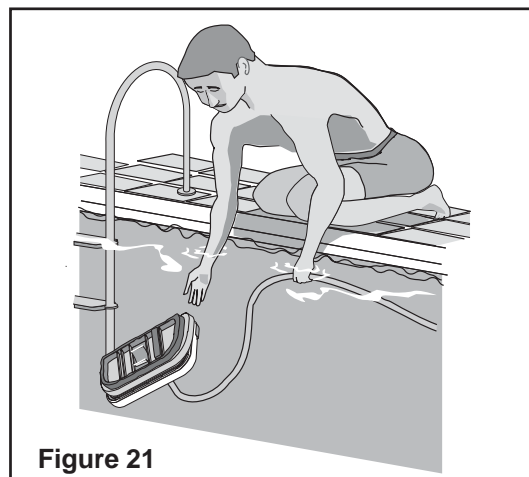


Figure 21

### 8. Démarrer la pompe.

Après avoir compléter l'installation, démarrer la pompe de la piscine et la laisser fonctionner quelques minutes afin que l'air soit complètement évacué du système.

## Section 3

# Fonctionnement

Cette section contient des informations expliquant le mouvement et le fonctionnement du nettoyeur Great White, aussi bien que des conseils pour ajuster les robinets et les branchements de la piscine afin d'optimiser la puissance de nettoyage du Great White.

## Fonctionnement et mouvement du nettoyeur

### Bruit de cliquetis

Ce bruit est celui de l'oscillateur qui se déplace d'avant en arrière dans sa chambre. Sa meilleure vitesse se situe aux environs de 500 oscillations par minute. Les vibrations créées par l'oscillateur entraînent le mouvement des poils et du nettoyeur. Si l'oscillateur se déplace trop rapidement, le nettoyeur aura tendance à monter le long des parois de la piscine, au-delà de la ligne d'eau ou bien " sortir de la piscine ". Diminuer la vitesse en ajustant le régulateur d'aspiration dans l'écumoire

### Déplacement autour de la piscine

**Déplacement aléatoire** – Sur une période de 6 heures, le nettoyeur aura parcouru presque toute la piscine. Il n'est pas spécifiquement programmé et ne peut pas détecter la saleté. C'est un nettoyeur à déplacement aléatoire.

Le nettoyeur a été conçu pour rester la plupart du temps dans le grand bain, là les surfaces du sol et des parois sont les plus étendues. Sur une période de 6 heures, le nettoyeur parcourra quelquefois la partie peu profonde.

**Mouvement rotatif** – Le nettoyeur se lèvera d'un côté et pivotera quelquefois par minute. Ceci est normal et permet :

1. Aux feuilles d'être poussées ou aspirées dans la chambre d'aspiration.
2. Permet au nettoyeur :

De changer de direction

De s'éloigner des coins

De s'éloigner des échelles

De rester immergé

De s'éloigner de la bonde du drain principal

### Aspiration de gros débris

Le nettoyeur peut aspirer certains gros débris susceptibles d'entraîner une obstruction . Dans ce cas, arrêter la pompe, enlever les débris de l'oscillateur ou de l'embout oscillant.

## Réglages "précis" des robinets et des branchements

**⚠ MISE EN GARDE!** L'aspiration de la pompe présente un danger et risque de causer de graves blessures corporelles ou la noyade. Le régulateur d'aspiration (voir les instructions qui suivent) doit toujours être utilisé avec le nettoyeur de piscine.

**NOTICE :** Le système hydraulique et les branchements d'aspiration de chaque piscine sont différents. Toujours s'assurer que le régulateur d'aspiration en plastique blanc est posé avant de procéder aux " Réglages précis ". Non seulement ce régulateur permet de contrôler l'aspiration, mais il agit également comme dispositif de sécurité.

**⚠ MISE EN GARDE!** Risque d'aspiration, de blessures ou de noyade. Si, pour passer l'aspirateur ou brancher ce nettoyeur, la piscine est dotée d'un orifice d'aspiration réservé à cet effet (" l'orifice d'aspiration "), cet orifice devra être fermé s'il n'est pas utilisé. Un couvercle de sécurité à ressort (raccord d'orifice d'aspiration) est livré avec votre nettoyeur de piscine. Installez-le sur l'orifice d'aspiration pour empêcher que les baigneurs soient retenus par l'aspiration ou blessés. Pour plus de détails, consulter le feuillet d'instruction du raccord d'orifice de l'aspiration inclus avec le nettoyeur.

Le " PROPRIÉTAIRE NOVICE D'UNE PISCINE ", qui n'a aucune expérience dans l'aspiration, doit lire attentivement tous les points, toutes les instructions d'installation et toute la rubrique Recherche des pannes qui suivent.

Prendre note de ce qui suit :

- « Aspiration » et « Succion » sont deux mots qui ont la même signification.
- « Conduite d'aspiration réservée à cet effet », « Orifice d'aspiration » et « Accessoire d'aspiration » sont des ter-mes qui désignent un trou pratiqué dans la paroi de la piscine, lequel est raccordé à l'aspiration de la pompe et spécialement prévu pour l'aspiration.
- Certaines piscines ne comportent pas d'orifice d'aspiration. Dans ce cas, lire l'avertissement qui suit : « Risque d'aspiration »

Pour un " PROPRIÉTAIRE DE PISCINE EXPÉRIMENTÉ " : Le réglage de l'aspiration et le branchement du nettoyeur sont semblables à l'utilisation d'un aspirateur manuel de piscine. Continuer de lire.

### Robinetts (pompe, écumoire et drain de fond) et réglages de l'aspiration

Pour régler au mieux l'aspiration et obtenir un bon fonctionnement du nettoyeur, il faudra peut-être un peu de temps pour régler les robinets de l'écumoire et du drain principal de la piscine. Une fois le bon réglage des robinets obtenu, nous suggérons de faire un repère sur ces robinets de façon à toujours les régler dans la même position.

Régler tout d'abord les robinets pour obtenir une aspiration maximale côté écumoire ou accessoire qu'on a décidé d'utiliser.

## Réglages "précis" des robinets et des branchements (suite)

### Trop d'aspiration?

Si l'aspiration est trop forte, le nettoyeur montera le long des parois de la piscine, au-delà de la ligne d'eau, jusqu'au point où il aspirera de l'air et la pompe se désamorçera. Des désamorçages fréquents peuvent endommager la pompe. Pour remédier à cet incident, régler le régulateur en tournant son bouton à gauche. Ceci diminuera l'aspiration. Si le nettoyeur continue toujours à monter le long des parois de la piscine et s'il aspire de l'air, ouvrir légèrement le robinet du drain principal.

### Pas assez d'aspiration?

Si l'aspiration n'est pas assez forte, le nettoyeur se déplacera lentement ou pas du tout. S'assurer que le système de filtration est propre et que le régulateur et tous les robinets soient réglés de façon à obtenir une aspiration maximale. Si le nettoyeur ne se déplace toujours pas, la pompe n'est peut-être pas suffisamment puissante. Se reporter également à la rubrique Recherche des pannes de la page 17.

### Récupérateur de feuilles en ligne

Si de grandes quantités de feuilles tombent dans la piscine, nous suggérons d'acheter et de poser un récupérateur de feuilles en ligne (pièce n° R211084K). Il permettra de récupérer beaucoup plus de débris et offrira également une dérivation de l'eau lorsque le récupérateur sera plein. Il est extrêmement important que la pompe ne manque jamais d'eau!

### Raccord de l'écumoire

Dans les cas des piscines très salissantes, nous suggérons d'utiliser le raccord de l'écumoire et un récupérateur de feuilles en ligne (pièce n° R211084K). Il permettra de récupérer beaucoup plus de débris et offrira également une dérivation de l'eau lorsque le récupérateur sera plein. Il est extrêmement important que la pompe ne manque jamais d'eau!

### Plaque d'aspiration de l'écumoire

Certains propriétaires de piscine branchent le tuyau dans une plaque d'aspiration d'écumoire, ce qui permet de laisser le panier de l'écumoire en place. Si cette méthode est utilisée, le panier devra être fréquemment vidé. Il faudra également s'assurer que le régulateur d'aspiration fourni est complètement immergé pour qu'il n'aspire pas d'air, sinon la pompe risque d'être endommagée.

### Dispositifs de réglage de l'aspiration de la plaque de l'écumoire

Certains propriétaires de piscine utilisent une plaque d'aspiration d'écumoire fabriquée par certains manufacturiers. Certaines piscines sont dotées d'un dispositif de réglage de l'aspiration, d'autres pas. Le dispositif de réglage peut être du type à vis, à ressort ou à cadran. Dans le cas des plaques d'aspiration à dispositif de réglage, il est important de les régler en même temps qu'on procède aux réglages précis de l'aspiration du nettoyeur.

Page vierge

## Section 4

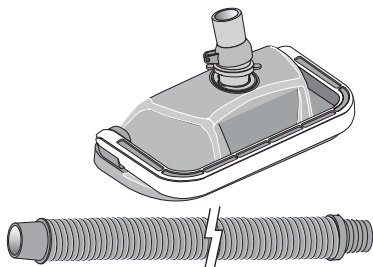
# Entretien

Cette section explique comment faire l'entretien du nettoyeur automatique de piscine Great White.

**⚠ MISE EN GARDE! Aspiration dangereuse. Arrêter la pompe avant de nettoyer le nettoyeur de piscine.**

- Maintenir les paniers de l'écumoire et la crépine de la pompe propres et débarrassés de débris.
- Si de gros débris (feuilles, branches, etc.) coincent le nettoyeur, essayer tout d'abord de les enlever par la partie inférieure du nettoyeur. Si vous n'obtenez pas le résultat escompté, déposer l'embout oscillant supérieur (le tourner d'un quart) et enlever les débris par le haut.
- Avant de superchlorer (traitement de choc) ou d'équilibrer les produits chimiques, sortir le nettoyeur de la piscine. Attendre ensuite au moins quatre heures avant de remettre le nettoyeur dans la piscine.
- Pendant que le nettoyeur est remisé, s'assurer que les poils des brosses ne soient pas déformés. Ranger le nettoyeur de façon à ce qu'il ne repose pas sur ses brosses et que rien ne puisse les comprimer.
- Ne pas enrouler le tuyau. Le débrancher du nettoyeur lorsque l'on sort le nettoyeur de la piscine. Le ranger bien à plat et bien droit.
- Périodiquement, examiner les brosses et la jupe d'aspiration à la recherche d'usure et de déformation. Les remplacer au besoin. Se reporter à " Remontage ", page 15.
- Ne pas remisé le nettoyeur si le tuyau y est branché ni si le tuyau est enroulé, sinon il se déformera. Lorsque le nettoyeur sera reposé dans la piscine, le tuyau aura tendance à s'enrouler et le nettoyeur ne fonctionnera pas adéquatement.
- Si le tuyau est déformé, l'allonger le plus possible sans l'endommager et le poser bien à plat pendant plusieurs heures en plein soleil pour le redresser. Lorsqu'il se sera redressé, le remisé à plat et bien droit (pas enroulé).
- S'assurer que la brosse de relevage est rentrée pendant le remisage. Si, pendant le remisage, la brosse de relevage est baissée et que le nettoyeur repose dessus, ses poils se déformeront et le nettoyeur ne tournera plus pendant qu'il fonctionnera.

### Remisage des tuyaux



**Correct:** Le tuyau est remisé adéquatement. Bien droit et pas branché au nettoyeur.



**Mauvais :** Le tuyau sera endommagé si le nettoyeur est remisé en étant branché au nettoyeur et la garantie sera annulée.

## Démontage

- Retirer l'oscillateur (Figure 22) du nettoyeur en le tournant d'un quart de tour à gauche et en tirant dessus.
- Mettre le nettoyeur à l'envers. Retirer les 4 vis, puis retirer le corps inférieur du protecteur.
- Remettre le corps inférieur à l'endroit. Dégrafer les 2 agrafes du couvercle de la chambre de l'oscillateur (Figure 23a) le retirer.
- Par les cames qui se trouvent à son extrémité, tirer droit vers le haut le grand arbre à pignons (Figure 23a). Immobiliser les joints de l'oscillateur et les cales sur l'arbre. La came peut gêner la tige de fixation de l'arbre. Dans ce cas, tourner légèrement l'arbre jusqu'à ce qu'il dégage l'axe. L'arbre peut maintenant être démonté (Figure 23b).
- Sortir l'arbre long à pignons de l'oscillateur (y compris tous les pignons) et faire bien attention de ne pas perdre les joints de l'oscillateur, car ils risquent de tomber à ce point (Figure 23b).
- 5A. Les joints de l'oscillateur sont remplaçables.
- 5B. L'arbre long et le jeu de pignons à cliquet sont remplaçables.
- Retirer la vis de pression, l'arbre court à pignons et les pignons (Figure 24) en s'assurant de ne pas désolidariser les pignons de l'arbre.
- À l'aide d'un petit tournevis (comme celui d'un bijoutier), d'un crayon ou la pointe d'un stylo, appuyer sur le ressort hélicoïdal, puis le sortir de l'axe de fixation de la brosse de relevage (Figure 25). Au besoin, remplacer la brosse et le ressort.
- Par le côté, sortir le cliquet métallique de son encoche. Le remplacer en déposant les brosses du centre, puis en posant un cliquet neuf. Il doit affleurer le bord du support en plastique (Figures 26 et 27). Remplacer les brosses du centre.
- La bague de la brosse sort facilement du corps du nettoyeur pour la remplacer.
- Si le butoir doit être remplacé, tourner le protecteur et le butoir à l'envers, puis déposer les deux vis de fixation du butoir sur le protecteur.

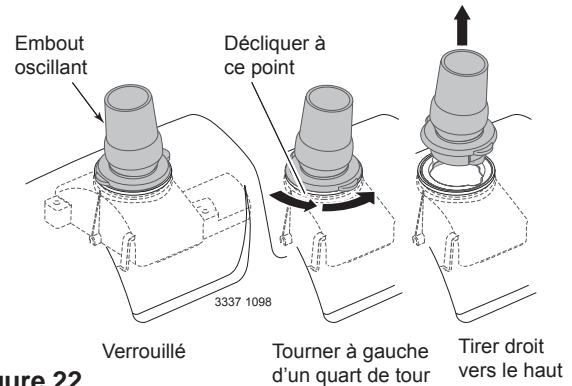


Figure 22

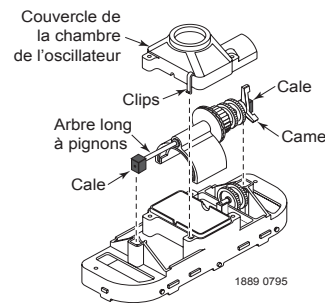


Figure 23a

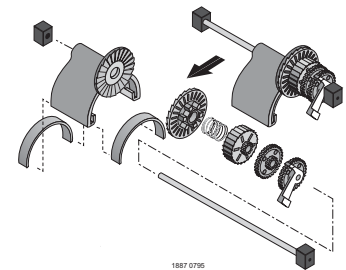


Figure 23b

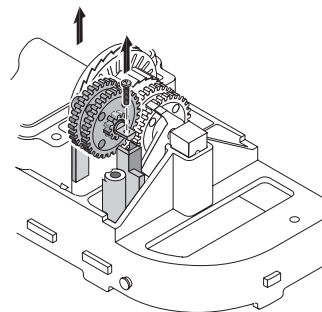


Figure 24

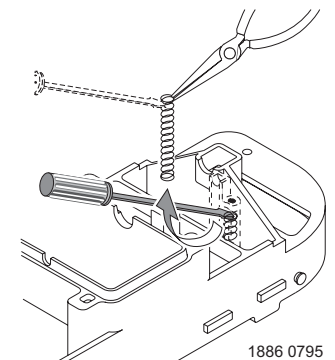


Figure 25

1. Glisser le cliquet métallique vers le côté extrémité du corps du nettoyeur

2. Glisser le cliquet métallique dans le corps du nettoyeur

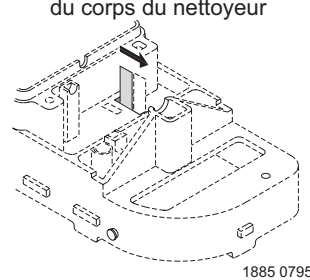


Figure 26

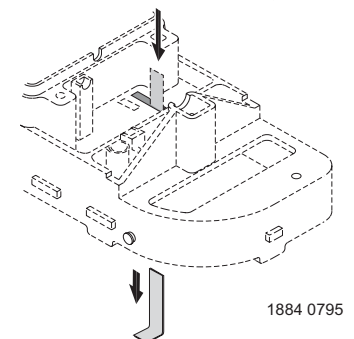


Figure 27



## Remontage

1. Poser les deux joints blancs dans l'oscillateur. Les immobiliser.
2. Poser l'oscillateur sur l'arbre long à pignons. Poser le pignon à cliquet sur l'arbre de façon à ce que sa denture s'engrène avec le cliquet de l'oscillateur. Reposer le ressort, le tambour à cliquet, les pignons (le plus grand en premier) puis la came (le côté pignons en premier) sur l'arbre (Figure 28). Pendant qu'on les installe, immobiliser les pignons sur l'arbre, puis comprimer le ressort de l'embrayage de façon à permettre à l'ensemble de glisser en place entre les axes (Figure 28).
3. Reposer l'arbre long à pignons et les cales d'extrémité dans la tête du nettoyeur, le grand levier des comes étant orienté vers le bas (Figure 29).
4. Reposer l'arbre court à pignons, la vis de pression et les deux pignons (Figure 30). Les pignons et la vis de pression de l'arbre se posent par le côté extrémité du nettoyeur - à l'opposé de la boîte de l'oscillateur. S'assurer que les pignons s'engrènent avec ceux de l'arbre long.
5. Reposer le couvercle de la chambre de l'oscillateur et l'agrafe.
6. Reposer la jupe d'aspiration en caoutchouc sur le nettoyeur, le mot " OUTSIDE " étant visible. Commencer par le grand axe qui se trouve à l'arrière de la tête du nettoyeur (Figure 31) et faire le tour du nettoyeur. S'assurer que la jupe affleure les bandes supérieures de la tête du nettoyeur (Figure 32).
7. Remettre le nettoyeur à l'endroit. Si le butoir et la bague de la brosse ont été déposés, les reposer maintenant.
8. Reposer le corps inférieur dans le protecteur. Faire tenir la tête du nettoyeur en place à l'aide des 4 vis (2 longues, 2 courtes - Figure 33).

REMARQUE : Ne pas déloger la jupe d'aspiration en caoutchouc pendant que l'on introduit le corps inférieur au-delà de la bague de la brosse.

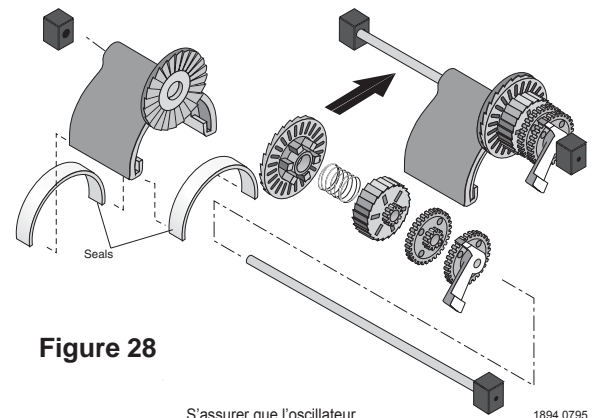


Figure 28

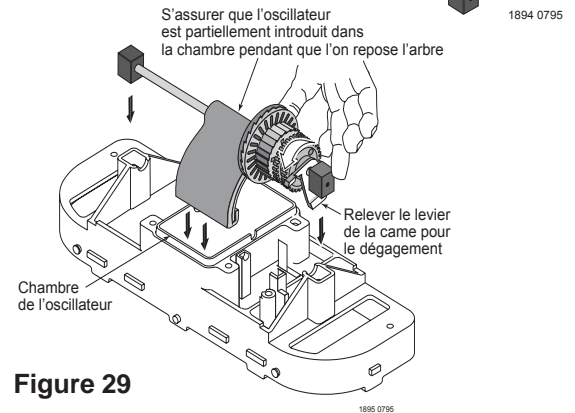


Figure 29

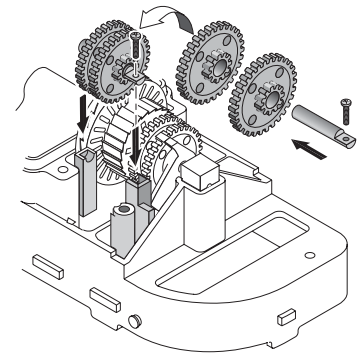


Figure 30

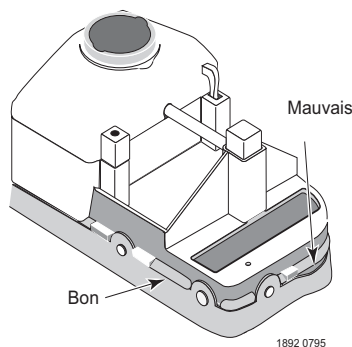


Figure 32

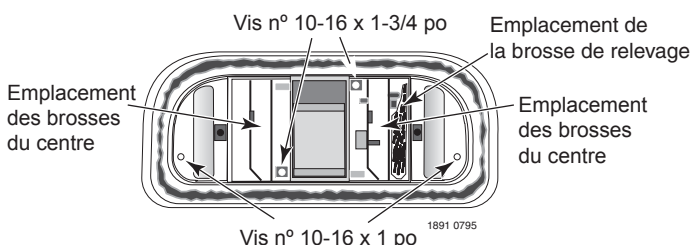


Figure 33

Vue du dessous du nettoyeur

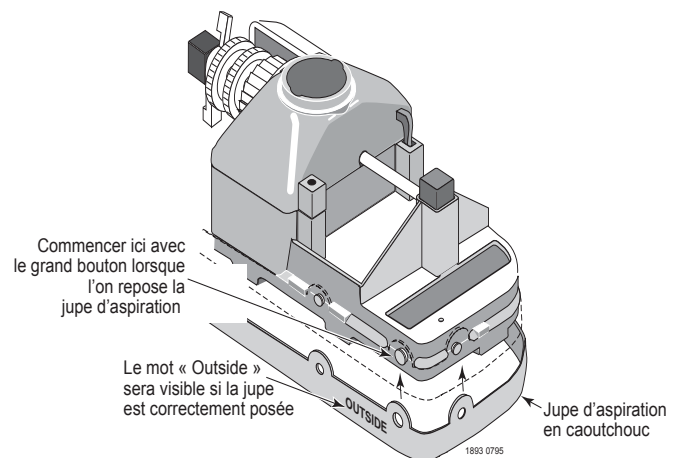
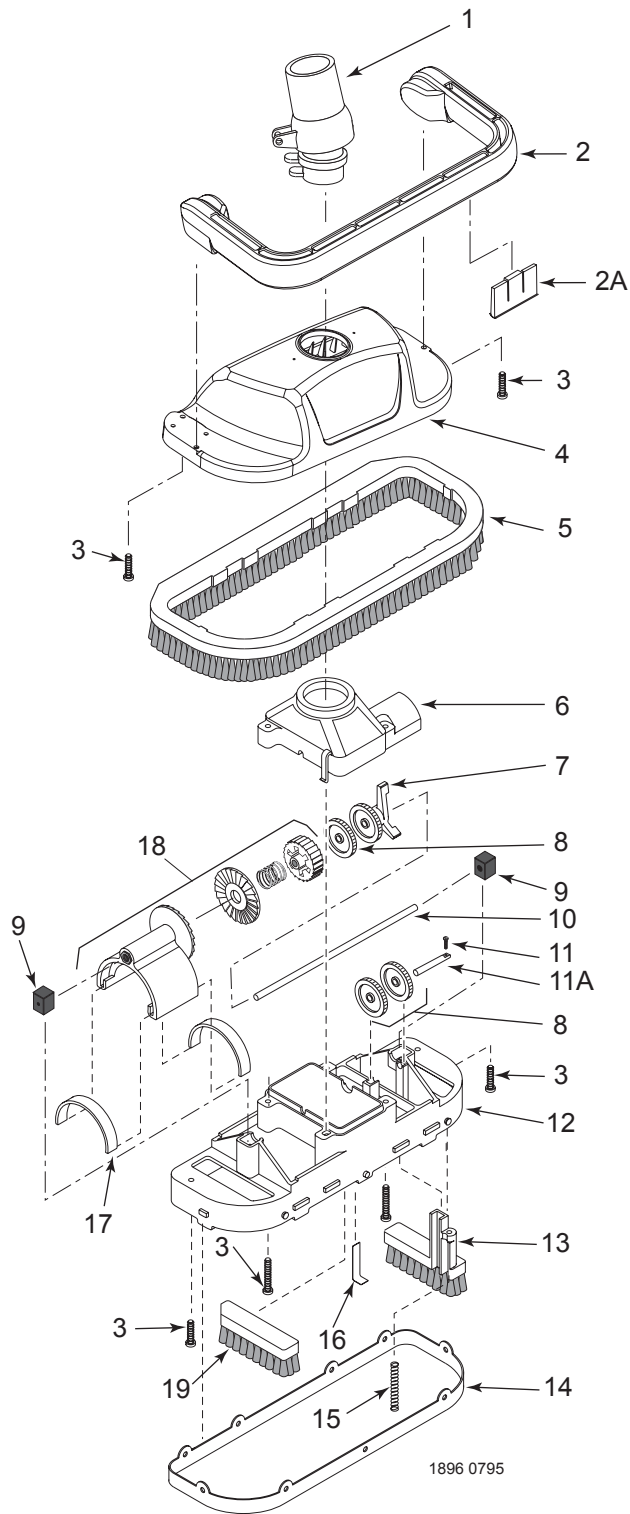
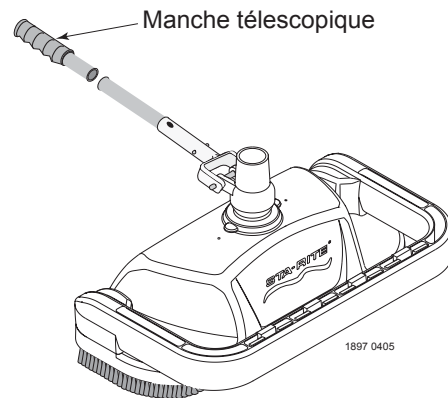


Figure 31

## Pièces de rechange illustrées



## Accessoires en option



Réf.	Description des pièces	No. des pièces
1	Embout oscillant	GW9012
2	Butoir	GW9502
2A	Trousse de garnitures de butoir (jeu de 4)	GW9520
3	Trousse de vis (4 courtes, 2 longues)	GW9504
4	Protecteur	GW9501
5	Bague de brosse	GW9505
6	Couvercle de la chambre de l'oscillateur	GW9506
7	Trousse de cames (à 2 et 3 pattes)	GW9507
8	Trousse de pignons tendeurs (3)	GW9509
9	Trousse de cales (2)	GW9512
10	Arbre long à pignons (en acier inoxydable)	GW9513
11	Vis de pression auto-taraudeuse n° 4##	
11A	Trousse d'arbre en acier inoxydable (y compris la vis de pression)	GW9536
12	Corps inférieur*	GW9535
13	Brosse de relevage	GW9517
14	Jupe d'aspiration	GW9508
15	Ressort de la brosse de relevage	GW9522
16	Patte de cliquet (en acier inoxydable)	GW9523
17	Trousse de joints d'oscillateur (2)	GW9004
18	Trousse d'oscillateur (comprend Réf.17) (cliquet pas vendu séparément)	GW9503
19	Trousse des brosses du centre (2)	GW9013
	• Trousse de tuyau, 12 sections, chacune 4 pi	41200-0131
	• Régulateur d'aspiration	41200-0200
	• Couvercle du régulateur d'aspiration	41200-0211
	• Cône de réduction	GW9015
	• Manche Unidapt	GW9019
	• Raccord d'orifice d'aspiration	GW9530
	• Débitmètre	41200-0210

• Non illustré

\* Comprend les Réf. 6, 11A, 13, 15, 16, deux pignons tendeurs et 2 cames à levier.

## Non disponible séparément

## Section 5

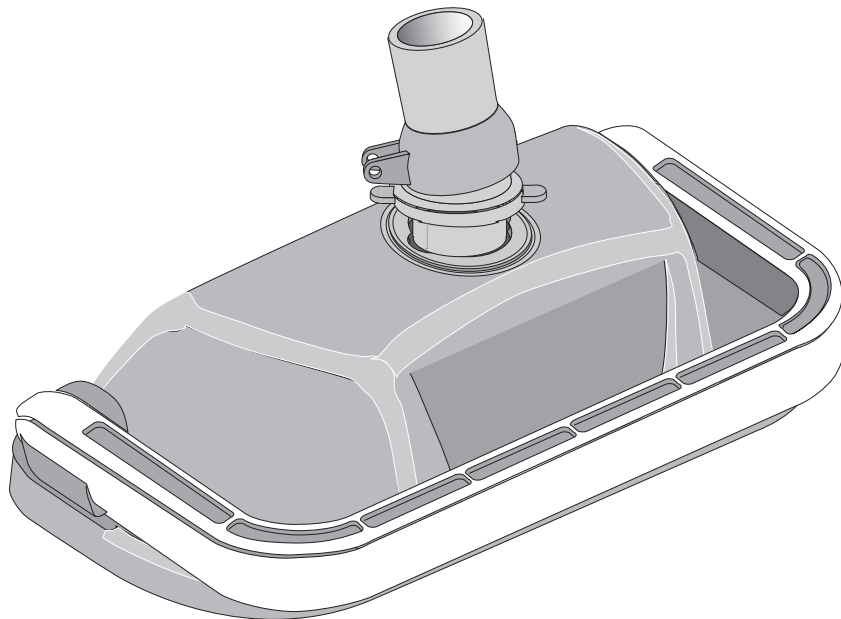
## Recherche des pannes

SITUATION	SOLUTIONS :
<p><b>Le nettoyeur ne fonctionne pas.</b> <b>L'oscillateur est très lent.</b></p>	<ol style="list-style-type: none"> <li>1. Laver le filtre à contre-courant et/ou le nettoyer. Vider tous les paniers. Ceci devrait permettre au nettoyeur d'atteindre son régime d'oscillations désiré de 400 à 600 fois par minute.</li> <li>2. Enlever tous les débris de la chambre de l'oscillateur, du tuyau ou de la dérivation de la plaque d'aspiration</li> <li>3. Réparer toutes les sources de fuites d'aspiration (plaque d'aspiration fissurée, plaque d'aspiration ou cône de réduction ne reposant pas adéquatement, tuyau fissuré, régulateur d'aspiration mal réglé.)</li> <li>4. Régler les robinets de façon à obtenir une aspiration maximale côté orifice d'aspiration ou écumoire sur lequel le tuyau est branché. Fermer légèrement ou complètement le robinet de l'écumoire et du drain principal. Remarque : Le système hydraulique de chaque piscine est différent. Il faudra peut-être procéder à plusieurs réglages du robinet de l'écumoire et du drain de fond pour que le nettoyeur fonctionne parfaitement bien. Une fois un meilleur réglage obtenu, faire un repère de cette position sur les robinets.</li> <li>5. Le système de filtration (la pompe) ne produit pas suffisamment d'aspiration. Consulter un professionnel en piscines.</li> <li>6. Si l'eau est chaude, le tuyau peut se pincer. S'il est vieux, il peut fuir (fissure ou trous) ou bien s'effriter. Le remplacer par un neuf. <b>REMARQUE :</b> Pour bien fonctionner, le tuyau doit être de marque Great White.</li> </ol>
<p><b>Le nettoyeur monte au-delà de la ligne d'eau de la piscine et la pompe se désamorce</b></p>	<ol style="list-style-type: none"> <li>1. L'oscillateur fonctionne trop rapidement. S'assurer que le régulateur d'aspiration est posé et bien réglé.</li> <li>2. Si l'opération 1 ne permet pas de résoudre le problème, ouvrir légèrement le robinet du drain principal jusqu'à ce que le nettoyeur ne sorte plus de la piscine.</li> </ol>
<p><b>Le nettoyeur ne nettoie pas comme prévu.</b></p>	<ol style="list-style-type: none"> <li>1. Un système de filtration propre permet au nettoyeur de se déplacer plus rapidement. Ne pas oublier non plus de nettoyer tous les paniers.</li> <li>2. Il faut entre 6 et 8 heures pour nettoyer une piscine à doublure en vinyle à grand bain profond conique. Pendant cette durée, le nettoyeur devrait effectuer au moins 4 passages dans la partie la moins profonde. Sinon, appeler le Service clientèle en composant le 1-800-831-7133.</li> <li>3. Examiner le mécanisme de relevage de la brosse pendant que le nettoyeur fonctionne. Pour cela, le nettoyeur devra être inversé pendant qu'il fonctionne et qu'il est immergé. Si ce mécanisme ne se déplace pas à la position " basse " dans les 2 minutes qui suivent, appeler le Service clientèle en composant le 1-800-831-7133.</li> <li>4. Il n'est pas conçu pour fonctionner sous un couvre piscine solaire. En présence d'un couvre piscine, un nettoyage minimal sera réalisé.</li> <li>5. N'importe quel nettoyeur peut manquer un endroit. Ce nettoyeur est prévu pour recevoir un manche télescopique si on utilise le manche qui se trouve dans le sachet des accessoires. Utiliser ce manche pour nettoyer les marches, etc.</li> </ol>
<p><b>Le nettoyeur reste " collé " au même endroit (plus de 15 minutes).</b></p>	<ol style="list-style-type: none"> <li>1. Examiner le mécanisme de relevage de la brosse pendant que le nettoyeur fonctionne. Pour cela, le nettoyeur devra être inversé pendant qu'il fonctionne et qu'il est immergé. Si ce mécanisme ne se déplace pas à la position " basse " dans les 2 minutes qui suivent, appeler le Service clientèle en composant le 1-800-831-7133.</li> </ol>
<p><b>Les escaliers ne sont pas nettoyés.</b></p>	<ol style="list-style-type: none"> <li>1. Le nettoyeur n'est pas conçu pour les nettoyer. Pour cela, utiliser le manche télescopique.</li> </ol>
<p><b>Le nettoyeur se retourne lorsque la pompe s'arrête.</b></p>	<ol style="list-style-type: none"> <li>1. Ceci est normal avec certains systèmes de filtration qui produisent une contre-pression excessive lorsqu'ils s'arrêtent. Le nettoyeur se redressera dès que le système redémarrera.</li> </ol>
<p><b>Le tuyau se débranche lorsque la pompe s'arrête.</b></p>	<ol style="list-style-type: none"> <li>1. Poser le cône de réduction dans l'écumoire ou l'orifice d'aspiration.</li> </ol>
<p><b>Le nettoyeur reste sur place et le tuyau est complètement allongé</b></p>	<ol style="list-style-type: none"> <li>1. Le tuyau est peut-être trop court. Sa longueur se mesure du point où il est branché jusqu'au point le plus éloigné de la piscine, plus une longueur additionnelle minimale de 1,22 (4 pieds). Au besoin, acheter une longueur de tuyau chez un marchand local. Ne pas couper cette rallonge - l'utiliser telle quelle, même si elle est un peu trop longue.</li> </ol>
<p><b>Le tuyau ne cesse de s'enrouler.</b></p>	<ol style="list-style-type: none"> <li>1. Pour obtenir de meilleurs résultats, et lorsque le tuyau n'est pas utilisé, le remettre bien droit et bien à plat.</li> <li>2. Avant de l'utiliser, l'étendre à plat et bien droit au soleil pendant quelques heures.</li> </ol>
<p><b>Le nettoyeur ne nettoie pas la partie peu profonde de la piscine.</b></p>	<ol style="list-style-type: none"> <li>1. Des garnitures de butoir (voir Réf. 2A, Page 18) permettent au nettoyeur de mieux flotter et d'accéder plus facilement à la partie peu profonde de la piscine. Ne pas les introduire par le haut, sinon elles se coinceront et ne fonctionneront pas adéquatement. Ne les insérer que par le bas.</li> <li>2. Si le butoir semble ramener le nettoyeur à la surface de la piscine, de l'air est peut-être emprisonné dans le nettoyeur et le tuyau. Dans ce cas, enlever une des garnitures et voir si le nettoyeur reste au fond de la piscine pendant qu'il fonctionne. Sinon, enlever une garniture à la fois jusqu'à ce que le nettoyeur reste au fond de la piscine et fonctionne adéquatement.</li> </ol>

Page vierge



**Great White™**  
Limpiador Automático de Piscinas



# Guía de instalación y del usuario

**INSTRUCCIONES IMPORTANTES DE SEGURIDAD**  
**LEA Y OBSERVE TODAS LAS INSTRUCCIONES**  
**GUARDE ESTAS INSTRUCCIONES**

## Soporte técnico

**Sanford, North Carolina** (8 A.M. a 5 P.M.)

**Moorpark, California** (8 A.M. a 5 P.M.)

**Teléfono:** (800) 831-7133

**Fax:** (800) 284-4151

**Sitios web:** visite [www.pentairpool.com](http://www.pentairpool.com) y [staritepool.com](http://staritepool.com)

Protegidas por una o más de las siguientes Patentes de los Estados Unidos y todas las correspondientes contrapartes extranjeras: Patente de los EE.UU. Núm. 5,293,659, 5,303,444, 5,371,910, 5,386,607, 5,469,596, 5,664,275, 5,799,351, y 5,974,647

© 2007 Pentair Water Pool and Spa, Inc. Todos los derechos reservados

**Este documento está sujeto a cambios sin previo aviso**

1620 Hawkins Ave., Sanford, NC 27330 • (919) 566-8000  
10951 West Los Angeles Ave., Moorpark, CA 93021 • (805) 553-5000

### **Marcas comerciales y descargo de responsabilidad:**

Great White™ y Pentair Water Pool and Spa™ son marcas registradas de Pentair Water Pool and Spa, Inc. en los Estados Unidos y/u en otros países. A menos que sea indicado, los nombres y marcas de otros que puedan ser utilizados en este documento no son utilizados para indicar una afiliación o endoso entre los propietarios de estos nombres y marcas y Pentair Water Pool and Spa, Inc. Esos nombres y marcas pueden ser las marcas comerciales o registradas de esas partes u otros.

PN789 (Rev B) - 7 de diciembre de 2007

## Contents

<b>Precauciones importantes de seguridad .....</b>	<b>ii</b>
<b>Sección 1: Visión general .....</b>	<b>1</b>
Preparación de su piscina .....	2
Ensamblaje del limpiador .....	2
Ensamblaje de la manguera .....	3
<b>Sección 2: Instalación .....</b>	<b>5</b>
Instalación convencional .....	5
Instalación opcional .....	8
<b>Sección 3: Funcionamiento .....</b>	<b>11</b>
Funcionamiento y movimiento del limpiador .....	11
Sonido de chasquido .....	11
Movimiento alrededor de la piscina .....	11
Recogido de "cosas grandes" .....	11
Calibración de válvulas y conexiones .....	12
Ajustes de las válvulas (bomba, espumadera y desagüe principal) y de la succión .....	12
¿Demasiada succión? .....	12
¿No hay suficiente succión? .....	12
Envase integrado para recoger hojas .....	13
Conexión a la espumadera .....	13
Planchas de succión de la espumadera .....	13
Reguladores del control de la succión de las planchas de succión de la espumadera .....	13
<b>Sección 4: Mantenimiento por parte del usuario .....</b>	<b>15</b>
Almacenamiento de la manguera .....	15
Desmontaje .....	16
Reensamblaje .....	17
Listado ilustrado de piezas de repuesto .....	18
<b>Sección 5: Localización y solución de problemas .....</b>	<b>19</b>

## PRECAUCIONES IMPORTANTES DE SEGURIDAD



### AVISO IMPORTANTE:

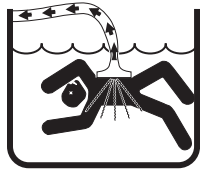
**Atención instalador:** Este manual contiene importantes instrucciones acerca de la instalación, el funcionamiento y uso seguro de este producto. Esta información debe ser proporcionada al propietario / operador de este equipo.



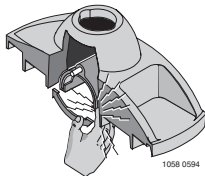
**ADVERTENCIA** — Antes de instalar este producto, lea y observe todos los avisos e instrucciones que acompañan esta guía. El no observar las advertencias de seguridad y las instrucciones puede tener consecuencias de lesiones graves, muerte o daños a la propiedad. Llame al (800) 831-7133 para obtener gratuitamente copias adicionales de estas instrucciones.



**ADVERTENCIA** — **Succión peligrosa. Puede atrapar y desgarrar el cabello o partes del cuerpo. Puede provocar ahogamiento. No juegue con el limpiador o con la manguera ni lo aplique al cuerpo. No permita que los niños usen o jueguen con el limpiador de piscinas. Detenga la bomba antes de tratar de limpiar la unidad.**



**PRECAUCIÓN** — **El oscilador puede lesionar las manos o los dedos. Detenga la bomba antes de intentar de limpiar el cabezal del limpiador de piscinas.**



**ADVERTENCIA** — **La manguera puede causar que los nadadores se tropiecen o se enreden. No permita nadadores en la piscina mientras el limpiador de piscinas esté funcionando.**

## Información general acerca de la instalación

### Lista de chequeo antes de la instalación

#### Antes de instalar el limpiador en una piscina con revestimiento vinílico:

Verifique cuidadosamente que el revestimiento no tenga señales de deterioro o de daños provocados por la antigüedad, químicos, daños a las paredes de la piscina, etc. Si descubre cualquier daño, haga que un técnico profesional de piscinas realice las reparaciones necesarias. Además, si hay piedras, raíces, etc., debajo del revestimiento, éstas deberán ser retiradas antes de instalar el limpiador.

#### Antes de instalar el limpiador en una piscina de gunita o en una piscina que está parcial o totalmente cubierta de azulejos:

Repare los azulejos que se encuentren flojos y ajuste las anillas de las luces que estén sueltas.

#### Antes de instalar el limpiador, limpie su sistema de filtración:

Asegúrese de haber limpiado el filtro, incluyendo el retrolavado, enjuague y vaciado de todas las cestas. Es necesario tener un sistema limpio para lograr un buen funcionamiento y una buena cobertura en la limpieza.



## PRECAUCIONES IMPORTANTES DE SEGURIDAD (Continuación)

### Información general acerca de la instalación (continuación)

#### Antes de instalar el limpiador, llene la manguera con agua:

Siempre asegúrese que el cabezal del limpiador esté sumergido y que la manguera esté llena de agua antes de conectarla al sistema de filtración (ya sea a través de una espumadora o de un aditamento dedicado en la pared). Aire en el sistema puede dañar la bomba como resultado de un funcionamiento en seco y un recalentamiento.

#### Antes de instalar el limpiador, debe conocer la cobertura del limpiador:

El limpiador ha sido diseñado para eliminar la suciedad de su piscina en aproximadamente 4 a 6 horas. Dependiendo del tamaño de la piscina, puede ser que se requiera menos tiempo.

El limpiador no ha sido diseñado para limpiar automáticamente escalones o escaleras ni para funcionar por debajo de una cubierta solar. Tampoco ha sido diseñado para realizar la limpieza inicial de una piscina nueva o de una piscina que se vuelve a utilizar para la temporada.

**⚠ ADVERTENCIA** — Peligro de quedar atrapado, lesionarse o ahogarse. Si su piscina tiene un orificio de entrada para succión dedicado ("vac port") para la aspiración o para un limpiador automático de piscinas, el mismo debe ser cubierto cuando no se esté utilizando.

Una cubierta de seguridad a resorte está incluida con su limpiador. Colóquela en el orificio de succión para evitar quedar atrapado y sufrir lesiones.

Página en blanco

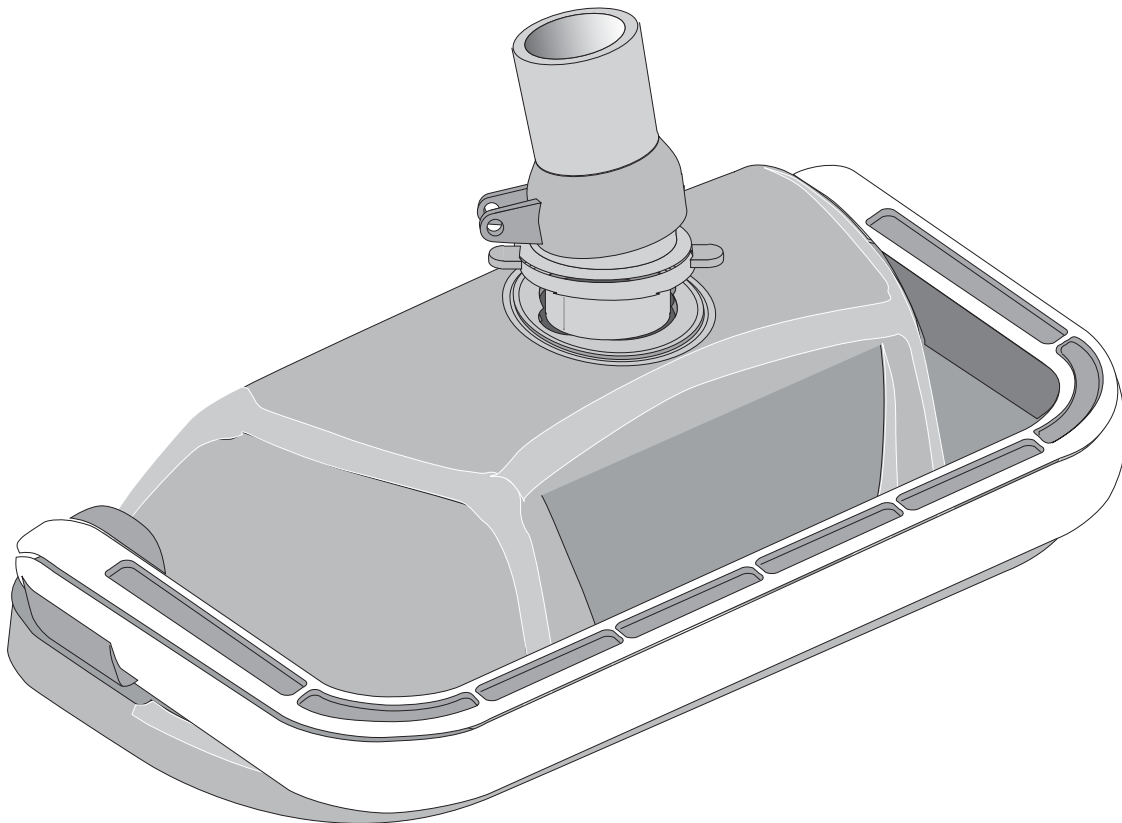
# Sección 1

---

## Visión General

### Limpiador automático Great White para piscinas bajo suelo

¡Felicidades por su compra del mejor limpiador de piscinas del mundo! Nada es realmente comparable a la habilidad de Great White para hacer que la suciedad desaparezca. Con su sendero de limpieza de 15" y su singular propulsión por cerdas, su limpiador automático de piscinas bajo suelo Great White proporcionará una limpieza rápida del área total de cobertura de su piscina.

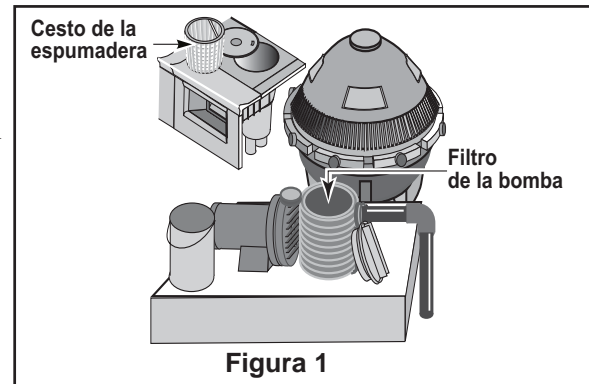


Limpiador automático Great White  
para piscinas bajo suelo Modelo GW9500

## Preparación de su piscina

Antes de que usted ensamble e instale su limpiador automático de piscinas Great White, deberá asegurarse que su piscina esté limpia y libre de algas. Si fuera necesario, haga los siguientes preparativos antes de proceder.

- Estabilice químicamente el agua de la piscina
- Barra la piscina y permita que los desechos se asienten
- Limpie cuidadosamente a mano la piscina con la aspiradora
- Limpie el filtro y el filtro de la bomba (Figura 1)

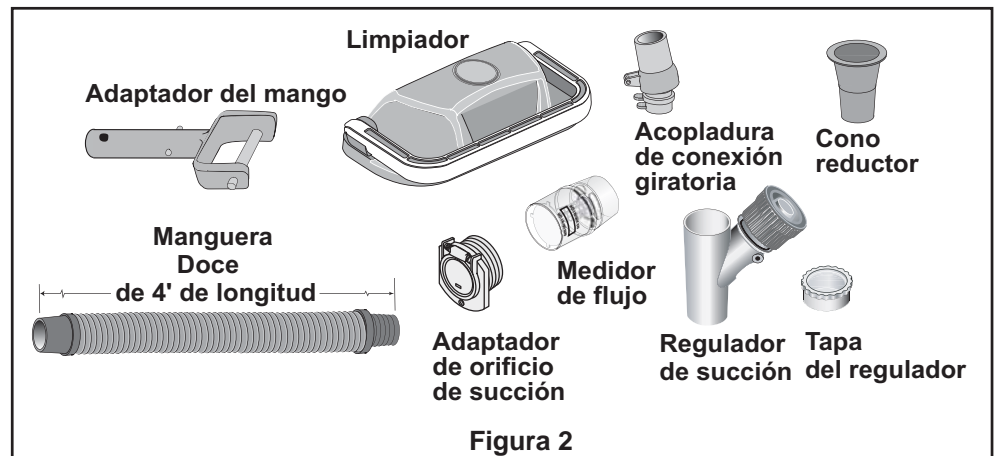


## Ensamblaje del limpiador

### 1. Piezas a ser verificadas

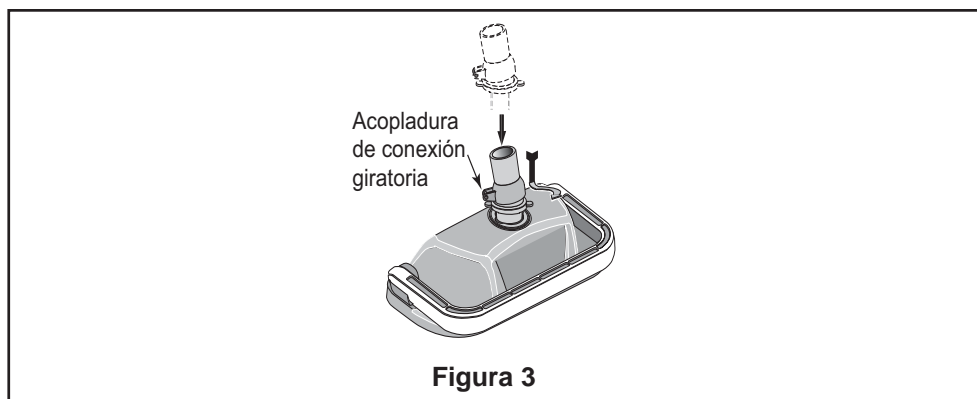
Remueva el limpiador Great White y todas sus piezas de la caja y verifique que todos los componentes fueron incluidos (Figura 2).

- Limpiador
- Acopladura de conexión giratoria
- Adaptador del mango
- Cono reductor
- Manguera: Doce de 4" de longitud
- Regulador de succión
- Tapa del regulador
- Adaptador de orificio de succión
- Medidor de flujo



### 2. Anexando la acopladura de conexión giratoria al cabezal del limpiador

Es muy fácil instalar la acopladura de conexión giratoria. Simplemente introdúzcala en el cuerpo del limpiador y déle un cuarto de vuelta (Figura 3). Si conecta un mango "unidapt" a la conexión giratoria para aspirar manualmente, asegúrese de que sea un mango "unidapt" flotante especial provisto con el limpiador, (Pieza de repuesto No. GW9019). El uso de un mango "unidapt" diferente dificultará el desempeño del limpiador.



## Ensamblaje de la manguera

### Ensamble la manguera

La unidad incluye doce secciones de mangueras, cada una consta de cuatro pies (4') de longitud (Figura 4).

**No corte la longitud de la manguera.** Usted tendrá que conectar estas secciones de 4' para crear una manguera combinada de una longitud que sea al menos 4' más larga que la distancia desde el origen de su succión (ya sea la espumadera o la línea de succión dedicada) al punto más lejano en la piscina (Figura 5). Conecte las mangueras torciendo y empujando los extremos hembra sobre los extremos machos después de mojar los extremos en la piscina (Figura 6). **Una sección especial "líder" de la manguera ha sido diseñada para ser conectada a la acopladura de conexión giratoria del limpiador y por consiguiente tiene un dobladillo de manguera más grande que los otros trozos de mangueras (Figuras 7 y 8).**

El dejar de utilizar esta sección líder de la manguera para acoplar la manguera a la acopladura de conexión giratoria del limpiador afectará el desempeño de su limpiador. Si mangueras adicionales son requeridas, utilice solamente mangueras adquiridas a través de su distribuidor Pentair Water Pool and Spa (encargue la pieza de repuesto No. 41200-0131). La utilización de mangueras de otro fabricante afectará la cobertura del limpiador.

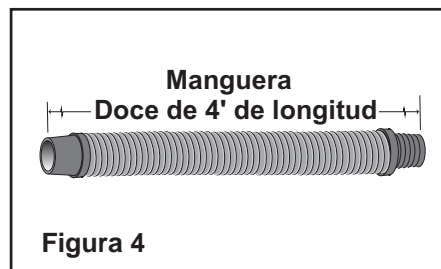


Figura 4

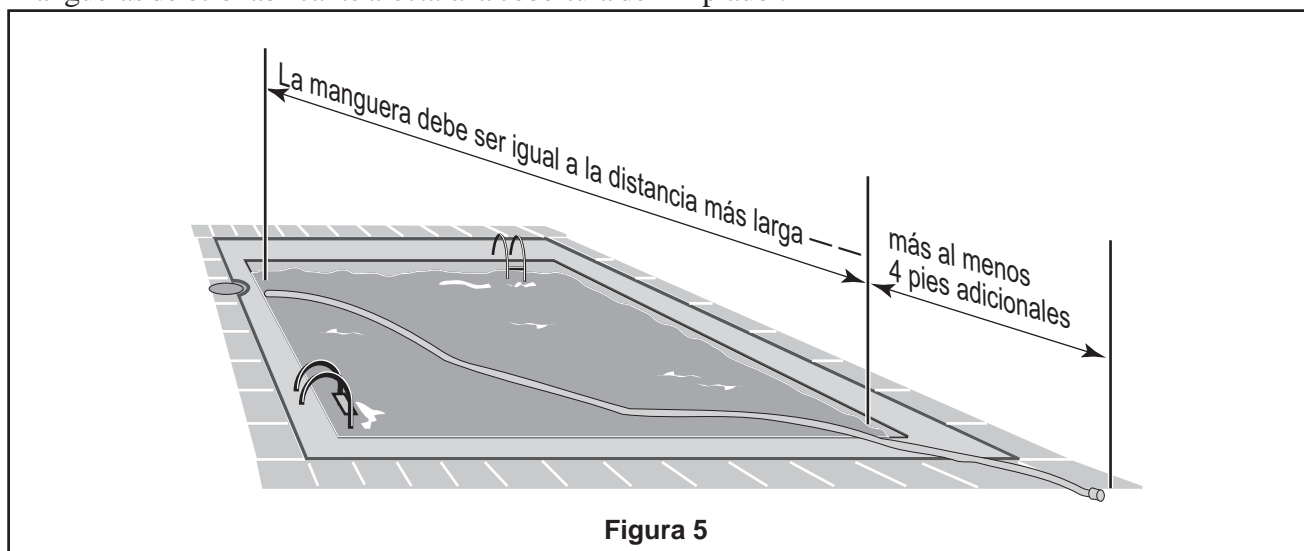


Figura 5

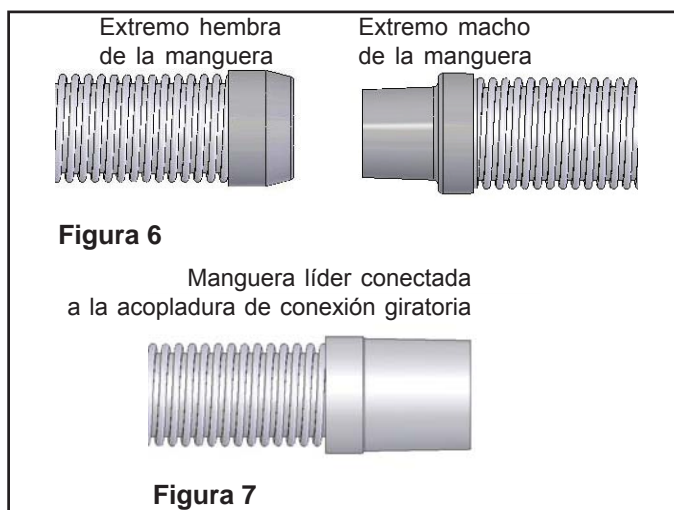


Figura 6

Manguera líder conectada a la acopladura de conexión giratoria

Figura 7

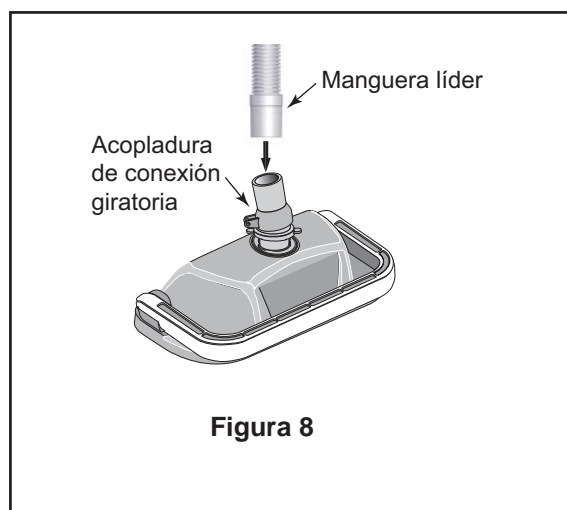


Figura 8

Página en blanco

## Sección 2

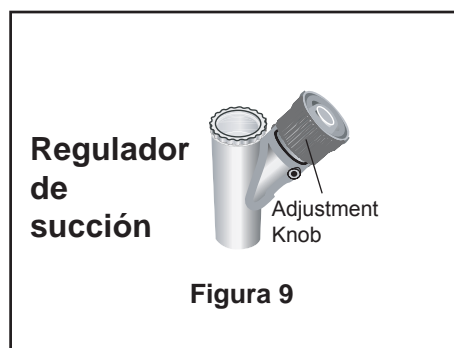
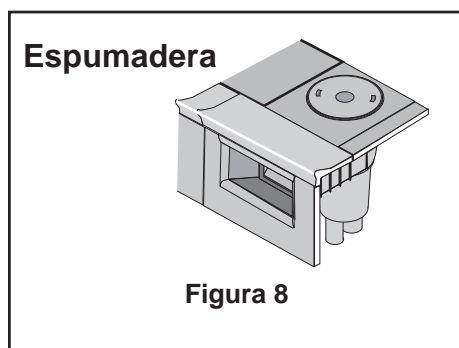
# Instalación

Esta sección describe cómo instalar el limpiador de piscinas Great White. Great White está diseñado para trabajar en una amplia variedad de estilos de piscinas. Las instalaciones con una espumadera y con el orificio de entrada dedicado para la succión son mencionadas a continuación. Si la configuración de su piscina no es igual a ninguno de los ejemplos, comuníquese con su distribuidor Pentair Water Pool and Spa para obtener asistencia, o llama al número de teléfono libre de cargos de la Línea de ayuda para los clientes al 1-800-831-7133.

### Instalación convencional

#### Para piscinas con una espumadera, utilizando un regulador de succión

- El fabricante recomienda la **Instalación convencional**. La ventaja de esta instalación es la utilización del regulador de succión (Figura 9) para equilibrar el flujo de agua entre la espumadera y el limpiador de piscinas Great White. El regulador de succión puede ser ajustado a los cambios en la cantidad de flujo de agua para proporcionar a Great White la potencia necesaria para así asegurar un desempeño apropiado de limpieza, y el fabricante enfáticamente recomienda su uso para máxima seguridad y desempeño.



#### 1. Apague la bomba de la piscina

#### 2. Ajuste las válvulas para succión

Ajuste las válvulas de la bomba (si su sistema tiene válvulas) para dirigir toda la succión a la espumadera. Cierre el desagüe principal y todas las líneas de succión, a excepción de la línea que proviene de la espumadera y a la cual Great White será conectado.

#### 3. Remueva la canasta de la espumadera

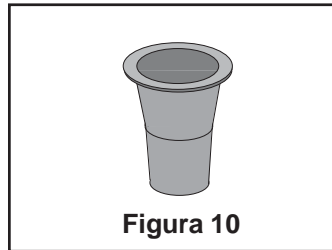
#### 4. Instale el regulador de succión

**⚠ ¡ADVERTENCIA! Succión peligrosa. Puede causar que una persona quede atrapada con graves lesiones personales o ahogarse.**

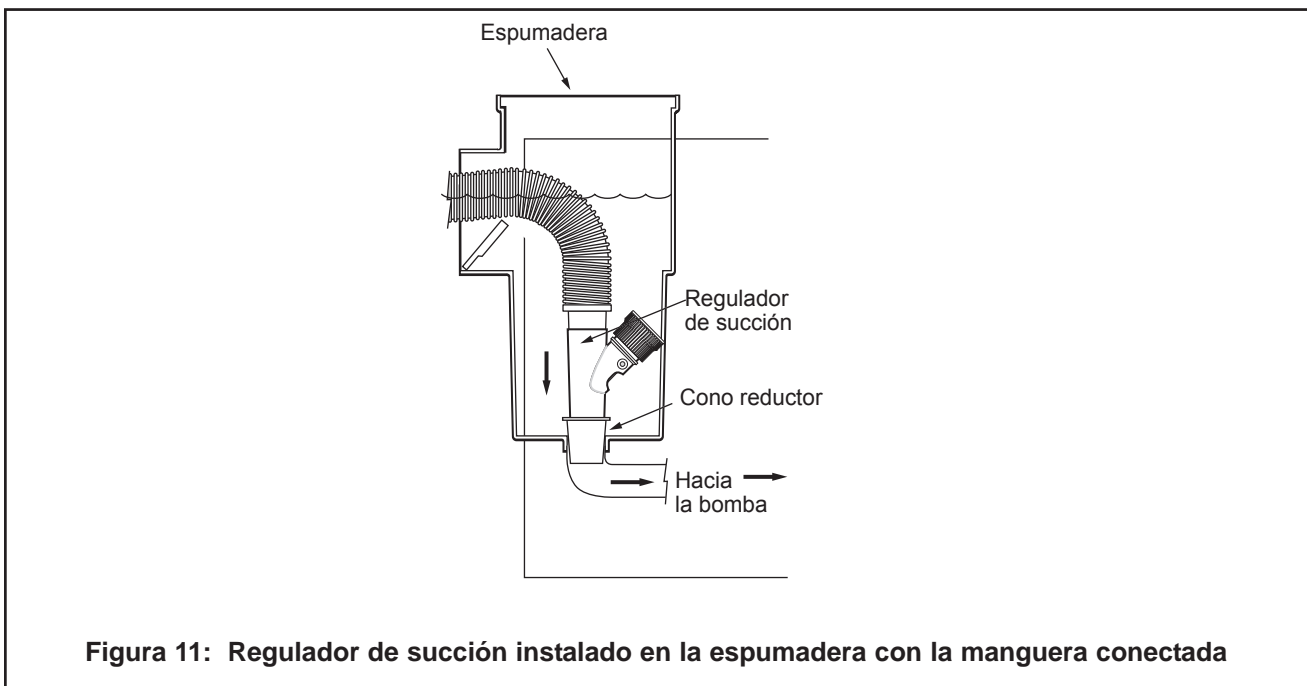
Utilice en todo momento el regulador de succión junto con su sistema de limpiador de piscinas. El regulador de succión tiene una perilla de ajuste (Figura 9). Si la succión es muy fuerte, gire la perilla hacia la izquierda para disminuir la succión. Si hay poca succión, gire la perilla hacia la derecha para aumentar la succión.

## Instalación convencional (Continuación)

El regulador de succión debe ser instalado junto con el cono reductor (Figura 10). El cono reductor es requerido para hacer la mayoría de las conexiones con una espumadera. El mismo mantendrá la manguera y el regulador de succión en su lugar cuando el sistema de filtración esté detenido.



Para instalar el regulador de succión, inserte el regulador de succión y el cono reductor en la espumadera. Conecte el extremo de la manguera al regulador (Figura 11).



Asegúrese que el regulador de succión esté sumergido en todo momento. Si no lo está, la bomba succionará aire a través del regulador de succión y perderá cebadura. Esto podría dañar la bomba.



## Instalación convencional (Continuación)

### 5. Verifique el flujo

Con el desagüe principal cerrado y uno de los extremos de la manguera conectado al regulador instalado en la espumadera, inserte el medidor de flujo en el otro extremo de la manguera. Mantenga la manguera y el medidor de flujo debajo del agua. Encienda la bomba. Con la bomba en marcha, ajuste el regulador de succión (en su espumadera) hasta que el indicador en el medidor de flujo se encuentre entre el mínimo y el máximo de flujo (Figura 12). Remueva el medidor de flujo y proceda al paso 6.

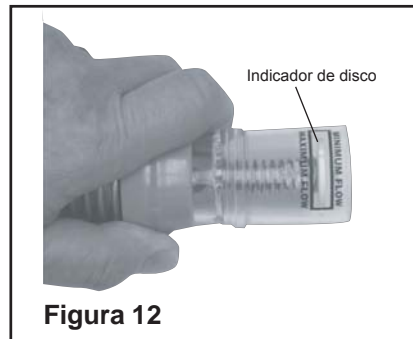


Figura 12

### 6. Conecte la manguera a la acopladura de conexión giratoria del limpiador

Conecte el dobladillo grande de la manguera (Figura 13) de la manguera líder a la acopladura de conexión giratoria en el cabezal del limpiador (Figura 13). Empuje el limpiador dentro de la piscina y deje que se hunda hasta que llegue al fondo (Figura 14).

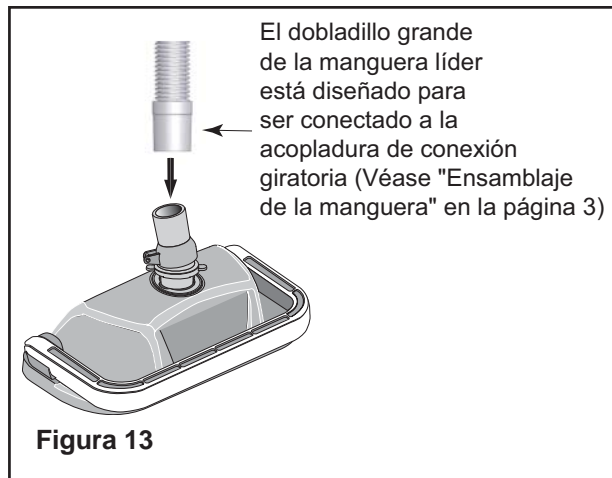


Figura 13

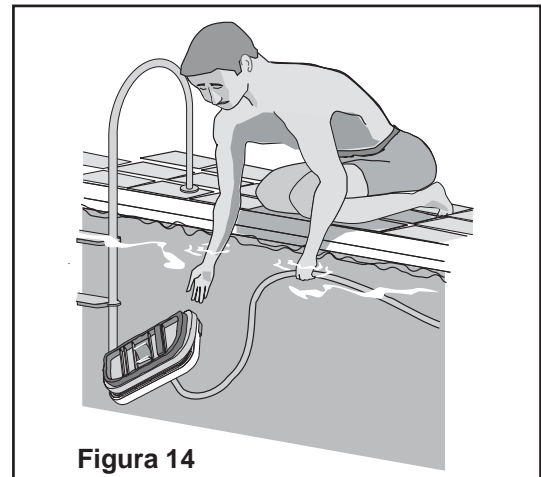


Figura 14

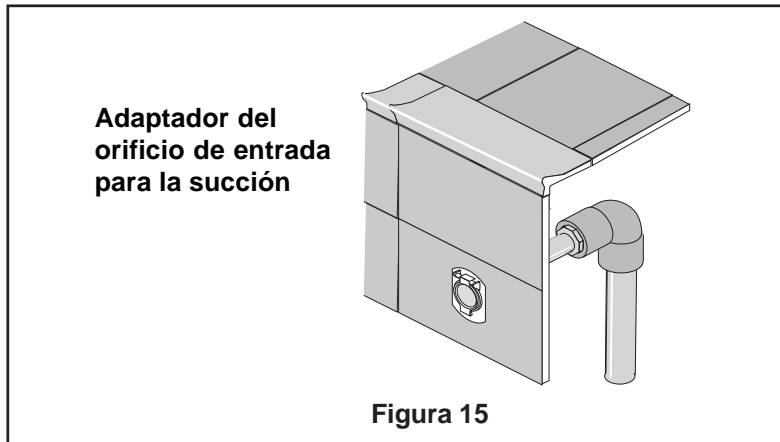
### 7. Encienda la bomba de la piscina

Después de completar la instalación, encienda la bomba de la piscina y déjela correr por un par de minutos para asegurarse que todos los ciclos de aire estén fuera del sistema.

## Instalación opcional

### Instalación con orificio de entrada para succión dedicado y con un regulador de succión en la espumadera

- Si su piscina tiene un orificio de entrada dedicado para succión (Figura 15), usted puede instalar a Great White utilizando la **Instalación opcional**.



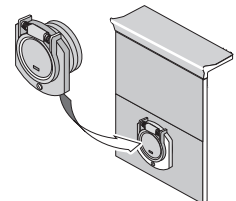
#### 1. Apague la bomba de la piscina

#### 2. Ajuste las válvulas para succión

Ajuste las válvulas de la bomba (si su sistema tiene válvulas) a dirigir toda la succión a la línea dedicada de succión y a la espumadera. Cierre el desagüe principal y todas las líneas de succión, a excepción de la línea dedicada de succión a la cual Great White será conectado, y la espumadera en donde el regulador de succión será instalado.

#### 3. Instale el adaptador de puerta del orificio de entrada de succión dedicado

**⚠ ¡ADVERTENCIA! Peligro de quedar atrapado, lesionarse o ahogarse. Si su piscina tiene un orificio de entrada para succión dedicado ("vac port") para la aspiración o para un limpiador automático de piscinas, el mismo debe ser cubierto cuando no se esté utilizando.**



Una cubierta de seguridad a resorte (adaptador del orificio de entrada dedicado para succión) está incluida con su limpiador de piscinas (Figura 16). Instálelo en la línea dedicada de succión para evitar quedar atrapado y sufrir lesiones. Para detalles, por favor haga referencia a la hoja de instrucciones del orificio de entrada dedicado para la succión que ha sido incluida con su adaptador del orificio de entrada dedicado para la succión. Para instalar el adaptador del orificio de entrada dedicado para la succión:

- 1 Atornille el adaptador del orificio de entrada dedicado para la succión en la abertura de la línea dedicada de succión.
- 2 Oriente el adaptador del orificio de entrada de succión dedicado de modo que la flecha en la puerta apunte hacia arriba.
- 3 Asegure la cobertura apretando el tornillo allen que está localizado en la puerta, dentro del adaptador de la línea dedicada de succión

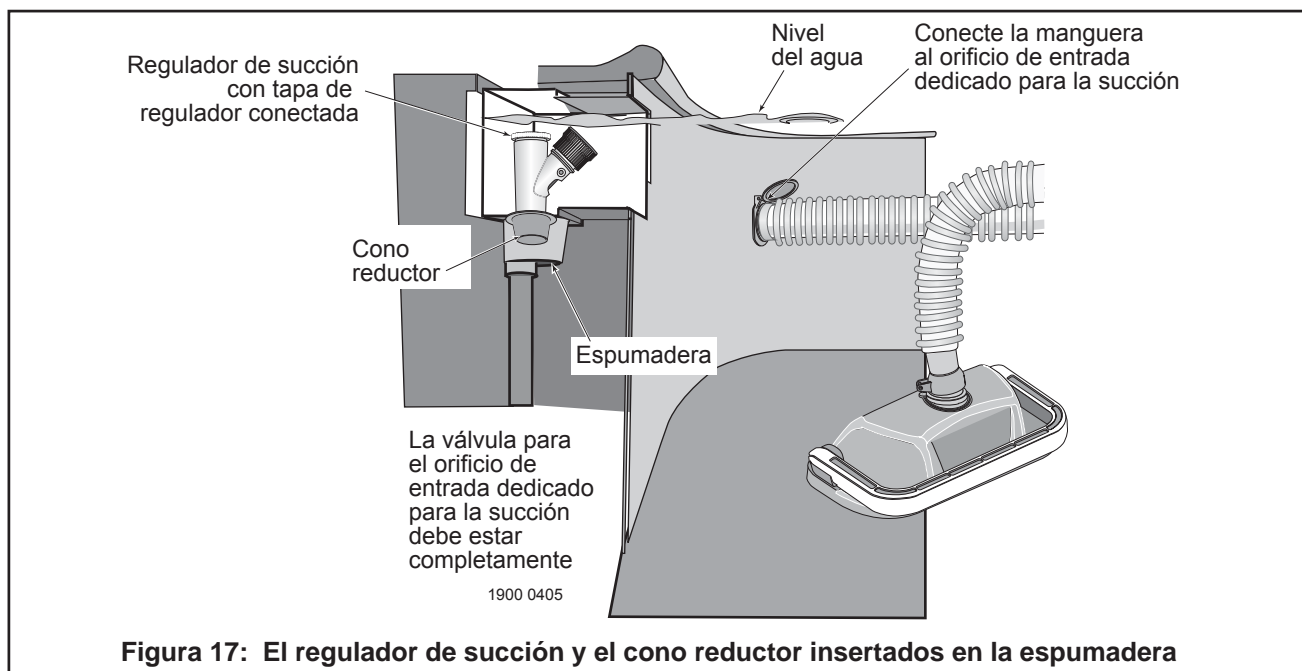
#### 4. Remueva la canasta de la espumadera

## Instalación opcional (Continuación)

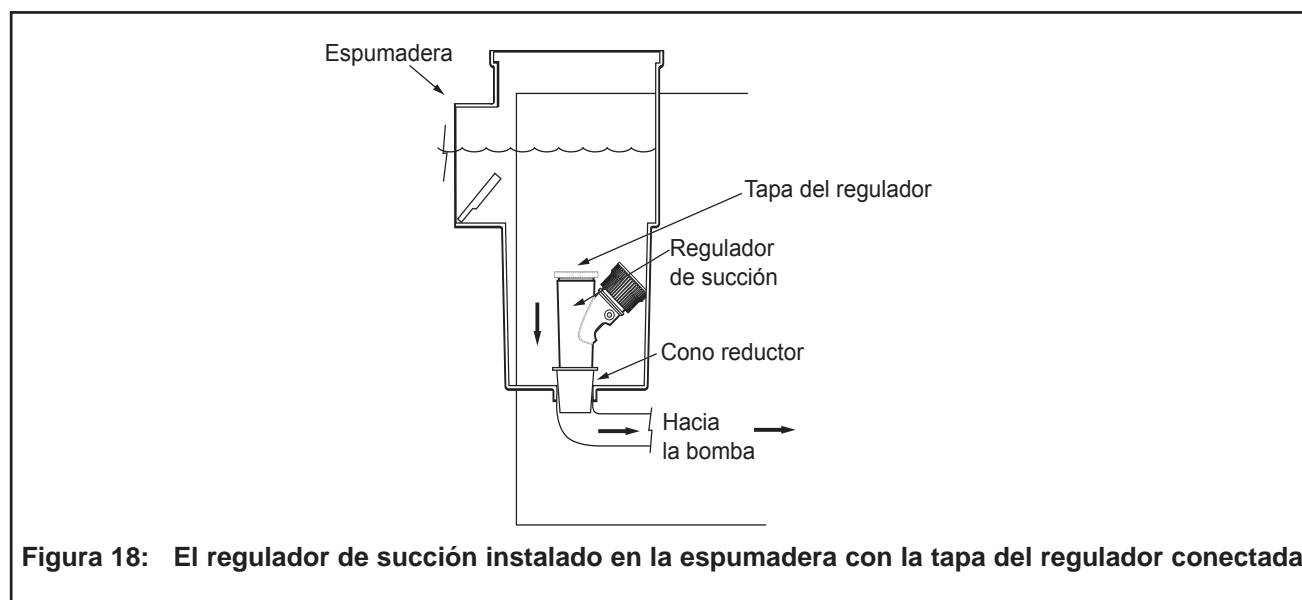
### 5. Instale el regulador de succión

**⚠ ¡ADVERTENCIA! Succión peligrosa. Puede causar que una persona quede atrapada con graves lesiones personales o ahogarse.**

Para instalar el regulador de succión, inserte el regulador de succión y el cono reductor en la espumadera (Figura 17).



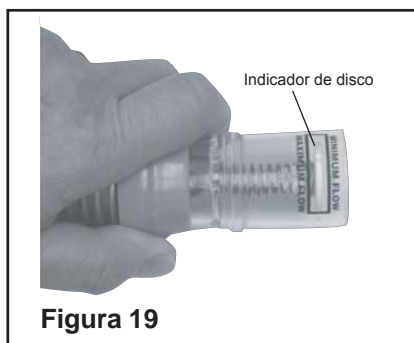
Para evitar que el agua fluya por la parte superior del regulador de succión, conecte la tapa de regulador al regulador de succión (Figura 18). Conecte el extremo de la manguera al adaptador del orificio de entrada dedicado para la succión instalado en la línea dedicada de succión (Figura 17).



## Instalación opcional (Continuación)

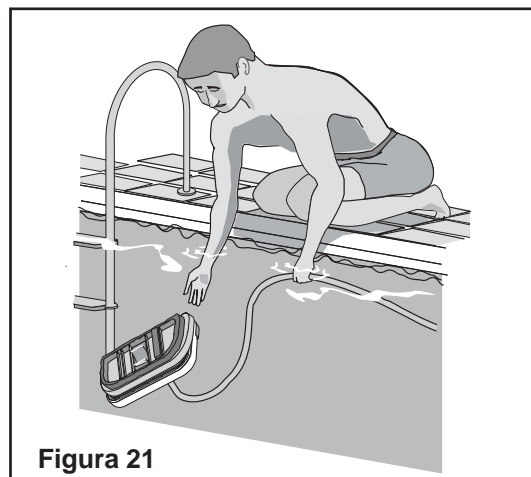
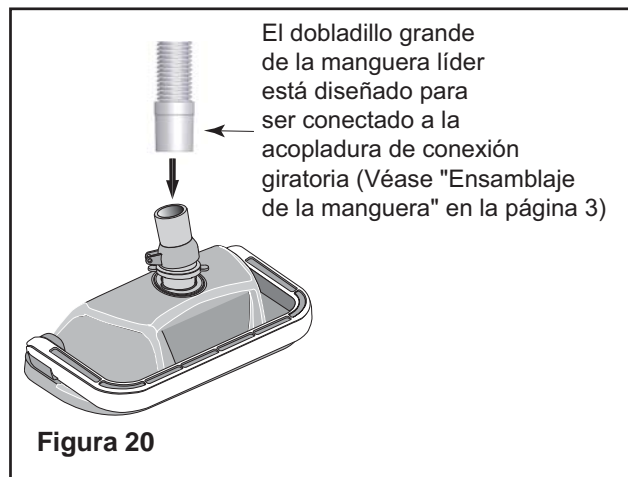
### 6. Verifique el flujo

Con el desagüe principal cerrado, y con uno de los extremos de la manguera conectado al adaptador del orificio de entrada dedicado para la succión instalada en la línea dedicada de succión, inserte el medidor de flujo dentro del otro extremo de la manguera. Mantenga la manguera y el medidor de flujo debajo del agua. Encienda la bomba. Con la bomba en marcha, ajuste el regulador de succión (en su espumadera) hasta que el indicador en el medidor de flujo se encuentre entre el mínimo y el máximo de flujo (Figura 19). Remueva el medidor de flujo y proceda al paso 7.



### 7. Conecte la manguera a la acopladura de conexión giratoria del limpiador

Conecte el dobladillo grande de la manguera (Figura 20) de la manguera líder a la acopladura de conexión giratoria en el cabezal del limpiador. Empuje el limpiador dentro de la piscina y deje que se hunda hasta que llegue al fondo (Figura 21).



### 8. Encienda la bomba de la piscina

Después de completar la instalación, encienda la bomba de la piscina y déjela encendida por un par de minutos para asegurarse que todos los ciclos de aire estén fuera del sistema.

## Sección 3

# Funcionamiento

Esta sección contiene información que describe el movimiento y el funcionamiento de su Limpiador Great White, así como consejos para la "calibración" de las válvulas y conexiones de su piscina para optimizar la capacidad de limpieza de Great White.

## Funcionamiento y movimiento del limpiador

### Sonido de chasquido

Este es el sonido del oscilador moviéndose hacia adelante y hacia atrás en la cámara del oscilador. La mejor velocidad es de aproximadamente 500 oscilaciones por minuto. La vibración creada por el oscilador mueve las cerdas y el limpiador. Si el oscilador se mueve demasiado rápido, el limpiador tendrá una tendencia a treparse por la pared de la piscina más allá de la línea de agua, o "salirse fuera de la piscina" y succionar aire. Reduzca la velocidad ajustando el regulador de succión en la espumadera.

### Movimiento alrededor de la piscina

**Movimiento aleatorio** – El limpiador visitará la mayoría de las áreas en la piscina en un período de seis (6) horas. El mismo no está específicamente programado y no puede ver la suciedad que usted está viendo. Es un patrón de movimiento aleatorio.

El limpiador fue diseñado para pasar la mayoría del tiempo en el extremo profundo, en donde se encuentra la mayoría del área de piso y de pared. Durante un período de seis (6) horas, el limpiador visitará el extremo menos profundo unas cuantas veces.

**Movimiento giratorio** – El limpiador se elevará por un lado y girará varias veces por minuto. Esto es normal y proporciona lo siguiente:

1. Permite que las hojas que están siendo empujadas o arrastradas sean succionadas dentro la cámara de succión.
2. Le permite al limpiador :
  - Cambiar de dirección
  - Salirse de las esquinas
  - Alejarse de las escaleras
  - Sumergirse por debajo del nivel del agua de la piscina
  - Salirse de las cúpulas de las cubiertas del desagüe principal

### Recogido de "cosas grandes"

El limpiador recogerá algunos desechos tan grandes que se podría atascar. Simplemente detenga la bomba y remueva los desechos del oscilador o de la acopladura de conexión giratoria.

## Calibración de válvulas y conexiones

**⚠ ¡ADVERTENCIA!** La succión de la bomba de la piscina es peligrosa y puede causar que una persona quede atrapada con graves lesiones personales o ahogarse. Utilice en todo momento el regulador de succión (vea las instrucciones que aparecen a continuación) en el sistema del limpiador de piscinas.

**AVISO:** El sistema hidráulico y las conexiones de succión de cada piscina son diferentes. Asegúrese que haya instalado el regulador de succión antes de "calibrar" el sistema. Esto no sólo regula la succión, sino que también sirve de dispositivo de seguridad.

**⚠ ¡ADVERTENCIA!** Peligro de quedar atrapado, lesionarse o ahogarse. Si su piscina tiene un orificio de entrada para succión dedicado ("vac port") para la aspiración o para un limpiador automático de piscinas, el mismo debe ser cubierto cuando no se esté utilizando. Una cubierta de seguridad a resorte (adaptador del orificio de entrada dedicado para la succión) está incluida con este limpiador de piscinas. Instálelo en la línea dedicada de succión para evitar quedar atrapado y sufrir lesiones. Para detalles, por favor haga referencia a la hoja de instrucción del adaptador del orificio de entrada dedicado para la succión incluida con su limpiador de piscinas.

Para los propietarios principiantes de piscinas para quienes la aspiración es una nueva experiencia, por favor lean cuidadosamente la guía de localización y solución de problemas, y todos los puntos que aparecen a continuación.

Por favor tenga en cuenta lo siguiente:

Por favor tenga en cuenta lo siguiente:

- Las palabras "aspiración" y "succión" significan lo mismo.
- "Línea dedicada de succión", "orificio de entrada dedicado para la succión", y adaptador de succión son diferentes términos para un orificio en la pared lateral de la piscina; este orificio está conectado a la succión de la bomba y de dedica a la aspiración.
- Algunas piscinas no tienen un orificio de entrada dedicado para la succión. Si su piscina no tiene uno, por favor lea la advertencia de "Peligro de quedar atrapado" que aparece anteriormente.

Para los propietarios de piscinas utilizadas por temporadas: La conexión del limpiador automático de piscinas y los ajustes de succión pueden ser similares a la utilización de su aspirador manual de piscinas. Por favor continúe leyendo.

### Ajustes de las válvulas (bomba, espumadera, y el desagüe principal) y de la succión

Es posible que le tome algún tiempo ajustar el espumadera y las válvulas del desagüe principal a fin de obtener la mejor configuración de aspiración para una buena operación de limpieza. Una vez que haya encontrado las configuraciones de las válvulas correctas para el mejor funcionamiento, le sugerimos que marque las válvulas para asegurar un éxito repetido.

Al principio, configure las válvulas para brindar una aspiración máxima a la espumadera o al adaptador de aspiración que usted ha escogido para usar.

## Calibración de válvulas y conexiones (continuación)

### ¿Demasiada succión?

Usted tiene demasiada succión si el limpiador se trepa por la pared de la piscina más allá de la línea de agua hasta el punto que el limpiador succiona aire y la bomba pierde cebadura. Una pérdida frecuente de cebadura dañará la bomba. Para corregir esto, ajuste el regulador girando la perilla de ajuste hacia la izquierda. Esto disminuirá la succión. Si el limpiador aún se trepa y succiona aire, abra ligeramente la válvula del desagüe principal.

### ¿No hay suficiente succión?

Usted no tiene suficiente succión si el limpiador se mueve lentamente o nada en absoluto. Asegúrese que el sistema del filtro esté limpio y que el regulador y todas las válvulas estén ajustados para brindarle máxima succión. Si el limpiador aún no se mueve, es posible que su bomba no sea lo suficientemente potente como para hacer funcionar el limpiador. Por favor consulte la "Guía de localización y solución de problemas" en la página 17.

### Envase integrado para recoger hojas

Si su piscina está expuesta a grandes cantidades de hojas, le sugerimos la compra y la instalación de un envase integrado para recoger hojas (núm. de parte R211084K). Un envase para recoger hojas le proporcionará más capacidad de carga de desechos y también le proporcionará una desviación del agua cuando el envase esté lleno. ¡Es muy importante que nunca le falte agua a la bomba!

### Conexión a la espumadera

Para las piscinas con gran cantidad de "cosas grandes" a ser recogidas, sugerimos la utilización de la conexión del fondo de la espumadera junto con un envase integrado para recoger hojas (núm. de parte R211084K). Un envase para recoger hojas le proporcionará más capacidad de carga de desechos y también le proporcionará una desviación del agua cuando el envase esté lleno. ¡Es muy importante que nunca le falte agua a la bomba!

### Planchas de succión de la espumadera

Algunos propietarios de piscinas conectan la manguera a la plancha de succión en la espumadera, lo cual permite que la cesta permanezca en la espumadera. Si utiliza este método, vacíe frecuentemente la cesta. También asegúrese que el regulador de succión provisto esté completamente sumergido para que no succione aire y dañe la bomba.

### Reguladores del control de la succión de las planchas de succión de la espumadera

Algunos propietarios de piscinas utilizan uno de los distintos tipos de planchas de succión de la espumadera del fabricante. Algunos tienen un regulador de control de succión y otros no. El regulador puede ser del tipo que se atornilla, a resorte, o de un diseño de botón de selección. Para aquellas planchas de succión con reguladores, es importante ajustarlas cuando se esté calibrando la succión para el limpiador.

Página en blanco



## Sección 4

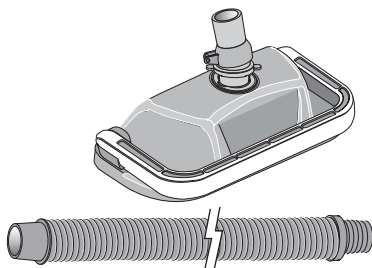
# Mantenimiento por parte del usuario

Esta sección describe el servicio y el mantenimiento del limpiador de piscinas Great White.

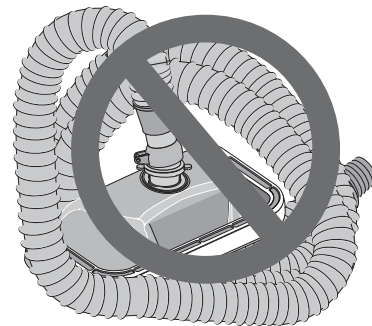
**⚠ ¡ADVERTENCIA! Succión peligrosa. Detenga la bomba antes de tratar de limpiar el limpiador de piscinas.**

- Mantenga limpias y sin escombros la canasta de la espumadera y la canasta del filtro.
- Si el limpiador se atasca con escombros de gran tamaño (hojas, ramas, etc.), trate primero de limpiar los escombros del fondo de la unidad. Si eso no lo despeja, remueva la acopladura de conexión giratoria superior (gire 1/4 de vuelta) y despeje los escombros de la parte superior.
- Remueva el limpiador de piscinas de la piscina antes de realizar una "super-cloración" (choque) o un equilibrio químico. Espere al menos cuatro horas después del procedimiento químico antes de volver a instalar el limpiador.
- Verifique que las cerdas del cepillo del limpiador no se deformen durante el almacenamiento. Guarde la unidad de manera que no se quede apoyada sobre las cerdas y que nada las comprima.
- No enrolle la manguera. Saque la manguera del limpiador cuando quite el limpiador de la piscina. Guarde la manguera de forma plana y recta.
- Periódicamente verifique que las cerdas y la cubierta de succión no estén gastadas o desfiguradas. De ser necesario, reemplácelas. Consulte "Reensamblaje", página 15.
- No guarde el limpiador con la manguera conectada al cuerpo del limpiador o con la manguera enrollada. El hacer eso puede provocar que la manguera se deforme o quede torcida durante un período de tiempo. Cuando vuelva a instalarla en la piscina, la manguera tenderá a permanecer enrollada y hará que el limpiador no funcione debidamente.
- Si la manguera se ha deformado, desenróllela lo más posible sin estropearla y colóquela al sol durante varias horas para que se enderece ella misma. Una vez que esté más flexible y se haya enderezado, guárdela en posición plana y recta (no enrollada).
- Asegúrese que el cepillo de levante esté retractado durante el almacenamiento. Si el cepillo de recogido está hacia abajo durante el almacenamiento y el limpiador está apoyado sobre el mismo, las cerdas del cepillo se desplomarán con el tiempo y el limpiador ya no girará durante la operación como debería hacerlo.

### Almacenamiento de la manguera



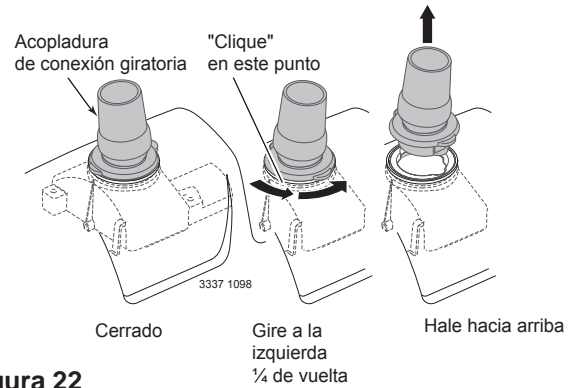
**Correcto:** Manguera almacenada correctamente - colocada en línea recta, sin estar conectada al limpiador.



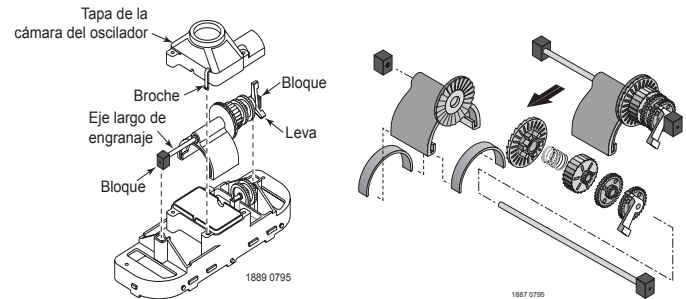
**Incorrecto:** Guardar el limpiador con la manguera conectada dañará la manguera y anulará la garantía de la manguera.

## Desmontaje

1. Remueva de la parte superior del limpiador la acopladura de conexión giratoria (Figura 22) haciéndola girar 1/4 de vuelta hacia la izquierda y jalándola hacia arriba.
2. Vire el limpiador al revés. Saque los 4 tornillos y quite la ensambladura de la parte baja del cuerpo de la cubierta.
3. Gire la ensambladura de la parte baja del cuerpo hacia arriba. Desabroche los dos broches localizados en la tapa de la cámara de oscilación (Figura 23a); levántela.
4. Hale el eje largo de engranaje hacia arriba (Figura 23a) por los bloques en los extremos del eje. Sujete los sellos en el oscilador y los bloques en el eje. La leva podría interferir con el trinquete de montaje del eje, de ser así gírela levemente en el eje hasta que esté fuera del trinquete. La ensambladura del eje puede ser ahora desmontada.
5. Deslice el eje largo de engranaje fuera del oscilador (con los piñones, completamente); asegúrese de no perder las juntas fuera del oscilador las cuales podrían desprenderse en este punto (Figura 23b).
- 5A. Las juntas del oscilador son reemplazables.
- 5B. El juego de los dientes de engranaje y el eje largo son reemplazables como una unidad.
6. Remueva el juego de tornillos, el eje de engranaje corto, y los piñones (Figura 24); asegúrese de mantener colocados los piñones.
7. Con un destornillador pequeño (tal como un destornillador de joyero), un lápiz, o un bolígrafo, presione y quite el muelle en espiral del poste de montaje del cepillo de recogido (Figura 25). De ser necesario reemplace el cepillo y el muelle.
8. La lengüeta de trinquete de metal se desliza hacia afuera de su ranura lateralmente; reemplácela removiendo los cepillos centrales y deslizando adentro una nueva lengüeta de trinquete hasta que esté alineada con el borde del sostenedor plástico (Figuras 26 y 27). Reemplace los cepillos centrales.
9. La anilla del cepillo se sale de sopetón del cuerpo del limpiador para su fácil reemplazo.
10. Si usted necesita reemplazar el amortiguador, gire la cubierta y la ensambladura del amortiguador hacia abajo y remueva los dos tornillos que sujetan el amortiguador a la cubierta.

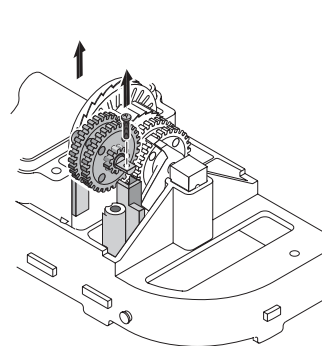


**Figura 22**

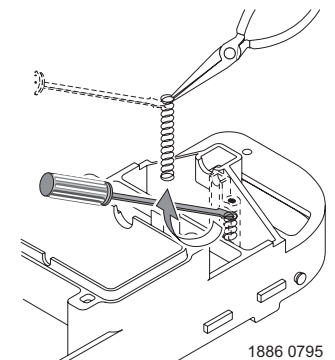


**Figura 23a**

**Figura 23b**



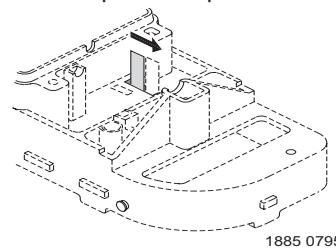
**Figura 24**



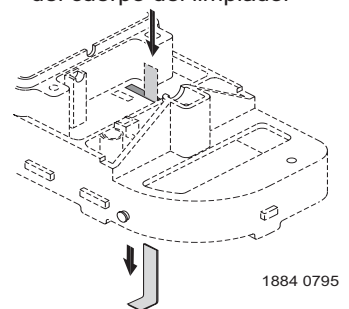
**Figura 25**

1. Deslice la lengüeta de trinquete de metal hacia el extremo del cuerpo del limpiador

2. Deslice la lengüeta de trinquete de metal hacia abajo a través del cuerpo del limpiador



**Figura 26**



**Figura 27**

## Reensamblaje

1. Coloque ambos sellos blancos en el oscilador; sujételos en su lugar.
2. Instale el oscilador en el eje largo de engranaje. Instale el engranaje de trinquete en el eje de modo tal que los dientes enganchen el trinquete en el oscilador. Instale el resorte, el tambor de trinquete, el piñón de engranaje (engranaje grande primero), y la leva (extremo del engranaje primero) en el eje (Consultar la Figura 28). Sostenga los engranajes en el eje mientras los instala, y comprima el resorte de embrague para permitir que la unidad se deslice en posición entre los postes (Consultar la Figura 28).
3. Instale el eje largo de engranaje y los bloques terminales en el cabezal de limpieza con el brazo grande de la leva hacia abajo (Consultar la Figura 29).
4. Vuelva a instalar el eje corto de engranaje, el tornillo empotrado y los dos engranajes (Consultar la Figura 30); los pequeños piñones de engranaje y el tornillo empotrado del eje van al costado hacia el extremo del limpiador - alejados de la caja del oscilador. Verifique que los piñones se engranen en los engranajes en el eje largo de engranaje.
5. Instale la tapa de la cámara del oscilador y abróchela en su lugar.
6. Instale la cubierta de caucho de aspiración en el limpiador mostrando la palabra "AFUERA" (OUTSIDE). Comience con el pasador grande en la parte posterior del cabezal del limpiador (Consultar la Figura 31) y continúe alrededor del limpiador. Verifique que la cubierta esté al ras contra las tiras de detenimiento localizadas en el cabezal del limpiador (Consultar la Figura 32).
7. Invierta el limpiador. Si usted quitó el amortiguador y la anilla del cepillo, vuelva a colocarlos ahora.
8. Instale la ensambladura de la parte baja del cuerpo en la cubierta. Sujete el cabezal de limpieza en posición con los 4 tornillos (2 largos, 2 cortos - Consultar la Figura 33).

NOTA: Asegúrese de no desplazar la cubierta de caucho de aspiración mientras esté introduciendo la ensambladura del cuerpo inferior más allá del aro del cepillo.

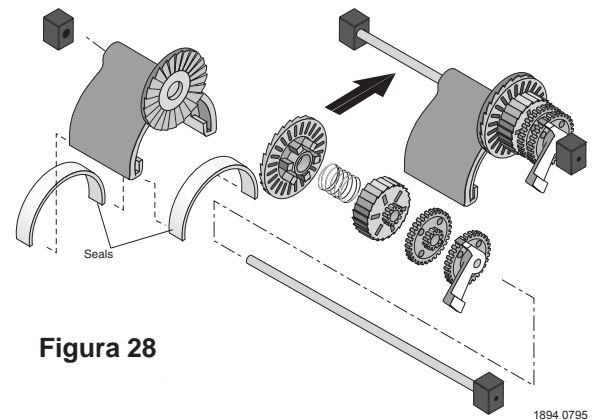


Figura 28

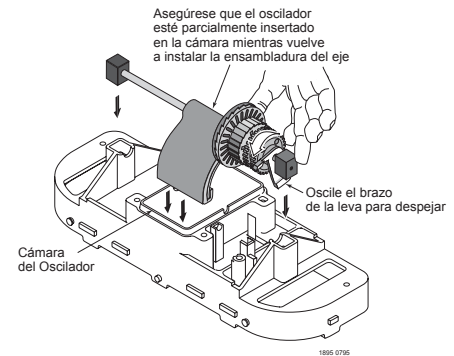


Figura 29

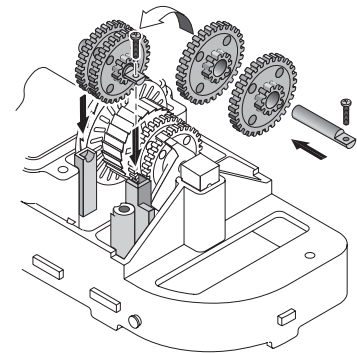


Figura 30

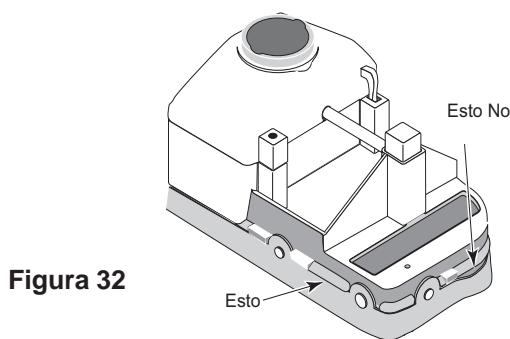


Figura 32

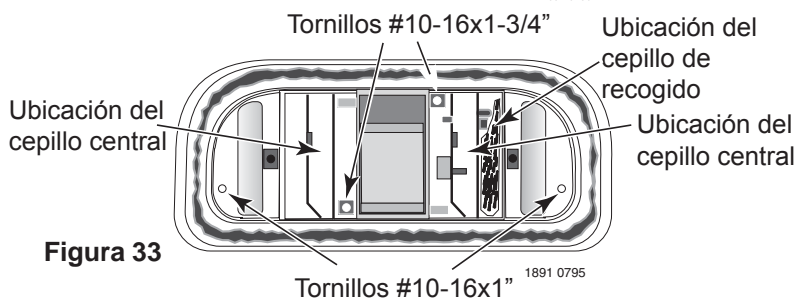


Figura 33

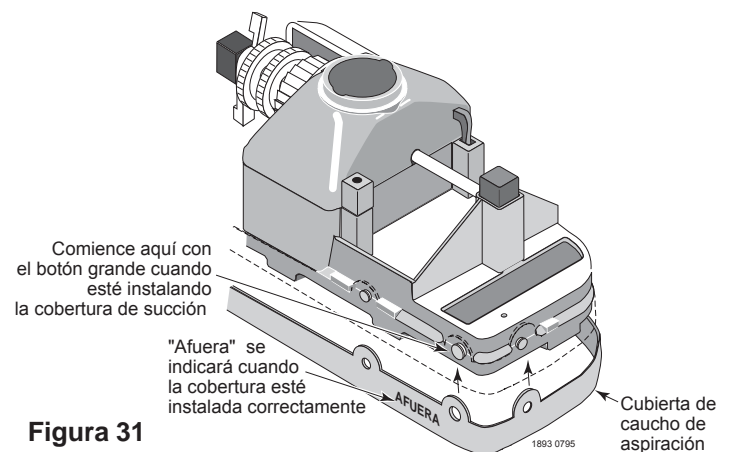
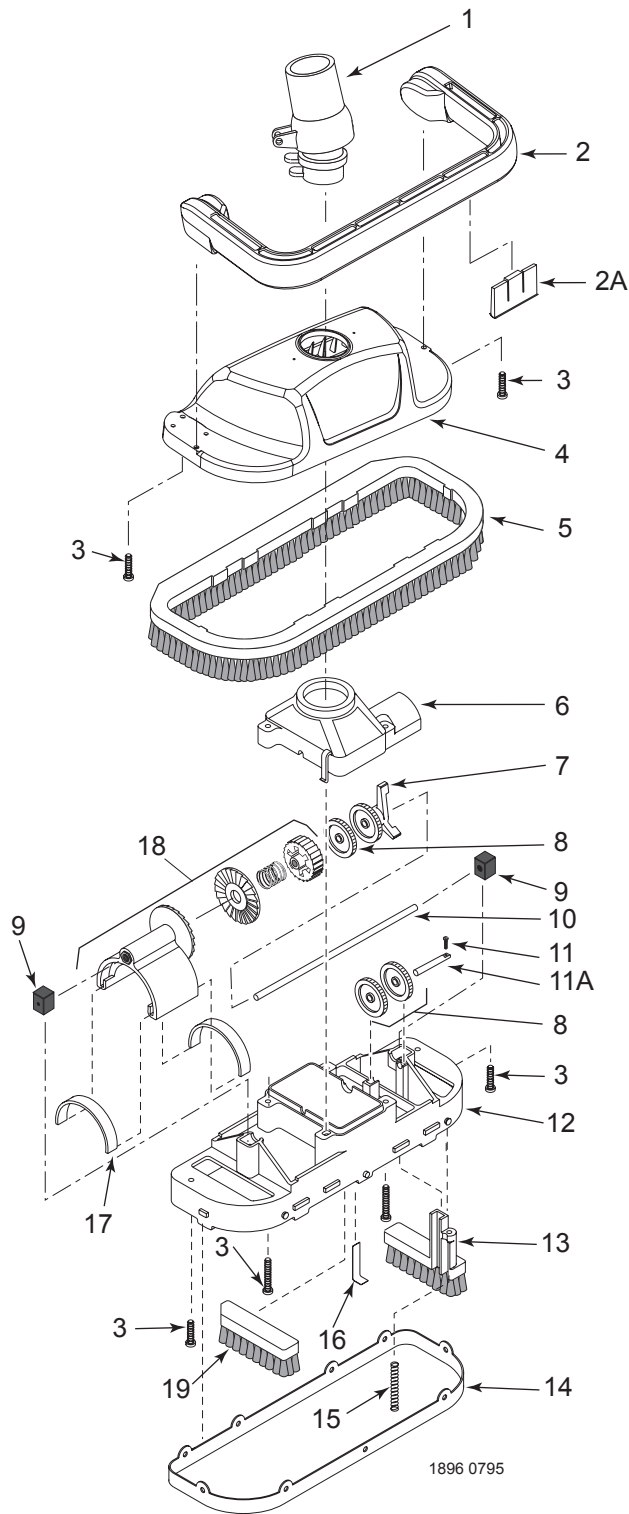


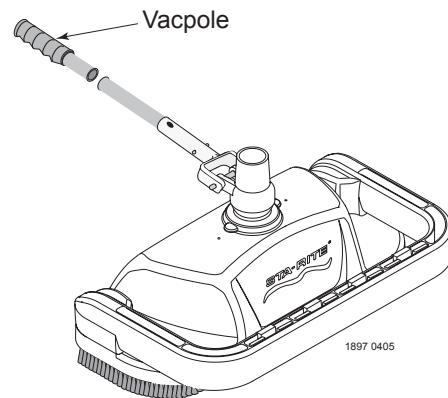
Figura 31

Visualización del fondo del limpiador

## Listado ilustrado de piezas de repuesto



### Accesorios opcionales



No. de la clave	Descripción	No. de la pieza
1	Acoplatura de conexión giratoria	GW9012
2	Amortiguador	GW9502
2A	Juego de insertos de amortiguación (Juego de 4)	GW9520
3	Juego de tornillos (4 cortos, 2 largos)	GW9504
4	Cubierta	GW9501
5	Aro del cepillo	GW9505
6	Tapa de la cámara del oscilador	GW9506
7	Juego de levas (levas de 2 y 3 patas)	GW9507
8	Juego de engranaje loco (Incluye 3 engranajes)	GW9509
9	Juego de bloques (Incluye 2 bloques)	GW9512
10	Eje largo de engranaje (acero inoxidable)	GW9513
11	Tornillo empotrado #4 autoroscante##	
11A	Juego del eje, acero inoxidable (incluye tornillo empotrado)	GW9536
12	Cuerpo inferior*	GW9535
13	Cepillo de recogido	GW9517
14	Cubierta de aspiración	GW9508
15	Resorte del cepillo de recogido	GW9522
16	Lengüeta de trinquete (acero inoxidable)	GW9523
17	Juego de juntas del oscilador (Incluye 2 juntas)	GW9004
18	Juego de la ensambladura del oscilador (Incluye clave #17) (La unidad de trinquete no se vende por separado)	GW9503
19	Juego de cepillos centrales (Juego de 2)	GW9013
	• Juego de mangueras, 12 secciones, cada una consta de 4' de longitud	41200-0131
	• Regulador de succión	41200-0200
	• Tapa del regulador de succión	41200-0211
	• Cono reductor	GW9015
	• Mango "unidapt"	GW9019
	• Adaptador del orificio de entrada para la succión	GW9530
	• Medidor de flujo	41200-0210

• No está ilustrado

\* Incluye los números de claves 6, 11A, 13, 15, 16, dos engranajes locos y una leva de 2 brazos

## No se encuentra disponible por separado



## Sección 5

## Localización y solución de problemas

Situación	Soluciones:
<b>El limpiador no se mueve</b> <b>El oscilador está muy lento</b>	<ol style="list-style-type: none"> <li>1. Realice un retrolavado y/o limpie el filtro Vacíe todas las cestas. Esto deberá ayudar a que su limpiador obtenga la velocidad de oscilación deseada de 400-600 veces por minuto.</li> <li>2. Limpie toda la suciedad de la cámara del oscilador, de la manguera, o del desvío de la plancha de succión (si tiene una).</li> <li>3. Repare todas las fuentes de fugas de succión (plancha de succión agrietada, plancha de succión o cono reductor no asentados debidamente, manguera agrietada, regulador de succión mal ajustado).</li> <li>4. Ajuste las válvulas para dar el máximo de succión al orificio de entrada dedicado para la succión o a la espumadera donde vaya a conectar la manguera del limpiador. Reduzca o cierre las otras espumaderas y el desagüe principal (en el piso). Nota: Cada sistema hidráulico de piscina es diferente. Puede ser necesario ajustar la espumadera y las válvulas principales antes de obtener la graduación de succión requerida para el mejor funcionamiento del limpiador. Una vez que la haya determinado, marque las válvulas en esa posición para garantizar un éxito repetido.</li> <li>5. El sistema de filtración (la bomba) no desarrolla suficiente succión. Consulte con su técnico profesional de piscinas.</li> <li>6. La manguera se puede torcer en agua caliente. Cuando la manguera es vieja, puede haber desarrollado fugas (rajaduras y orificios) o puede estar quebradiza. Compre una manguera nueva.</li> </ol> <p><b>NOTA:</b> Para lograr un buen funcionamiento debe ser una manguera Great White.</p>
<b>El limpiador se trepa más allá de la línea de agua de la piscina y hace que la bomba pierda cebadura (succiona aire)</b>	<ol style="list-style-type: none"> <li>1. El oscilador está funcionando demasiado rápido. Verifique que el regulador de succión esté instalado y ajustado</li> <li>2. Si el paso 1 no soluciona el problema, abra ligeramente la válvula del desagüe principal hasta que el limpiador deje de treparse fuera de la piscina.</li> </ol>
<b>La cobertura del limpiador no es la esperada</b>	<ol style="list-style-type: none"> <li>1. Un sistema de filtración limpio ayudará al limpiador a moverse mucho más rápido. También, asegúrese de limpiar todas las cestas.</li> <li>2. La limpieza de las piscinas con revestimiento vinílico y una tolva en el extremo profundo llevará entre 6 y 8 horas. Durante este período de tiempo, el limpiador deberá realizar al menos 4 viajes al extremo menos profundo. De lo contrario, llame a Servicio al cliente al 1-800-831-7133.</li> <li>3. Verifique el mecanismo del cepillo de recogido mientras el limpiador esté en funcionamiento. Para hacerlo, deberá invertir el limpiador mientras esté funcionando y sumergido. Si el cepillo de recogido no se mueve a la posición de hacia "abajo" dentro de 2 minutos, llame a Servicio al cliente al 1-800-831-7133.</li> <li>4. El limpiador no ha sido diseñado para trabajar bajo cubiertas solares. Si usted tiene una cubierta solar, tendrá solamente una cobertura mínima.</li> <li>5. Cualquier limpiador puede pasar por alto un punto. Su limpiador ha sido diseñado para poder conectarle una barra telescópica ("vac-pole") usando el mango en la bolsa de accesorios. Conecte la barra para limpiar puntos específicos, escalones y escaleras.</li> </ol>
<b>El limpiador está "atascado" en un lugar (por más de 15 minutos)</b>	<ol style="list-style-type: none"> <li>1. Verifique el mecanismo del cepillo de recogido mientras el limpiador esté en funcionamiento. Para hacerlo, deberá invertir el limpiador mientras esté funcionando y sumergido. Si el cepillo de recogido no se mueve a la posición de hacia "abajo" dentro de 2 minutos o menos, llame a Servicio al cliente al 1-800-831-7133.</li> </ol>
<b>Las escaleras y los escalones no están limpios</b>	<ol style="list-style-type: none"> <li>1. Este limpiador no fue diseñado para limpiar estas áreas. Use el accesorio telescópico, conecte la barra y limpie las áreas que se omitieron.</li> </ol>
<b>El limpiador se vuelca boca arriba cuando la bomba se detiene</b>	<ol style="list-style-type: none"> <li>1. Esto es normal en ciertos sistemas de filtración que desarrollan una subida de contrapresión cuando se apaga el sistema. El limpiador se corregirá a sí mismo cuando se vuelva a encender el sistema.</li> </ol>
<b>La manguera se afloja cuando la bomba se detiene</b>	<ol style="list-style-type: none"> <li>1. Utilice el cono reductor cuando lo conecte a la espumadera o al orificio de entrada dedicado para la succión.</li> </ol>
<b>El limpiador ronda en un área con la manguera totalmente extendida</b>	<ol style="list-style-type: none"> <li>1. La manguera puede ser muy corta. Su longitud máxima se puede medir desde el punto en que la manguera se conecta, al punto más alejado de la piscina, más un mínimo de 4 pies adicionales. Si es necesario, compre una manguera de extensión de su representante local. No corte la manguera de extensión - use toda su longitud aunque sea un poco larga.</li> </ol>
<b>La manguera continúa enrollándose</b>	<ol style="list-style-type: none"> <li>1. Para mejores resultados, cuando la manguera no se esté usando, guárdela desenrollada, plana y recta.</li> <li>2. Coloque la manguera plana y recta al sol durante unas horas antes de usarla.</li> </ol>
<b>El limpiador evade el extremo menos profundo de la piscina</b>	<ol style="list-style-type: none"> <li>1. Los insertos de amortiguación (vea la clave 2A, página 18) ayudan a que el limpiador sea más boyante y así permitir un mejor acceso al extremo menos profundo de la piscina. No instale los insertos de amortiguación desde la parte superior, éstos se atorarán y no trabajarán adecuadamente. Instale los insertos de amortiguación solamente en la parte inferior.</li> <li>2. Si el amortiguador en el limpiador aparenta estar levantando el limpiador hacia la superficie de la piscina, verifique si existe aire atrapado en el limpiador y en la manguera. Si no descubre aire, remueva un bloque de inserto de amortiguación y observe si el limpiador continúa sumergido y en el piso de la piscina mientras trabaja. De lo contrario, remueva bloques individuales de insertos de amortiguación hasta que el limpiador descansa sobre el piso de la piscina y funcione correctamente.</li> </ol>

## Notas

# Notas





## Free Manuals Download Website

<http://myh66.com>

<http://usermanuals.us>

<http://www.somanuals.com>

<http://www.4manuals.cc>

<http://www.manual-lib.com>

<http://www.404manual.com>

<http://www.luxmanual.com>

<http://aubethermostatmanual.com>

Golf course search by state

<http://golfingnear.com>

Email search by domain

<http://emailbydomain.com>

Auto manuals search

<http://auto.somanuals.com>

TV manuals search

<http://tv.somanuals.com>