

# LX-80 COMMERCIAL POOL & SPA CONTROL SYSTEM

## OPERATING INSTRUCTIONS

### POOL/SPA TIMER

- To Program:** Depress sections around perimeter of dial by pushing towards the center. Each section depressed equals 15 minutes operating time.  
**NOTE:** Daylight hours are indicated by white band.
- To Set Time:** Rotate dial clockwise to line-up with arrow at top center of dial.

### POOL/SPA FILTER

**NOTE:** Whenever filter pump is running, water will automatically heat-up to the preset temperature.

- TIMER:** Keep in this position for normal system operation.  
**OFF:** Turns filter pump off (for service purpose only).  
**ON:** Turns filter pump on (for service purpose only).
- Fireman Switch:** Whenever timer shuts off, filter pump will continue to run for an additional 10 minutes to cool down heater and protect equipment from overheating. To cancel this "delay" (for service purpose only), switch to **OFF** and then back to **TIMER** position.
- PUMP ON Light:** Indicates whenever filter pump is running.

### SPA JETS

- 40 MIN:** Remote Switch will activate jets for 40 minute cycle.  
**20 MIN:** Remote Switch will activate jets for 20 minute cycle.  
**TEST:** Remote Switch will activate jets for 5 seconds (for service purpose.)
- JETS 1 Light:** Indicates whenever Remote Switch is running.  
**JETS 2 Light:** Indicates whenever optional second Remote Switch is running.

### SPA PRIORITY

- TIMER:** Spa jets, filter pump, and heater will operate only when **SPA TIMER** is on. Whenever **SPA TIMER** is off, **Remote Switch** is disabled.
- REMOTES:** Spa jets, filter pump, and heater will operate whenever **Remote Switch** is activated, regardless of **SPA TIMER** position.

### POOL/SPA HEATING (Optional)

- SOLAR:** Allows heating with solar only.  
**SOL PREF:** Allows preferential heating with solar, but automatically switches to conventional heating when solar energy is unavailable.
- HEATER:** Allows heating with gas or electric heater only.  
**OFF:** Allows no heating.
- HEATER ON Light:** Indicates whenever heater is on.  
**SOLAR ON Light:** Indicates whenever solar is on.
- THERMOSTAT:** Set dial to desired water temperature.  
**NOTE:** Make sure that separate thermostat on heater is turned all the way up.

If optional Temperature Control Module is not used, use separate thermostat on heater to set desired water temperature.

### REMOTE SWITCH

- To Operate Spa:** Push **SPA JETS** button once to activate spa.  
**To Turn Spa Off:** Spa will automatically switch off at the end of its cycle. To turn spa off during its cycle, push **SPA JETS** button a second time.

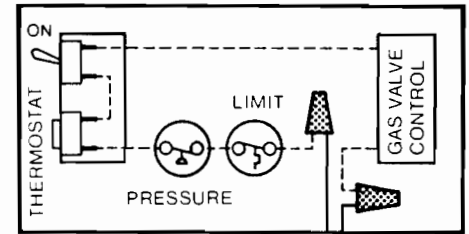
A second Remote Switch may be used to control additional jets. This optional SPA JETS button will not activate the filter pump or heater.

### EMERGENCY SHUT-OFF SWITCH

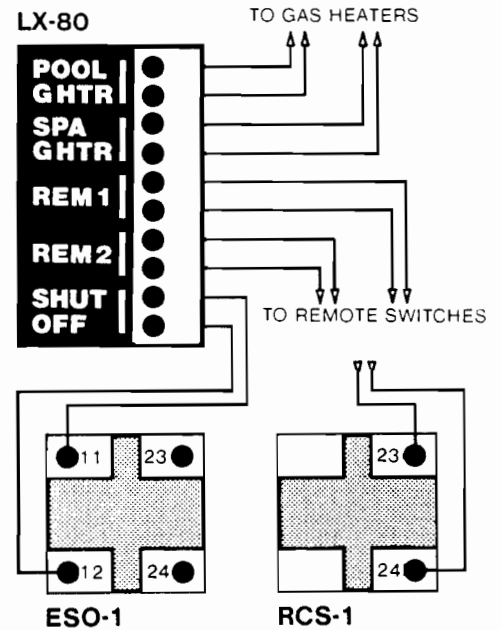
- In Emergency:** Push **Red** button to automatically shut-off all spa equipment.
- To Reset:** Pull-out **Red** button to reset spa equipment.

## LOW VOLTAGE WIRING

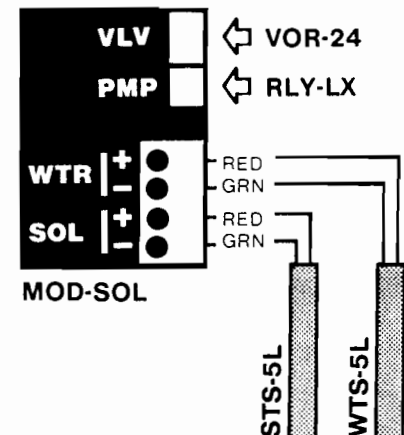
### GAS HEATER (TYPICAL)



### LX-80



## TEMPERATURE CONTROL (Optional)



HIGH VOLTAGE RELAYS	
R1	POOL FILTER PUMP
R2	SPA FILTER PUMP
R3	JET PUMP 1
R4	
R5	
R6	
R7	

**COMPOOL**  
Computerized Pool Systems

MEMBER  
  
 NATIONAL SPA & POOL INSTITUTE  
 599 Fairchild Drive  
 Mountain View  
 California 94043-2217  
 (415) 964-2201

## Free Manuals Download Website

<http://myh66.com>

<http://usermanuals.us>

<http://www.somanuals.com>

<http://www.4manuals.cc>

<http://www.manual-lib.com>

<http://www.404manual.com>

<http://www.luxmanual.com>

<http://aubethermostatmanual.com>

Golf course search by state

<http://golfingnear.com>

Email search by domain

<http://emailbydomain.com>

Auto manuals search

<http://auto.somanuals.com>

TV manuals search

<http://tv.somanuals.com>