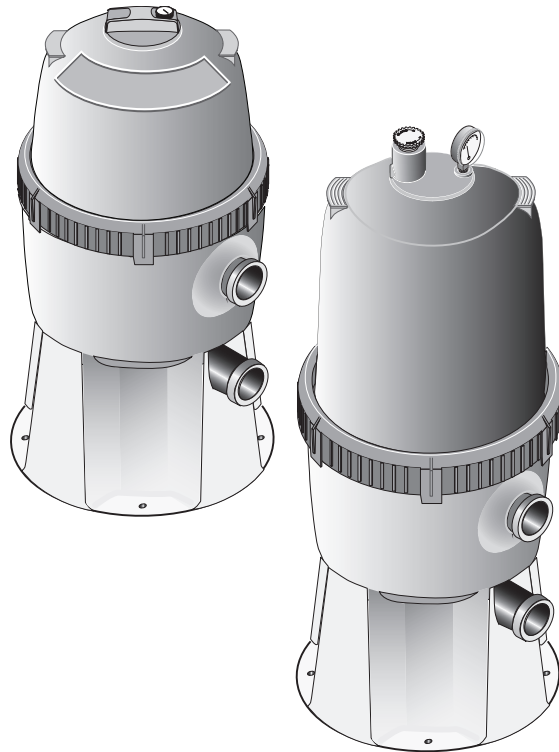


STA-RITE®

System 2™ Modular DE Filter

O W N E R ' S M A N U A L



INSTALLATION, OPERATION & PARTS

MODELS

PLDE36

PLDE48



This manual should be furnished to the end user of this filter; its use will reduce service calls and chance of injury and will lengthen filter life.

Sta-Rite Pool/Spa Group

293 Wright Street, Delavan, WI 53115

International: 262-728-5551, FAX: 262-728-7550

www.starite.com

Union City, TN • Delavan, WI • Mississauga, Ont. • Murrieta, CA

© 2005, Sta-Rite Industries

S749 (Rev. 6/24/05)

Table of Contents

Safety Instructions	2
General Information.....	3
Specifications	4
Installation.....	5
Initial Startup	5-6
Filter Disassembly / Assembly	6-7
Module Cleaning Procedure.....	8
Special Cleaning Instructions	8
System Inspection/Winterizing	9
Repair Parts List	10
Troubleshooting Guide	11
Warranty	12

 WARNING	<p>Hazardous Pressure!</p> <p>Can cause tank explosion.</p> <p>Do not connect filter to compressed air under any circumstances.</p>
	

READ AND FOLLOW SAFETY INSTRUCTIONS!

⚠ This is the safety alert symbol. When you see this symbol on your filter or in this manual, look for one of the following signal words and be alert to the potential for personal injury.

⚠ DANGER warns about hazards that **will** cause death, serious personal injury, or major property damage if ignored.

⚠ WARNING warns about hazards that **can** cause death, serious personal injury, or major property damage if ignored.

⚠ CAUTION warns about hazards that **will** or **can** cause minor personal injury or property damage if ignored.

NOTICE indicates special instructions not related to hazards.

Carefully read and follow all safety instructions in this manual and on equipment. Keep safety labels in good condition; replace if missing or damaged.

⚠ WARNING **Hazardous pressure** **Incorrectly installed or tested equipment may fail, causing severe injury or property damage.** Read and follow instructions in owner's manual when installing and operating equipment. Have a trained pool professional perform all pressure tests.

1. Do not connect system to a city water system or other external source of pressurized water.
2. Use equipment only in a pool or spa installation.
3. Trapped air in system can cause explosion. **BE SURE** all air is out of system before operating or testing equipment.

Before pressure testing, make the following safety checks:

- Check all clamps, bolts, lids, lock rings and system accessories before testing.
- Release all air in system before testing.
- Tighten Sta-Rite pump trap lids to 30 ft. lbs. (4.1 kg-cm) torque for testing.
- Water pressure for test must be less than 25 PSI (172 kPa).
- Water Temperature for test must be less than 100° F. (38° C).
- Limit test to 24 hours. After test, visually check system to be sure it is ready for operation. Remove pump trap lid and retighten hand tight only.

NOTICE: These parameters apply to Sta-Rite equipment only. For non-Sta-Rite equipment, consult equipment manufacturer.

GENERAL INFORMATION

- Clean a new pool as well as possible before filling pool and operating filter. Excess dirt and large particles of foreign matter in the system can cause serious damage to the filter and pump.
- With a modular Diatomaceous Earth (DE) filter in place and operating correctly, clean water is returned to the pool faster than pool water is being contaminated. A typical pool installation will require approximately one week to obtain and maintain the sparkle that your filter is capable of giving you.
- Do not use more than the recommended amount of DE in your filter. Excess DE can cause a buildup of DE and "bridging" between the pleats which will plug the filter.
- Maximum pressure is 50 PSI (345 kPa). DO NOT connect the filter to a city water system or to an individual water well system.

▲ WARNING Hazardous pressure. Open air release valve to vent all air from system before operating system. NEVER operate filter with air trapped inside.

- The Sta-Rite modular DE filter is designed to filter water for swimming pools and spas. On a new pool installation, we recommend:
 1. Disassemble the filter after the initial cleanup.

▲ WARNING Hazardous pressure. To prevent severe injury or major property damage, exactly follow "Filter Disassembly/Assembly Procedure" on Pages 6 and 7.
 2. Remove and hose down the element assembly to remove spent DE and contaminants.
- Maintain pool water pH between 7.2 and 7.6.
- Make sure that internal air bleed tube and filter are clean and installed properly at top of module before operating filter.

- Make sure that Posi-Lok™ Ring is securely locked in place before operating filter.
- Maintain pressure gauge in good working order. Replace a damaged gauge immediately.
- Cleaning interval is based on pressure rise, not on length of time filter is operated. Different water conditions will have different normal cleaning intervals.

When to Clean the Filter

The filter module should normally be cleaned when the pressure gauge reading increases 10 PSI over the start-up pressure (record the start-up pressure under "Owner's Information", below, right).

In some pools, accessories such as fountains or pool cleaners may be noticeably affected by the normal decrease in flow as the filter becomes dirty. If so, clean the filter more frequently (that is, at a pressure increase of less than 10 PSI) in order to maintain the required flow.

- Check local codes for restrictions on waste water and DE disposal requirements.

NOTICE: Some pool disinfectants may clog filter module. To maximize module life and filter cycle time, closely follow disinfectant manufacturer's instructions when cleaning pool or filter (see Page 7).

Owner's Information

Serial Number _____
Dealer _____
Dealer's Telephone # _____
Purchase Date _____
Installation Date _____
Pressure Gauge Reading at Startup _____

SPECIFICATIONS

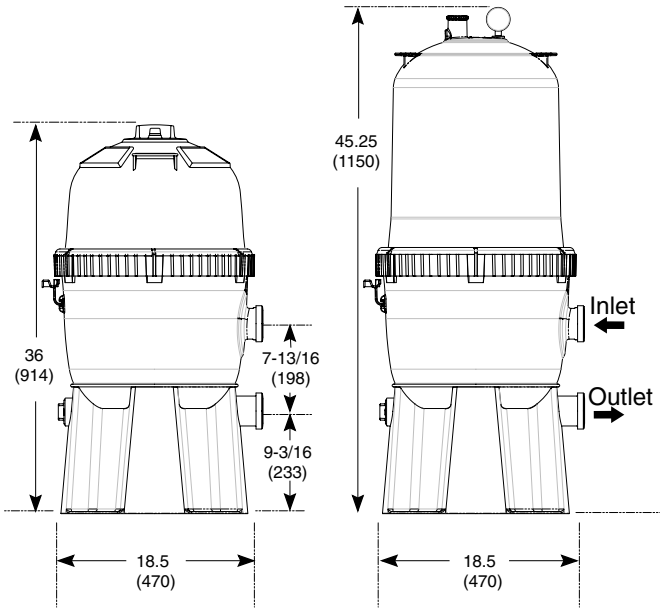


FIGURE 1A – Dimensions in inches (mm)

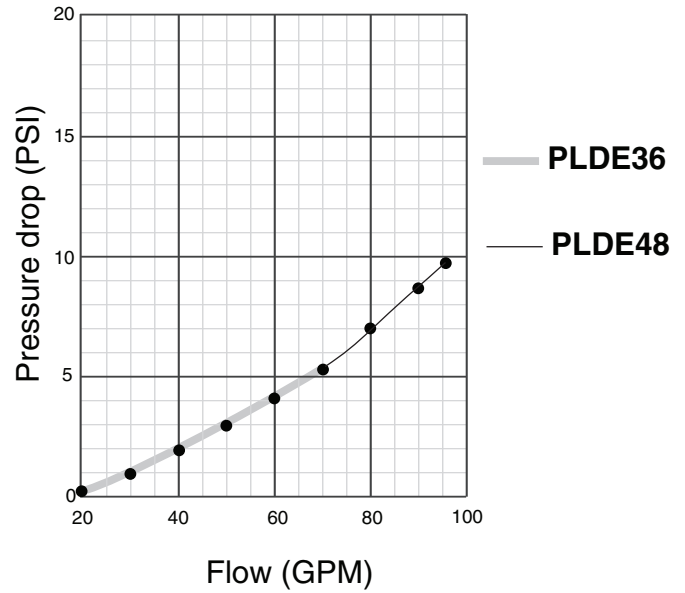


FIGURE 2 – Pressure Drop Curve

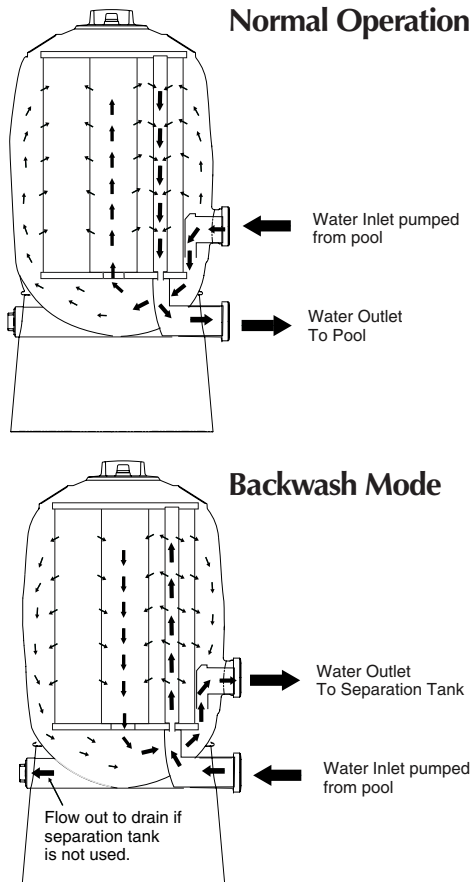


FIGURE 1B – Piping Connections

Table 1 - Recommended DE Manufacturers

Johns Manville	Celite 545™
GREFCO, Inc.	Decalite 4200™
Eagle-Picher Minerals, Inc.	Celatom™

Table 2 - Filter Specifications

	PLDE36
Filter Area sq. ft. (m ²)	36 (3.3)
Lbs. (kg) of DE Used	5.4 lbs. (2.4 kg.)
Maximum Flow Rate gpm (L/m)	72 (273)
Max. Operating Pressure psi (kPa)	50 (345)
Max. Continuous Water Temperature F(C)	104° (40°)

	PLDE48
Filter Area sq. ft. (m ²)	48 (4.5)
Lbs. (kg) of DE Used	7.2 lbs. (3.3 kg.)
Maximum Flow Rate gpm (L/m)	96 (363)
Max. Operating Pressure psi (kPa)	50 (345)
Max. Continuous Water Temperature F(C)	104° (40°)

One half pound of DE will fill a one pound coffee can.

INSTALLATION

Installation of filter should only be done by qualified, licensed personnel.

Filter Assembly

Filter mount must:

- Be solid, level, rigid, vibration free, and provide for adequate drainage.
- Be as close to pool as possible to reduce pressure loss from pipe friction.
- Provide weather and freezing protection.
- Provide adequate ventilation to prevent motor from overheating.
- Provide space and lighting for easy access for servicing pump and piping (See Figure 1, Page 4, for space requirements).

Piping (See Figure 1B for correct connections):

NOTICE: Make sure that the filter and all piping can be drained for winterizing. See "Winterizing", Page 9.

- Piping must conform to local/state plumbing and sanitary codes.
- Use teflon tape, Plasto-Joint Stik^{®1}, or Silastic RTV #732[®] on all male connections of plastic pipe and fittings. **DO NOT use pipe compounds on plastic pipe; it will cause the pipe to crack. Do not use sealant on unions – assemble them dry and hand tight.**
- Support pipe independently to prevent strains on filter.
- Fittings restrict flow; for best efficiency use fewest possible fittings.
- For ease of maintenance, Sta-Rite union couplings are provided to connect the piping to the filter inlet and outlet ports.
- Keep piping tight and free of leaks: pump suction line leaks may cause trapped air in filter tank or loss of prime at pump; pump discharge line leaks may show up as dampness or jets of water.
- **NOTICE:** Overtightening can crack filter ports.

Valves:

- A check valve installed ahead of filter inlet will prevent contaminants from draining back into pool.
- A check valve installed between filter and heater will prevent hot water from backing up into filter and deforming internal components.
- For installation allowing backwashing, install Sta-Rite Two Position Slide Valve or Multiport Selector Valve with filter. See Table 3. If you intend to clean your filter according to "Module Cleaning Procedure", Page 7, no slide or multi-port valve is required. See Figure 1B, Page 4, for correct water flow when connecting pipe.
- Filter ports and valve ports are furnished with union connections. **DO NOT use pipe sealants on union collar (nut).**

¹ Lake Chemical Co., Chicago, IL

- Use care before assembly not to damage union sealing surfaces or O-Ring.
- To allow recirculation during precoat (if precoat pot is used), install a recirculation line with shut-off between pad return line and pump suction.

Electrical:

- **BE SURE** filter grounding and bonding meets local and National Electrical Code standards. All wiring, grounding and bonding of associated equipment must meet local and National Electrical Code Standards.

TABLE 3 - Sta-Rite valves for use with Model PLDE36 and PLDE48 filters

Port Size	Multi-port Valve Part Number	Plastic Slide Valve Part Number
2"	18201-0300	14935-0300

NOTICE: Use of valves other than those listed above could cause reversed water flow through filters and damage to internal filter components.

INITIAL START-UP

⚠ Be sure pump is OFF before starting procedure.

⚠ Do not operate these filters at more than 50 PSI (345 kPa) under any circumstances!

⚠ CAUTION To prevent serious damage to the element fabric, NEVER run your DE filter without a diatomaceous earth precoat!

1. Securely lock Posi-Lok[™] ring in place by rotating ring **CLOCKWISE** until it "clicks" past the safety latch (see Figure 3). Stop turning as soon as the ring clicks past the latch. The ring may feel slightly loose, but it will tighten up when pump is on and filter is under pressure.
2. Fill trap on pump with water.

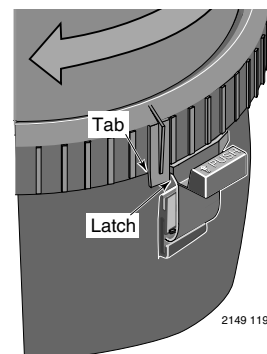


Figure 3 – Rotate Posi-Lok[™] Ring until tab locks behind the safety latch.

3. Open air release valve on top of filter.
4. Open isolation valves.
5. Start pump to purge air from system.
6. When steady stream of water comes from air release

valve, close the valve.

NOTICE: Leaking around the Posi-Lok™ ring may indicate that the ring is not fully locked. In this case, proceed as follows:

- a. Stop the pump, close the isolation valves, and open the air release valve to release any pressure within the filter.
- b. Remove the drain plug and drain all water from the filter.
- c. Push down on the top of the filter to fully seat the upper tank shell.
- d. Rotate the Posi-Lok™ clockwise until it locks behind the safety latch (see Figure 3).
- e. If the ring was already locked, remove it and the upper tank shell. Inspect and clean the O-ring and all sealing surfaces. Relubricate the O-ring.

NOTICE: Lubricate O-ring only with the silicone grease provided or equivalent, as other lubricants may cause the ring to swell. DO NOT lubricate Posi-Lok™ ring or threads on lower tank shell as this may collect grit and make removal difficult.

7. To prepare precoat slurry, mix diatomaceous earth (DE) and water. DO NOT use more DE than recommended.

NOTICE: Using more than the recommended amount of DE will clog the filter. Using less than the recommended amount will give an uneven precoat and shorten the life of the element.

8. Empty slurry slowly into skimmer to precoat filter element with an even filtering precoat.

After filter is operating, record filter pressure gauge reading in owner's manual for future use.

NOTICE: When installed on a new pool, after approximately 48 hours of operation disassemble filter and clean out plaster dust, construction debris, etc. (see "Module Cleaning Procedure", Page 8).

CLEANING THE FILTER

 WARNING	<p>Hazardous pressure. Can cause severe injury or major property damage from tank blow up.</p> <p>Release all pressure and read instructions before working on filter.</p>
	

When to Clean:

NOTICE: If installation does not allow backwashing, use module cleaning procedure regularly (see Page 8).

1. With a new filter:
 - a. Record filter operating pressure at startup. When pressure reaches 10 PSI (69kPa) above startup operation pressure, stop pump for 30-60 seconds to allow filtering cake to release.

- b. Restart pump to form new cake. Pressure should now be less than 10 PSI (69kPa) above startup operating pressure.
 - c. If pressure is still more than 10 PSI (69kPa) above startup operating pressure, backwash filter (see below).
2. Thoroughly clean air bleed assembly on top of filter module EVERY time filter is opened. Be sure to remove all debris from screen. Replace screen if damaged.
3. At least twice a year, manually clean filter module according to instructions, Page 8. At least once a year, follow instructions under "Special Cleaning Instructions", Page 8, as well.

Filter Backwash Procedure:

CAUTION To prevent equipment damage and possible injury turn pump OFF before changing valve position.

NOTICE: Before backwashing with a separation tank, review separation tank owner's manual for instructions.

1. Stop pump.
 2. Change valve position.
 - a. If using Multi-port Valve, set it to backwash position.
 - b. If backwashing with a Two Position Slide Valve, push handle to full down position.
 3. Start pump and run it for 3 minutes.
 4. Stop pump and open tank bottom side drain.

NOTICE: A 1-1/2" drain valve is recommended.
 5. Start pump and run 1 minute, backwashing through filter valve and tank drain.
 6. STOP PUMP, return filter valve to filter position and close tank drain.
- NOTICE:** Do not vacuum pool while backwashing filter.
7. Compare pressure reading on gauge with reading recorded after initial startup. The two readings should be very close; if not, do "Module Cleaning Procedure", Page 8.

FILTER DISASSEMBLY/ ASSEMBLY PROCEDURE

WARNING Hazardous pressure. Before disassembling filter:

1. STOP PUMP.
2. CLOSE isolation valves.
3. OPEN air release valve and drain fitting.
4. WAIT until all pressure is released and water drained from filter tank and system before loosening Posi-Lok™ Ring.

Disassembly:

1. Stop the pump.
2. Close isolation valves to prevent flooding.
3. Open air release valve on top of filter tank to release all pressure from inside of tank.

NOTICE: Make sure that waste water disposal complies with local codes and ordinances.
4. Remove drain plug and drain all water from tank.

5. Remove Posi-Lok™ ring as follows:
 - a. Press safety latch (below the ring) toward the tank to release it (see Figure 4).

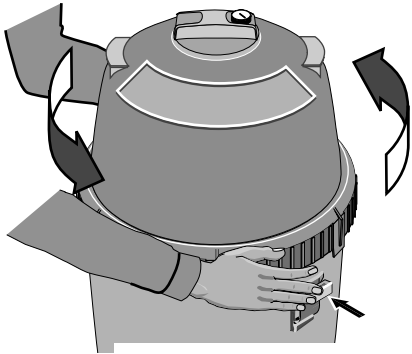


Figure 4 – Depress safety latch to unscrew Posi-Lok™ Ring.

- b. Hold latch in the release position and rotate ring COUNTERCLOCKWISE to remove. If ring is difficult to turn, tap gently with a rubber mallet to overcome initial resistance.

NOTICE: DO NOT use screwdriver or bladed instrument that may damage shell surfaces to pry tank shells apart.

6. Separate upper and lower tank shell halves using tabs on bottom of Posi-Lok™ ring. Insert tab into slot located at tank joint and twist ring to pry shell halves apart. See Figures 5 and 6.

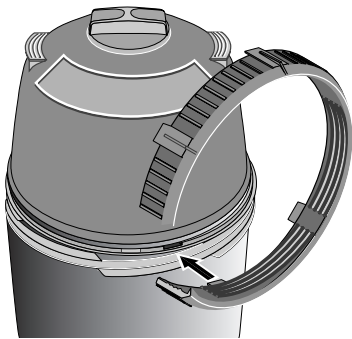


Figure 5 – Insert ring tab in slot in filter body.

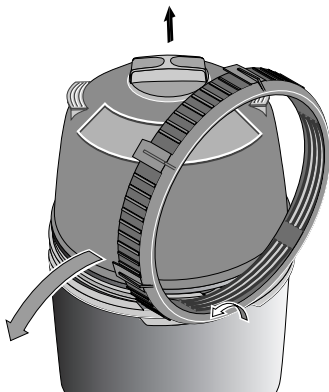


Figure 6 – Roll ring to one side to loosen upper tank half.

7. Remove O-ring from upper tank shell. Inspect for cuts, cracking, deformation or signs of wear; replace if necessary.

NOTICE: To avoid strain or damage, allow filter module to drain before lifting it out of the tank.

SAFETY LATCH (See Figure 7)

The purpose of the safety latch is to hold the Posi-Lok™ ring in the locked position. If the latch is damaged, replace it as follows:

1. Press down on the small catch behind the safety latch and press or tap the latch out of the “Tee” slot in the tank (see Figure 7).

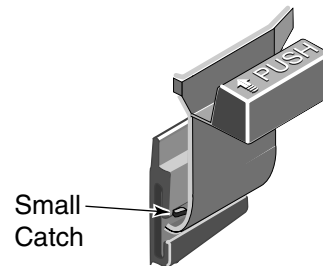


Figure 7 – Safety Latch

2. Snap the new latch into position.

NOTICE: DO NOT operate the filter if the safety latch is damaged or will not hold the Posi-Lok™ ring in the locked position.

Assembly:

1. Inspect and clean the tank, ring threads and O-ring groove. Replace damaged parts as necessary.
2. Install the filter by placing the port in the bottom of the filter cartridge over the tank outlet port. Push down firmly to seal.
3. Ensure that the air bleed assembly on top of the module is clean and properly mounted.

NOTICE: Lubricate O-ring only with the silicone grease provided or equivalent, as other lubricants may cause the ring to swell. DO NOT lubricate Posi-Lok™ ring or threads on lower tank shell as this may collect grit and make removal difficult.

4. Install the O-ring in the upper tank shell O-ring groove. Be sure that the O-ring is clean and not twisted.
5. Push the upper tank shell into the lower tank shell to compress the O-ring.
6. Place the Posi-Lok™ ring squarely over the tank shell threads and rotate COUNTERCLOCKWISE until the ring falls into the slots; then rotate CLOCKWISE until securely latched.
7. Follow instructions in the “Initial Startup” section of this manual.

MODULE CLEANING PROCEDURE

▲WARNING Risk of chemical burns. Do not attempt to acid clean the filter or module. If the filter requires acid cleaning, have a trained pool professional do the job.

Follow all steps in the “Disassembly” section of this manual. The filter module should be removed and cleaned when pressure rises more than 10 psi (69 kPa) above startup

When to Clean the Filter

The filter module should normally be cleaned when the pressure gauge reading increases 10 PSI over the start-up pressure (record the start-up pressure under “Owner’s Information”, Page 3).

In some pools, accessories such as fountains or pool cleaners may be noticeably affected by the normal decrease in flow as the filter becomes dirty. If so, clean the filter more frequently (that is, at a pressure increase of less than 10 PSI) in order to maintain the required flow.

pressure. See also “When to Clean the Filter,” below.

NOTICE: Do not expose the filter module to sunlight for any extended period of time.

NOTICE: When sanitizing your pool using PHMB (poly-hexamethylene biquanide based) cleaners, use *only* PHMB cleaners to clean the module. When using PHMB sanitizers, the filter module **MUST** be cleaned more thoroughly and frequently than for a pool using chlorine. Follow manufacturer’s instructions carefully. Use of any other type of cleansers with PHMB pool sanitizers will void the filter’s warranty.

NOTICE: Avoid washing filter debris into the outlet port. Remove drain plug and flush foreign material from inside of tank before removing filter module.

1. With a hose equipped with a soft flow nozzle, wash as much dirt as possible off of the filter module while it is still inside the tank. Allow tank to drain completely.
2. Make sure that the inside of the tank is clean. Lift out the module and hose it down thoroughly. Spray the entire module surface. Allow module to drain.
3. Inspect the module. If necessary, repeat the washing operation. If the module is damaged, replace it.

NOTICE: If this cleaning method does not remove all deposits, see “Special Cleaning Instructions” section in this manual.

4. Inspect and clean air bleed filter at top of module.
5. Follow all steps in the “Assembly” and “Initial Startup” sections of this manual.

Special Cleaning Instructions:

Use this procedure to clean scale or oils which are not removed by hosing down module. Be sure to dispose of spent chemicals according to all applicable codes and waste disposal ordinances. Use a soft stream nozzle to minimize flying water and spray.

▲DANGER Risk of fire or explosion. Isolate filter from system before chemical cleaning; rinse filter and elements completely before returning to service. If filter cannot be isolated, remove media and clean at another location. Follow chemical manufacturer’s instructions for use. Do not mix chemicals except as directed by manufacturer. Do not allow cleaning chemicals to mix with or to come in contact with chlorine, bromines, other chemicals, or chemical feed devices.

1. Sponge or spray the module according to chemical manufacturer’s directions.
2. If soaking is required, remove the module from the filter tank and submerge it in a separate tank. Follow cleaner manufacturer’s instructions carefully.
3. After completing chemical manufacturer’s instructions, drain and rinse the module completely. Dispose of cleaners in accordance with local codes and disposal ordinances.
4. Rinse the inside of the filter tank. Drain it completely.
5. Follow instructions in the “Assembly” and “Initial Startup” sections of this manual.

Recommended Specialty Filter Cleaners

Filter Cleanse™, Great Lakes Biochemical

BIOGUARD Strip Kwik™, BIOGUARD Kleent™, Softswim® Filter Cleaner,** BIOLABS, Inc. Filter Kleen™, Haviland Products Co.

BAQUA CLEAN™, ** Zeneca, Inc.

** MUST be used when using any PHMB based sanitizer.

SYSTEM INSPECTION

General:

Wash the outside of the filter with a mild detergent and water. Rinse off with a hose.

NOTICE: DO NOT use solvents to clean the filter; solvents may damage plastic components in the system.

NOTICE: Open the air bleed valve and bleed all air from the filter each time the pump is stopped and restarted.

Weekly Inspection:

1. Remove debris from the pool skimmer basket.
2. Stop the pump; open the air release valve to release all pressure.
3. Remove the trap cover and basket; remove debris.
4. Check the pump for leaks. If found, see the pump owner's manual.
5. Replace the trap basket and the cover. Tighten the cover securely hand tight. DO NOT use a lid wrench to tighten it.
6. Start the pump. When the filter air release valve runs a solid stream of water, close the valve.
7. When the system has returned to normal operation, check the filter pressure. If the filter pressure is 10 PSI (69kPa) or more higher than the initial startup pressure, the filter needs cleaning. See "Module Cleaning Procedure", Page 8.

WINTERIZING

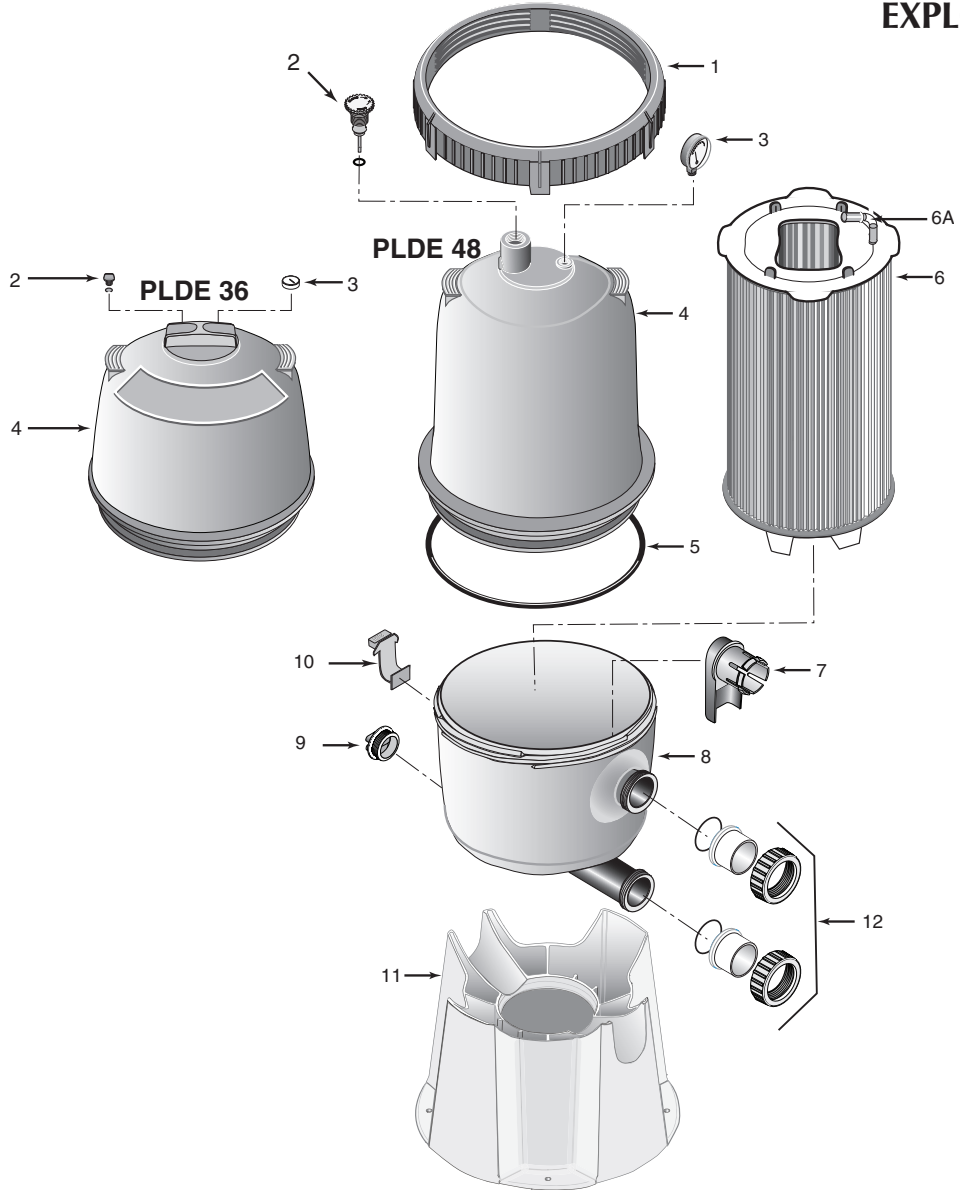
▲ WARNING Explosion hazard. Purging the system with compressed air can cause components to explode, with risk of severe injury or death to anyone nearby. Use only a low pressure (below 5 PSI), high volume blower when air purging the pump, filter, or piping.

NOTICE: The filter outlet piping will not empty through the filter drain. Make sure that the outlet piping has a separate drain for winterizing.

NOTICE: Protect the filter from freezing. Allowing the filter to freeze will damage it and will void the warranty.

1. Clean the filter according to instructions (Page 8) before winterizing.
2. Stop the pump.
3. Open the air release valve; open all the system valves.
4. Remove the drain plugs from the trap, pump, and filter.
5. Drain the system piping.
 - a. Gravity drain system as far as possible.
 - b. Protect areas which retain water with non-toxic propylene glycol antifreeze ("RV antifreeze").
6. Loosen the union nuts (if used) to drain all water from the filter interior. Leave these nuts loose until the system is restarted.
7. Disassemble the filter (follow instructions under "Filter Disassembly", Pages 6 and 7). Remove the filter module and store it in a warm, dry area.

EXPLODED VIEW



REPAIR PARTS LIST

Key No.	Part Description	Qty.	PLDE36	PLDE48
1	Posi-Lok™ Ring	1	27001-0054S	27001-0054S
2	Air Release Valve with O-ring	1	25010-0200	24206-0103S
3	Pressure Gauge	1	15060-000T	15060-000T
4	Tank Upper Half with Air Relief Valve	1	27001-0020S	27001-0030S
5	Tank O-Ring	1	27001-0061S	27001-0061S
6	Filter Module	1	27002-0036S	27002-0048S
6A	Air Bleed Assembly	1	24800-0122	24800-0122
7	Diverter	1	27001-0015S	27001-0015S
8	Tank Lower Half*	1	27001-0016S	27001-0016S
9	Drain Plug	1	27001-0022S	27001-0022S
10	Safety Latch	1	27001-0051	27001-0051
11	Tank Support Base	1	27001-0018S	27001-0018S
12	2" Union Adapter Package (includes 2)	1	PKG 188	PKG 188

* Includes Key Nos. 7, 8, 9, 10.

TROUBLESHOOTING GUIDE

1. Short Cycle Time:

NOTICE: Cycle Time will vary with each installation and between different areas of the country. The following causes and remedies are for cycle times shorter than normal for your area.

- A. Chlorine residual too low; maintain proper residual (consult pool professional for recommendation).
- B. Flow rate too high; restrict flow to rated capacity of filter (see instruction plate on filter or specifications on Page 4).
- C. Filter is too small; install an additional filter.
- D. Improper/insufficient precoat; see precoat instructions (Page 5).
- E. Filter module is dirty or plugged; thoroughly clean the filter (see No. 4, "Plugged Module Cloth", and "Module Cleaning Procedure", Page 8).
- F. Too much DE; check for clogged filter module.
- G. Water is chemically out of balance; consult pool professional.
- H. Algae in the pool. Apply heavy dose of chlorine or algicide as recommended by the pool manufacturer.

2. Low Flow/High Pressure:

- A. Elements plugged; clean filter thoroughly (see Page 8).
- B. Pipe blocked downstream from filter; remove obstruction.
- C. Piping too small; use larger pipe (consult dealer for sizing).
- D. Filter area too small; install an auxiliary filter (consult dealer for recommendation).
- E. Outlet port check valve obstructed (if applicable); remove obstruction to allow valve to open.

3. Low Flow/Low Pressure:

- A. Pump too small; consult dealer for recommendations.
- B. Plugged pump or plugged hair and lint trap; clean thoroughly.

4. Plugged Module Cloth:

NOTICE: The pleated filter material may look matted after use. However, as long as the DE adheres to the pleated cloth, the filter is operating properly.

- A. Insufficient precoat; see precoat instructions (Page 6).
- B. Insufficient cleaning; follow cleaning instructions closely and clean thoroughly (see Page 8).

- C. Water is chemically out of balance; consult pool professional.
- D. Excessive air in filter; non-precoated areas may plug. Vent air from tank and check for pump suction pipe leaks. Clean air bleed filter in grid assembly with a hose and soft flow nozzle.
- E. Filter is too small. Install an additional filter.
- F. Pool water contains iron. See "Special Cleaning Instructions", Page 8.
- G. Algae in pool. Apply heavy dose of chlorine or algicide as recommended by the pool manufacturer.
- H. Use of incorrect chemicals with PHMB sanitizers. Replace filter module.
- I. Not enough D.E. precoat. See precoat instructions (Page 4).

5. Pool Water Not Clean:

- A. Chlorine residual too low; maintain adequate chlorine residual (consult pool service technician for recommendation).
- B. Broken filter module passing DE into pool; replace defective module.
- C. Insufficient or improper precoat; follow precoating instructions and use recommended amount of DE (see Page 4).
- D. Inadequate turnover rate; consult dealer to verify that equipment is properly sized for your pool.
- E. Pump is too large and is overpumping. Reduce the flow rate.
- F. The filter is installed backwards. Reinstall it correctly.
- G. Pool water contains iron. See "Special Cleaning Instructions", Page 8.
- H. Heavy or improper application of powdered chlorine tablets using a binder. See "Special Cleaning Instructions", Page 8.
- I. Algae in the pool. Apply heavy dose of chlorine or algicide as recommended by the pool manufacturer.

6. Pool Accessories Stop Working:

- A. Clean filter and observe performance of accessories.
- B. If accessories perform better after filter has been cleaned, use a shorter cleaning cycle for the filter (that is, clean the filter after a pressure rise of less than 10 PSI).

STA-RITE LIMITED WARRANTY

Pumps, filters, skimmers, underwater lights (excluding bulbs), accessories and fittings manufactured by Sta-Rite are warranted to be free of defects in material and/or workmanship for one (1) year from the original date of installation.

The foregoing warranties relate to the original consumer purchaser ("Purchaser") only. Sta-Rite Industries shall have the option to repair or replace the defective product, at its sole discretion. Purchasers must pay all labor and shipping charges necessary to replace the product covered by this warranty. Requests for warranty service must be made through the installing dealer. This warranty shall not apply to any product that has been subject to negligence, misapplication, improper installation or maintenance, or other circumstances which are not in Sta-Rite's direct control. Failure to have product installed by a professional in compliance with local codes will void any and all manufacturers warranty.

This warranty sets forth Sta-Rite's obligation and Purchaser's exclusive remedy for defective products.

STA-RITE SHALL NOT BE LIABLE FOR ANY CONSEQUENTIAL, INCIDENTAL OR CONTINGENT DAMAGES WHATSOEVER.

THE FOREGOING WARRANTIES ARE EXCLUSIVE AND IN LIEU OF ALL OTHER EXPRESS WARRANTIES. IMPLIED WARRANTIES, INCLUDING BUT NOT LIMITED TO THE IMPLIED WARRANTIES OF MERCHANTABILITY AND FITNESS FOR A PARTICULAR PURPOSE, SHALL NOT EXTEND BEYOND THE DURATION OF THE APPLICABLE EXPRESS WARRANTIES PROVIDED HEREIN.

Some states do not allow the exclusion or limitation of incidental or consequential damages or limitations on how long an implied warranty lasts, so the above limitations or exclusion may not apply to you. This warranty gives you specific legal rights and you may also have other rights which vary from state to state.

Supersedes all previous publications.

Product Specific Warranties (from date of installation)

Product Family	Limited Warranty	Exceptions
Filters	1 Year	System 3 Tank Bodies - 10 Yrs
Filter Valves	1 Year	
Pumps	1 Year	
Heaters	2 Years	*Commercial Application - 1 Yr
Controls	1 Year	
Above Ground Systems	1 Year	
Lights and Niches	1 Year	Lamps and Bulbs - 90 Days
White Goods	1 Year	
Maintenance Equipment	90 Days	
Drainer/Utility Pumps	90 Days	
Replacement Parts	90 Days	
Cleaners: Lil Shark	1 Year	
Cleaners: Calypso	1 Year	
Cleaners: Pool Shark	2 Years	Footpad and Seal Flaps - 1 Yr
Cleaners: Great White	2 Years	

* Commercial and multi-family application.

Retain this warranty certificate in a safe and convenient location for your records.

For technical information about this product, contact the installer or call Sta-Rite at 262-728-9181.

Visit www.staritepool.com

- for more information about Sta-Rite products listed above
- to locate a Sta-Rite dealer near you

CREATE A RECORD OF YOUR WARRANTY AT STA-RITE:

- Complete a warranty registration at www.staritepool.com by clicking on "Register Products" and selecting Sta-Rite Pool **OR**
- Complete bottom portion completely and mail within 10 days of installation to Sta-Rite, Attn.: Pool Warranty Dept., 293 Wright St., Delavan, WI 53115



Warranty Registration Card

Name _____

New installation Replacement

Address _____

Years pool has been in service less than 1 1-3 3-5 5-10

City _____ State _____ Zip _____

This product was purchased from:

Installation (or Purchase) Date _____

Company name _____

Product Purchased _____

Address _____

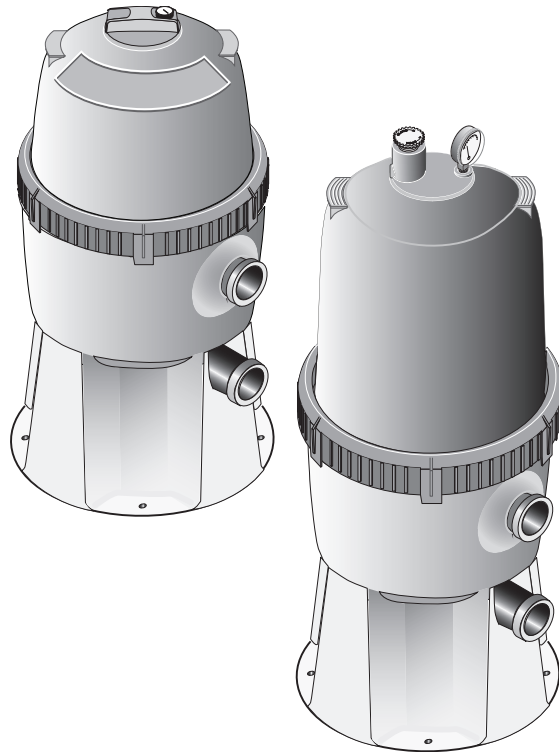
Model Number _____

City _____ State _____ Zip _____

STA-RITE®

Filtro modular de tierra de diatomeas "System 2™"

MANUAL DEL PROPIETARIO



INSTALACIÓN, OPERACIÓN Y REPUESTOS

MODELOS

PLDE36

PLDE48



Este manual se debe entregar al usuario final de este filtro; su uso reducirá las llamadas de servicio y la posibilidad de lesiones, y alargará la vida útil del filtro.

Sta-Rite Pool/Spa Group

293 Wright Street, Delavan, WI 53115

Internacional: 262-728-5551, FAX: 262-728-7550

www.starite.com

Union City, TN • Delavan, WI • Mississauga, Ont. • Murrieta, CA

© 2005, Sta-Rite Industries

S749 (Rev. 6/24/05)

Índice

Instrucciones de seguridad	2
Información general	3
Especificaciones	4
Instalación	5
Arranque inicial	5-6
Desensamblaje / ensamblaje del filtro	6-7
Procedimiento de limpieza del módulo	8
Instrucciones especiales para la limpieza	8
Inspección del sistema / acondicionamiento para el invierno	9
Lista de piezas de repuesto	10
Guía para la localización de fallas	11
Garantía	12

 ADVERTENCIA	<p>¡Presión peligrosa!</p> <p>Puede provocar una explosión del tanque.</p> <p>No conecte el filtro al aire comprimido bajo ninguna circunstancia.</p>
	

¡LEA Y SIGA LAS INSTRUCCIONES DE SEGURIDAD!

⚠ Este es el símbolo de alerta de seguridad. Cuando vea este símbolo en su filtro o en este manual, busque alguna de las siguientes palabras de advertencia y esté alerta a la posibilidad de lesiones personales:

⚠ PELIGRO advierte acerca de los peligros que **provocarán** lesiones personales graves, muerte o daños materiales considerables si se ignoran.

⚠ ADVERTENCIA advierte acerca de los peligros que **pueden provocar** lesiones personales graves, muerte o daños materiales considerables si se ignoran.

⚠ PRECAUCIÓN advierte acerca de los peligros que **provocarán** o **podrán provocar** lesiones personales o daños materiales menores si se ignoran.

La etiqueta **AVISO** indica instrucciones especiales que no están relacionadas con peligros.

Lea y siga cuidadosamente todas las instrucciones de seguridad en este manual y en el equipo. Mantenga las etiquetas de seguridad en buen estado; reemplace las etiquetas de seguridad faltantes o dañadas.

⚠ ADVERTENCIA **Presión peligrosa** Los equipos mal instalados o probados pueden fallar, provocando lesiones graves o daños materiales. Es importante leer y seguir las instrucciones que aparecen en el manual del propietario cuando se instalen y se operen equipos. Haga que un profesional competente de piscinas realice todas las pruebas de presión.

1. No conecte el sistema a un sistema de aguas públicas ni a otra fuente externa de agua presurizada.
2. Use el equipo sólo en instalaciones de piscinas o jacuzzis.
3. El aire atrapado en el sistema puede provocar explosiones. VERIFIQUE que haya salido todo el aire del sistema antes de hacer funcionar o de realizar las pruebas del equipo.

Antes de realizar la prueba de presión, haga las siguientes verificaciones de seguridad:

- Antes de realizar la prueba, inspeccione todas las abrazaderas, los pernos, las tapas, los aros de fijación y los accesorios del sistema.
- Antes de realizar la prueba descargue todo el aire en el sistema.
- Apriete las tapas de la trampa de la bomba Sta-Rite a una torsión de 30 ft. lbs. (4.1 kg-cm) para realizar la prueba.
- La presión del agua para la prueba debe ser inferior a 25 PSI (172 kPa).
- La temperatura del agua para la prueba debe ser inferior a 100° F (38° C).
- Limite la prueba a 24 horas. Después de realizada, inspeccione el sistema visualmente para verificar que esté listo para funcionar. Saque la tapa de la trampa de la bomba y vuelva a apretarla a mano solamente.

AVISO: Estos parámetros corresponden sólo a los equipos Sta-Rite. Para equipos que no son Sta-Rite, consulte con el fabricante de los mismos.

INFORMACIÓN GENERAL

- Limpie una piscina nueva a fondo antes de llenarla y hacer funcionar el filtro. El exceso de suciedad y de partículas de materias extrañas grandes en el sistema puede provocar daños graves en el filtro y en la bomba.
- Con un filtro modular de diatomeas (DE) instalado y funcionando debidamente, el agua limpia vuelve a la piscina con mayor rapidez de lo que el agua de la piscina se puede contaminar. Una instalación de piscina típica requerirá aproximadamente una semana para obtener el brillo que puede obtener con el filtro.
- No use más tierra de diatomeas en el filtro que la cantidad recomendada. El exceso de diatomeas puede provocar su acumulación entre los pliegues y la obstrucción del filtro.
- La presión máxima es de 50 PSI (345 kPa). NO conecte el filtro a un sistema de aguas públicas ni a un sistema de pozo de agua individual.

▲ ADVERTENCIA Presión peligrosa. Abra la válvula de desahogo de aire para purgar todo el aire del sistema antes de hacerlo funcionar. NUNCA opere el filtro si hay aire atrapado en su interior.

- El filtro modular de diatomeas Sta-Rite ha sido diseñado para filtrar agua en piscinas de natación y los balnearios. En una nueva instalación de piscina, recomendamos:
1. Desarmar el filtro después de la limpieza inicial.

▲ ADVERTENCIA Presión peligrosa. Para evitar lesiones graves o daños materiales considerables, siga exactamente el "Procedimiento de desensamblaje / ensamblaje del filtro" en las Páginas 6 y 7.

2. Saque el elemento y lávelo a manguera para eliminar la tierra de diatomeas usada y los contaminantes.
- Mantenga el pH del agua de la piscina entre 7.2 y 7.6.
 - Verifique que el tubo interno de purga de aire y el filtro estén limpios y debidamente instalados en la parte superior del módulo antes de operar el filtro.

- Verifique que el Aro Posi-Lok™ esté debidamente fijado en posición antes de operar el filtro.
- Mantenga el manómetro en buen estado de funcionamiento. Reemplace un manómetro averiado inmediatamente.
- Los intervalos de limpieza se basan en el aumento de presión y no en el tiempo de operación del filtro. Aguas de diferentes condiciones requerirán intervalos de limpieza normales diferentes.

Quando limpiar el filtro

El módulo filtrante generalmente se debe limpiar cuando la lectura del manómetro aumente 10 psi por encima de la presión inicial (registre la presión inicial en la "Información del Propietario", que aparece a continuación).

En ciertas piscinas, los accesorios, como las fuentes o los limpiadores de piscina pueden verse afectados considerablemente por el descenso normal de flujo cuando el filtro se ensucia. En ese caso, limpie el filtro con mayor frecuencia (es decir, a un aumento de presión menor de 10 psi) para mantener el flujo requerido.

- Verifique todos los códigos locales para obtener información sobre las restricciones asociadas a aguas servidas y a los requerimientos para la eliminación de tierra de diatomeas.
AVISO: Ciertos desinfectantes de piscinas pueden tapan el módulo filtrante. Para maximizar la vida útil del módulo y el tiempo de ciclo del filtro, observe estrictamente las instrucciones del fabricante del desinfectante cuando limpie la piscina o el filtro (consulte la Página 7).

Información del propietario

Número de serie _____

Concesionario _____

Número de teléfono del concesionario _____

Fecha de compra _____

Fecha de instalación _____

Lectura inicial del manómetro _____

ESPECIFICACIONES

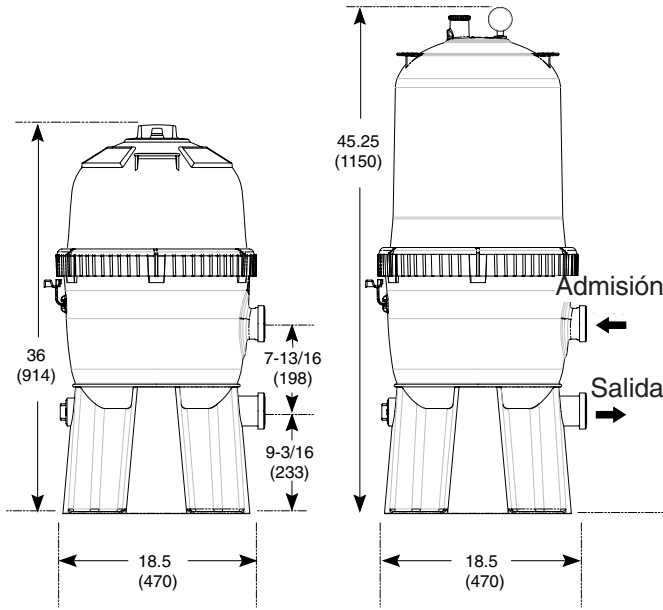


FIGURA 1A – Dimensiones en pulgadas (mm)

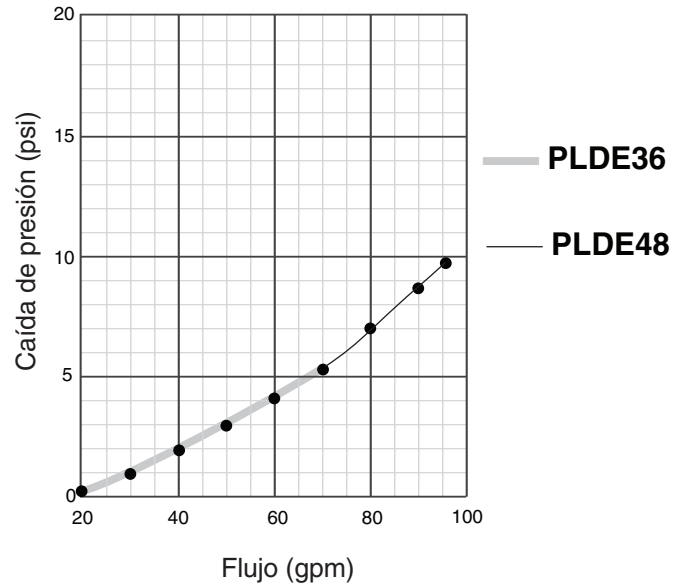


FIGURA 2 – Curva de la caída de presión

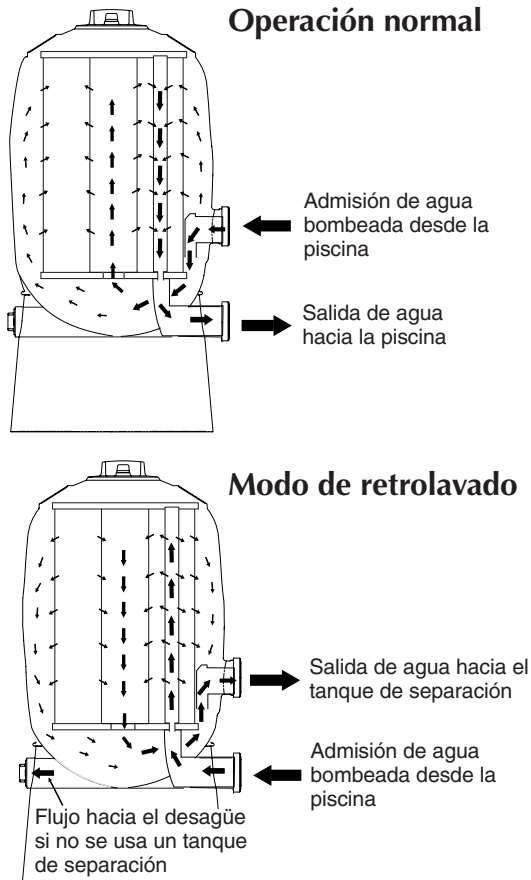


FIGURA 1B – Conexiones de tubería

Cuadro 1 - Fabricantes de tierra de diatomeas recomendados

Johns Manville	Celite 545™
GREFCO, Inc.	Decalite 4200™
Eagle-Picher Minerals, Inc.	Celatom™

Cuadro 2 - Especificaciones del filtro

	PLDE36
Área del filtro sq. ft. (m ²)	36 (3.3)
Lbs. (kg) de diatomeas usadas	5.4 lbs. (2.4 kg.)
Máximo caudal gpm (L/m)	72 (273)
Máx. presión de operación psi (kPa)	50 (345)
Máx. temperatura continua del agua F(C)	104° (40°)
	PLDE48
Área del filtro sq. ft. (m ²)	48 (4.5)
Lbs. (kg) de diatomeas usadas	7.2 lbs. (3.3 kg.)
Máximo caudal gpm (L/m)	96 (363)
Máx. presión de operación psi (kPa)	50 (345)
Máx. temperatura continua del agua F(C)	104° (40°)

Media libra de tierra de diatomeas llenará una lata de café de una libra.

INSTALACIÓN

La instalación del filtro debe ser realizada sólo por personas calificadas y competentes.

Ensamblaje del filtro

La instalación del filtro debe:

- Ser firme, nivelada, rígida, sin vibraciones y con un drenaje adecuado.
- Estar lo más cerca posible de la piscina para reducir la pérdida de presión debido a la fricción de las tuberías.
- Proporcionar protección contra la intemperie y las heladas.
- Proporcionar una ventilación adecuada para evitar que el motor se recaliente
- Proporcionar un espacio y una iluminación suficientes para acceder fácilmente a la bomba y a las tuberías en caso de reparaciones y mantenimiento (Consulte la Figura 1, Página 4, para obtener información sobre los requerimientos de espacio).

Tubería (Consulte la Figura 1B para las conexiones correctas):

AVISO: Verifique que el filtro y la tubería se puedan drenar para acondicionarlos para el invierno. Consulte la "Acondicionamiento para el invierno", Página 9.

- Las tuberías deben cumplir con los códigos sanitarios y de plomería locales y estatales.
- Use cinta de teflón, Plasto-Joint Stik[®], o Silastic RTV #732[®] en todas las conexiones macho de tuberías y accesorios de plástico. **NO use compuestos para tuberías en tuberías de plástico ya que pueden rajar la tubería. No use compuestos selladores en las uniones - ármelas en seco y apriételas a mano.**
- Apoye la tubería independientemente para evitar ejercer presión sobre el filtro.
- Los accesorios limitan el flujo; para mayor eficacia, use la cantidad menor posible de accesorios.
- Para facilitar el mantenimiento, se suministran empalmes de unión Sta-Rite para conectar la tubería a los orificios de admisión y de salida del filtro.
- Mantenga la tubería hermética y sin fugas: fugas en la línea de aspiración de la bomba pueden hacer que el aire quede atrapado en el tanque del filtro o que la bomba pierda cebadura; fugas en la línea de descarga de la bomba se pueden hacer evidentes a través de humedad o chorros de agua.
- **AVISO:** Los orificios del filtro se pueden rajar si se aprieta demasiado.

Válvulas:

- Si se instala una válvula de retención delante de la admisión del filtro, ésta impedirá que los contaminantes se drenen de regreso hacia la piscina.
- Una válvula de retención instalada entre el filtro y el calentador, impedirá que el agua caliente entre al filtro y deforme los componentes internos.
- Para una instalación con retrolavado, instale una Válvula Corrediza de dos Posiciones o una Válvula de Selección Múltiple de Sta-Rite con el filtro. Consulte el Cuadro 3. Si tiene la intención de limpiar el filtro según el "Procedimiento de limpieza del módulo", Página 7, no necesitará instalar una válvula corrediza o múltiple. Consulte la Figura 1B, Página 4, para obtener información sobre el flujo de agua correcto cuando conecte la tubería.
- Las conexiones de unión vienen equipadas con los orificios para el filtro y la válvula. **NO use compuestos selladores de tuberías en el collarín de unión (tuerca).**

¹ Lake Chemical Co., Chicago, IL

- Antes del ensamblaje, tenga cuidado de no dañar las superficies de sellado de las uniones ni el aro tórico.
- Para permitir la recirculación durante la colocación de la capa filtrante, instale una tubería de recirculación con cierre entre la línea de regreso de atenuación y la aspiración de la bomba.

Información eléctrica:

- **VERIFIQUE** que la puesta a tierra y la conexión del filtro cumplan con las normas locales y del Código Nacional de Electricidad. Todo el cableado, la puesta a tierra y las conexiones de los equipos asociados deben cumplir con las normas locales y del Código Nacional de Electricidad.

CUADRO 3 - Válvulas Sta-Rite para usar con los filtros Modelos PLDE36 y PLDE 48

Tamaño del orificio	Número de repuesto de la válvula multivía	Número de repuesto de la válvula corrediza de plástico
2"	18201-0300	14935-0300

AVISO: El uso de válvulas que no sean las arriba indicadas, puede provocar un flujo de agua inverso por el filtro y dañar los componentes internos del mismo.

ARRANQUE INICIAL

⚠ Verifique que la bomba esté apagada antes de iniciar el procedimiento de arranque.

⚠ ¡No opere estos filtros a más de 50 PSI (345 kPa) bajo ninguna circunstancia!

⚠ PRECAUCIÓN Para evitar daños graves al material del elemento, **NUNCA** haga marchar su Filtro de Diatomeas sin antes haber colocado una capa filtrante de diatomeas.

1. Fije el aro Posi-Lok[™] haciéndolo girar HACIA LA DERECHA hasta que haga clic, después del pasador de seguridad (consulte la Figura 3). Deje de girar cuando el aro haga clic después del pasador. Es posible que el aro quede ligeramente flojo, pero se ajustará más cuando se encienda la bomba y el filtro esté bajo presión.

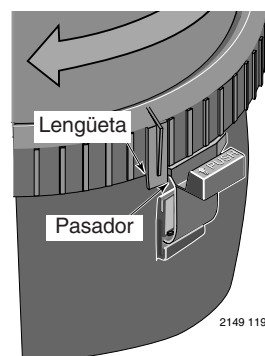


Figura 3 – Gire el Aro Posi-Lok[™] hasta que la lengüeta quede trabada detrás del pasador de seguridad.

2. Llene la trampa en la bomba con agua.
3. Abra la válvula de desahogo de aire en la parte superior del filtro.
4. Abra las válvulas de aislamiento.
5. Encienda la bomba para extraer el aire del sistema.

6. Cuando salga un chorro firme de agua de la válvula de desahogo de aire, cierre la válvula.

AVISO: Fugas alrededor del aro Posi-Lok™ pueden indicar que el aro no está totalmente trabado. En este caso, proceda de la siguiente manera:

- Detenga la bomba, cierre las válvulas de aislamiento y abra la válvula de desahogo de aire para soltar la presión que pueda haber dentro del filtro.
- Saque el tapón de desagüe y drene toda el agua del filtro.
- Empuje la parte superior del filtro hacia abajo para acomodar bien la estructura superior del tanque.
- Gire el aro Posi-Lok™ hacia la derecha hasta que quede trabado detrás del pasador de seguridad (consulte la Figura 3).
- Si el aro ya estaba trabado, sáquelo y saque la estructura superior del tanque. Inspeccione y limpie el aro tórico y todas las superficies de sellado. Vuelva a lubricar el aro tórico.

AVISO: Lubrique el aro tórico sólo con la grasa de silicona suministrada o con un producto equivalente, ya que otros lubricantes pueden hacer que el aro se hinche. NO lubrique el aro Posi-Lok™ ni las roscas en la estructura inferior del tanque, ya que pueden acumular polvo y dificultar su remoción.



7. Para preparar el compuesto de la capa filtrante, mezcle la tierra de diatomeas con agua. NO use más que la cantidad de tierra de diatomeas recomendada.

AVISO: Si se usa más que la cantidad recomendada de tierra de diatomeas, se tapaná el filtro. Si se usa menos que la cantidad recomendada se obtendrá una capa filtrante irregular que acortará la vida útil del elemento.

8. Vacíe el compuesto lentamente en el espumador para cubrir el elemento del filtro con una capa filtrante uniforme.

Una vez que el filtro esté funcionando, registre la lectura del manómetro del filtro en el manual del propietario para referencia futura.

AVISO: Cuando la instalación sea en una piscina nueva, después de unas 48 horas de operación, desarme el filtro y limpie el polvo de yeso y la suciedad de la construcción que se pueda haber acumulado. (consulte el "Procedimiento para la limpieza del módulo", Página 8).

	ADVERTENCIA
	Presión peligrosa. Puede provocar lesiones graves o daños materiales considerables debido a la explosión del tanque. Libere toda la presión y lea las instrucciones antes de trabajar en el filtro.

LIMPIEZA DEL FILTRO

Cuando limpiarlo:

AVISO: Si la instalación no permite retrolavado, realice el procedimiento de limpieza del módulo con regularidad (consulte la Página 8).

- Con un filtro nuevo:
 - Registre la presión de operación inicial. Cuando la presión llegue a 10 PSI (69kPa) por encima de la presión inicial de operación, detenga la bomba por 30-60 segundos para permitir la salida de la pastilla de filtración.
 - Vuelva a encender la bomba para formar una nueva pastilla. Ahora la presión deberá ser inferior a 10 PSI (69kPa) por encima de la presión inicial de operación.

c. Si la presión es aún más de 10 PSI (69kPa) por encima de la presión inicial de operación, retrolave el filtro (ver a continuación).

- Limpie a fondo la unidad de purga de aire en la parte superior del módulo filtrante CADA vez que abra el filtro. Asegúrese de eliminar toda la suciedad de la malla. Reemplace la malla si está averiada.
- Al menos dos veces al año, limpie el módulo filtrante a mano, según las instrucciones que aparecen en la Página 8. Al menos una vez al año, también siga las instrucciones de la sección "Instrucciones especiales para la limpieza", Página 8.

Procedimiento de retrolavado del filtro:

▲ PRECAUCIÓN Para evitar dañar el equipo y provocar posibles lesiones, apague la bomba antes de cambiar la posición de la válvula.

AVISO: Antes de retrolavar con un tanque de separación, consulte las instrucciones del fabricante en el manual del propietario.

- Detenga la bomba.
- Cambie la posición de la válvula.
 - Si usa una válvula multivía, colóquela en la posición de retrolavado.
 - Si el retrolavado se realiza con una válvula corrediza de dos posiciones, empuje el mango a la posición completamente hacia abajo.
- Encienda la bomba y hágala marchar por 3 minutos.
- Detenga la bomba y abra el desagüe lateral en el fondo del tanque.

AVISO: Se recomienda usar una válvula de desagüe de 1-1/2".

- Encienda la bomba y hágala marchar por 1 minuto, retrolavando a través de la válvula del filtro y del desagüe del tanque.
 - DETENGA LA BOMBA, vuelva a colocar la válvula del filtro en la posición de filtración y cierre el desagüe del tanque.
- AVISO:** No aspire la piscina mientras esté retrolavando el filtro.
- Compare la lectura de presión en el manómetro con la lectura registrada después del arranque inicial. Las dos lecturas deben ser bastante similares, de lo contrario, siga el "Procedimiento de limpieza del módulo", Página 8.

PROCEDIMIENTO DE DESENSAMBLAJE / ENSAMBLAJE DEL FILTRO

▲ ADVERTENCIA Presión peligrosa. Antes de desarmar el filtro:

- DETENGA LA BOMBA.
- CIERRE las válvulas de aislamiento.
- ABRA la válvula de desahogo de aire y el accesorio de desagüe.
- ESPERE hasta que se haya descargado toda la presión y se haya drenado toda el agua del tanque del filtro y del sistema antes de aflojar el aro Posi-Lok™.

Desensamblaje:

- Detenga la bomba.
- Cierre las válvulas de aislamiento para evitar una inundación.
- Abra la válvula de desahogo de aire en la parte superior del tanque del filtro para descargar toda la presión del interior del tanque.

AVISO: Verifique que la eliminación de las aguas servidas se realice conforme con los códigos y las reglas locales.
- Saque el tapón de desagüe y drene toda el agua del tanque.

5. Saque el aro Posi-Lok™ de la siguiente manera:
 - a. Oprima el pasador de seguridad (debajo del aro) hacia el tanque para aflojarlo (consulte la Figura 4).

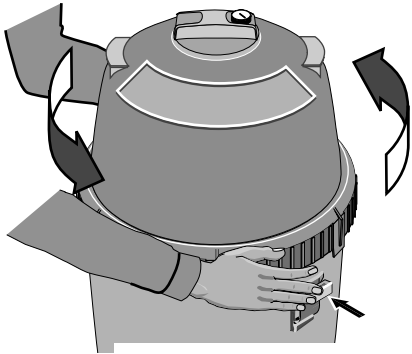


Figura 4 – Oprima el pasador de seguridad para destornillar el aro Posi-Lok™.

- b. Mantenga el pasador en la posición soltada y gire el aro HACIA LA IZQUIERDA para sacarlo. Si es difícil hacer girar el aro, se deberá golpetear suavemente con un martillo de caucho para aflojar la resistencia inicial.

AVISO: NO use un destornillador ni un instrumento con una hoja que pueda dañar las superficies de la estructura para separar las mitades del tanque.

6. Separe las mitades superior e inferior de la estructura del tanque usando las lengüetas en la parte inferior del aro Posi-Lok™. Introduzca la lengüeta en la ranura ubicada en la junta del tanque y gire el aro para separar las mitades de la estructura. Consulte las Figuras 5 y 6.

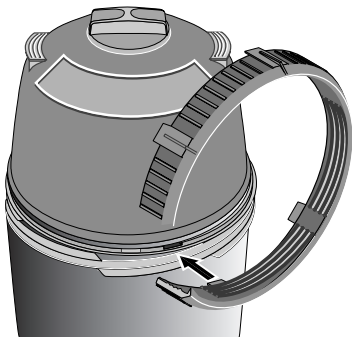


Figura 5 – Introduzca la lengüeta del aro en la ranura de la unidad del filtro.

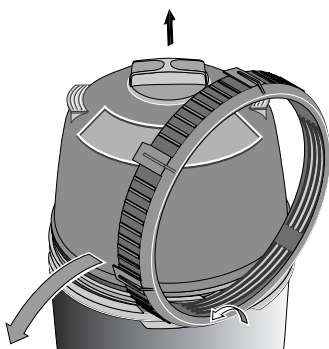


Figura 6 – Ruede el aro hacia un lado para aflojar la mitad superior del tanque.

7. Saque el aro tórico de la mitad superior de la estructura del tanque. Verifique que no tenga cortes, rajaduras, deformaciones o señales de desgaste, y reemplácelo de ser necesario. **AVISO:** Para evitar ejercer presión o causar daños, deje que el módulo filtrante se drene antes de sacarlo del tanque.

PASADOR DE SEGURIDAD (Consulte la Figura 7)

La finalidad del pasador de seguridad es mantener el aro Posi-Lok™ en la posición trabada. Si el pasador está averiado, reemplácelo de la siguiente manera:

1. Oprima la pequeña traba detrás del pasador de seguridad y presione o golpetee para sacar el pasador de la ranura en forma de T en el tanque (consulte la Figura 7).

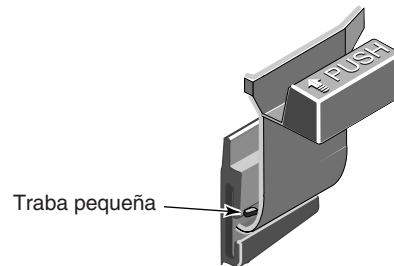


Figura 7 – Pasador de seguridad

2. Coloque el nuevo pasador. **AVISO:** NO opere el filtro si el pasador de seguridad está averiado o si no puede mantener el aro Posi-Lok™ en la posición trabada.

Ensamblaje:

1. Inspeccione y limpie el tanque, las roscas del aro y la ranura del aro tórico. Reemplace las piezas averiadas según se requiera.
2. Instale el filtro colocando el orificio en la parte inferior del cartucho del filtro sobre el orificio de salida del tanque. Presione con firmeza hacia abajo para que quede hermético.
3. Verifique que la unidad de purga de aire en la parte superior del módulo esté limpia y debidamente instalada. **AVISO:** Lubrique el aro tórico sólo con la grasa de silicona suministrada o con un producto equivalente, ya que otros lubricantes pueden hacer que el aro se hinche. NO lubrique el aro Posi-Lok™ ni las roscas en la estructura inferior del tanque, ya que pueden acumular polvo y dificultar su remoción.
4. Instale el aro tórico en la ranura del aro tórico en la mitad superior de la estructura del tanque. Verifique que el aro tórico esté limpio y no esté doblado.
5. Empuje la mitad superior del tanque en la mitad inferior del mismo para comprimir el aro tórico.
6. Coloque el aro Posi-Lok™ debidamente sobre las roscas de la estructura del tanque y hágalo girar HACIA LA IZQUIERDA hasta que el aro caiga en las ranuras y luego gire HACIA LA DERECHA hasta que haya quedado firmemente enganchado.
7. Siga las instrucciones de la sección de "Arranque inicial" en este manual.

PROCEDIMIENTO DE LIMPIEZA DEL MÓDULO

⚠ ADVERTENCIA Riesgo de quemaduras de índole

química. NO trate de limpiar el filtro o el módulo con ácido. Si el filtro requiere limpieza con ácido, contrate a un profesional capacitado para piscinas para realizar ese trabajo.

Siga todos los pasos indicados en la sección de "Desensamblaje" de este manual.

Es necesario sacar y limpiar el módulo filtrante cuando la presión se eleva más de 10 psi (69 kPa) por encima de la presión inicial. También consulte "Cuando limpiar el filtro," a continuación.

Quando limpiar el filtro

El módulo filtrante generalmente se debe limpiar cuando la lectura del manómetro aumente 10 psi por encima de la presión inicial (registre la presión inicial en la "Información del Propietario", que aparece a continuación).

En ciertas piscinas, los accesorios, como las fuentes o los limpiadores de piscina pueden verse afectados considerablemente por el descenso normal de flujo cuando el filtro se ensucia. En ese caso, limpie el filtro con mayor frecuencia (es decir, a un aumento de presión menor de 10 psi) para mantener el flujo requerido.

AVISO: NO exponga el módulo filtrante a la luz del sol por un período de tiempo prolongado.

AVISO: Cuando desinfecte su piscina con productos de limpieza de PHMB (a base de polihexametileno biguanida), use sólo productos de limpieza de PHMB para limpiar el módulo. Cuando use desinfectantes de PHMB, SE DEBERÁ limpiar el módulo filtrante más a fondo y con mayor frecuencia que para una piscina que usa cloro.

Siga atentamente las instrucciones del fabricante. El uso de cualquier otro tipo de productos de limpieza con los desinfectantes para piscina de PHMB anulará la garantía del filtro.

AVISO: Evite lavar la suciedad del filtro por el orificio de salida. Saque el tapón de desagüe y descargue todo el material del interior del tanque antes de sacar el módulo filtrante.

1. Con una manguera equipada con una boquilla de flujo suave, lave toda la suciedad posible del módulo filtrante mientras aún se encuentre dentro del tanque. Drene el tanque completamente.
2. Verifique que el interior del tanque esté limpio. Saque el módulo y lávelo bien con una manguera. Rocíe toda la superficie del módulo y deje que se drene.
3. Inspeccione el módulo. De ser necesario, repita la operación de lavado. Si el módulo está averiado, reemplácelo.

AVISO: Si este método de limpieza no elimina todos los depósitos, consulte la sección de "Instrucciones especiales para la limpieza" en este manual.

4. Inspeccione y limpie el filtro de purga de aire en la parte superior del módulo.
5. Siga todos los pasos en las secciones de "Ensamblaje" y de "Arranque inicial" de este manual.

Instrucciones especiales para la limpieza:

Use este procedimiento para limpiar la oxidación o los aceites que no se pueden eliminar simplemente lavando el módulo con una manguera. Asegúrese de eliminar los productos químicos usados según los códigos y las normas de eliminación de desechos que correspondan. Use una boquilla de chorro suave para reducir los salpicones de agua y el rocío.

⚠ PELIGRO Riesgo de incendio o de explosión. Aísle el filtro del sistema antes de la limpieza con productos químicos; enjuague completamente el filtro y los elementos antes de volver a ponerlos en servicio.

Si no se puede aislar el filtro, saque el medio y límpielo en otro lugar. Siga las instrucciones para el uso, del fabricante del producto químico. NO mezcle sustancias químicas excepto según lo que indique el fabricante. NO permita que los productos químicos de limpieza se mezclen o entren en contacto con cloro, bromo, con otras sustancias químicas o con dispositivos de alimentación de productos químicos.

1. Pase la esponja o rocíe el módulo según las instrucciones del fabricante del producto químico
2. Si es necesario ponerlo en remojo, saque el módulo del tanque filtrante y sumérjalo en un tanque separado. Siga atentamente las instrucciones del fabricante del producto de limpieza.
3. Después de terminar con las instrucciones del fabricante del producto químico, drene y enjuague el módulo completamente. Elimine los productos de limpieza según los códigos y las normas locales
4. Enjuague el interior del tanque filtrante. Drénelo completamente.
5. Siga las instrucciones de las secciones de "Ensamblaje" y "Arranque inicial" de este manual.

Productos de limpieza especializados para la limpieza del filtro que se recomiendan

Filter Cleanse™, Great Lakes Biochemical

BIOGUARD Strip Kwik™, BIOGUARD KleenIt™, Softswim® Filter Cleaner,** BIOLABS, Inc. Filter Kleen™, Haviland Products Co.

BAQUA CLEAN™, ** Zeneca, Inc.

** SE DEBE usar cuando se usen desinfectantes a base de PHMB.

INSPECCIÓN DEL SISTEMA

General:

Lave el exterior del filtro con un detergente suave y agua. Enjuague a manguera.

AVISO: NO use solventes para limpiar el filtro, ya que estos pueden dañar los componentes de plástico en el sistema.

AVISO: Abra la válvula de purga de aire y descargue todo el aire del filtro cada vez que detenga y vuelva a encender la bomba.

Inspección semanal:

1. Saque la suciedad de la cesta del espumador de la piscina.
2. Detenga la bomba; abra la válvula de desahogo de aire para descargar toda la presión.
3. Saque la cubierta y la cesta de la trampa y retire la suciedad.
4. Verifique que no haya fugas en la bomba. Si encuentra fugas, consulte el manual del propietario de la bomba.
5. Vuelva a colocar la cesta y la cubierta de la trampa. Apriete la cubierta a mano con firmeza. NO use una llave de tuercas para apretar la tapa.
6. Encienda la bomba. Cuando salga un chorro firme de agua de la válvula de desahogo de aire del filtro, ciérrela.
7. Cuando el sistema haya regresado a su operación normal, verifique la presión del filtro. Si la presión del filtro está a 10 PSI (69kPa) o más por encima de la presión inicial de arranque, será necesario limpiar el filtro. Consulte el "Procedimiento de limpieza del módulo", Página 8.

ACONDICIONAMIENTO PARA EL INVIERNO

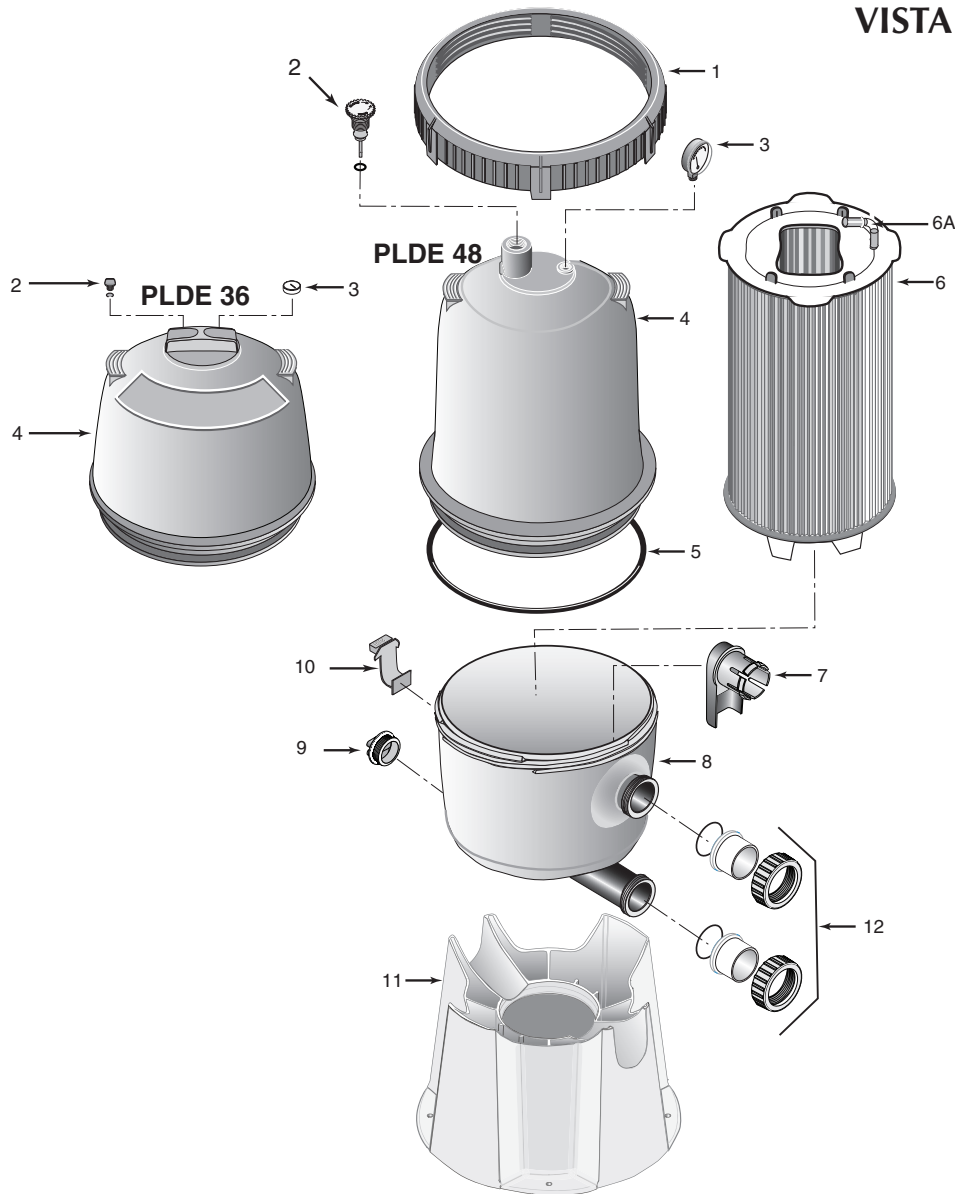
▲ ADVERTENCIA Peligro de explosión. Si se purga el sistema con aire comprimido, existe el peligro de que los componentes exploten y provoquen lesiones graves o muerte a las personas que estén en su cercanía. Use sólo un soplador de gran volumen y baja presión (debajo de 5 PSI), cuando purgue el aire de la bomba, del filtro o de la tubería.

AVISO: La tubería de salida del filtro no se vaciará por el desagüe del filtro. Verifique que la tubería de salida tenga un desagüe separado para el acondicionamiento para el invierno.

AVISO: Proteja el filtro con heladas. Si el filtro se congela, se dañará y la garantía quedará anulada.

1. Limpie el filtro según las instrucciones (Página 8) antes de acondicionarlo para el invierno.
2. Detenga la bomba.
3. Abra la válvula de desahogo de aire; abra todas las válvulas del sistema.
4. Saque los tapones de desagüe de la trampa, de la bomba y del filtro.
5. Drene la tubería del sistema.
 - a. Drene al máximo el sistema por gravedad.
 - b. Proteja las áreas que retienen agua con un anticongelante no tóxico de propilenglicol ("Anticongelante VR").
6. Afloje las tuercas de unión (si se usaron) para drenar todo el agua del interior del filtro. Deje estas tuercas flojas hasta que vuelva a encender el sistema.
7. Desarme el filtro (siga las instrucciones en la sección de "Desensamblaje del filtro", Páginas 6 y 7). Saque el módulo filtrante y guárdelo en un lugar templado y seco.

VISTA DETALLADA



LISTA DE PIEZAS DE REPUESTO

Clave No.	Descripción	Cant.	PLDE36	PLDE48
1	Aro Posi-Lok™	1	27001-0054S	27001-0054S
2	Válvula de desahogo de aire con aro tórico	1	25010-0200	24206-0103S
3	Manómetro	1	15060-000T	15060-000T
4	Mitad superior del tanque con válvula de desahogo de aire	1	27001-0020S	27001-0030S
5	Aro tórico del tanque	1	27001-0061S	27001-0061S
6	Módulo filtrante	1	27002-0036S	27002-0048S
6A	Unidad de purga de aire	1	24800-0122	24800-0122
7	Desviador	1	27001-0015S	27001-0015S
8	Mitad inferior del tanque*	1	27001-0016S	27001-0016S
9	Tapón de desagüe	1	27001-0022S	27001-0022S
10	Pasador de seguridad	1	27001-0051	27001-0051
11	Base de apoyo del tanque	1	27001-0018S	27001-0018S
12	Paquete de adaptadores de unión de 2" (incluye 2)	1	PKG 188	PKG 188

* Incluye claves números 7, 8, 9, 10.

GUÍA PARA LA LOCALIZACIÓN DE FALLAS

1. Tiempo de ciclo corto:

AVISO: El tiempo de ciclo varía con cada instalación y entre diferentes áreas del país. Las siguientes causas y soluciones son para tiempos de ciclo inferiores a los normales para su área.

- A. Cloro residual demasiado bajo; mantenga el residuo adecuado (obtenga las recomendaciones de un profesional de piscinas).
- B. Caudal demasiado alto; limite el flujo a la capacidad nominal del filtro (consulte la placa de instrucciones en el filtro o las especificaciones en la Página 4).
- C. El filtro es demasiado pequeño; instale un filtro adicional.
- D. Capa filtrante inadecuada / insuficiente; consulte las instrucciones para la capa filtrante (Página 5).
- E. El módulo filtrante está sucio o tapado; limpie el filtro a fondo (consulte el No. 4, "Paño del módulo tapado", y el "Procedimiento de limpieza del módulo", Página 8).
- F. Demasiada tierra de diatomeas; verifique que el módulo filtrante no esté tapado.
- G. Incorrecto equilibrio químico del agua; consulte con un profesional de piscinas.
- H. Algas en la piscina. Aplique una dosis fuerte de cloro o de algicida según las recomendaciones del fabricante de la piscina.

2. Bajo flujo / Alta presión:

- A. Elementos tapados; limpie el filtro a fondo (consulte la Página 8).
- B. Tubería bloqueada corriente abajo del filtro; elimine la obstrucción.
- C. Tubería demasiado pequeña; use una tubería más larga (consulte con el concesionario para determinar el tamaño adecuado).
- D. Área del filtro demasiado pequeña; instale un filtro auxiliar (obtenga recomendaciones del concesionario).
- E. Válvula de retención en el orificio de salida obstruida (si corresponde); retire la obstrucción para permitir que la válvula se abra.

3. Bajo flujo / Baja presión:

- A. Bomba demasiado pequeña; obtenga las recomendaciones del concesionario.
- B. Bomba tapada o trampa de cabello y pelusa tapada; limpie a fondo.

4. Paño del módulo tapado:

AVISO: El material plegado del filtro puede parecer opaco después del uso. Sin embargo, siempre que la tierra de diatomeas se adhiera al paño plegado, el filtro estará funcionando debidamente.

- A. Capa filtrante insuficiente; consulte las instrucciones para la capa filtrante (Página 6).
- B. Limpieza insuficiente; siga atentamente las instrucciones de limpieza y limpie a fondo (consulte la Página 8).

- C. Incorrecto equilibrio químico del agua; consulte con un profesional de piscinas.
- D. Demasiado aire en el filtro; las áreas sin capa filtrante se pueden tapar. Ventile el aire del tanque y verifique que la tubería de aspiración de la bomba no tenga fugas. Limpie el filtro de purga de aire en la unidad de rejilla con una manguera y una boquilla de flujo suave.
- E. El filtro es demasiado pequeño. Instale un filtro adicional.
- F. El agua de la piscina contiene hierro. Consulte las "Instrucciones especiales para la limpieza", Página 8.
- G. Algas en la piscina. Aplique una dosis fuerte de cloro o de un algicida según las recomendaciones del fabricante de la piscina.
- H. Uso de productos químicos incorrectos con desinfectantes de PHMB. Reemplace el módulo filtrante.
- I. No suficiente capa filtrante de diatomeas. Consulte las instrucciones para la capa filtrante (Página 4).

5. El agua de la piscina no está limpia:

- A. Cloro residual demasiado bajo; mantenga el residuo adecuado (obtenga las recomendaciones de un profesional de piscinas).
- B. El módulo filtrante está roto y pasa tierra de diatomeas a la piscina; reemplace el módulo defectuoso.
- C. Capa filtrante insuficiente o inadecuada; siga las instrucciones para la capa filtrante y use la cantidad recomendada de tierra de diatomeas (consulte la Página 4).
- D. Índice de renovación inadecuado; consulte con su concesionario para verificar que el equipo sea del tamaño adecuado para su piscina.
- E. La bomba es demasiado grande y bombea demasiado. Reduzca el caudal.
- F. El filtro está instalado en posición inversa. Vuelva a instalarlo correctamente.
- G. El agua de la piscina contiene hierro. Consulte las "Instrucciones especiales para la limpieza", Página 8.
- H. Aplicación fuerte o inadecuada de tabletas de cloro en polvo usando un aglomerante. Consulte las "Instrucciones especiales para la limpieza", Página 8.
- I. Algas en la piscina. Aplique una dosis fuerte de cloro o de algicida según las recomendaciones del fabricante.

6. Los accesorios de la piscina dejan de funcionar:

- A. Limpie el filtro y observe el desempeño de los accesorios.
- B. Si los accesorios se desempeñan mejor después de haber limpiado el filtro, use un ciclo de limpieza más corto para el filtro (es decir, limpie el filtro después de que el aumento de presión sea menor que 10 PSI).

GARANTÍA LIMITADA DE STA-RITE

Las bombas, los filtros, espumadores, las luces submarinas (excluyendo los focos), y los accesorios fabricados por Sta-Rite están cubiertos por una garantía contra defectos en material y/o mano de obra por un (1) año desde la fecha inicial de instalación.

Las garantías que anteceden sólo le corresponden al consumidor comprador inicial ("Comprador"). Sta-Rite Industries tendrá la opción de reparar o de reemplazar el producto defectuoso, a su solo juicio. Los Compradores deberán pagar todos los gastos de mano de obra y de envío necesarios para reemplazar el producto cubierto por esta garantía. Las solicitudes de servicio bajo garantía se deberán realizar a través del concesionario instalador. Esta garantía no se aplicará a ningún producto que haya sido sometido a negligencia, mal uso, instalación inadecuada o mal mantenimiento, o a cualquier otra circunstancia que no se encuentre bajo el control directo de Sta-Rite. Si este producto no ha sido instalado por un profesional conforme a los códigos locales, esta garantía y todas las garantías de los fabricantes quedarán invalidadas.

Esta garantía establece la obligación de Sta-Rite y el recurso exclusivo del Comprador con respecto a los productos defectuosos.

STA-RITE NO SE HARÁ RESPONSABLE DE NINGÚN DAÑO CONSECUENTE, INCIDENTAL O CONTINGENTE.

LAS GARANTÍAS QUE ANTECEDEN SON EXCLUSIVAS Y EN LUGAR DE TODA OTRA GARANTÍA EXPLÍCITA O IMPLÍCITA, INCLUYENDO PERO SIN LIMITARSE A LAS GARANTÍAS IMPLÍCITAS DE COMERCIABILIDAD E IDONEIDAD PARA UN FIN ESPECÍFICO, Y NO SE EXTENDERÁN MÁS ALLÁ DE LA DURACIÓN DE LAS GARANTÍAS EXPLÍCITAS CORRESPONDIENTES SUMINISTRADAS EN LA PRESENTE.

Algunos estados no permiten la exclusión o limitación de daños incidentales o consecuentes o de limitaciones de tiempo sobre garantías implícitas, de modo que es posible que las limitaciones o exclusiones que preceden no correspondan en su caso. Esta garantía le otorga derechos legales específicos y es posible que usted también tenga otros derechos que pueden variar de un estado al otro.

Reemplaza toda publicación anterior.

Garantías Específicas de los Productos (a partir de la fecha de su instalación)

Familia de productos	Garantía Limitada	Excepciones
Filtros	1 Año	Unidades de tanque del Sistema 3 - 10 años
Válvulas de filtro	1 Año	
Bombas	1 Año	
Calentadores	2 Años	*Uso comercial - 1 año
Controles	1 Año	
Sistemas sobre el suelo	1 Año	
Luces y nichos	1 Año	Lámparas y focos - 90 Días
Productos blancos	1 Año	
Equipo de mantenimiento	90 Días	
Bombas de drenaje/ uso general	90 Días	
Refacciones	90 Días	
Limpiadores: Lil Shark	1 Año	
Limpiadores: Calypso	1 Año	
Limpiadores: Pool Shark	2 Años	Pedales y charnelas selladoras - 1 año
Limpiadores: Great White	2 Años	

* Uso comercial y plurifamiliar.

Guarde este certificado de garantía en un lugar seguro y conveniente para su información.

Para obtener información técnica sobre este producto, comuníquese con el instalador o llame a Sta-Rite, al 262-728-9181.

Visite www.staritepool.com

- para obtener más información sobre los productos Sta-Rite indicados arriba
- para ubicar un concesionario de Sta-Rite cercano a usted

PARA CREAR UN REGISTRO DE SU GARANTÍA CON STA-RITE:

• Llene un registro de garantía en www.staritepool.com pulsando en "Registro de Productos" y seleccionando Albercas Sta-Rite **O**

• Llene la porción inferior y envíela por correo dentro de los 10 días de la instalación, a Sta-Rite, a la atención del Departamento de Garantías de Piscinas, 293 Wright St., Delavan, WI 53115.



Tarjeta de registro de garantía

Nombre _____

Nueva Instalación Reemplazo

Dirección _____

Años de servicio de la alberca menos de 1 1-3 3-5 5-10

Ciudad _____ Estado _____ Código postal/Zip _____

Este producto se compró en:

Fecha de instalación (o de compra) _____

Nombre de la empresa _____

Producto adquirido _____

Dirección _____

Número de modelo _____

Ciudad _____ Estado _____ Código postal/Zip _____

Free Manuals Download Website

<http://myh66.com>

<http://usermanuals.us>

<http://www.somanuals.com>

<http://www.4manuals.cc>

<http://www.manual-lib.com>

<http://www.404manual.com>

<http://www.luxmanual.com>

<http://aubethermostatmanual.com>

Golf course search by state

<http://golfingnear.com>

Email search by domain

<http://emailbydomain.com>

Auto manuals search

<http://auto.somanuals.com>

TV manuals search

<http://tv.somanuals.com>