

# ZXA5

## *ZxA5 Series Owner's Manual*



**ZxA5-60  
ZxA5-90**



# ZXA5

## Important Safety Instructions



**WARNING:** TO REDUCE THE RISK OF FIRE OR ELECTRIC SHOCK, DO NOT EXPOSE THIS APPLIANCE TO RAIN OR MOISTURE.  
**AVIS:** RISQUÉ DE CHOC ELECTRIQUE. NE PAS OUVRIR.

**WARNING:** CONNECT ONLY TO MAINS SOCKET WITH PROTECTIVE EARTHING CONNECTION.



The lightning flash with arrowhead symbol, within an equilateral triangle is intended to alert the user to the presence of uninsulated "dangerous voltage" within the product's enclosure that may be of sufficient magnitude to constitute a risk of electric shock to persons.



The exclamation point within an equilateral triangle is intended to alert the user to the presence of important operating and maintenance (servicing) instructions in the literature accompanying the appliance.



The asterisk within an equilateral triangle is intended to inform the user to necessary installation or removal instructions regarding equipment or hardware use relating to the system.

1. Read these instructions.
2. Keep these instructions.
3. Heed all warnings.
4. Follow all instructions.
5. Do not use this apparatus near water.
6. Clean only with a dry cloth.
7. Do not block any ventilation openings. Install in accordance with the manufacturers instructions.
8. Do not install near any heat sources such as radiators, heat registers, stoves, or other apparatus (including amplifiers) that produce heat.
9. Do not defeat the safety purpose of the polarized or grounding-type plug. A polarized plug has two blades with one wider than the other. A grounding type plug has two blades and a third grounding prong. The wide blade or the third prong are provided for your safety. If the provided plug does not fit into your outlet, consult an electrician for replacement of the obsolete outlet.
10. Protect the power cord from being walked on or pinched particularly at plugs, convenience receptacles, and the point where they exit from the apparatus.
11. Only use attachments/accessories specified by the manufacturer.
12. Unplug this apparatus during lightning storms or when unused for long periods of time.
13. Refer all servicing to qualified service personnel. Servicing is required when the apparatus has been damaged in any way, such as power-supply cord or plug is damaged, liquid has been spilled or objects have fallen into the apparatus, the apparatus has been exposed to rain or moisture, does not operate normally, or has been dropped
14. To completely disconnect AC power from this apparatus, the power supply cord must be unplugged.
15. Do not expose this apparatus to dripping or splashing and ensure that no objects filled with liquids, such as vases, are placed on this apparatus.
16. The AC plug of the power supply cord shall remain readily operable.

**Caution: Do not exceed the marked rating of the AC Output.**

**Example: If each additional unit is rated 3A, a maximum of 3 units can be connected for a total of 9A.**



**Management of WEEE (waste electrical and electronic equipment) (applicable in Member States of the European Union and other European countries with individual national policies on the management of WEEE) The symbol on the product or on its packaging indicates that this product may not be treated as regular household waste, but has to be disposed through returning it at a Telex dealer.**

## Important Service Instructions

**CAUTION: These servicing instructions are for use by qualified personnel only. To reduce the risk of electric shock, do not perform any servicing other than that contained in the Operating Instructions unless you are qualified to do so. Refer all servicing to qualified service personnel.**

1. Security regulations as stated in the EN 60065 (VDE 0860 / IEC 65) and the CSA E65 - 94 have to be obeyed when servicing the appliance.
2. Use of a AC separator transformer is mandatory during maintenance while the appliance is opened, needs to be operated and is connected to the AC.
3. Switch off the power before retrofitting any extensions, changing the AC voltage or the output voltage.
4. The minimum distance between parts carrying AC voltage and any accessible metal piece (metal enclosure), respectively between the AC poles has to be **3 mm** and needs to be minded at all times.  
The minimum distance between parts carrying AC voltage and any switches or breakers that are not connected to the AC (secondary parts) has to be **6 mm** and needs to be minded at all times.
5. Replacing special components that are marked in the circuit diagram using the security symbol (Note) is only permissible when using original parts.
6. Altering the circuitry without prior consent or advice is not legitimate.
7. Any work security regulations that are applicable at the location where the appliance is being serviced have to be strictly obeyed. This applies also to any regulations about the work place itself.
8. All instructions concerning the handling of **MOS** - circuits have to be observed.

Note:  SAFETY COMPONENT (HAS TO BE REPLACED WITH ORIGINAL PART ONLY)



# Table of Contents

---

Important Safety Instructions .....	1
ZxA5 Series Owner's Manual .....	2
Safety First .....	3
Description .....	4
System Features - ZxA5 .....	4
System Coverage - ZxA5 .....	4
System Setup - ZxA5 .....	5
ZxA5 Amplifier .....	5
Suspending ZxA5 Speaker Systems .....	7
ZxA5 Stage Monitor Positions .....	13
Specifications .....	14
Dimensions .....	15
Block Diagram .....	15
Frequency Response, Beamwidth, and Directivity .....	16
ZxA5 Rigging Accessory Reference Table .....	17
Painting ZxA5 Speaker Systems .....	18

## ZxA5 Series Owner's Manual

---

Thank you for choosing the Electro-Voice® ZxA5 series loudspeaker system. This system is the culmination of EV's 75 years of experience in transducer design. Please take time to consult this manual so that you can understand all the features built into your EV system and fully utilize all its performance capabilities.

# ZXA5

## Safety First

---

When setting up, installing and using the Electro-Voice® ZxA5 speaker system, there are a number of precautions that you should follow:

- When Electro-Voice® ZxA5 speakers are used for portable applications in which they will be positioned directly on the floor, make sure that the floor or stage is solid and secure.
- Electro-Voice® ZxA5 speakers include 1-3/8 inch stand mounts to allow mounting on tripod stands.

### **Make sure to:**

- Check the specifications of the speaker stand to be certain it is capable of supporting the weight of the speaker.
- Check that the speaker stand is placed on a flat, stable surface and be sure to fully extend the legs of the stand. Do not try to make the stand “taller” and compromise its structural integrity.
- Route cables and position the stand so that performers, production crew and audience members will not trip over the stand or cables and pull the speaker system over. Secure cables with wire ties or tape whenever possible.
- Do not attempt to suspend more than one speaker on a stand designed for a single speaker
- Unless you are confident that you can safely handle lifting the weight of the speaker onto the stand, ask another person to help you place it.
- If you intend to hang or fly the ZxA5 system, only do so safely with the correct hardware and accessories.



**WARNING:** Suspending any object is potentially dangerous and should only be attempted by individuals who have a thorough knowledge of the techniques and regulations of rigging objects overhead. Electro-Voice® strongly recommends that ZxA5 speakers be suspended taking into account all current national, federal, state and local regulations. It is the responsibility of the installer to ensure that ZxA5 speakers are safely installed in accordance with all such regulations. If ZxA5 speakers are suspended, Electro-Voice® strongly recommends that the system be inspected at least once a year. If any sign of weakness or damage is detected, remedial action should be taken immediately. There are data sheets for each EV Suspension and Array Kit that should also be consulted prior to suspending speakers.



• Electro-Voice® does not recommend use of ZxA5 speakers outdoors without protection from rain or in high moisture environments.



• Electro-Voice® ZxA5 loudspeakers are easily capable of generating sound pressure levels sufficient to cause permanent hearing damage to anyone within normal coverage distance. Caution should be taken to avoid prolonged exposure to sound pressure levels exceeding 90 dB.

This is a Class A product. In a domestic environment this product may cause radio interferences in which case the user may be required to take adequate measures.



## Description

The Electro-Voice® ZxA5 high powered loudspeakers are fully integrated audio systems with carefully matched electronics and transducers. These products make it easy to setup a high quality sound system quickly with a minimum amount of cables and external electronics. You won't find a speaker system available on the market that offers the unbelievable sound, incredible flexibility and tremendous output capability of the ZxA5 anywhere near it's size and weight.

## System Features - ZxA5

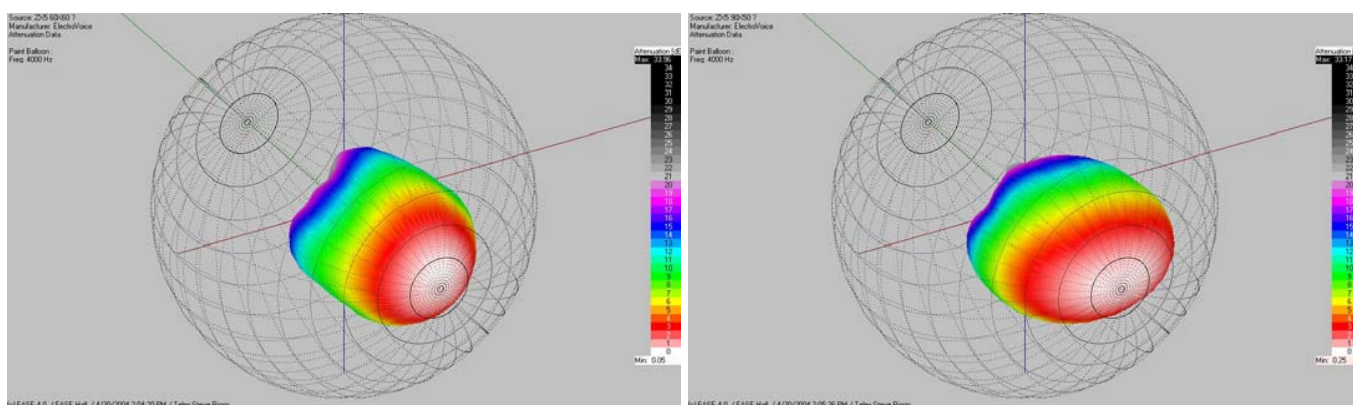
- Integrated Amplifier with 1000W LF, 250W HF
- Selectable 100 Hz High Pass
- XLR and 1/4" TRS Input Connector
- XLR Output Connector
- PowerCon Connector with Slave Through
- DVX3150 15" LF Transducer with Forced Air Cooling
- ND2 2" Voice Coil, 1" Exit Neodymium Compression Driver
- Two Models: 60° x 60° or 90° x 50° Coverage Patterns
- High Sensitivity, 133 dB Maximum SPL
- Adjustable Monitor Angle (45° or 55°)
- 3 Anchor Plates for Single Stud Fittings and 10 Integral Suspension Points
- Full Line of Accessories

## System Coverage - ZxA5

### Coverage Patterns and Applications

ZxA5-60      60° x 60° coverage for long-throw and cluster applications

ZxA5-90      90° x 50° for wider coverage or shorter distances



**Figure 1a:**  
3D EASE Directivity Balloon,  
ZxA5-60, 60° x 60° Coverage

**Figure 1b:**  
3D EASE Directivity Balloon,  
ZxA5-90, 90° x 50° Coverage



# ZXA5

## System Setup - ZxA5

To get the ZxA5 into operation as quickly as possible, please observe the following steps and precautions:

- Plug the 3-terminal PowerCon AC cable into a grounded line receptacle. Extension cords can be used to lengthen the AC cable as necessary but make sure that they are 3-conductor 14 gauge or greater, and that they are properly grounded to avoid electrical hazards and extraneous noise.
- Be sure that the ZxA5 is plugged into an AC power source that is capable of supplying the correct voltage. If the line voltage drops too much, the built-in amplifiers won't be able to develop their rated power and sound quality will suffer. Under high signal conditions, the 120V ZxA5 amplifier can draw 3 - 4 amps of current (2 amps at 240V). That means that no more than (3) ZxA5 systems should be plugged into a single 15 amp electrical service. Be cautious of what else is plugged into the same electrical service line to avoid electrical problems and poor performance.



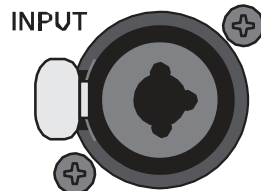
**CAUTION:** Before turning the power on, make sure that the level controls are down to avoid transients or unexpected loud sound.

## ZxA5 Amplifier

### Input Signal Connector

Electronically balanced inputs for the connection of high-level signal sources such as mixers, signal

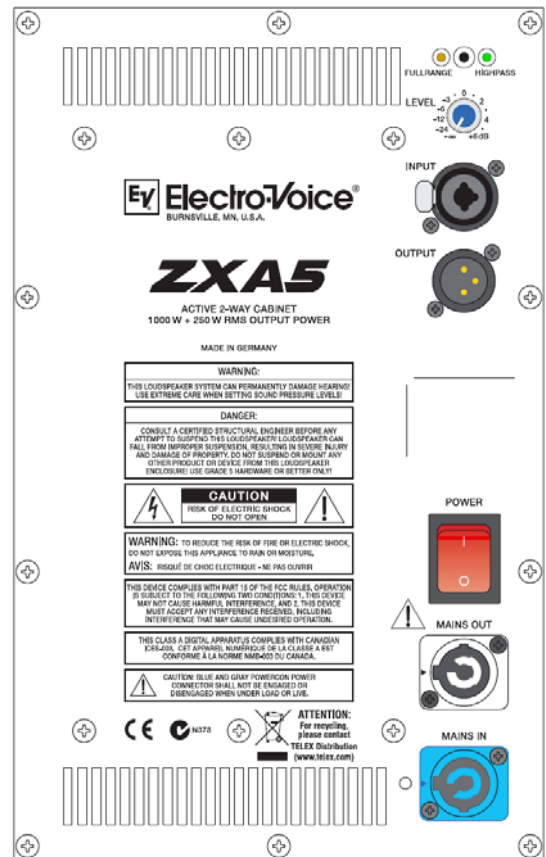
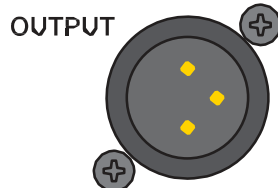
processors, etc. Establishing the connection is possible via a combination 1/4" TRS and XLR jack. Balanced connection is recommended to prevent noise or HF-interference.



**CAUTION:** Before connecting or disconnecting any plugs, make sure to set the level control to its counterclockwise stop, which prevents the system and audience from contact pops and noise.

### Output Signal Connector

Output is full bandwidth pass through.



**Figure 2:**  
Amplifier Panel, ZxA5

# ZxA5 Amplifier (cont')



## Crossover Mode Switch

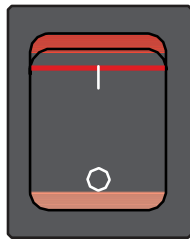
Selects between 40 Hz highpass filter for Fullrange use, and 100 Hz highpass filter for use with a subwoofer. It is not recommended that you use a ZxA5 in Fullrange mode with subwoofers.



## Level

This control sets the output level of the ZxA5 in a range between  $-\infty$ dB and +6dB. The internal power amplifier provides a nominal input sensitivity of +6dBu.

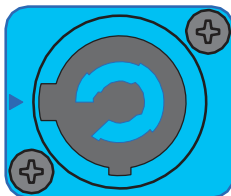
## POWER



## Power Switch

AC switch for switching the ZxA5's power ON or OFF. The switch lights after turning the power ON. If the switch is not lit upon turning the power on, make sure that the AC cord is correctly connected. If the AC cord is correctly connected and the AC switch does not light upon power-on, please contact your local dealer.

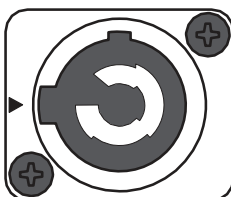
## MAINS IN



## Mains In

AC connection is established via a PowerCon connector. A 15' (5m) long AC cord with PowerCon plug is supplied.

## MAINS OUT



## Mains Out

The PowerCon AC out socket allows the connection of additional ZxA5 Systems.

To prevent AC network overload, connecting more than (3) ZxA5 Systems to a single AC outlet (10A - 16A) is not recommended.



CAUTION: Blue and grey PowerCon power connector shall not be engaged or disengaged when under load or live.

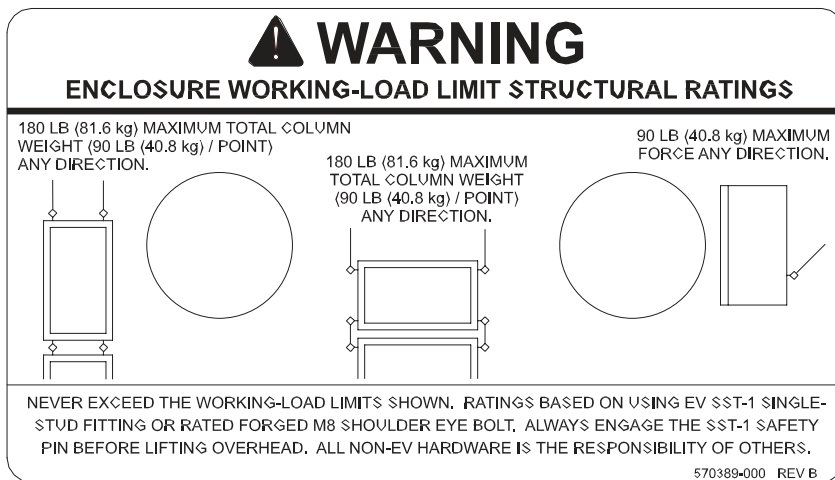


CAUTION: This appliance has no user-serviceable parts inside. Leave any servicing and maintenance to qualified service technicians only.

# ZXA5

## Suspending ZxA5 Speaker Systems

ZxA5 enclosures have 5 steel anchor points internally mounted on the top, bottom, and rear. Single stud fittings can be attached to these anchor plates and used as suspension points. Each of these anchor plates also has a M8 thread to accept rated forged M8 shoulder eyebolts. In addition to these points there are five additional M8 threaded points; two on the handle side, and three on the rear. These points can be used for suspending ZxA5s vertically, horizontally, individually, in clusters, or to attach to EV mounting brackets. Working load limits for the ZxA5 and fittings are shown in Figure 3.



**Figure 3:**  
*Working Load-Limit Rating of ZxA5 Speaker System*

Prior to each use, inspect the grid assembly or suspension point(s) and associated hardware for any cracks, deformations, broken welds, corrosion, missing or damaged components which could reduce the grid assembly or suspension point(s) strength. Replace any damaged hardware. Never exceed the limitations or maximum recommended load intended for grid assembly design or suspension point(s). As an added safety measure, it is suggested that the user install a second suspension point back to the grid (or building structural supports). This redundant safety point should have as little slack as possible (less than one inch is preferable).

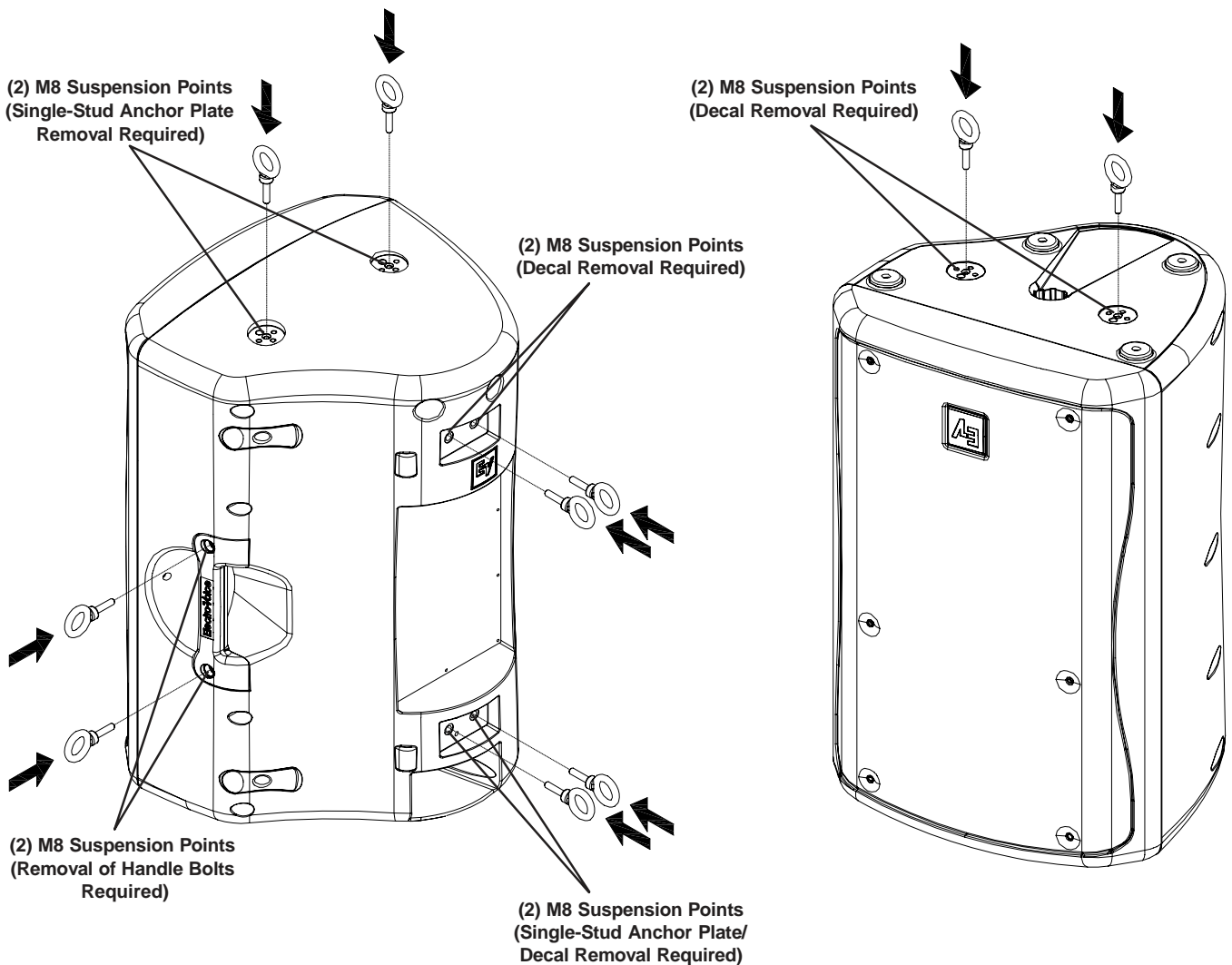
Prior to each use, inspect the loudspeaker enclosures for any cracks, deformations, missing or damaged components, which could reduce enclosure strength. Inspect the bracket assembly on the enclosures for any cracks, deformations, missing or loose screws which could reduce the flying hardware strength. Replace any loudspeaker systems that are damaged or missing hardware. Never exceed the limitations or maximum recommended load for the ZxA5 systems.



# Suspending ZxA5 Speaker Systems (cont')

## ZxA5 M8 Suspension Points

Metric (M8) inserts are equipped on the top and bottom of the enclosure, around the handle, and on the back of the enclosure for a total of 10 points. The inserts can be used to attach forged eyebolts or rigging brackets.



**Figure 4a:**  
ZxA5 M8 Suspension Points (Top, Handle, Rear)

**Figure 4b:**  
ZxA5 M8 Suspension Points (Bottom)

# ZxA5

## Suspending ZxA5 Speaker Systems (cont')

### Suspending the ZxA5 using optional Electro-Voice Single-Stud Rigging Kits

The ZxA5 is shipped with three single-stud anchor plates for rigging with single-stud rigging. There are two more locations on the bottom to mount single-stud anchor plates for flying the ZxA5 upside-down or horizontally. All of these locations can facilitate M8 Eyebolts if desired as well.

**Figure 5:**

*Suspending the ZxA5 Using Included Single-Stud Anchor Plates*

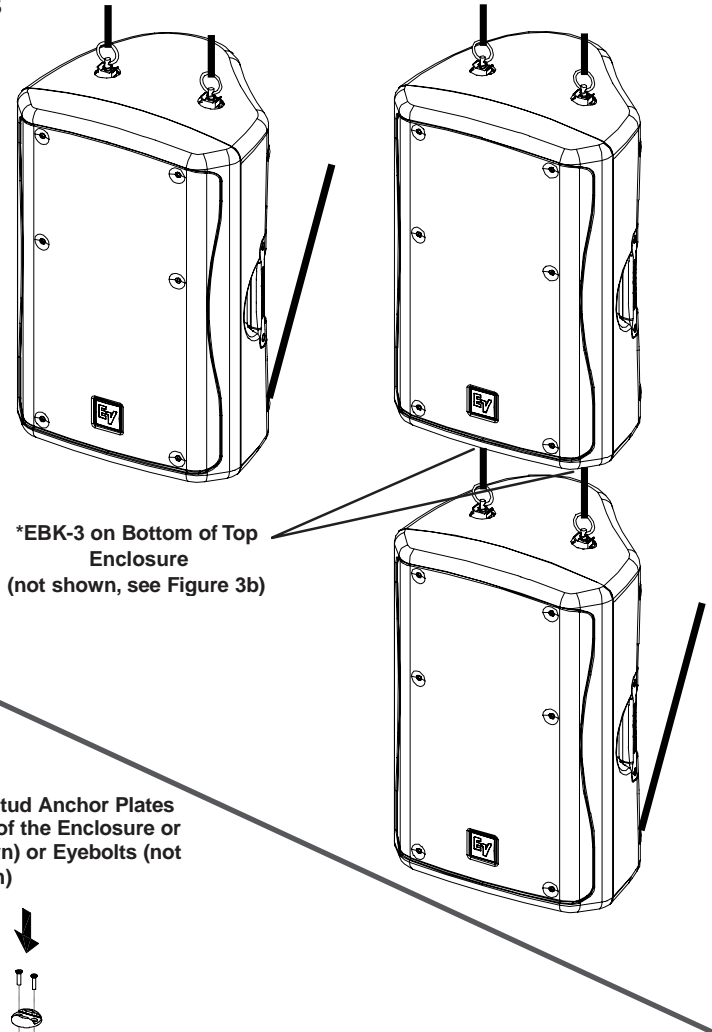
**Kit Used (Left View) -**

**SSK-1 Single-Stud Rigging Kit (x1)**

**Kits Used (Right View) -**

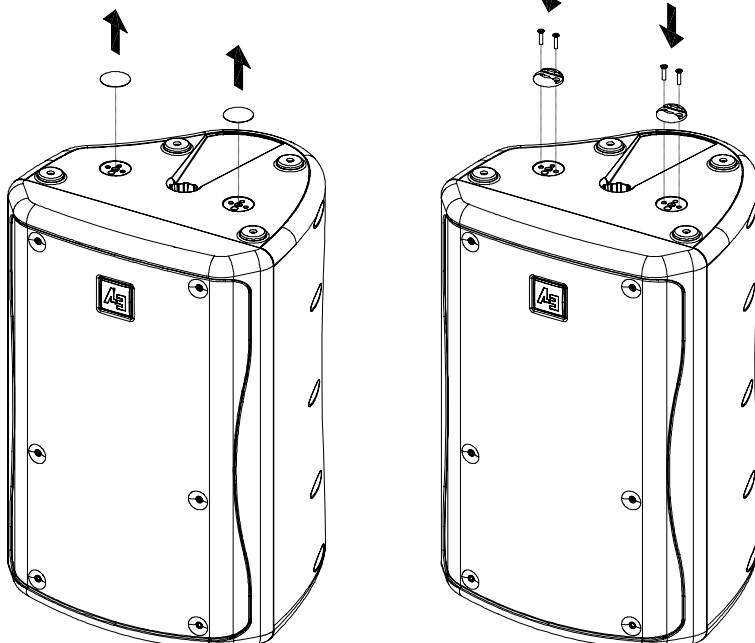
**SSK-1 Single-Stud Rigging Kit (x2)**

**EBK-3 Forged M8 Eyebolt Kit (x1)\***



**Step 1: Remove Decals**

**Step 2: Attach Single-Stud Anchor Plates Removed from the Top of the Enclosure or optional RK-Z Kit (shown) or Eyebolts (not shown)**



**Figure 6:**

*Suspending the ZxA5 Upside-Down Using Included Single-Stud Anchor Plates and Single-Stud Rigging Kit*

**Kits Used -**

**RK-Z Single-Stud Anchor Plate Kit (x1)**

**SSK-1 Single-Stud Rigging Kit (x1)**

# Suspending ZxA5 Speaker Systems (cont')

## Horizontal Suspension of the ZxA5

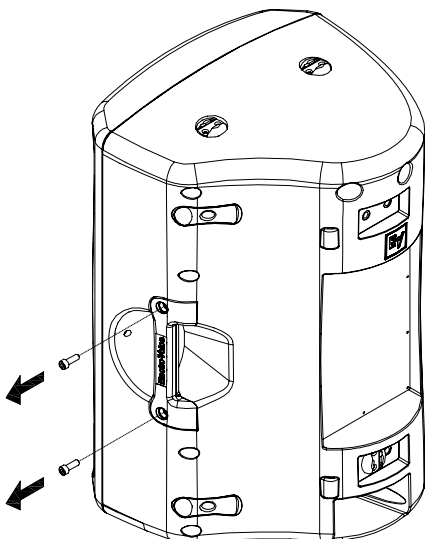
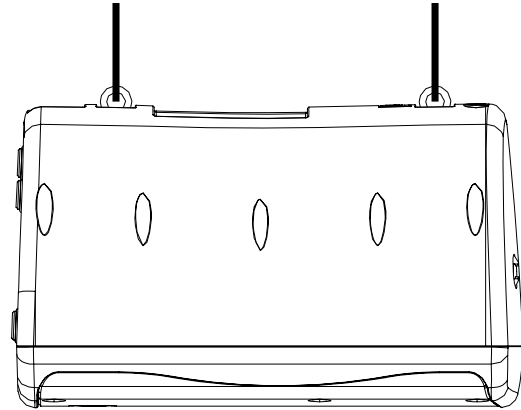
The ZxA5 is capable of being suspended horizontally from the side (handle) or downward from the rear with the use of M8 Eyebolts.

**Figure 7:**

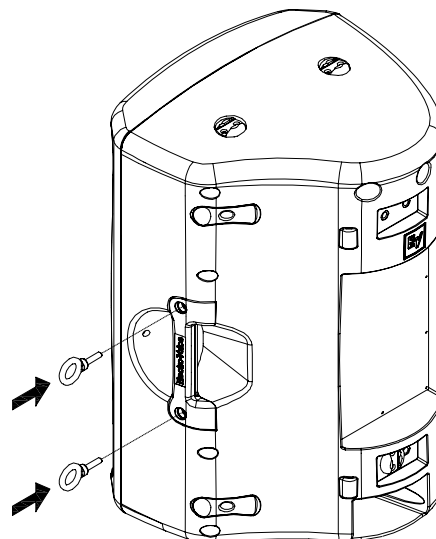
*Suspending the ZxA5 Downward from Rear Using Optional Forged Eyebolt Kit\**

**Kit Used - EBK-3 Forged M8 Eyebolt Kit (x1)**

**\*Note -** When suspending from the rear M8 suspension points, it is recommended that the (2) left M8 suspension points are used on the rear of the enclosure for best weight distribution in relation to enclosure's center of gravity.



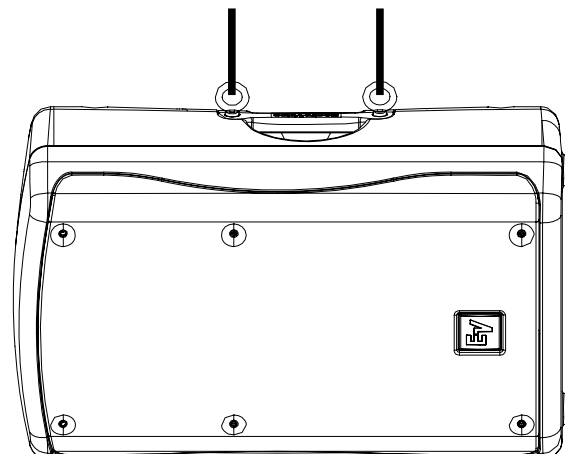
**Step 1: Remove Handle Bolts**



**Step 2: Attach Eyebolts**

**Figure 8:**

*Assembling Eyebolts to Handle for Horizontal Suspension*



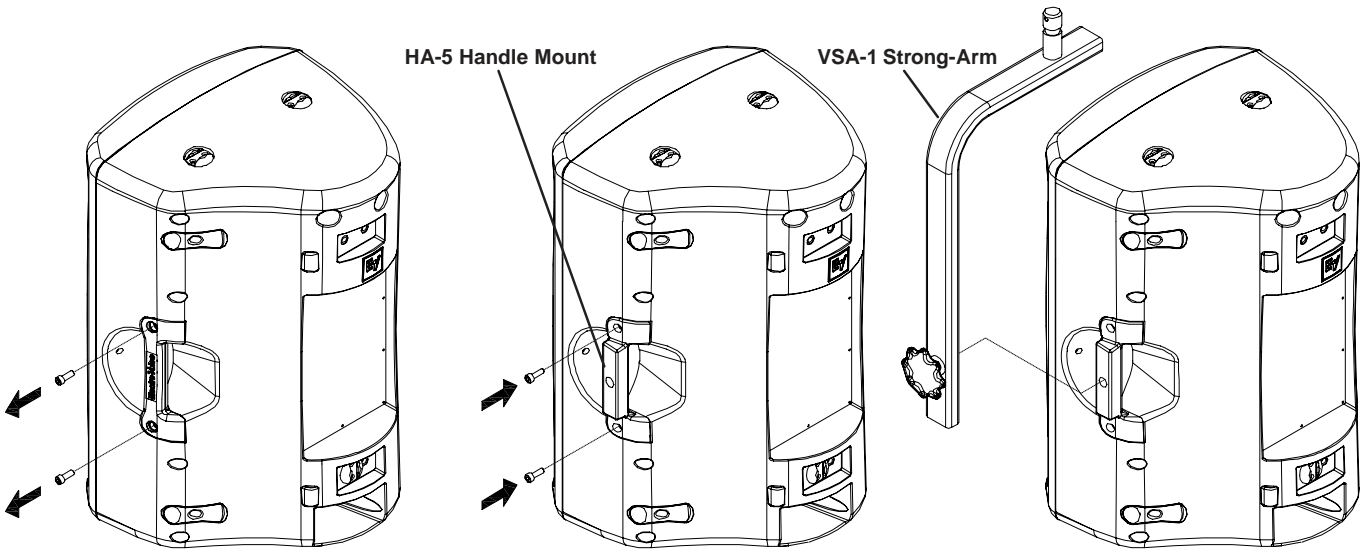
**Figure 9:**

*Suspending the ZxA5 Horizontally from Handle Using Optional Forged Eyebolt Kit*

**Kit Used - EBK-3 Forged M8 Eyebolt Kit (x1)**

# ZxA5

## Suspending ZxA5 Speaker Systems (cont')



Step 1: Remove Handle Bolts and Handle

Step 2: Attach HA-5 and Handle Bolts

Step 3: Attach VSA-1 Strong-Arm Mount

**Figure 10:**

*Assembling HA-5 Adapter for use with VSA-1 Strong-Arm Mount*

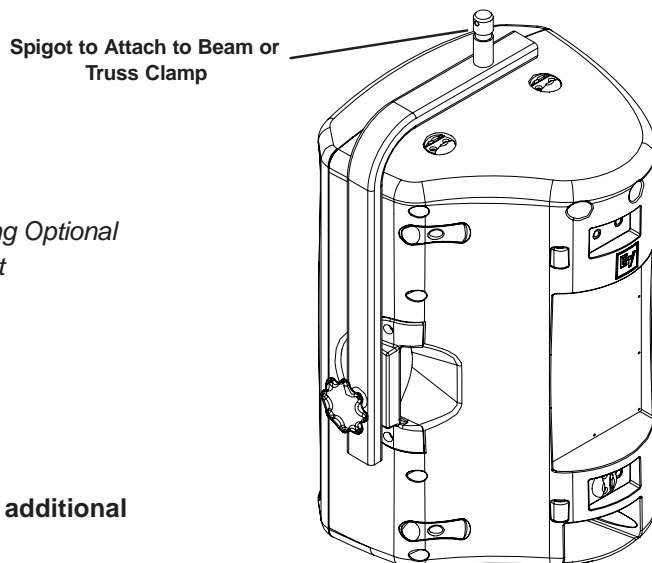
**Kits Used -**

**HA-5 Handle Adapter Kit (x1)**

**VSA-1 Strong-Arm Mount (x1)**

### Arraying and Suspending the ZxA5 using optional Electro-Voice Mounting or Array Brackets

Figures 11 and 12 show several applications using EV mounting and array brackets. Carefully follow the instructions in this manual & the user manual packaged with EV brackets, and always use safe rigging practices when suspending ZxA5.



**Figure 11:**

*Suspending the ZxA5 Vertically from Handle Using Optional Handle Adapter and Strong-Arm Mount*

**Kits Used -**

**HA-5 Handle Adapter Kit (x1)**

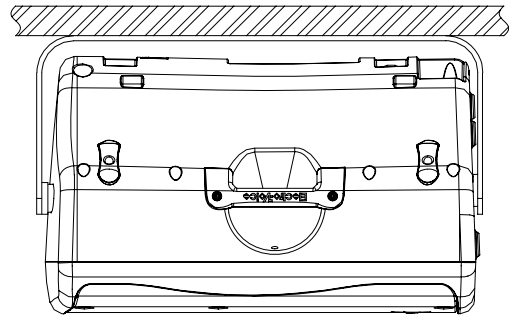
**VSA-1 Strong-Arm Mount (x1)**

**\*Note - Please consult VSA-1 User Manual for additional information.**

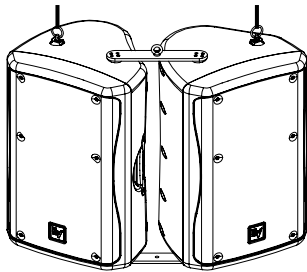
# Suspending ZxA5 Speaker Systems (cont')



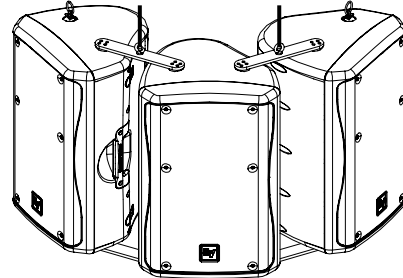
Kit Used - MB5 Wall/Ceiling Mounting Bracket  
(Wall Configuration)



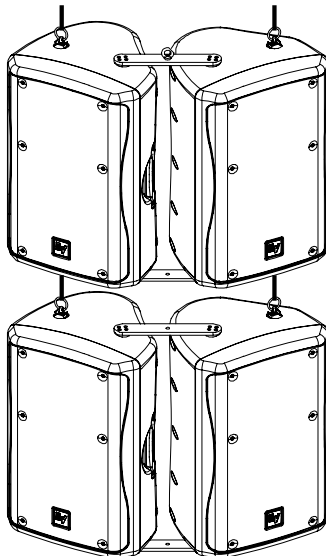
Kit Used - MB5 Wall/Ceiling Mounting Bracket  
(Ceiling Configuration)




Kits Used - CB5 Array Bracket Kit (x1)\*  
SSK-1 Single-Stud Rigging Kit (x1)

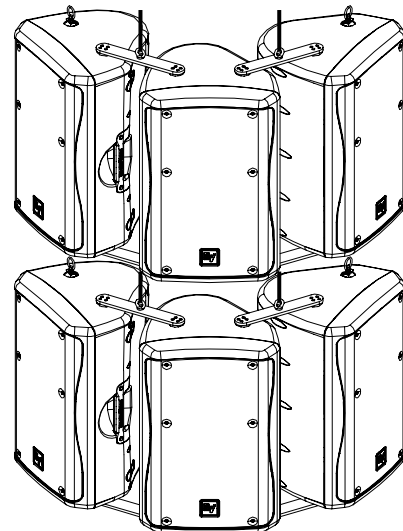


Kit Used - CB5 Array Bracket Kit (x2)\*



Kits Used - CB5 Array Bracket Kit (x2)\*  
SSK-1 Single-Stud Rigging Kit (x2)  
EBK-3 Forged M8 Eyebolt Kit (x1)

  
**NOTE:** Do not exceed working load limit for individual rigging points when arraying the ZxA5. (See Figure 3, Page 7)



Kits Used - CB5 Array Bracket Kit (x4)\*  
EBK-3 Forged M8 Eyebolt Kit (x1)

\*Note - CB5 Array Kits can be used for 60° or 90° Splay Angles

**Figure 12:**  
*Arraying and Suspending the ZxA5*

# ZxA5

## ZxA5 Stage Monitor Positions

### ZxA5 as a Monitor

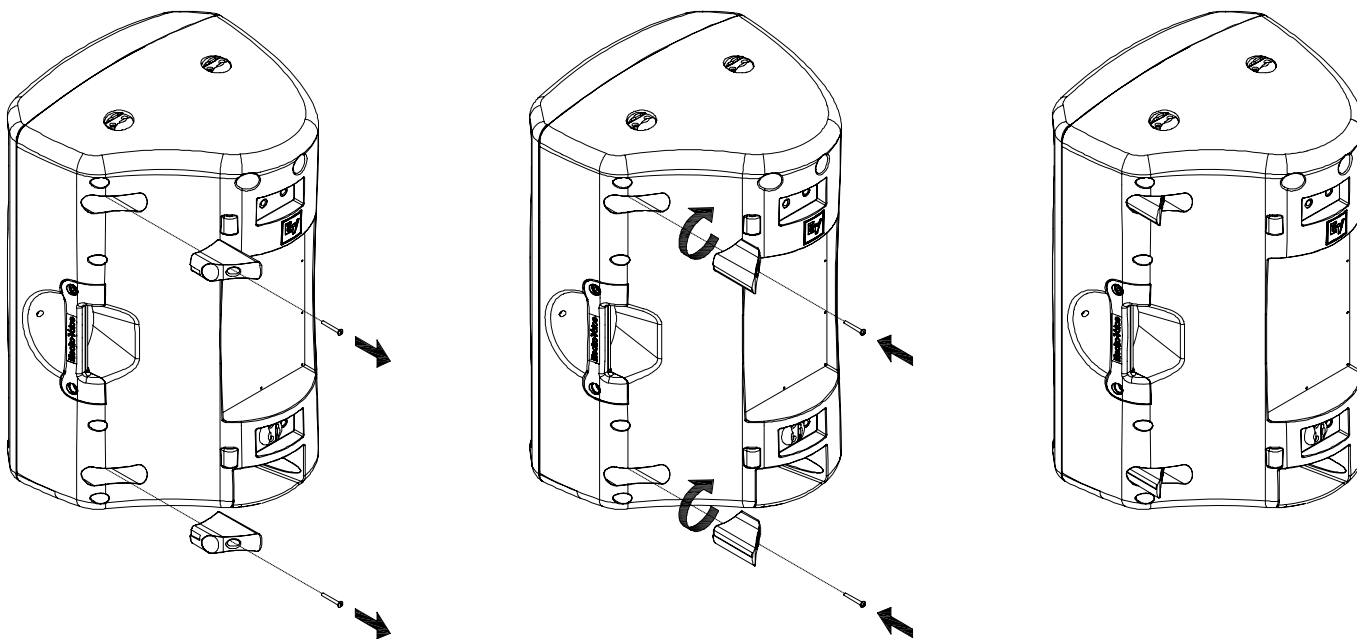
By design the ZxA5 is a perfect solution for stage monitors. As different stage sizes require different monitor angles, the ZxA5 offers two angles without any additional accessories.



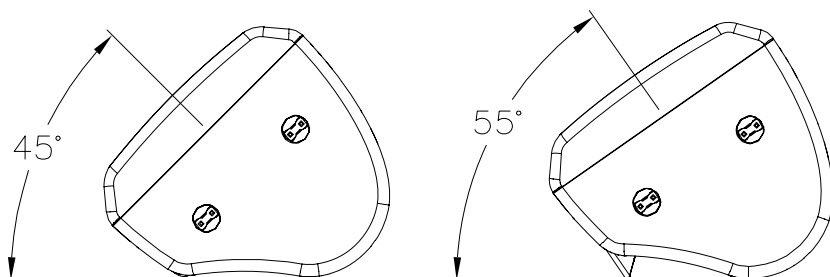
Step 1: Remove Monitor Foot Screws

Step 2: Rotate Monitor Feet 180°

Step 3: Re-attach Monitor Feet and Screws



**Figure 13:**  
Switching the Monitor Feet from the 45° to 55° Positions



**Figure 14a:**  
ZxA5 as Monitor in 45° Position

**Figure 14b:**  
ZxA5 as Monitor in 55° Position



**CAUTION:** When flipped to 55° the feet protrude from the enclosure. Care should be taken when moving the enclosure, since damage to the feet or enclosure might occur if the system is dropped or slid across a rough surface. It is recommended that the feet be returned to the 45° position for transport.





# Technical Specifications

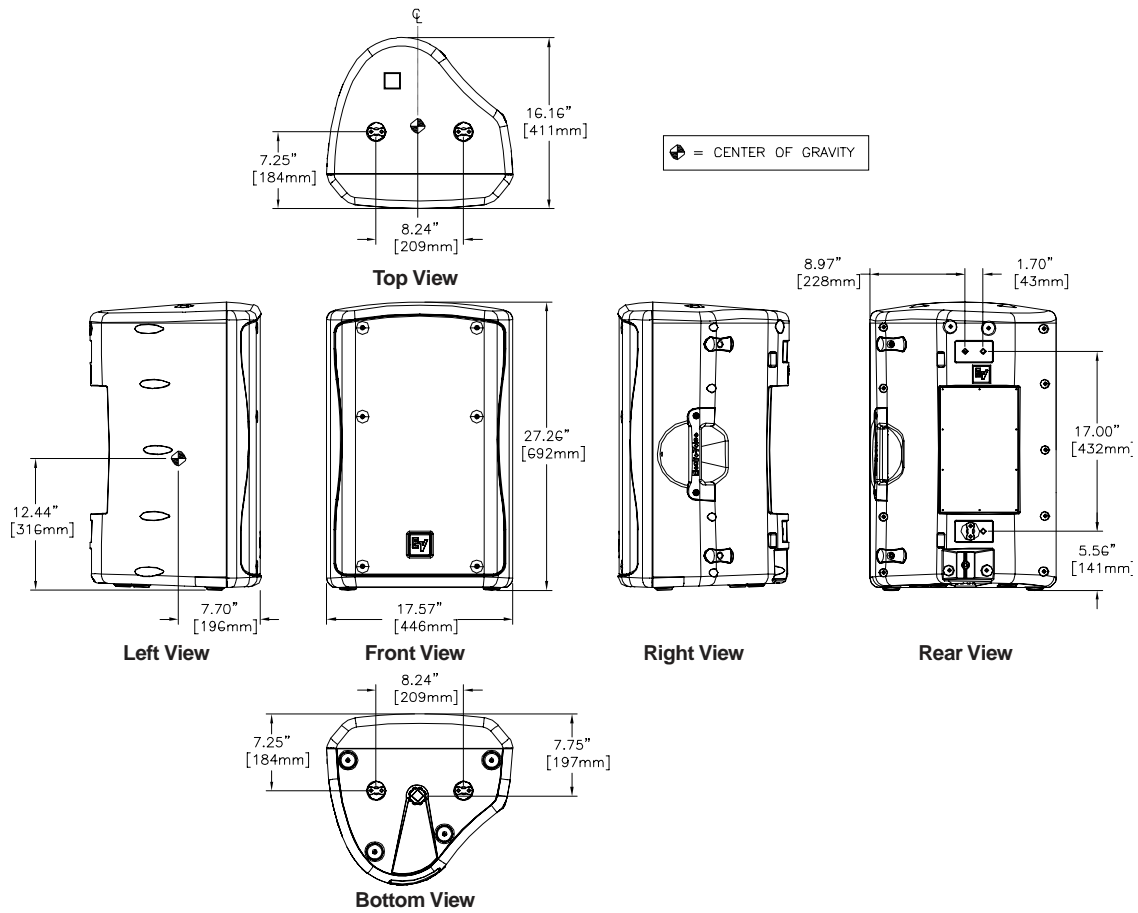
---

Freq. Response <sup>1</sup> (-3 dB):	58Hz – 18kHz
Freq. Range <sup>1</sup> (-10dB):	50Hz – 20kHz
Max Calculated SPL:	133 dB
Horizontal Coverage:	90° or 60°
Vertical Coverage:	50° or 60°
LF Amplifier Power:	1000W RMS
HF Amplifier Power:	250W RMS
LF Transducer:	DVX3150, 15in (300mm) Driver
HF Transducer:	ND2-16, 1in. (25.4mm) exit Neodymium Compression Driver
Crossover Frequency:	1.5 kHz
Input Connector:	XLR and 1/4" TRS Combination
Output Connector:	XLR
Power Requirement:	120 VAC, 50-60 Hz, or 230 VAC, 50-60 Hz
Enclosure Material:	Polypropylene Structural Foam
Suspension:	Enclosure has locations for 5 Single- Stud Attachment Plates and 10 Forged Steel Eyebolts – 2 on Top, 2 on Bottom, 2 on Side, and 4 on Rear of Enclosure
Grille:	Polyester Powder Coated, 16GA Galvanized Steel
Dim (H x W x D):	27.26" x 17.57" x 16.16" (692mm x 446mm x 411mm)
Net Weight:	50.5 lbs (22.9 kg)
Shipping Weight:	58.9 lbs (26.7 kg)

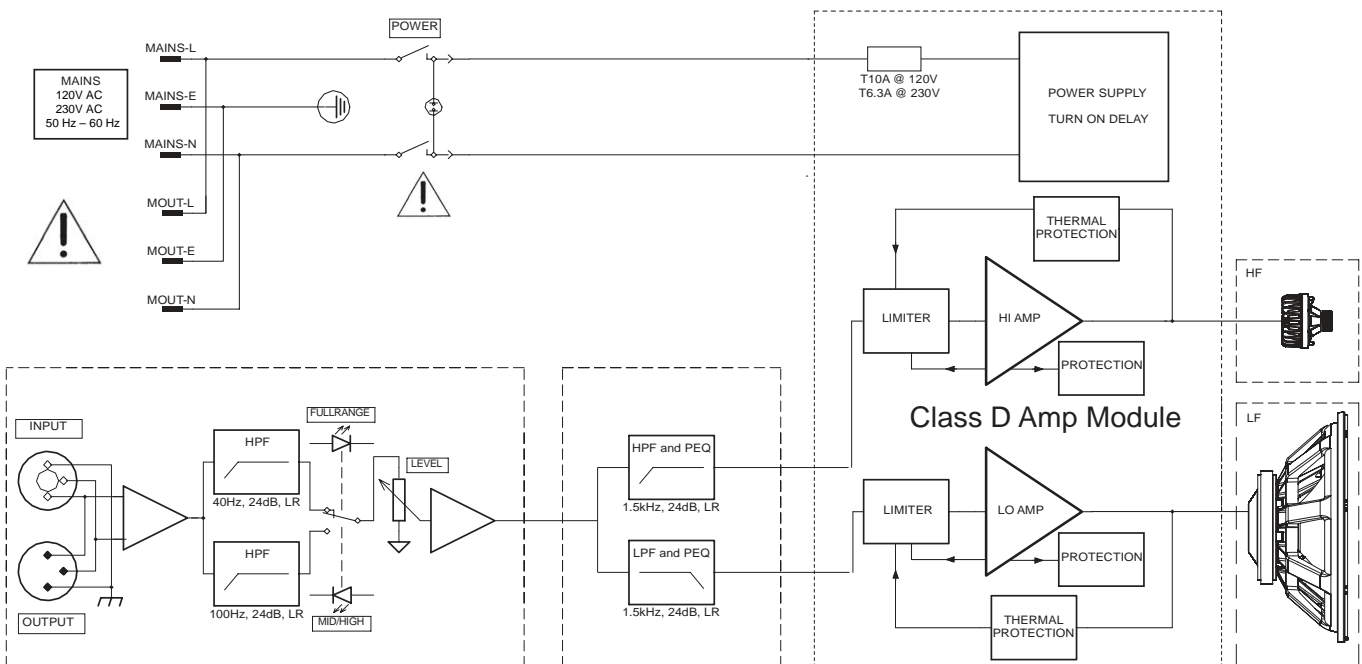
<sup>1</sup>Half Space measurement

# ZXA5

## Dimensions



## Block Diagram

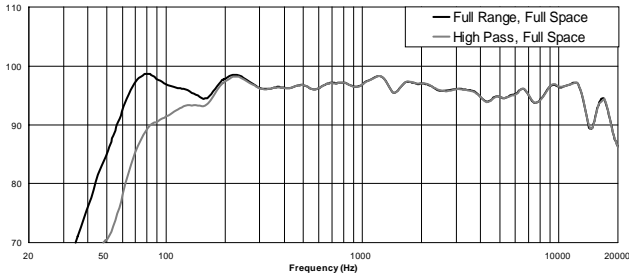




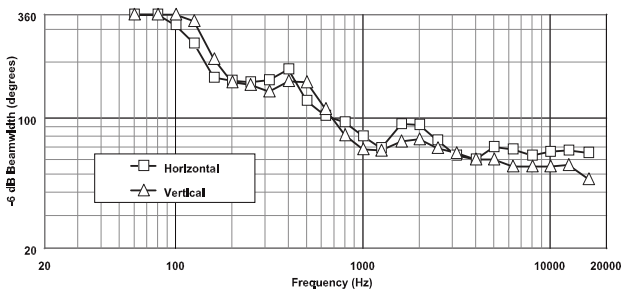
# Frequency Response, Beamwidth and Directivity

## ZxA5-60, 60° x 60° Coverage

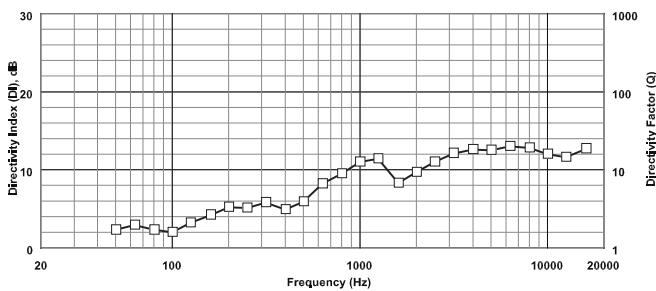
### Frequency Response:



### Beamwidth:

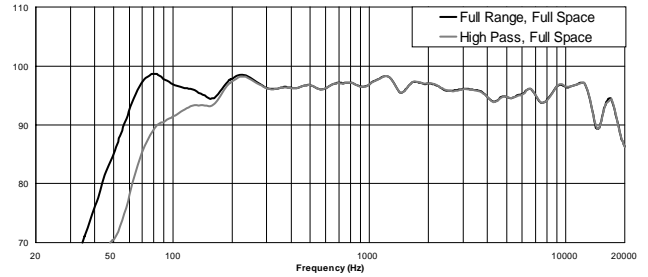


### Directivity:

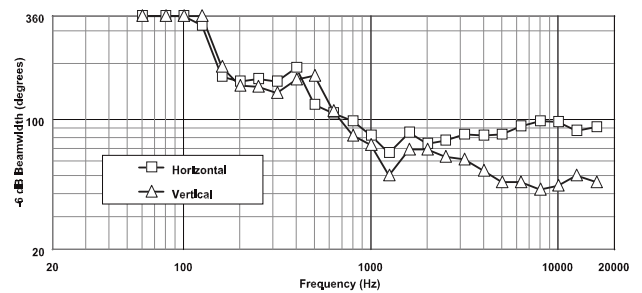


## ZxA5-90, 90° x 50° Coverage

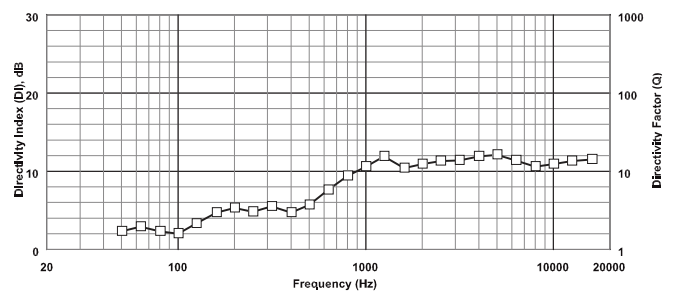
### Frequency Response:



### Beamwidth:



### Directivity:



# ZXA5

## ZxA5 Rigging Accessory Reference Table

Model	Description	Part No.
CB5-B	Array Bracket Kit, Black Finish	301625-001
CB5-W	Array Bracket Kit, White Finish	301625-002
MB5-B	Wall/Ceiling Mounting Bracket Kit, Black Finish	301626-001
MB5-W	Wall/Ceiling Mounting Bracket Kit, White Finish	301626-002
SSK-1	Single-Stud Rigging Kit (Set of 3)	301633-000
EBK-3	Forged M8 Eyebolt Kit (Set of 3)	301634-000
RK-Z	Single-Stud Anchor Plate Kit (Set of 3)	301812-000
TMK-ZX	Truss Mount Kit, Includes VSA-1, TCA-1, and HA-5 (Black)	KIT000007-001
HDC-5	Heavy-Duty Stackable Cover, Black	301813-001
HA-5	Handle adaptor for use with VSA-1	301811-001
VSA-1	Vertical Strong Arm	ACC000007-001
TCA-1	Trussclamp adaptor for VSA-1	ACC000012-001

## FCC Information

### FCC INFORMATION (USA)

1. **IMPORTANT:** Do not modify this unit! Changes or modifications not expressly approved by the manufacturer could void the user's authority, granted by the FCC, to operate the equipment.
2. **NOTE:** This equipment has been tested and found to comply with the limits for a Class A digital device, pursuant to Part 15 of the FCC Rules. These limits are designed to provide reasonable protection against harmful interference in a residential installation. This equipment generates, uses and can radiate radio frequency energy and, if not installed and used in accordance with the instructions, may cause harmful interference to radio communications. However, there is no guarantee that interference will not occur in a particular installation. If this equipment does cause harmful interference to radio or television reception, which can be determined by turning the equipment off and on, the user is encouraged to try to correct the interference by one or more of the following measures:
  - Reorient or relocate the receiving antenna.
  - Increase the separation between the equipment and receiver.
  - Connect the equipment into an outlet on a circuit different from that to which the receiver is connected.
  - Consult the dealer or an experienced radio/TV technician for help.



# Painting ZxA5 Speaker Systems

## Painting a ZxA5 Enclosure

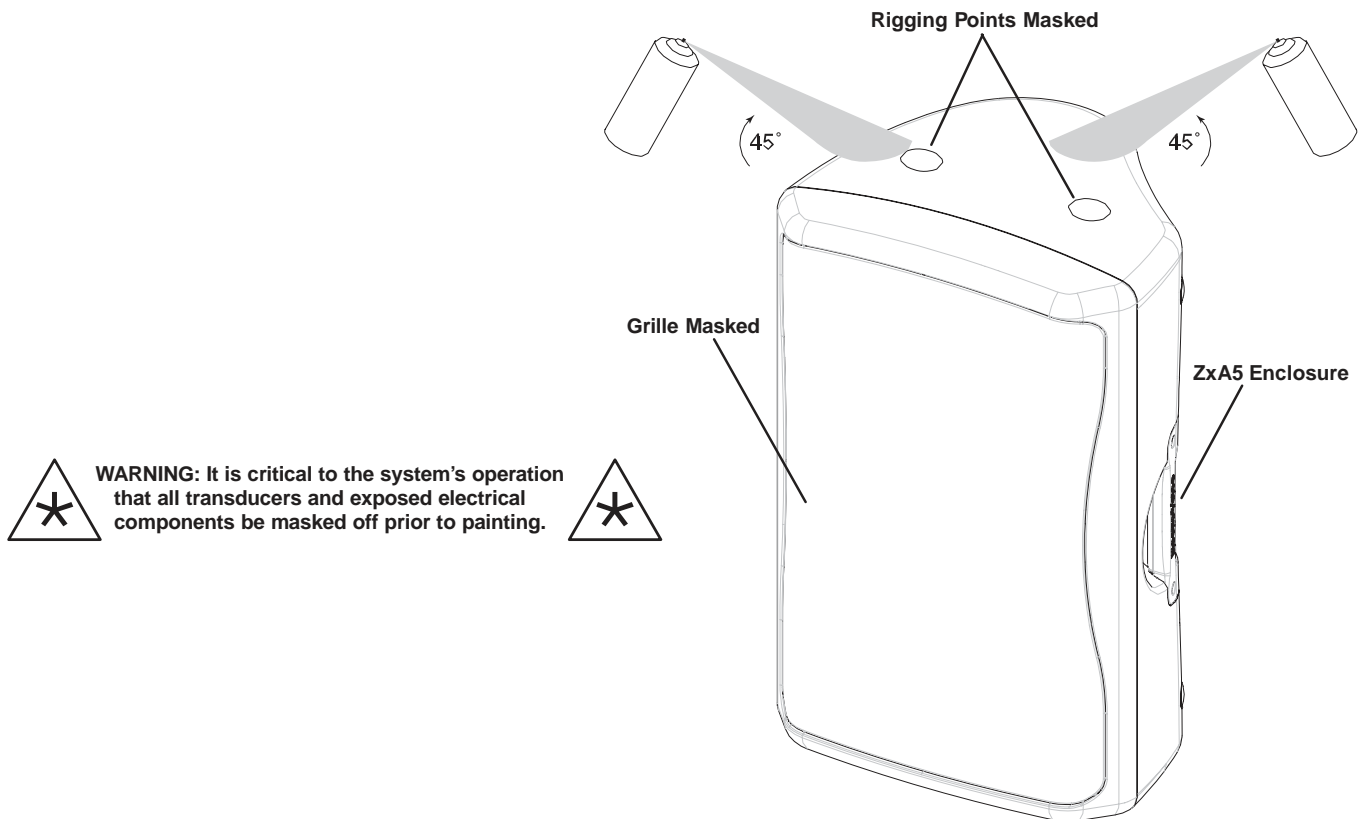
The ZxA5 Loudspeaker Enclosures are made of a high performance Polypropylene material. For best paint adhesion, we recommend a "Plastic Adhesion Promoter" be applied before any paint. Sherwin Williams Plastic Adhesion Promoter UP07226 is a good example (See Telex document number LIT000066-000 for further details.) Once Plastic Adhesion Promoter is applied follow the manufacturer's painting directions as you would normally.

## Painting a ZxA5 Grille

Remove grille from loudspeaker and remove the backing material & logo from grille prior to painting. Once the paint is dry, reapply the backing material and logo to the grille. Spray adhesive such as 3M Super 77 may help adhere the backing material to the grille.

## Additional Precautions to be Taken

Prior to painting, be sure to take precautions not to get paint into the transducers. This can be done by masking the grille, temporarily removing the grille and masking the transducers, or by temporarily removing the grille and temporarily removing the transducers. Precautions must also be taken not to get paint into any exposed electrical components by masking them off prior to painting. It is also recommended that any exposed rigging points, warning labels, or instruction labels be masked off for ease of future operation.



**Painting View:**  
*Painting the ZxA5 Enclosure*





# ZXA5

## ZxA5 Series Bedienungsanleitung



ZxA5-60  
ZxA5-90



## Wichtige Sicherheitshinweise



Das Blitzsymbol innerhalb eines gleichseitigen Dreiecks soll den Benutzer vor dem Vorhandensein von nicht isolierten "gefährlichen Spannungen" warnen, die innerhalb des Gehäuses auftreten und hinreichend groß sein können, um zu einer Gefahr des elektrischen Schlages für Personen zu werden.



Das Ausrufezeichen innerhalb eines gleichseitigen Dreiecks soll den Benutzer auf das Vorhandensein von wichtigen Bedienungs- und Wartungs-Anweisungen in diesem Geräte-Handbuch aufmerksam machen.



Das Sternchen innerhalb eines gleichseitigen Dreiecks soll den Benutzer auf das Vorhandensein von nützlichen Installations-Hinweisen bzw. Hinweisen zur Entfernung von Geräteteilen oder anderer Hardware bezüglich des Systems aufmerksam machen.

**WARNING:** TO REDUCE THE RISK OF FIRE OR ELECTRIC SHOCK, DO NOT EXPOSE THIS APPLIANCE TO RAIN OR MOISTURE.  
**AVIS:** RISQUÉ DE CHOC ELECTRIQUE. NE PAS OUVRIR.

**WARNING:** CONNECT ONLY TO MAINS SOCKET WITH PROTECTIVE EARTHING CONNECTION.

1. Lesen Sie diese Hinweise.
2. Heben Sie diese Hinweise auf.
3. Beachten Sie alle Warnungen.
4. Richten Sie sich nach den Anweisungen.
5. Betreiben Sie das Gerät nicht in unmittelbarer Nähe von Wasser.
6. Verwenden Sie zum Reinigen des Gerätes ausschließlich ein trockenes Tuch.
7. Verdecken Sie keine Lüftungsschlitze. Beachten Sie bei der Installation des Gerätes stets die entsprechenden Hinweise des Herstellers.
8. Vermeiden Sie die Installation des Gerätes in der Nähe von Heizkörpern, Wärmespeichern, Öfen oder anderer Wärmequellen.
9. Achtung: Gerät nur an Netzsteckdose mit Schutzleiteranschluss betreiben. Setzen Sie die Funktion des Schutzleiteranschlusses des mitgelieferten Netzanschlusskabels nicht außer Kraft. Sollte der Stecker des mitgelieferten Kabels nicht in Ihre Netzsteckdose passen, setzen Sie sich mit Ihrem Elektriker in Verbindung.
10. Sorgen Sie dafür, dass das Netzkabel nicht betreten wird. Schützen Sie das Netzkabel vor Quetschungen insbesondere am Gerätestecker und am Netzstecker.
11. Verwenden Sie mit dem Gerät ausschließlich Zubehör/Erweiterungen, die vom Hersteller hierzu vorgesehen sind.
12. Ziehen Sie bei Blitzschlaggefahr oder bei längerem Nichtgebrauch den Netzstecker.
13. Überlassen Sie sämtliche Servicearbeiten und Reparaturen einem ausgebildeten Kundendiensttechniker. Servicearbeiten sind notwendig, sobald das Gerät auf irgendeine Weise beschädigt wurde, wie z.B. eine Beschädigung des Netzkabels oder des Netzsteckers, wenn eine Flüssigkeit in das Gerät geschüttet wurde oder ein Gegenstand in das Gerät gefallen ist, wenn das Gerät Regen oder Feuchtigkeit ausgesetzt wurde, oder wenn es nicht normal arbeitet oder fallengelassen wurde.
14. Stellen Sie bitte sicher, dass kein Tropf- oder Spritzwasser ins Geräteinnere eindringen kann. Stellen Sie keine mit Flüssigkeiten gefüllten Objekte, wie Vasen oder Trinkgefäße, auf das Gerät.
15. Um das Gerät komplett spannungsfrei zu schalten, muss der Netzstecker gezogen werden.
16. Beim Einbau des Gerätes ist zu beachten, dass der Netzstecker leicht zugänglich bleibt.

**Vorsicht: Überschreiten Sie nicht die angegebenen Grenzwerte des Wechselstromanschlusses.**

**Beispiel: Wenn jedes zusätzliche Gerät mit 3A angegeben ist, können für einen erlaubten Gesamtstrom von 10A nur maximal 3 Gräte (9A) angesteckt werden.**



Entsorgung von gebrauchten elektrischen und elektronischen Geräten (Anzuwenden in den Ländern der Europäischen Union und anderen europäischen Ländern mit einem separaten Sammelsystem für diese Geräte) Das Symbol auf dem Produkt oder seiner Verpackung weist darauf hin, dass dieses Produkt nicht als normaler Haushaltsabfall zu behandeln ist, sondern bei einem Telex Händler abgegeben werden muss.

## Wichtige Service-Anweisungen

**VORSICHT:** Diese Service-Anweisungen sind nur für qualifiziertes Personal gedacht. Um die Gefahr des elektrischen Schlages zu vermeiden, führen Sie keine anderen Instandhaltungen durch als diejenigen, die in der Bedienungsanleitung enthalten sind, es sei denn Sie sind dazu qualifiziert. Überlassen Sie jegliche Reparaturarbeiten qualifiziertem Service-Personal.

1. Bei Reparaturarbeiten im Gerät sind die Sicherheitsbestimmungen nach EN 60065 (VDE 0860) einzuhalten.
2. Bei allen Arbeiten, bei denen das geöffnete Gerät mit Netzspannung verbunden ist und betrieben wird, ist ein Netz trenntransformator zu verwenden.
3. Vor einem Umbau mit Nachrüstsets, Umschaltung der Netzspannung oder sonstigen Modifikationen ist das Gerät stromlos zu schalten.
4. Die Mindestabstände zwischen netzspannungsführenden Teilen und berührbaren Metallteilen (Metallgehäuse) bzw. zwischen den Netzpolen betragen 3 mm und sind unbedingt einzuhalten.  
Die Mindestabstände zwischen netzspannungsführenden Teilen und Schaltungsteilen, die nicht mit dem Netz verbunden sind (sekundär), betragen 6 mm und sind unbedingt einzuhalten.
5. Spezielle Bauteile, die im Stromlaufplan mit dem Sicherheitssymbol gekennzeichnet sind (Note), dürfen nur durch Originalteile ersetzt werden.
6. Eigenmächtige Schaltungsänderungen dürfen nicht vorgenommen werden.
7. Die am Reparaturort gültigen Schutzbestimmungen der Berufsgenossenschaften sind einzuhalten. Hierzu gehört auch die Beschaffenheit des Arbeitsplatzes.
8. Die Vorschriften im Umgang mit MOS - Bauteilen sind zu beachten.

Note:  SAFETY COMPONENT (HAS TO BE REPLACED WITH ORIGINAL PART ONLY)



# Inhaltsverzeichnis

---

Wichtige Sicherheitshinweise.....	1
ZxA5 Serie Bedienungsanleitung .....	2
Safety First .....	3
Beschreibung .....	4
Systemeigenschaften - ZxA5.....	4
System Abstrahlbereich - ZxA5 .....	4
Systemaufstellung - ZxA5 .....	5
ZxA5 Verstärkerteil.....	5
Aufhängung von ZxA5 Lautsprechersystemen .....	7
ZxA5 Bühnen -Monitor-Positionen.....	13
Technische Daten .....	14
Abmessungen.....	15
Blockschaltbild .....	15
Frequenzgang und Abstrahlcharakteristik.....	16
ZxA5 Rigging Zubehör Referenztabelle.....	17
Lackieren des ZxA5 Lautsprecher- Systems.....	18

## ZxA5 Series Bedienungsanleitung

---

Wir bedanken uns für den Kauf des Electro-Voice-Lautsprechersystems ZxA 5 Series. Dieses System stellt die Spitze einer kontinuierlichen Entwicklung über 75 Jahre Erfahrung von EV im Schallwandlerdesign dar. Nehmen Sie sich bitte die Zeit, dieses Handbuch durchzulesen, sodass Sie alle in Ihrem EV System enthaltenen Möglichkeiten verstehen und optimalen Nutzen aus all seinen Anwendungsmöglichkeiten ziehen können.

# ZXA5

## Safety First

---

Wenn Sie das Electro-Voice ZxA 5 Lautsprechersystem aufstellen, installieren und anwenden, gibt es eine Anzahl von Vorsichtsmaßnahmen, die Sie befolgen sollten:

Sollen die Electro-Voice-Lautsprecher ZxA 5 für portable Anwendungszwecke eingesetzt werden, bei denen Sie direkt auf dem Boden stehen, achten Sie darauf, dass der Fußboden oder die Bühne fest und sicher ist.

Die Lautsprecher Electro-Voice ZxA 5 besitzen einen 1-<sup>3</sup>/<sub>8</sub> " Befestigungsflansch, der für ein Dreibeinstativ verwendet werden kann.

### **Stellen Sie Folgendes sicher:**

Überprüfen Sie die technischen Daten des Lautsprecherstativs, um sicher zu stellen, dass es auch das Gewicht des Lautsprechers sicher tragen kann.

Überprüfen Sie, ob das Lautsprecherstativ auf einer flachen, stabilen Oberfläche steht und auch alle Ausleger des Stativs fest am Boden stehen. Versuchen Sie nicht das Lautsprecherstativ "höher" zu machen und gehen Sie bei der Belastungsfähigkeit keine Kompromisse ein.

Verlegen Sie die Anschlusskabel geeignet und positionieren Sie das Lautsprecherstativ so, dass Künstler, die Produktionscrew und auch Zuhörer nicht über das Stativ oder die Kabel fallen und das Lautsprechersystem dadurch evtl. umkippt. Sichern Sie die Anschlusskabel nach Möglichkeit mit Klebeband.

Versuchen Sie nicht mehr als einen Lautsprecher auf ein Stativ zu setzen, das nur für einen Einzellautsprecher gedacht war.

Sind Sie nicht ganz sicher, mit dem gewichtigen Lautsprecher auf dem Stativ sicher umgehen zu können, bitten Sie eine weitere Person Ihnen zu helfen.

Beabsichtigen Sie das ZxA 5 System aufzuhängen oder zu "fliegen", so ist das auf sichere Weise nur mit der korrekten Hardware und Zubehörteilen möglich.



**Warnung:** Die Aufhängung von jeglichen Objekten ist möglicherweise gefährlich und sollte nur von Personen ausgeführt werden, die über gründliches Wissen in diesen Techniken verfügen und die die Vorschriften von aufgehängten Lasten über Publikum kennen. Electro-Voice empfiehlt dringend, dass bei aufgehängten ZxA5 Lautsprechern die aktuellen lokalen und nationalen Bestimmungen eingehalten werden. Es liegt in der Verantwortung des Installateurs sicherzustellen, dass die Aufhängung bzw. Befestigung der ZxA5 Lautsprecher sicher in Übereinstimmung mit allen Regelungen und Vorschriften ausgeführt werden. Werden die ZxA5 Lautsprecher bei Festinstallationen über einen längeren Zeitraum aufgehängt, empfiehlt Electro-Voice dringend, dass das System mindestens einmal im Jahr überprüft wird. Wird irgendein Anzeichen von Schwächung oder Beschädigung festgestellt, sollten sofort Gegenmaßnahmen eingeleitet werden. Verfügbar sind Datenblätter für jede EV Aufhängung und alle Rüstsätze; diese sollten vor der Aufhängung von Lautsprechern zu Rate gezogen werden.



- Electro-Voice empfiehlt nicht die Anwendung von ZxA5 Lautsprechern im Außenbereich ohne entsprechenden Schutz vor Regen oder in Umgebungen mit hoher Feuchtigkeit.



- Die Electro-Voice-Lautsprecher ZxA5 können Schalldruckpegel erzeugen, die innerhalb des normalen Hörabstandes durchaus Gehörschädigungen hervorrufen können. Sind Sie also bei der Einwirkung von Schalldruckpegeln die über längere Zeit über 90 dB hinausgehen vorsichtig.

## Beschreibung

Die Hochleistungslautsprecher Electro-Voice ZxA5 stellen ein komplett integriertes Audiosystem mit sorgfältig aufeinander abgestimmter Elektronik und Wandlerkomponenten dar. Diese Produkte vereinfachen die schnelle Aufstellung eines hochqualitativen Soundsystems mit einem Minimum an Verbindungskabeln und externer Elektronik. Sie werden auf dem Markt kein anderes Lautsprechersystem finden, das diesen unglaublichen Sound und Flexibilität bei gleichzeitig hoher Ausgangsleistung mit vergleichbarer Größe und Gewicht wie die ZxA5 bietet.

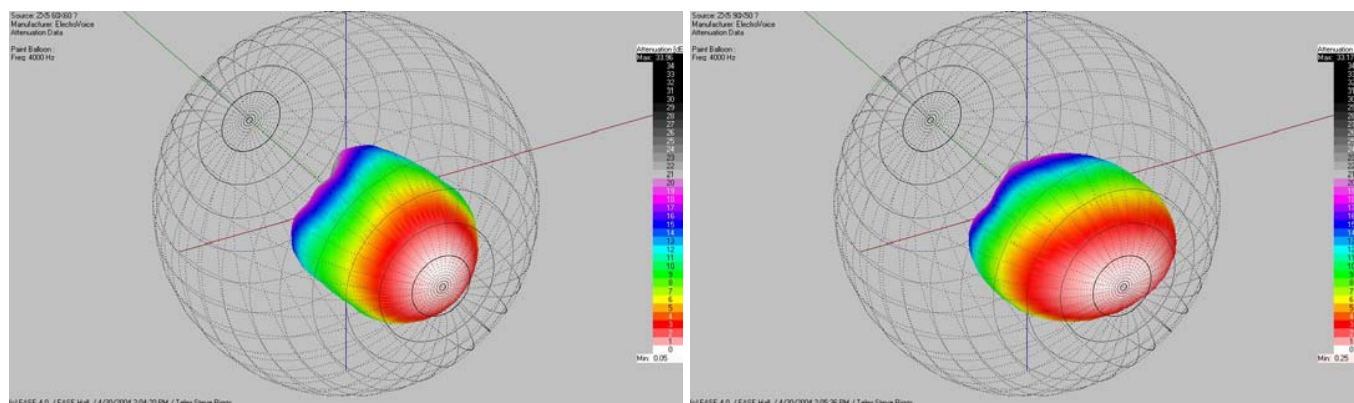
## Systemeigenschaften - ZxA5

- Integrierter Verstärker mit 1000W Tiefton, 250W Hochton
- Zuschaltbarer 100 Hz Hochpass
- XLR und 1/4" TRS Eingangsbuchsen
- XLR Ausgangsbuchse
- PowerCon Netzstecker mit Durchschleifbuchse
- DVX3150 15" Tieftöner mit Luftkühlung
- ND2 2" Schwingspule, Neodym-Kompressions-Treiber mit 1" Öffnung
- Zwei Modelle: 60° x 60° oder 90° x 50° Coverage Pattern
- Hohe Empfindlichkeit, 133 dB Maximum SPL
- Einstellbarer Monitor-Winkel (45° oder 55°)
- 3 Anker-Platten für Single-Stud Fittings (Einbolzen-Befestigung) sowie 10 integrierte Aufhängungspunkte
- Umfangreiches Zubehörprogramm

## System Abstrahlbereich - ZxA5

### Abstrahlbereich und Anwendungen

ZxA5-60      60° x 60° Abstrahlung für Long-throw und Clusteranwendungen (Gruppen)  
 ZxA5-90      90° x 50° für breite Abstrahlung bzw. kürzere Distanzen



**Abbildung 1a:**  
 3D EASE Richtkeule,  
 ZxA5-60, 60° x 60° Abstrahlung

**Abbildung 1b:**  
 3D EASE Richtkeule,  
 ZxA5-90, 90° x 50° Abstrahlung



# ZXA5

## Systemaufstellung - ZxA5

Um das Lautsprechersystem ZxA5 schnellstmöglich in Betrieb zu nehmen, gehen Sie nach folgenden Schritten und unter Einhaltung der genannten Vorsichtsmaßnahmen vor:

- Stecken Sie das dreiadrige PowerCon AC Kabel in eine geerdete Netzsteckdose.

Verlängerungsleitungen können verwendet werden, wenn eine längere Strecke bis zur nächsten Steckdose zu überbrücken ist. Überprüfen Sie aber ob die Leitung dreiadrig ist und einen genügend großen Querschnitt besitzt, um sicher zu stellen, dass durch die richtige Erdung keine Gefahr eines elektrischen Schlages besteht und auch genügend Störstrahlunterdrückung vorhanden ist.

- Stellen Sie sicher, dass das Lautsprechersystem ZxA5 an eine Netzsteckdose mit korrekter Spannung angesteckt ist. Fällt die Netzspannung zu sehr ab, können die eingebauten Verstärker ihre angegebenen Nennleistungen nicht erreichen und die Soundqualität wird darunter leiden. Bei Vollaussteuerung benötigen die Endstufen des ZxA5 2 Ampere bei 240 Volt (3 – 4 A bei 120 V). Achten Sie darauf, dass am gleichen elektrischen Stromkreis nicht weitere Geräte eingesteckt sind, die unter Umständen einen zu hohen Strom benötigen und damit elektrische Probleme bzw. schlechte Betriebsergebnisse zur Folge haben.

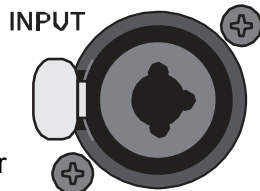


**VORSICHT:** Bevor Sie das Lautsprechersystem einschalten, stellen Sie sicher, dass die Pegelregler zuge dreht sind, um Einschaltgeräusche bzw. einen unerwartet lauten Sound zu verhindern.

## ZxA5 Verstärkerteil

### Eingangsbuchse

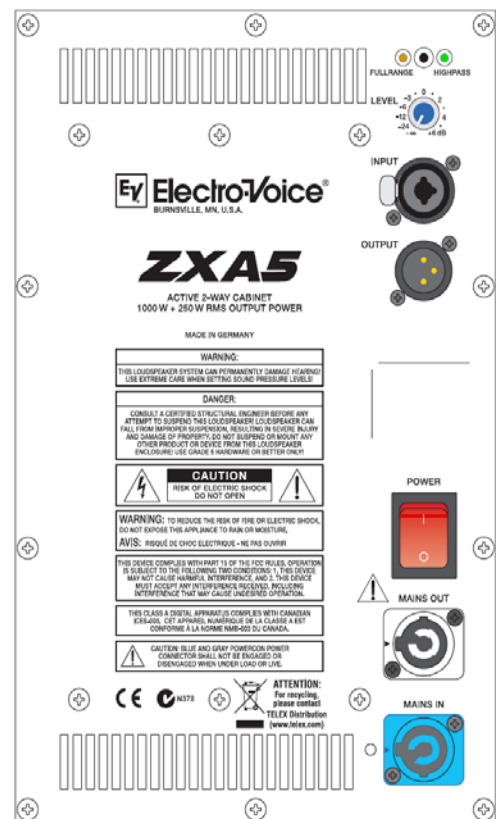
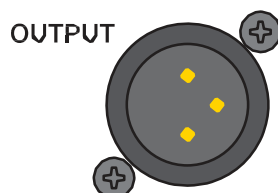
Vorhanden sind elektronisch symmetrische Eingänge für den Anschluss von hochpegeligen Signalquellen, wie zum Beispiel von Mixern, Signalprozessoren usw. Die Verbindung ist möglich über eine Kombinationsbuchse für 6,3 mm Stereo Klinkenstecker (TRS) bzw. XLR Stecker. Symmetrischer Anschluss ist empfehlenswert, um Einstrahlstörungen zu unterdrücken.



**VORSICHT:** Bevor Sie irgendwelche Stecker aus- bzw. einstecken, stellen Sie sicher, dass der Pegelregler zuge dreht ist (ganz nach links), wodurch das System und die Zuhörer vor Kontakt- bzw. Schaltgeräuschen verschont bleiben.

### Ausgangsbuchse

Der Ausgang ist mit voller Bandbreite durchgeschleift



**Abb. 2:**

Verstärker-Anschlussfeld, ZxA5

ELECTRO-VOICE® ZxA5 Bedienungsanleitung



# ZxA5 Verstärkerteil



## Crossover Mode Schalter

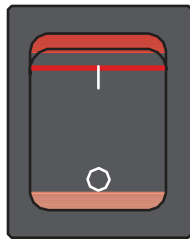
Damit lässt sich wählen zwischen 40 Hz Hochpassfilter für Fullrange-Betrieb bzw. 100 Hz Hochpassfilter für die Anwendung zusammen mit einem Subwoofer. Es wird nicht empfohlen, dass die ZxA5 zusammen mit Subwoofern im Fullrange-Betrieb verwendet wird.



## LEVEL-Regler

Mit diesem Regler lässt sich der Ausgangspegel des ZxA5 in einem Bereich zwischen  $-\infty$  dB und + 6 dB einstellen. Die eingebauten Leistungsendstufen liefern die Nennleistung bei einer nominellen Eingangsempfindlichkeit von + 6 dBu.

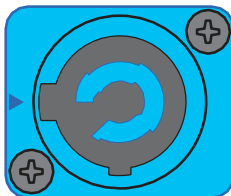
## POWER



## POWER-Schalter

Netzschalter zum Aus- und Einschalten des ZxA5. Nach dem Einschalten leuchtet die Taste auf. Ist dies nicht der Fall, überprüfen Sie, ob das Netzkabel korrekt angesteckt ist. Ist der Netzanschluss in Ordnung und der Schalter leuchtet nach dem Einschalten immer noch nicht auf, wenden Sie sich bitte an Ihren Händler.

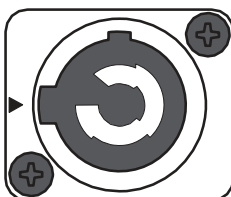
## MAINS IN



## MAINS IN

Der Netzanschluss geschieht über eine PowerCon-Netzbuchse. Ein 5 m langes Netzkabel mit einem PowerCon-Stecker ist mitgeliefert.

## MAINS OUT



## MAINS OUT

An diese Buchse lässt sich ein weiteres ZxA5 System stecken. Achten Sie aber auf die Gesamtstrombelastung des verwendeten Netzstromkreises (max. zwischen 10A und 16A!).



**VORSICHT:** Mains-In und Mains-Out PowerCon-Steckverbinder nicht unter Last oder Spannung ein- und ausstecken.

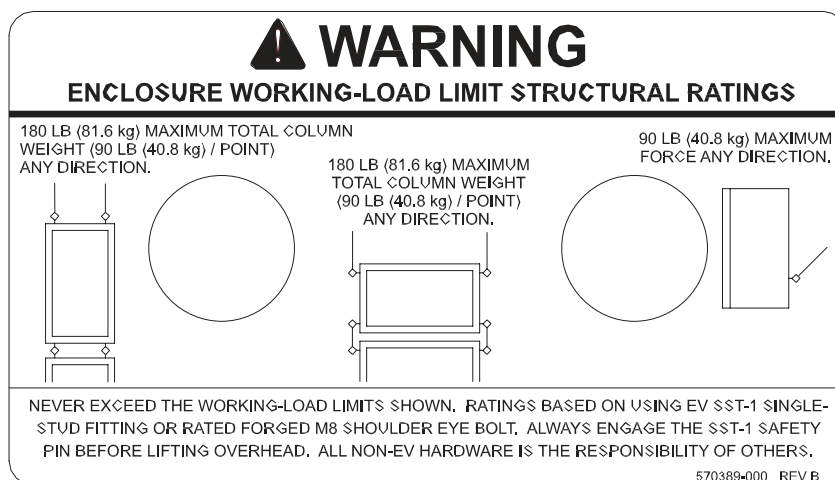


**VORSICHT:** Dieses Gerät besitzt innen keinerlei Teile, die einer Wartung bedürfen. Überlassen Sie jegliche Wartung nur qualifizierten Servicetechnikern.

# ZXA5

## Aufhängung von ZxA5 Lautsprechersystemen

Die Gehäuse der ZxA5 haben fünf Stahlankerpunkte, die innen an der Oberseite, an der Unterseite und an der Rückseite angebracht sind. An diese Ankerplatten lassen sich einzelne Bolzenbefestigungen anbringen und diese als Aufhängungspunkte verwenden. Jede von diesen Ankerplatten hat auch ein M8-Gewinde zur Aufnahme von M8-Ringösen. Zusätzlich zu diesen Punkten sind weitere fünf M8-Gewindebuchsen als Befestigungen vorgesehen: Zwei auf der Handgriffseite und drei auf der Rückseite. Diese Punkte können zur Aufhängung der ZxA5 verwendet werden und zwar vertikal, horizontal, einzeln, in Gruppen oder zur Anbringung der EV-Befestigungsschienen. Die Belastungsgrenzen für die ZxA5 und die Befestigungen sind in der Abb. 3 dargestellt.



**Abb. 3:**  
Arbeitslast-Grenzwerte des ZxA5 Lautsprechersystems.

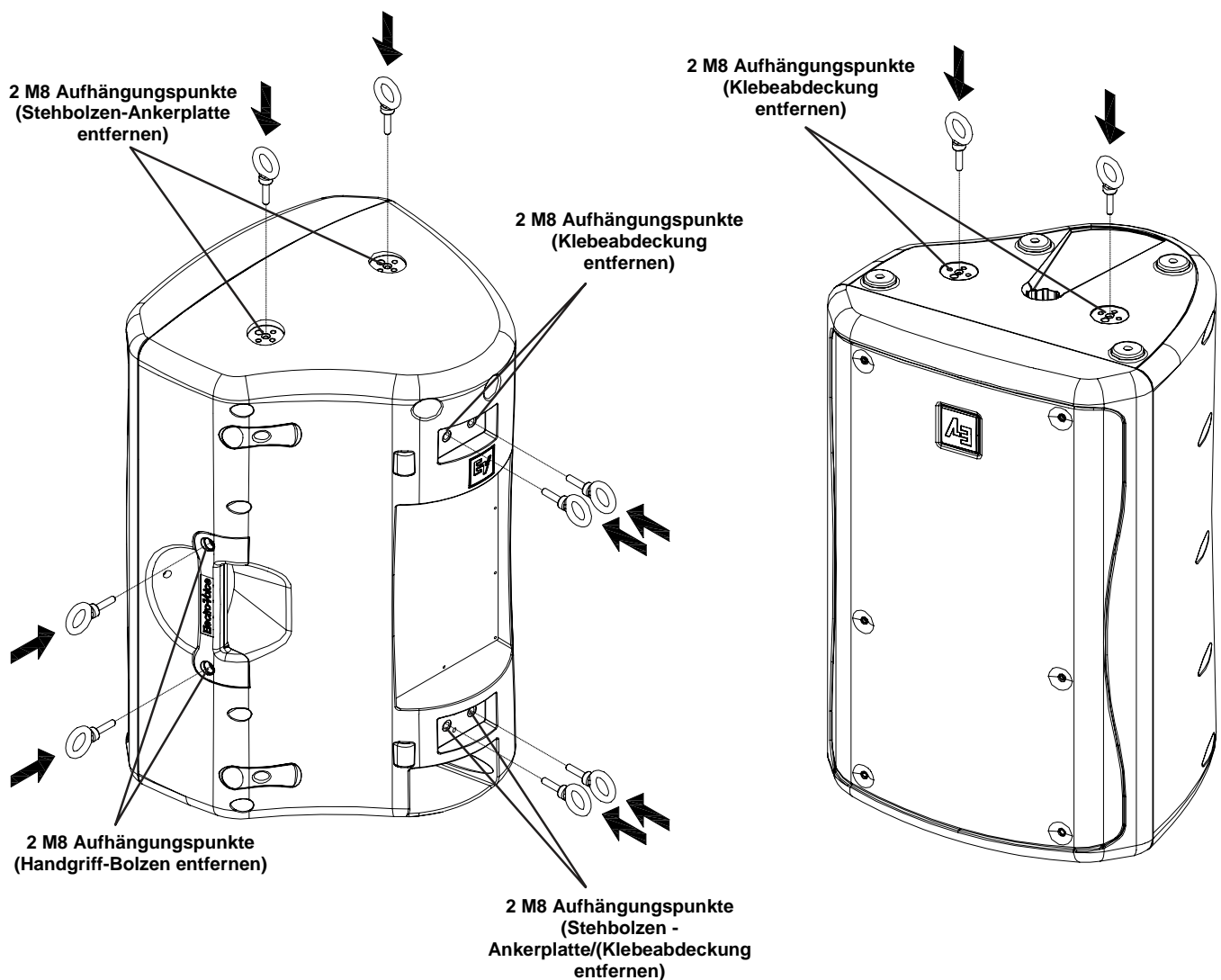
Überprüfen Sie vor jedem Gebrauch die Frontabdeckung oder den (die) Aufhängungspunkt(e) und die dazugehörige Hardware bezüglich irgendwelchen Rissen, Deformationen, gebrochene Schweißnähte, Korrosion und fehlende oder beschädigte Komponenten, welche die Festigkeit der Frontabdeckung oder die Belastung der Aufhängungspunkte verringern könnten. Ersetzen Sie in jedem Fall beschädigte Hardware. Überschreiten Sie niemals die angegebenen Grenzen oder die maximal empfohlenen Lastwerte für die Frontabdeckung bzw. Aufhängungspunkte. Als zusätzliche Sicherheitsmaßnahme wird vorgeschlagen, dass der Benutzer einen zweiten Aufhängungspunkt verwendet. Dieser redundante Sicherungspunkt sollte nach Möglichkeit einen leichten Durchhang haben (1 – 2 cm ist ausreichend).

Prüfen Sie vor jedem Gebrauch die Lautsprechergehäuse auf mögliche Risse, Deformationen und fehlende oder beschädigte Teile, welche die Gehäusefestigkeit verringern könnten. Überprüfen Sie die Haltewinkel auf Risse, Deformationen und fehlende bzw. lockere Schrauben, welche die Festigkeit der Flug-Hardware reduzieren könnten. Ersetzen Sie alle Lautsprechersysteme, die beschädigt sind oder fehlende Hardware aufweisen. Überschreiten Sie niemals die angegebenen Grenzen oder die maximal empfohlenen Lastwerte für die ZxA5 Systeme.

# Aufhängung von ZxA5 Lautsprechersystemen

## M8-Aufhängungspunkte der ZxA5

Auf der Ober- und Unterseite der Gehäuse, rund um den Handgriff und auf der Rückseite des Gehäuses sind insgesamt zehn Punkte für metrische M8-Einsätze vorgesehen. Diese Einsätze können verwendet werden um geschmiedete Ringösen oder Rigging-Schienen anzubringen.



**Abb. 4a:**  
ZxA5 M8 Aufhängungspunkte (Oben, Handgriff, Hinten)

**Abb. 4b:**  
ZxA5 M8 Aufhängungspunkte (Unten)

# ZxA5

## Aufhängung von ZxA5 Lautsprechersystemen

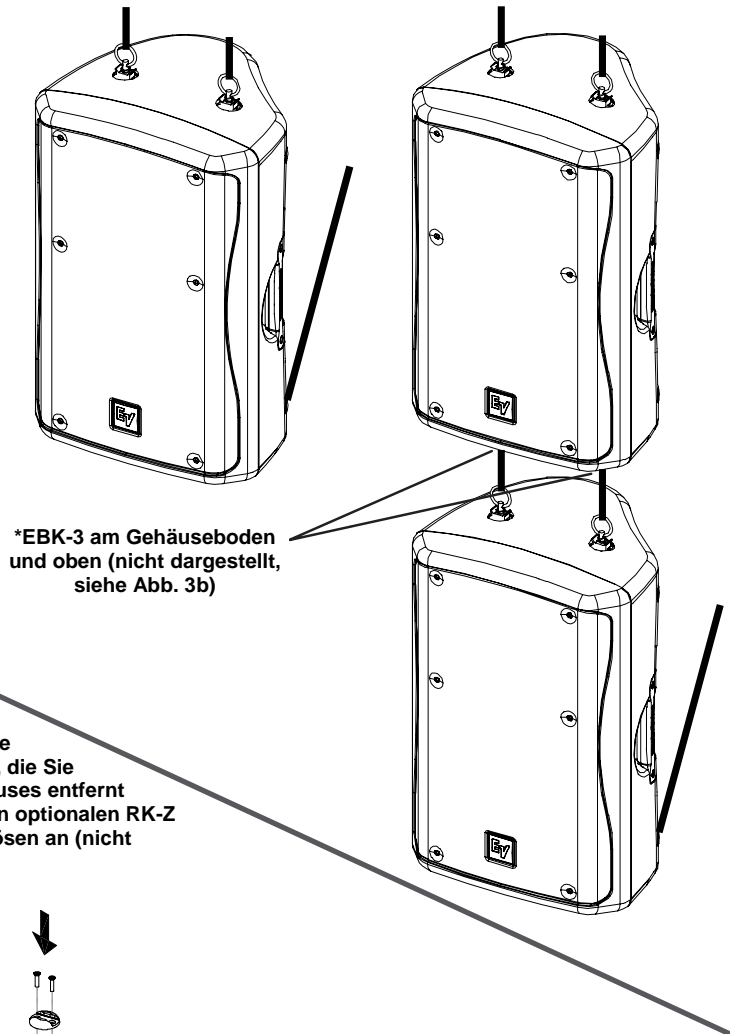
### Aufhängung der ZxA5 unter Verwendung des optional erhältlichen Electro-Voice Single-Stud-Rigging-Kits (Stehbolzen)

Die ZxA5 wird mit drei Stehbolzen-Ankerplatten für die Anbringung von Single-Stud-Rigging-Hardware ausgeliefert. Es gibt zwei weitere Positionen auf der Unterseite, um Stehbolzen-Ankerplatten für das Fliegen der ZxA5 umgedreht bzw. horizontal zu verwenden. All diese Positionen können aber auch mit M8-Ringöschrauben je nach Anforderung versehen werden.

**Abb. 5:**

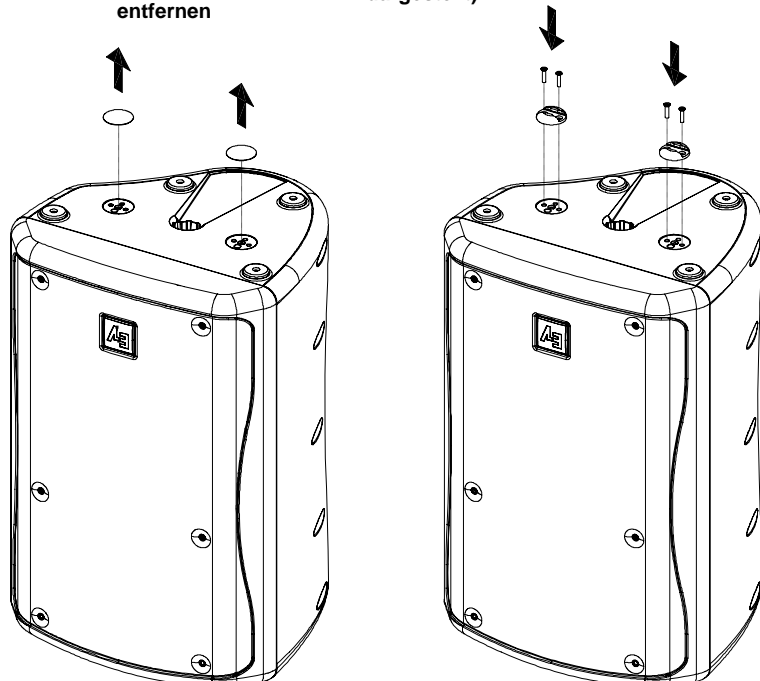
Aufhängung der ZxA5 unter Verwendung der mitgelieferten Stehbolzen-Ankerplatten

- Verwendeter Satz (Ansicht links) –  
SSK-1 Single-Stud Rigging Kit x 1  
Verwendeter Satz (Ansicht rechts) –  
SSK-1 Single-Stud Rigging Kit x 2  
EBK-3 Verstärkter M8 Ringöschensatz x 1



Schritt 1:  
Klebeabdeckungen  
entfernen

Schritt 2: Befestigen Sie die Einzelbolzen-Ankerplatten, die Sie vom oberen Teil des Gehäuses entfernt haben oder bringen Sie den optionalen RK-Z Kit (dargestellt) bzw. Ringösen an (nicht dargestellt)



**Abb. 6:**

Aufhängung der ZxA5 umgedreht unter Verwendung der mitgelieferten Einzelbolzen-Ankerplatten und dem Single-Stud Rigging Kit.

- Verwendeter Satz –  
RK-Z Einzelbolzen-Ankerplatte x 1  
SSK-1 Single-Stud Rigging Kit x 1

# Aufhängung von ZxA5 Lautsprechersystemen

## Horizontale Aufhängung der ZxA5

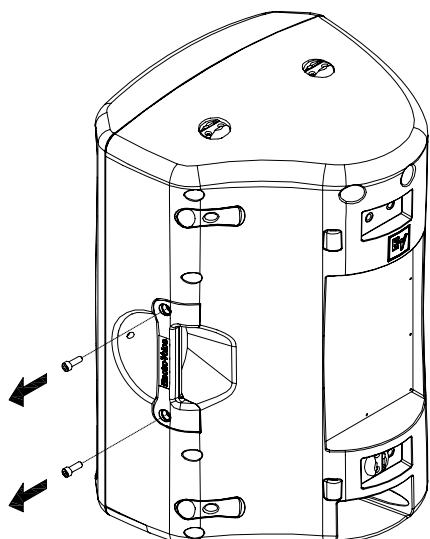
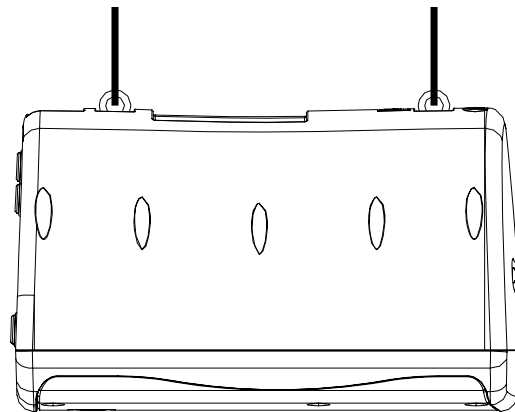
Die ZxA5 lässt sich horizontal von der Seite (Handgriff) oder nach unten gerichtet, von der Rückseite aus, mittels M8 Ringösen aufhängen.

**Abb. 7:**

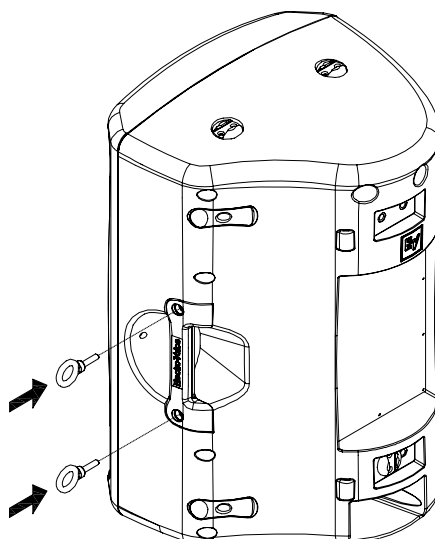
Aufhängung der ZxA5 von der Rückseite aus, nach unten gerichtet, mittels des optional erhältlichen Ringösensatzes\*

Verwendeter Satz – EBK-3 Verstärkter M8 Ringösensatz (x1)

\*Anmerkung: Soll die Box über die rückwärtigen M8-Aufhängungspunkte aufgehängt werden, so ist es empfehlenswert, dass die beiden linken M8-Aufhängungspunkte auf der Rückseite des Gehäuses verwendet werden, um bestmögliche Gewichtsverteilung im Bezug zum Schwerpunkt des Gehäuses zu erhalten.



Schritt 1: Entfernen Sie die Handgriff-Befestigungsbolzen



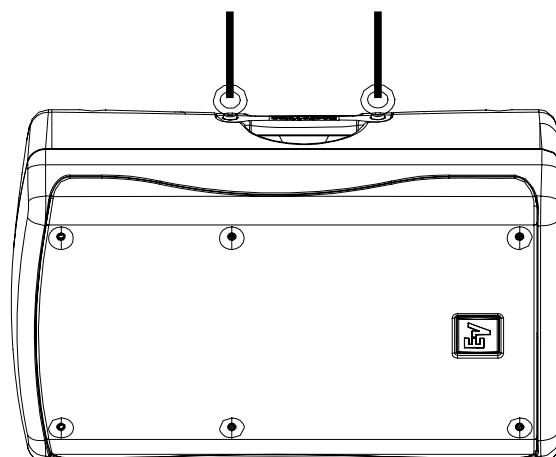
Schritt 2: Schrauben Sie die Ringösen ein

**Abb. 8:**  
Anbringung der Ringöschrauben am Handgriff zur horizontalen Aufhängung

**Abb. 9:**

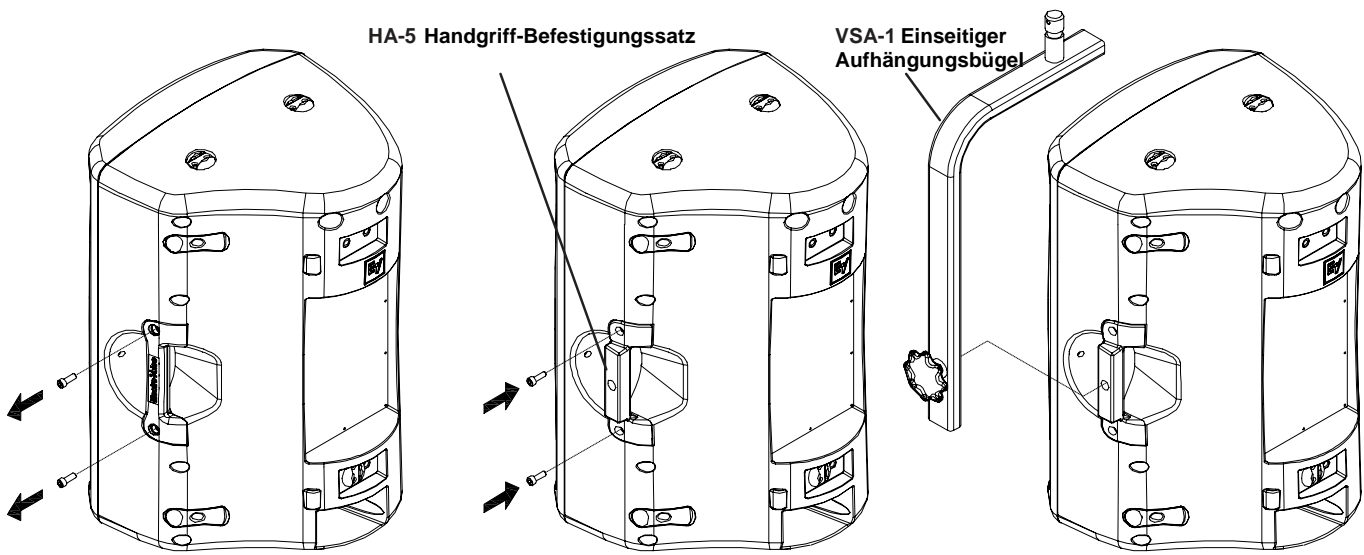
Horizontale Aufhängung der ZxA5 vom Handgriff aus unter Verwendung des optional erhältlichen Ringösensatzes

Verwendeter Satz – EBK-3 Verstärkter M8 Ringösensatz (x1)



# ZxA5

## Aufhängung von ZxA5 Lautsprechersystemen



Schritt 1: Entfernen Sie die Handgriff-Bolzen und den Handgriff

Schritt 2: Bringen Sie den HA-5 mit den Handgriffbolzen an

Schritt 3: Befestigen Sie den einseitigen Aufhängungsbügel VSA-1

### Abb. 10:

Einbau des HA-5 Adapters für den einseitigen Aufhängungsbügel VSA-1

Verwendeter Satz –

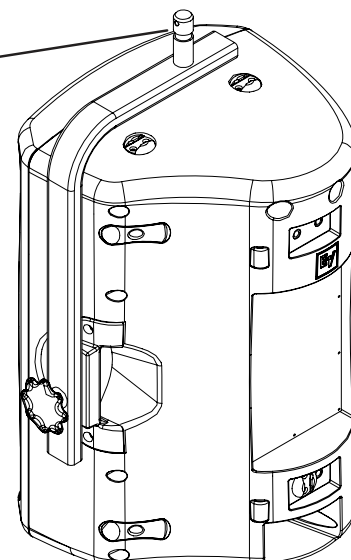
HA-5 Handgriff-Adaptersatz (x1)

VSA-1 Aufhängungsbügel (x1)

### Zusammenfügung zu einem Array und Aufhängung der ZxA5 unter Verwendung des optionalen Electro-Voice Befestigungs- bzw. Array-Bügels.

Die Abbildungen 11 und 12 zeigen einige Anwendungen, die mit den EV-Montage- und Array-Bügeln möglich sind. Gehen Sie sorgfältig nach den Anweisungen in diesem Handbuch vor und beachten Sie auch die Anleitungen, die den EV-Bügeln beige packt sind. Führen Sie Aufhängungen für die ZxA5 immer nach sicheren Verfahrensweisen durch.

Zapfen zur Befestigung am Beam oder Truss Clamp



### Abb. 11:

Vertikale Aufhängung der ZxA5 vom Handgriff aus unter Verwendung des optional erhältlichen Handgriff-Adapters und einseitigem Aufhängungsbügel

Verwendeter Satz –

HA-5 Handgriff-Adaptersatz (x1)

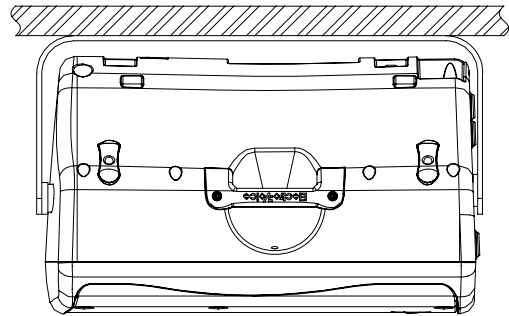
VSA-1 Aufhängungsbügel (x1)

\*Anmerkung – Weitere Informationen hierzu siehe Bedienungsanleitung für den VSA-1

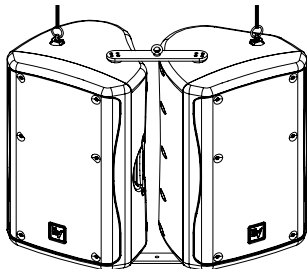
# Aufhängung von ZxA5 Lautsprechersystemen



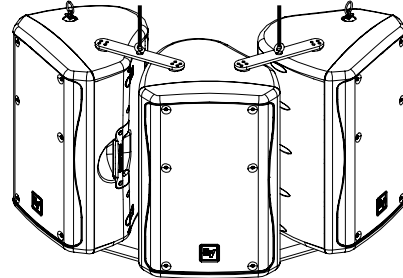
Verwendeter Satz – MB-5 Wand/Decken-Befestigungsbügel (Wandbefestigung)



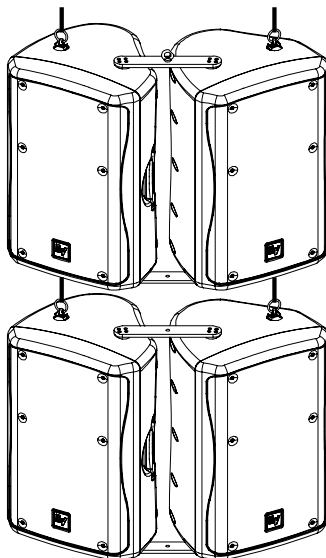
Verwendeter Satz – MB-5 Wand/Decken-Befestigungsbügel (Deckenbefestigung)



Verwendeter Satz – CB5 Gruppenschienensatz (x1)\*  
SSK-1 Single-Stud Rigging Kit (x1)

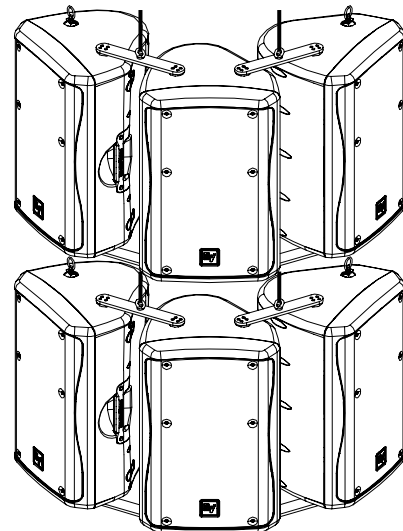


Verwendeter Satz – CB5 Gruppenschienensatz (x2)\*



Verwendeter Satz – CB5 Gruppenschienensatz (x2)\*  
SSK-1 Single-Stud Rigging Kit (x2)  
EBK-3 Verstärkter M8 Ringösensatz (x1)

**ANMERKUNG:**  
 Überschreiten Sie nicht die zulässigen Arbeitslastgrenzen für einzelne Aufhängungspunkte wenn Sie die ZxA5 zu Gruppen zusammenfassen (siehe Abb. 3, Seite 7)



Verwendeter Satz – CB5 Gruppenschienensatz (x4)\*  
EBK-3 Verstärkter M8 Ringösensatz (x1)

\*Anmerkung – Die CB5 Array-Kits können für 60° bzw. 90° Abstrahlwinkel angeordnet werden.

**Abb. 12:**  
Gruppenzusammenfassung zu Arrays und Aufhängung der ZxA5



# ZxA5

## ZxA5 Bühnen-Monitor-Positionen

### ZxA5 als Monitor

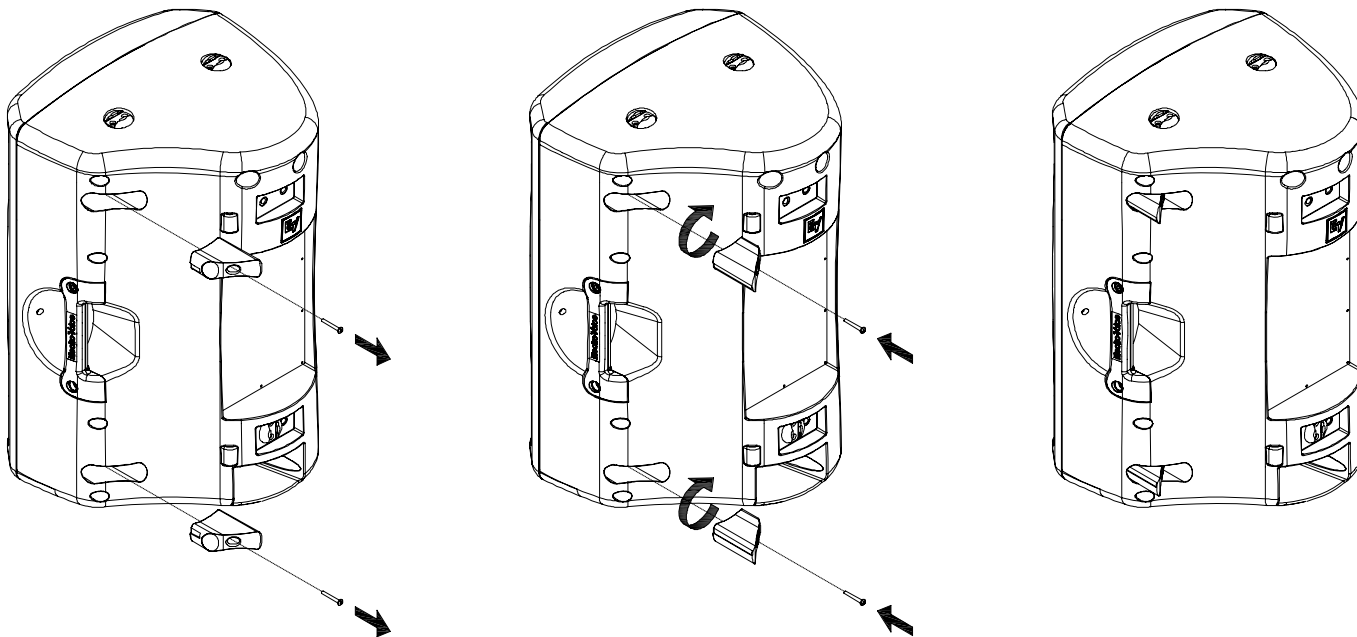
Aufgrund ihres Designs ist die ZxA5 auch eine perfekte Lösung für Bühnen-Monitore. Da auf unterschiedlichen Bühnen oft auch verschiedene Monitorwinkel vonnöten sind, bietet die ZxA5 zwei Aufstellmöglichkeiten mit unterschiedlichen Winkeln ohne zusätzliches Zubehör.



Schritt 1: Entfernen Sie die Monitor-Fußschrauben

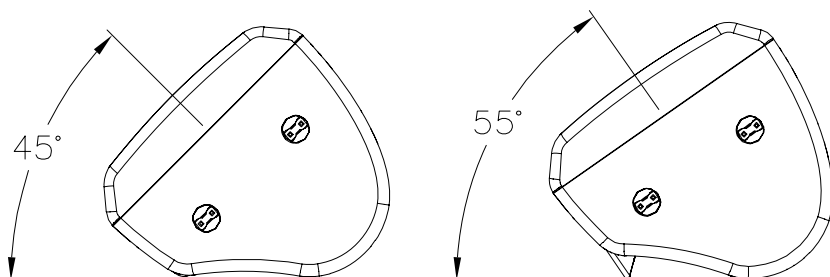
Schritt 2: Drehen Sie die Monitor-Füße um 180°

Schritt 3: Schrauben Sie die Monitor-Füße mit ihren Schrauben wieder fest



**Abb. 13:**

Umstellen der Monitor-Füße von der 45° Position in die 55° Position



**Abb. 14a:**

ZxA5 als Monitor in 45° Position

**Abb. 14b:**

ZxA5 als Monitor in 55° Position



**VORSICHT:** Ist der Aufstellwinkel 55° gewählt, stehen die Füße vom Gehäuse etwas hervor. Lassen Sie deshalb etwas Vorsicht walten, wenn Sie das Gehäuse verschieben, da ansonsten die Füße oder das Gehäuse beschädigt werden könnten, wenn die Box umfällt oder über eine raue Oberfläche geschoben wird. Es ist empfehlenswert die Füße für den Transport in die 45° Position zurückzubringen.



# Technische Daten

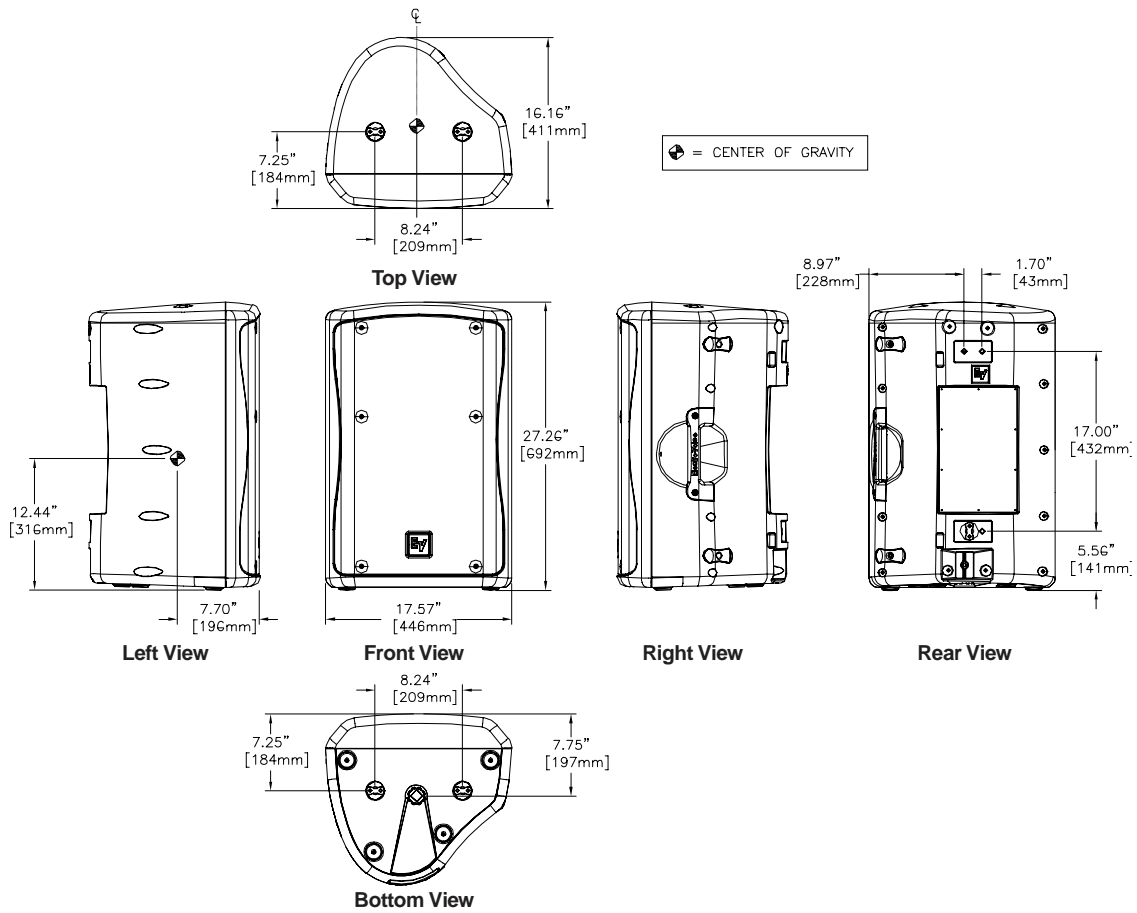
---

Freq. Response <sup>1</sup> (-3 dB):	58Hz – 18kHz
Freq. Range <sup>1</sup> (-10dB):	50Hz – 20kHz
Max Calculated SPL:	133 dB
Horizontal Coverage:	90° or 60°
Vertical Coverage:	50° or 60°
LF Amplifier Power:	1000W RMS
HF Amplifier Power:	250W RMS
LF Transducer:	DVX3150, 15in (300mm) Driver
HF Transducer:	ND2-16, 1in. (25.4mm) exit Neodymium Compression Driver
Crossover Frequency:	1.5 kHz
Input Connector:	XLR and 1/4" TRS Combination
Output Connector:	XLR
Power Requirement:	120 VAC, 50-60 Hz, or 230 VAC, 50-60 Hz
Enclosure Material:	Polypropylene Structural Foam
Suspension:	Enclosure has locations for 5 Single- Stud Attachment Plates and 10 Forged Steel Eyebolts – 2 on Top, 2 on Bottom, 2 on Side, and 4 on Rear of Enclosure
Grille:	Polyester Powder Coated, 16GA Galvanized Steel
Dim (H x W x D):	27.26" x 17.57" x 16.16" (692mm x 446mm x 411mm)
Net Weight:	50.5 lbs (22.9 kg)
Shipping Weight:	58.9 lbs (26.7 kg)

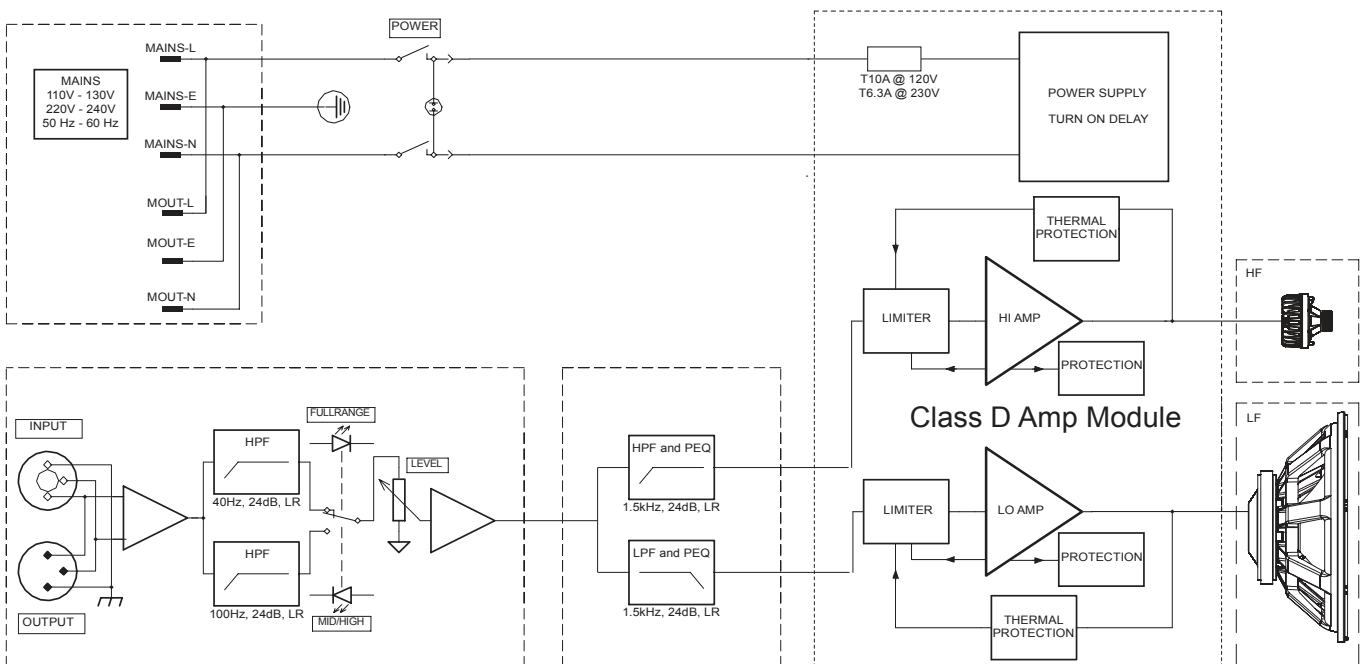
<sup>1</sup>Half Space measurement

# ZXA5

## Abmessungen



## Blockschaltbild

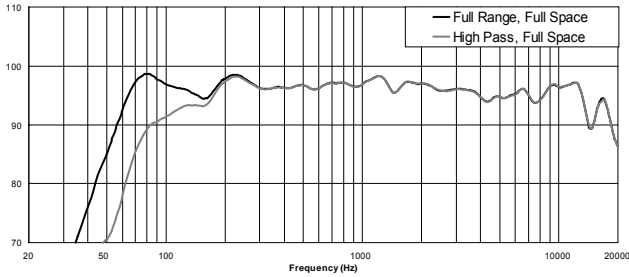




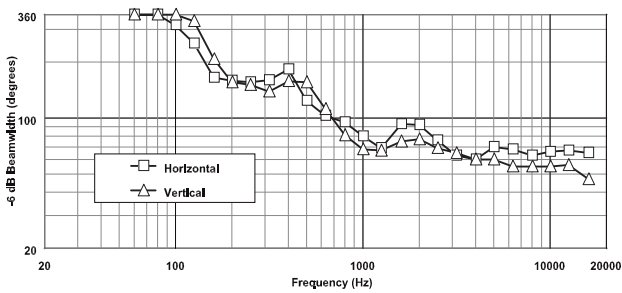
# Frequenzgang und Abstrahlcharakteristik

## ZxA5-60, 60° x 60° Coverage

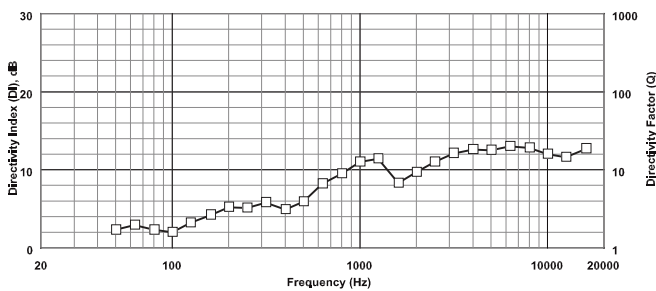
### Frequency Response:



### Beamwidth:

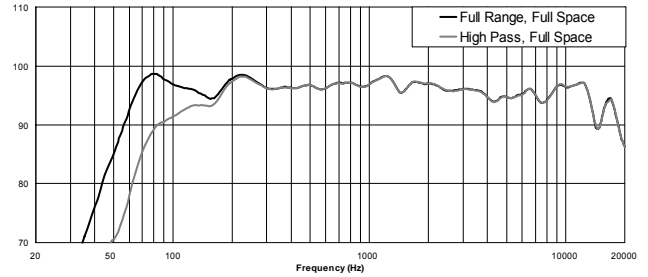


### Directivity:

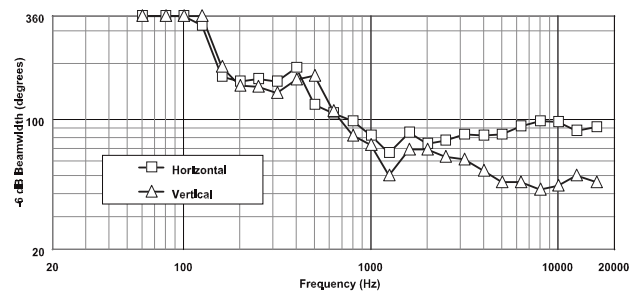


## ZxA5-90, 90° x 50° Coverage

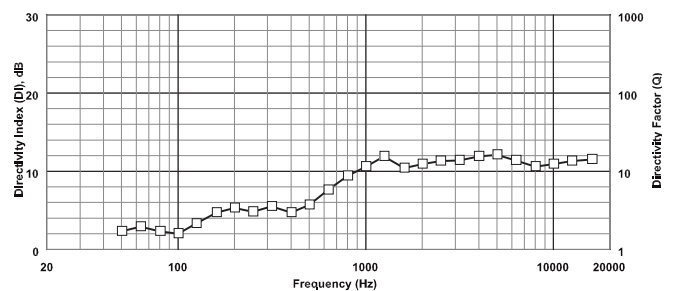
### Frequency Response:



### Beamwidth:



### Directivity:



# ZXA5

## ZxA5 Rigging-Zubehör-Referenztable

---

### ZxA5 Rigging-Zubehör – Referenztable

Bezeichnung	Beschreibung	Teile-Nr.
CB5-B	Gruppenschienensatz, schwarz	301625-001
CB5-W	Gruppenschienensatz, weiß	301625-002
MB5-B	Wand/Decken Montagesatz, schwarz	301626-001
MB5-W	Wand/Decken Montagesatz, weiß	301626-002
SSK-1	Single-Stud Rigging Kit (Satz 3fach)	301633-000
EBK-3	Verstärkter M8 Ringösensatz (Satz 3fach)	301634-000
RK-Z	Single-Stud Anker-Plattensatz (Satz 3fach)	301812-000
TMK-ZX	Truss Mount Satz, incl. VSA-1, TCA-1 und HA-5 (schwarz)	KIT000007-001
HDC-5	Heavy-Duty stapelbare Hülle, schwarz	301813-001
HA-5	Griffadapter für VSA-1	301811-001
VSA-1	Vertical Strong Arm	ACC000007-001
TCA-1	Trussclamp Adapter für VSA-1	ACC000012-001

# Lackieren des ZxA5 Lautsprecher- Systems

## Lackieren des ZxA5-Gehäuses

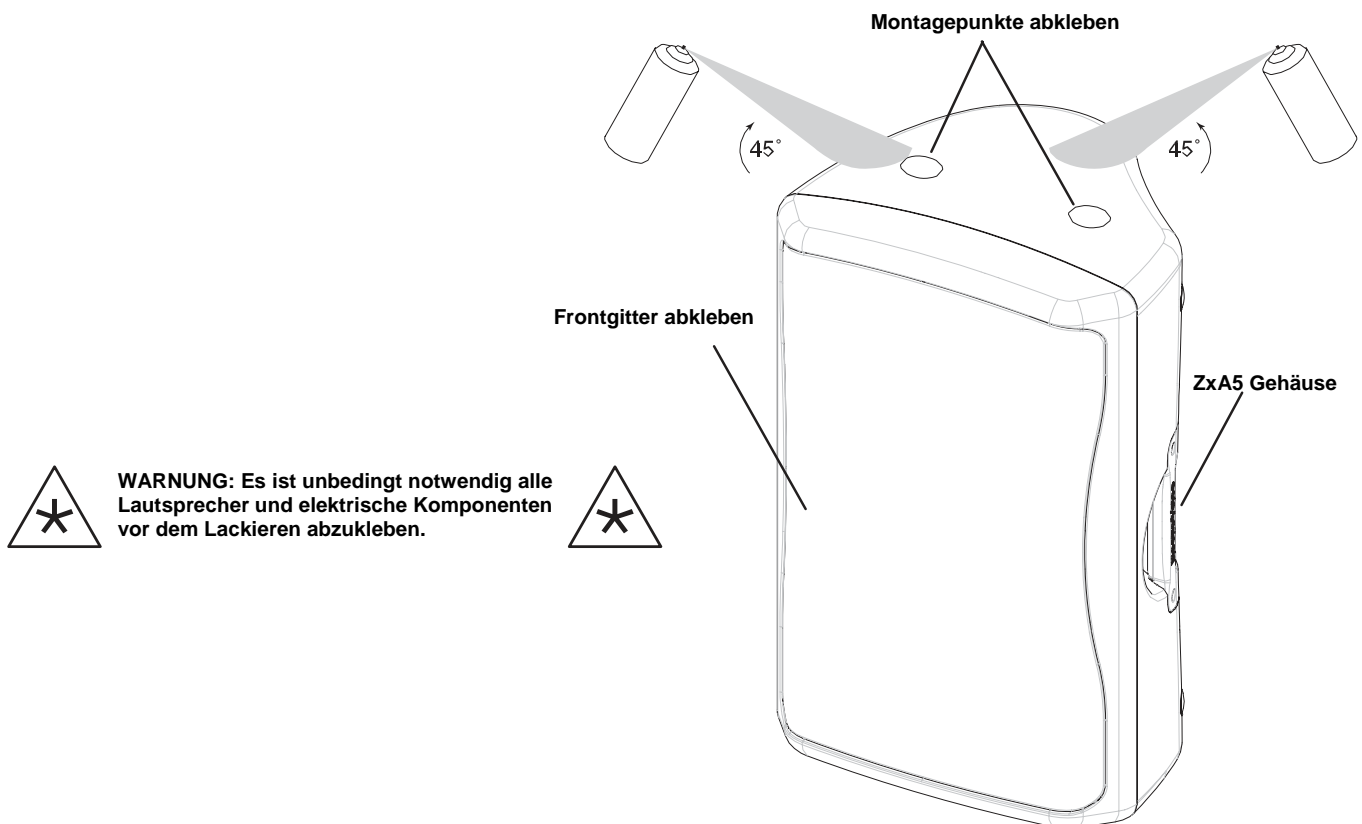
Das Lautsprecher-Gehäuse der ZxA5 ist aus einem High-Performance Polypropylen-Material gefertigt. Damit die Farbe gut hält, wird ein sogenannter „Plastik-Adhäsions-Promoter“ empfohlen, der vor dem Lackieren aufgebracht wird. Ein gutes Beispiel hierfür ist der Sherwin-Williams Plastik-Adhäsions-Promoter UP07226 (siehe Telex-Dokument Nr. LIT 000066-000 bzgl. weiterer Einzelheiten). Sobald der Plastik-Adhäsions-Promoter aufgebracht ist, können Sie nach den Vorschriften des jeweiligen Lack-Herstellers ganz normal weiter lackieren.

## Lackieren des Lautsprecher-Gitters der ZxA5.

Entfernen Sie das Abdeckungs-Gitter vom Lautsprecher sowie das rückwärtige Material und das Logo vom Grill, bevor Sie mit dem Lackieren beginnen. Sobald der Lack trocken ist, befestigen Sie das rückwärtige Material und das Logo wieder auf dem Gitter. Ein Spray-Kleber, wie zum Beispiel der 3M Super77 kann dabei helfen, das rückwärtige Material auf dem Gitter wieder zu befestigen.

## Zusätzliche Vorsichtsmaßnahmen

Achten Sie vor dem Lackieren darauf, dass entsprechende Schutzmaßnahmen getroffen wurden um keinerlei Farbe in die Lautsprecher-Komponenten eindringen zu lassen. Dies lässt sich erreichen durch Abdecken des Lautsprecher-Gitters, vorübergehendes Entfernen des Gitters und Abdeckung der Wandler oder durch vorübergehendes Entfernen des Abdeckgitters und Ausbau der Wandler. Achten Sie auch darauf, dass keine Farbe in elektronische Komponenten gelangt, indem Sie auch diese vor dem Lackieren abdecken. Ebenfalls empfehlenswert ist es alle Aufhängungspunkte, Warnaufkleber oder Hinweise vor dem Lackieren abzukleben.



### Painting View:

Lackieren des Gehäuses der ZxA5

**BOSCH Communications Systems**

USA Telex Communications Inc., 12000 Portland Ave. South, Burnsville, MN 55337, Phone: +1 952-884-4051, FAX: +1 952-884-0043

Germany EVI AUDIO GmbH, Hirschberger Ring 45, D 94315, Straubing, Germany Phone: +49 9421-706 0, FAX: +49 9421-706 265

France: EVI AUDIO France, Parc de Courcerin, Allée Lech Walesa, 77185 Lognes, France, Tél: +33 1 64800090, FAX: +33 1 6006 5103

Subject to change without prior notice.

Printed in Germany

10 /07 /2007 / D364839

[www.eviaudio.de](http://www.eviaudio.de)



## Free Manuals Download Website

<http://myh66.com>

<http://usermanuals.us>

<http://www.somanuals.com>

<http://www.4manuals.cc>

<http://www.manual-lib.com>

<http://www.404manual.com>

<http://www.luxmanual.com>

<http://aubethermostatmanual.com>

Golf course search by state

<http://golfingnear.com>

Email search by domain

<http://emailbydomain.com>

Auto manuals search

<http://auto.somanuals.com>

TV manuals search

<http://tv.somanuals.com>