

# PENTAX

## AC ADAPTER/CHARGER

# MODEL PV-A020A

## INSTRUCTION MANUAL



### FEATURES

- Easy connection with PV-R020A portable VTR using connection cords.
- Can be used as AC Adapter for the portable VTR.
- Can be used as an exclusive charger for battery pack VT-BP65A built-in the portable VTR.
- When connected to a color TV and the PV-R020A, this let you switch between off-the-air TV broadcasts and VTR playback.

**WARNING: TO PREVENT FIRE OR ELECTRIC SHOCK, DO NOT EXPOSE THIS APPLIANCE TO RAIN OR MOISTURE.**

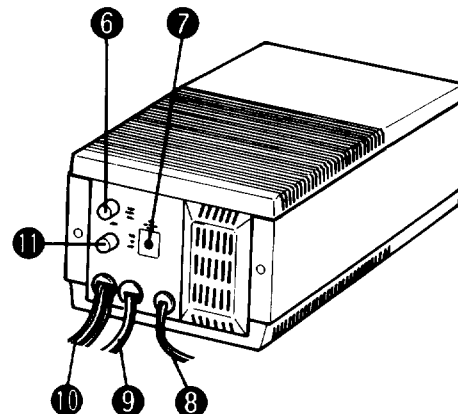
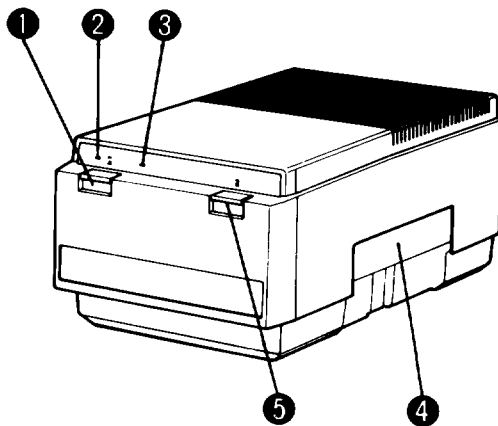
# PRECAUTIONS

- Avoid extreme heat.
- Avoid extreme moisture and dust.
- Avoid electrical shock.
- Do not use the unit in a place subject to vibration.
- Unplug the AC cord when not in use for prolonged period of time.
- Avoid use near magnetic field.
- Do not block the ventilation holes at the top and bottom with newspapers or cushions.  
Do not place the unit on a carpet because this can block the ventilation holes.

## POWER SUPPLY FOR PORTABLE VTR

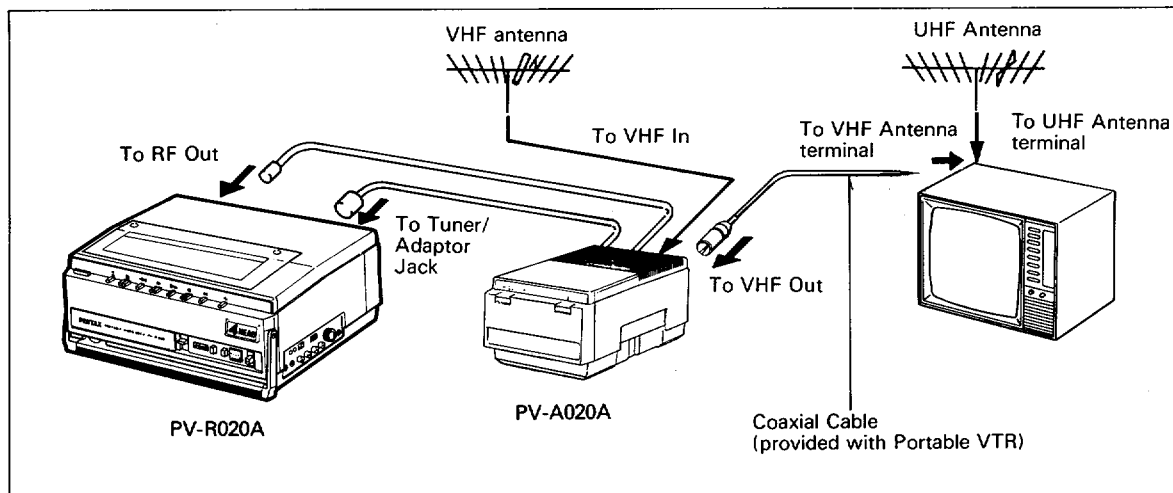
Power is supplied to the Portable VTR, PV-R020A when the Power Switch of the VTR is set to "ON" after the Power Switch of this unit is set to "ON".

## DESCRIPTION OF AC ADAPTER/CHARGER



- 1 POWER SWITCH**  
Turns AC Adapter/Charger power on and off.
- 2 POWER INDICATOR**  
Glows red when power is on.
- 3 CHARGE INDICATOR**  
Glows red when AC Adapter/Charger is recharging VTR's battery or auxiliary battery.
- 4 HANDLE**
- 5 OUTPUT SELECT SWITCH**  
In "TV" position, broadcast signals are received directly by your television set for normal TV viewing. In "VTR" position, the signal from you VTR is displayed on your television screen.
- 6 VHF IN**  
VHF antenna cable connects here.
- 7 AUXILIARY BATTERY CHARGE TERMINAL**  
A second rechargeable battery pack VT-BP65A can be plugged in here to charge.  
NOTE: The second rechargeable battery pack must be disconnected before the internal battery will be charged.
- 8 AC POWER CORD**  
Connects AC Adapter/Charger to a 120V 60 Hz household electric socket.
- 9 RF CONNECTOR CORD**  
Connects AC Adapter/Charger to Portable VTR at RF Out.
- 10 VTR CONNECTOR CORD**  
Connects AC Adapter/Charger to Portable VTR at Tuner/Adapter Jack.
- 11 VHF OUT**  
Round cable (provided with Portable VTR) that connects VTR and TV attaches here.

# ANTENNA CONNECTION



- It is not possible to record off-the-air TV program.
- TV program can be viewed.
- Use the Matching transformers (provided with Portable VTR) if necessary.

## VIEWING TV ONLY

- ① Turn on Power Switch of AC Adapter/Charger.
- ② Set the Output Selector to "TV".
- ③ Turn on TV and select channel to be viewed.

## PLAYBACK

- ① Turn on Power Switch of AC Adapter/Charger.
- ② Set the Output Selector to "VTR".
- ③ Turn on Power Switch of Portable VTR.
- ④ Turn on TV and set the channel CH3 or CH4.  
\* The same channel as the RF converter of the Portable VTR.
- ⑤ Press the operation button of Portable VTR.
- ⑥ Press STOP button on the Portable VTR to stop operation.
- ⑦ Turn off Power Switch of AC Adapter/Charger.

## HOW TO CHARGE BATTERY PACK VT-BP65A

### In case of an External Battery Pack

- ① Connect Battery Pack, VT-BP65A to Auxiliary Battery Charge Terminal of AC Adapter/Charger.
- ② Turn on Power Switch of AC Adapter/Charger.  
Now Charge Indicator lights up in red and goes off when charging is complete.

## In case of a Battery Pack built-in Portable VTR

- 1 Connect both VTR Connector Cord and RF Connector Cord of AC Adapter/Charger to Tuner/Adapter Jack and RF Out of Portable VTR.
- 2 Turn off Power Switch of Portable VTR.
- 3 Turn on Power Switch of AC Adapter/Charger.  
Now Charge Indicator lights up in red and goes off when charging is complete.  
Note: With an external battery pack connected, the external battery pack is charged but the built-in battery pack cannot be charged until the external battery pack is disconnected.

### NOTE

1. Be careful not short the inside and outside of the plugs.
2. The time required for charging is approx. 3 – 8 hours although it differs depending on the condition of the battery.
3. When a worn-out battery pack is charged, the charge indicator may not go off after charging is complete. When such a condition occurs, it may cause over-charging and subsequent trouble, so do not charge for more than 12 hours.
4. It is important to charge battery pack before and after use it.
5. Be sure to store the used battery pack after charging it.  
The battery pack discharges itself when it is not used, so be sure to charge the battery pack once every 6 months.

## SPECIFICATIONS

Power Input:	AC 120V, 60 Hz
Antenna:	VHF 75 ohms
Power Consumption:	46W
Dimensions:	140 (W) x 108 (H) x 264 (D) mm
Weight:	2.7 kg

For information concerning repairs, operation or technical assistance, please contact the Service Manager of your nearest Regional Office.

**Pentax Corporation**  
35 Inverness Drive East  
Englewood, Colorado 80112  
Tel. 303-773-1101

**Pentax Plaza**  
2 Linden Place  
Great Neck, New York 11021  
Tel. 516-487-9800

8363 Reseda Boulevard  
Northridge, California 91324  
Tel. 213-701-5080

Butterfield Office Plaza, Suite 107W  
2625 Butterfield Road  
Oak Brook, Illinois 60521  
Tel. 312-323-9000

3150 Holcomb Bridge Road  
Norcross, Georgia 30071  
Tel. 404-325-1171

## Free Manuals Download Website

<http://myh66.com>

<http://usermanuals.us>

<http://www.somanuals.com>

<http://www.4manuals.cc>

<http://www.manual-lib.com>

<http://www.404manual.com>

<http://www.luxmanual.com>

<http://aubethermostatmanual.com>

Golf course search by state

<http://golfingnear.com>

Email search by domain

<http://emailbydomain.com>

Auto manuals search

<http://auto.somanuals.com>

TV manuals search

<http://tv.somanuals.com>