

Troubleshooting

Problem: *Beer flow is slower with Universal Empty Keg Sensor than with standard Perlick coupler.*

Probable Cause: Beer Flow Control Handle is in **CLEAN** position.
Solution: Slowly turn Beer Flow Control Handle to **ON** position.

Problem: *Beer does not flow after keg is tapped.*

Probable Cause: Universal Empty Keg Sensor has locked up.
Solution: Turn Beer Flow Control Handle to **OFF** position. Wait two or three seconds then slowly turn Beer Flow Control Handle to **ON** position.

Probable Cause: Beer Flow Control Handle is **OFF**.
Solution: Slowly turn Beer Flow Control Handle to **ON** position.

Probable Cause: Universal Empty Keg Sensor is dirty.
Solution: Clean Universal Empty Keg Sensor.

Probable Cause: Out of gas.
Solution: Reestablish gas flow.

Problem: *Excessive foam.*

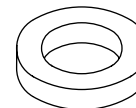
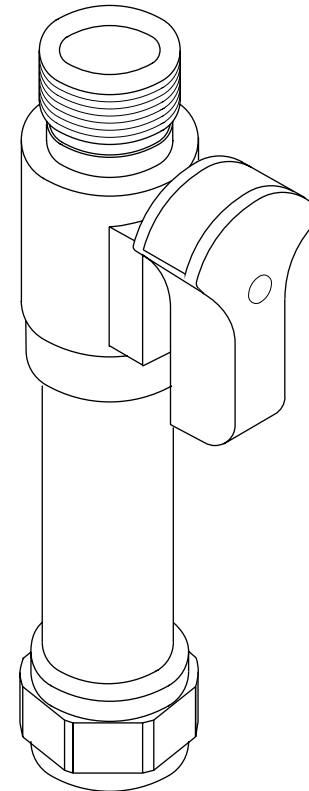
Probable Cause: Beer temperature too high. Excessive beer flow rate. Beer is over-carbonated
Solution: These problems are not caused by the Universal Empty Keg Sensor. Follow established procedures to correct the problem.



INSTALLATION AND OPERATING INSTRUCTIONS UNIVERSAL EMPTY KEG SENSOR

Part No.

□ 43739



No. 43739
Universal Empty
Keg Sensor

The Perlick Universal Empty Keg Sensor shuts off the flow of beer when the keg empties. With the line full of beer, the foaming and resulting beer waste from changing kegs is eliminated.

IMPORTANT!

To ensure your complete satisfaction, please read these instructions before using Perlick's Universal Empty Keg Sensor.



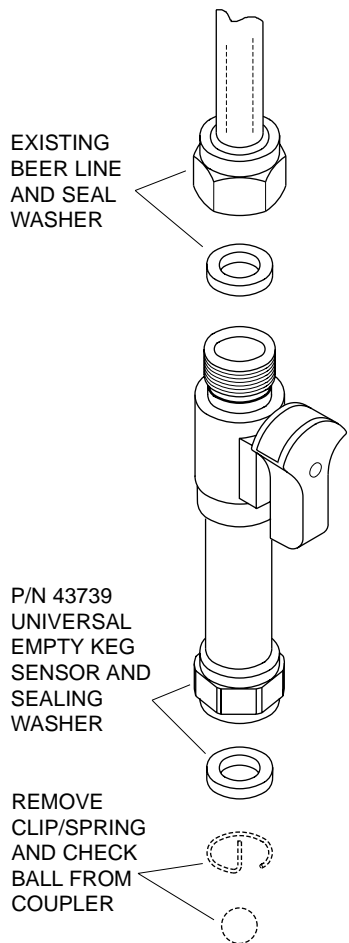
8300 West Good Hope Road • Milwaukee, WI 53223 • Phone 414-353-7060
Fax 414-353-7069 • Toll Free 800-558-5592 • E-Mail: Perlick@Perlick.com • www.Perlick.com

Form Z2148EMU

* U.S. Patent #5,630,411

Download from www.SoftManuals.com. All Manuals Search And Download.

INSTALLATION INSTRUCTIONS



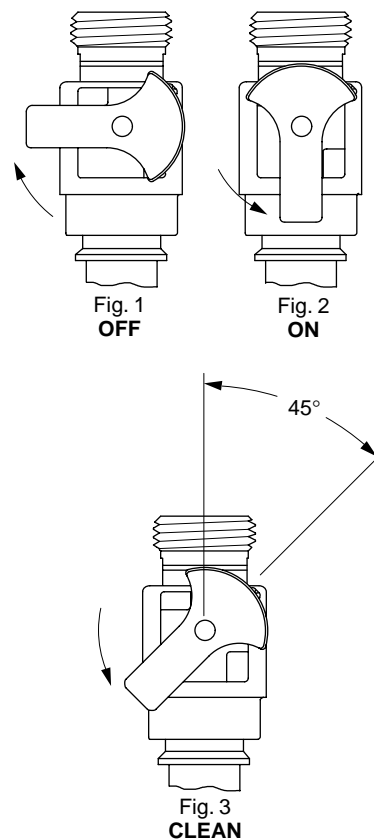
1. Disconnect keg coupler from keg.
2. Open faucet to relieve line pressure and close when flow ceases.
3. Disconnect beer line including seal washer from keg coupler.
4. Connect beer line including seal washer to external thread of Universal Empty Keg Sensor and turn Beer Flow Control Handle to **OFF** position. (See Fig. 1). In this position the Universal Empty Keg Sensor acts as a shut-off valve.
5. Where fitted, remove retaining clip/spring and check ball from keg coupler center probe.
6. Insert seal washer supplied into coupling nut on Universal Empty Keg Sensor and couple to the keg coupler.
7. Connect keg coupler to keg and tap keg.
8. Turn Beer Flow Control Handle to **CLEAN**. (See Fig. 3).
9. Open beer faucet. When solid beer appears, close the faucet.
10. Turn Beer Flow Control Handle **ON**. (See Fig. 2). The line is full and ready for service.

Warranty

Perlick Products are fully guaranteed against defects in both material and workmanship for a period of one year from date of sale. Defective parts will be replaced on a no-charge basis, F.O.B. our factory, subject to our inspection. We are not responsible for parts damaged by alteration, unauthorized service, accident or abuse. All costs incident to replacement to include freight, labor and/or loss of sales are incidental to this warranty and must be borne by the user.

TAPPING AND CLEANING PROCEDURES

Beer Flow Control Handle Operating Positions



Filling the Lines the First Time

1. Turn Beer Flow Control Handle **OFF**. (See Fig. 1).
2. Tap fresh keg.
3. Turn Beer Flow Control Handle to **CLEAN**. (See Fig. 3).
4. Open the beer faucet. When solid beer appears, close the faucet. The line is full.
5. Turn Beer Flow Control Handle **ON**. (See Fig. 2). The line is full and ready for service.

When Tapping Fresh Kegs

1. Remove coupler from empty keg.
2. Turn Beer Flow Control Handle **OFF**. (See Fig. 1).
2. Tap fresh keg in normal manner.
3. Turn Beer Flow Control Handle to **CLEAN** position. (See Fig. 3). Wait for five seconds then turn to **ON** position. (See Fig. 2).

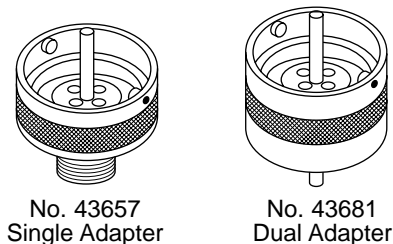
To Restart System

If beer does not flow, first turn the Flow Control Handle to **OFF**. (See Fig. 1). Then turn Handle to the **CLEAN** position. (See Fig. 3). Wait for five seconds then turn the Handle to **ON** position. (See Fig. 2).

To Clean

1. Untap Keg in usual manner.
2. Turn Beer Flow Control Handle **OFF**. (See Fig. 1).
3. Attach cleaning adapter. Use Perlick's single cleaning adapter, No. 43657, if cleaning from faucet to keg. If two or more lines are cleaned, use Perlick's dual cleaning adapter, No. 43681.
4. Turn Beer Flow Control Handle to **CLEAN** and clean as usual. (See Fig. 3).
5. After flushing, turn Beer Flow Control Handle **OFF** and retap keg. (See Fig. 1).
6. To restore service, see above instructions.

Cleaning Adapters



Free Manuals Download Website

<http://myh66.com>

<http://usermanuals.us>

<http://www.somanuals.com>

<http://www.4manuals.cc>

<http://www.manual-lib.com>

<http://www.404manual.com>

<http://www.luxmanual.com>

<http://aubethermostatmanual.com>

Golf course search by state

<http://golfingnear.com>

Email search by domain

<http://emailbydomain.com>

Auto manuals search

<http://auto.somanuals.com>

TV manuals search

<http://tv.somanuals.com>