



### Specifications: FP633-4 & FP633-T32

System Type			
	5.25" 2-way mono high-directivity (voice coil/4 Ohm direct or 32 Watt transformer for 70.7/100V applications)		
Frequency Response (-3 dB) <sup>1</sup>	140 Hz – 13.2 kHz		
Frequency Response (-6 dB) <sup>1</sup>	120 Hz – 14.2 kHz		
Low Frequency (-10 dB) <sup>1</sup>	95 Hz – 20 kHz		
Max. Program Power	100 W		
Max. Continuous Power RMS <sup>2</sup>	50 W		
Max. SPL dB @ .5M	111 dB		
Sensitivity dB @ 1W/0.5M <sup>3</sup>	91 dB		
Impedance	4 Ohm (nominal value). The FP633-4 is a 4 Ohm product.		
Tap Selector	Tap setting must be specified at time of order.		
Transformer Taps			
<b>70.7 V</b>	<b>Output</b>	<b>100 V</b>	<b>Output</b>
32 W	109 dB	n/a	n/a
16 W	106 dB	32 W	109 dB
8 W	103 dB	16 W	106 dB
4 W	100 dB	8 W	103 dB
Coverage Angle (-6 dB)	22° @ 2 kHz		
Directivity Factor (Q)	68.11 (100 Hz to 10 kHz averaged) 125 @ 2 kHz		
Directivity Index (DI)	14.51 dB (100 Hz to 10 kHz averaged) 21 dB @ 2 kHz		
Transducers			
Low Frequency Driver	1 x 133 mm (5.25 in) Polypropylene cone, butyl rubber surround		
High Frequency Driver	1 x 25 mm (1.0 in) Polypropylene balance dome		
Crossover Frequency	5 kHz		
Network Type	1st Order series		
Inputs	Corrosion resistant binding post		
Dome Material	Custom molded PETG clear dome		
Enclosure Material	Polyethylene driver enclosure		
Colors	Clear, custom translucent & opaque colors available		
Dome Diameter	781 mm (30.75 in)		
Total Height	376 mm (14.80 in)		
Weight	5.2 kG (11.45 lbs)		
Shipping Weight	9.1 kG (20.0 lbs)		
Optional Accessories	SoundSleeves™ & Wall Mount Bracket		

<sup>1</sup> Frequency response is measured in full space.

<sup>2</sup> Continuous power rating, EIA-426-B test.

<sup>3</sup> 2.0 Volts at a distance of 0.5 meters.

SoundTube continually develops new product innovations and improvements. Updates to existing products without prior notice are an example of SoundTube's drive for constant improvement.

### Key Features

- Patented Dual-Parabolic™ dispersion control technology delivers precise audio coverage.
- 781 mm (30.75 in) Custom-molded PETG clear polymer dome. Custom-colors available.
- One 133 mm (5.25 in) polypropylene woofer and one 25 mm (1.0 in) polypropylene balanced dome tweeter with FerroFluid® cooling.
- Patented ZeroReflection™ driver enclosure for accurate sound reproduction
- Narrow 22° coverage angle for sharp focus.
- Single point balanced mounting for easier and cleaner-looking installs.
- Shipped fully assembled; bulk shipping available upon customer request.
- Optional wall-mount bracket available.
- Custom colors and printed decorative and promotional dome covers optional.

### Applications

The SoundTube FP633 uses patented Dual-Parabolic™ dome technology for contained music & messaging in venues requiring a targeted hot spot for 1-3 listeners. With full-range sound, enhanced bass response and a Max SPL of 111 dB (@ 0.5 M), the FP633 is the ideal choice for focused audio solutions in louder ambient noise applications, including kiosks, P.O.P. displays, education, trade shows, plasma displays and sports bars.

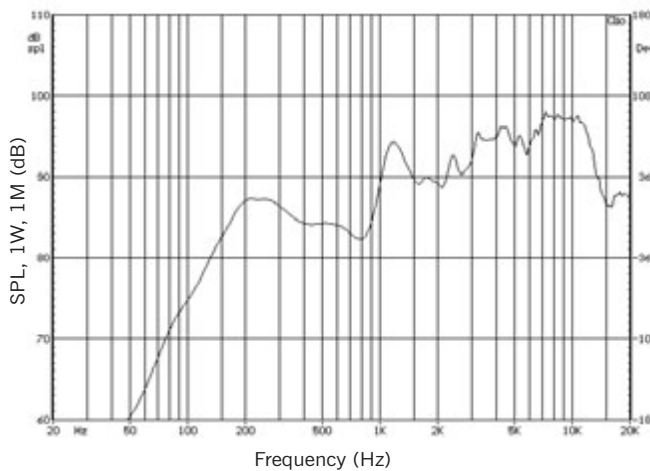
### Patented Dual-Parabolic™ Technology

SoundTube Entertainment is constantly developing new technologies that enhance audio product performance. SoundTube Entertainment's innovations are protected by multiple U.S. & international patents, which explicitly cover SoundTube dome, enclosure and dispersion technologies. SoundTube Entertainment actively defends its patents in order to protect SoundTube resellers and end users.

### Technical Data

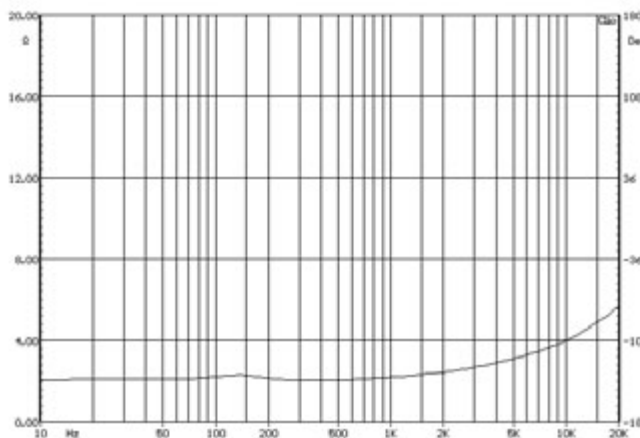
SoundTube Entertainment strives to provide complete and effective technical information and data to dealers, engineers and designers. All data are available

**Frequency Response (unequalized)**

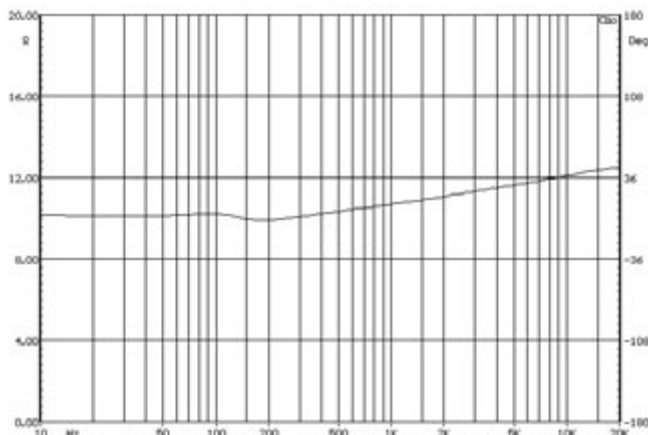


Frequency Response on-axis in full space (4π).

**Impedance Response**



**Phase Response**



from SoundTube Entertainment, or at [www.soundtube.com](http://www.soundtube.com).

Technical data and downloads include:

**EASE™ data** – 3-D polar plots

**Tech Sheets** – Technical information and architectural specs for system engineers.

**Data Acquisition**

All performance data acquired at SoundTube’s Technical Measurement Center (TMC) are analyzed using a variety of standard measurement techniques, including Maximum Length Sequence (MLS) and Time Delay Spectrometry (TDS). Performance, development and data acquisitions tools include: Gold Line TEF 20 Suite, CLIO, LMS, LEAP, and proprietary modeling software.

**Data for Other SoundTube Products**

Also available: Sales & installation information for all SoundTube speaker systems, including open-ceiling, in-ceiling, surface-mount, in-ground and sound-focusing speakers.

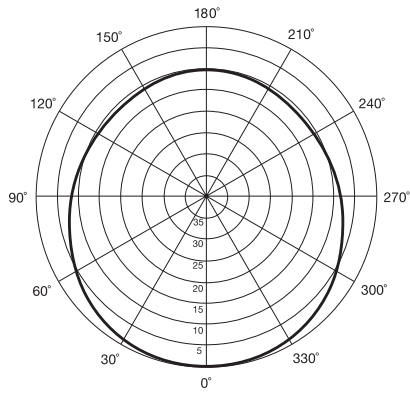
**Architectural Specifications**

The loudspeaker shall consist of a 133 mm (5.25 in) low-frequency transducer and a 25 mm (1.0 in) high-frequency transducer with a frequency-dividing network installed in the enclosure. The low-frequency voice coil diameter shall be 25 mm (1.0 in). Sound waves from the low- and high-frequency drivers shall be reflected from a 781 mm (30.75 in) Dual-Parabolic™ sound dome.

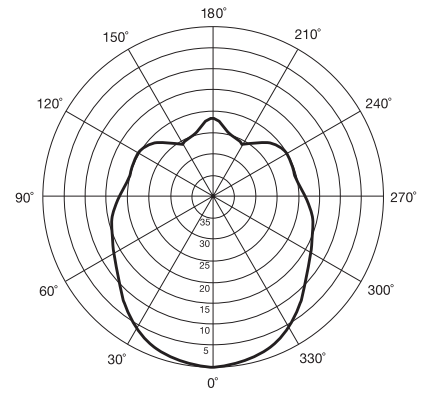
Performance specifications of a typical production unit shall be as follows: Usable frequency response shall extend from 95 Hz – 20 kHz. The loudspeaker shall be available in either voice coil/4 Ohm direct or 70.7/100 Volt models, and equipped with a corrosion-resistant binding post for pre-selected impedance modes. Taps should be nominally 4 W @ 70.7 V (8 W @ 100 V), 8 W @ 70.7 V (16 W @ 100 V), 16 W @ 70.7 V (32 W @ 100 V), and 32 W @ 70.7 V (tap position not used @ 100 V). Transformer options are factory preset at 8 Watt, unless otherwise specified at time of order. The frequency-dividing network shall have a crossover frequency of 5 kHz. Rated power capacity of the components and network shall be at least 50 Watts continuous RMS.

Horizontal One Octave Polars

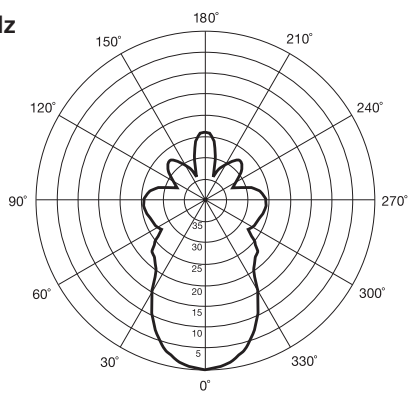
250 Hz



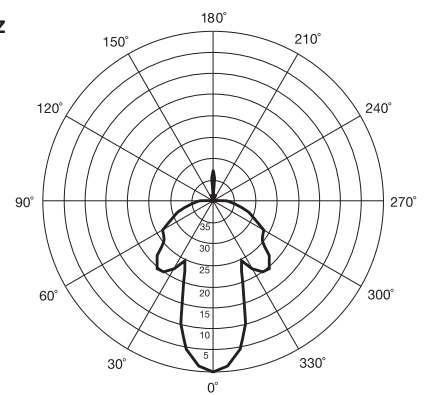
500 Hz



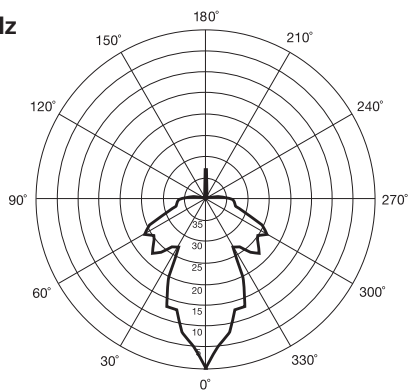
1000 Hz



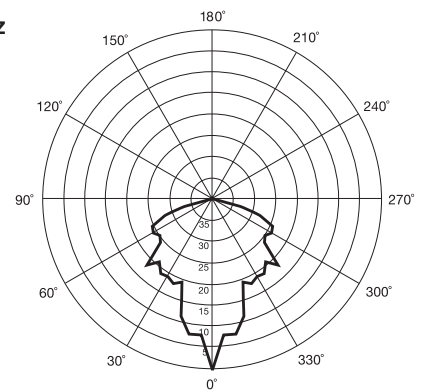
2000 Hz



4000 Hz

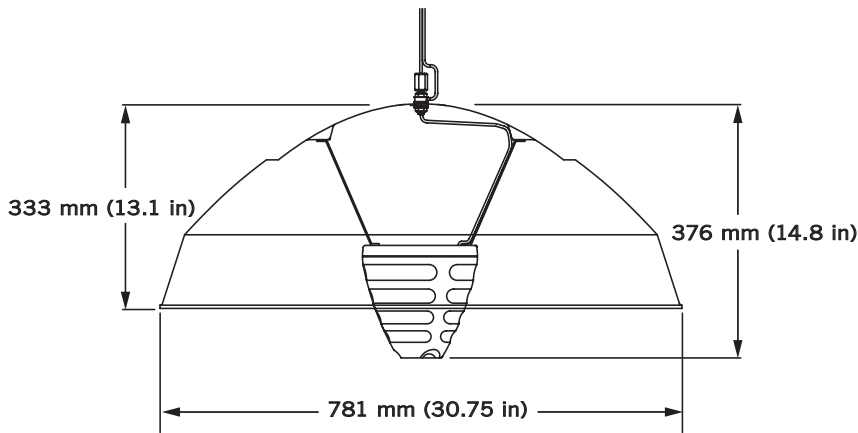


8000 Hz



(Architectural Specifications, continued)

**Mechanical Drawings**

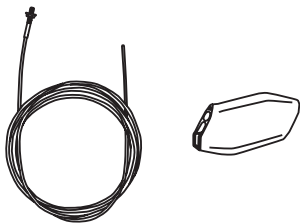


The dome shall be constructed of custom-molded PETG with a polyethylene driver enclosure. The grille shall be constructed of heat-resistant ABS plastic material. The overall dome and cabinet dimensions shall be no more than 781 mm (30.75 in) in diameter by 376 mm (14.80 in) in height and weigh no more than 5.2 kG (11.45 lbs).

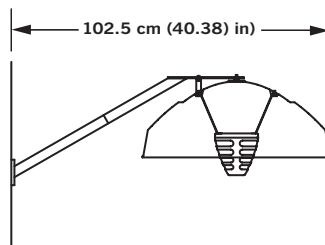
The low-frequency transducer shall have a polypropylene cone with butyl rubber surround. The high-frequency transducer shall be constructed of a polypropylene material using a balanced dome configuration with FerroFluid® cooling.

Installation for the FP633 shall be by single point hanging aircraft cable (AC-HC20) with a 1/4 -20 stud into a threaded insert on dome apex. Additional accessories include Wall Mount Bracket (AC-WB3) and Threaded Hanging Rod (AC-TR36). Wall bracket is constructed of cold rolled steel. The external wiring input connectors shall be a binding post and shall accept from 16 – 22 gauge wire (or any wire size using a blade connector). Optional decorative SoundSleeves™ are available for in-store marketing.

**Optional Accessories**



**AC-HC20** 20' Hanging Cable with SpeedClamp™



**AC-WB3** Wall Mount Bracket



**AC-CPSU** Custom Printed SoundSleeve™

**SoundTube Entertainment**

6430 North Business Park Loop  
 Park City, Utah 84098  
 Phone 435.647.9555  
 Fax 435.647.9666  
 Toll Free 800.647.TUBE  
 www.soundtube.com

**All SoundTube products come with a 5-year limited warranty.**

(not shown)

**AC-TR36** – Threaded Hanging Rod    **AC-FE1** – Forged Eyebolt

SoundTube Entertainment manufactures a complete line of speakers for:  
**Open-Ceiling • In-Ceiling • Surface-Mount • Outdoor • Sound-Focusing**

All SoundTube products are designed and engineered in the USA.

## Free Manuals Download Website

<http://myh66.com>

<http://usermanuals.us>

<http://www.somanuals.com>

<http://www.4manuals.cc>

<http://www.manual-lib.com>

<http://www.404manual.com>

<http://www.luxmanual.com>

<http://aubethermostatmanual.com>

Golf course search by state

<http://golfingnear.com>

Email search by domain

<http://emailbydomain.com>

Auto manuals search

<http://auto.somanuals.com>

TV manuals search

<http://tv.somanuals.com>