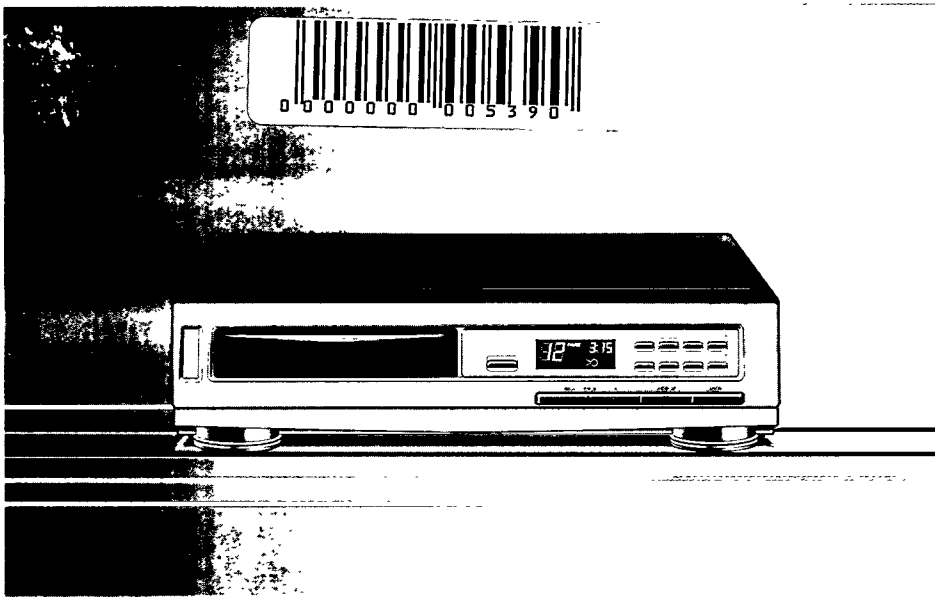


# PHILIPS



AK 601  
AK 630  
CD 600

(GB) Compact Disc player	5 ▶
(F) Lecteur de Disques Compacts	9 ▶
(D) Compact Disc-Spieler	13 ▶
(NL) Compact Disc-Speler	17 ▶
(E) Reprodutor 'Compact Disc'	21 ▶
(I) Lettore di Compact Disc	25 ▶
(DK) Compact Disc-Afspiller	29 ▶
(S) Compact Disc-Spelare	33 ▶
(SF) Compact Disc-Soitin	36 ▶



## PHILIPS

**GB English**.....page 5

Illustrations .....pages 3, 4

**F Français** .....page 9

Illustrations .....pages 3, 4

**D Deutsch** .....Seite 13

Abbildungen .....Seiten 3, 4

**NL Nederlands**.....pagina 17

Afbeeldingen .....pagina's 3, 4

**E Español** .....página 21

Ilustraciones .....páginas 3, 4

**I Italiano** .....pagina 25

Illustrazioni .....pagine 3, 4

**D Dansk** .....sida 29

Figurer.....side 3, 4

**S Svenska**.....sida 33

Figurer.....sidorna 3, 4

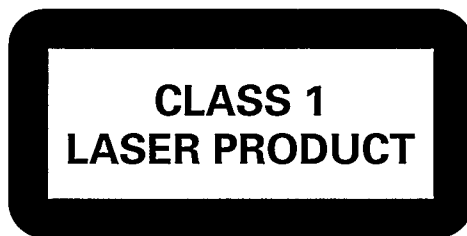
**SF Suomi**.....sivu 36

Kuvat.....sivut 3 4

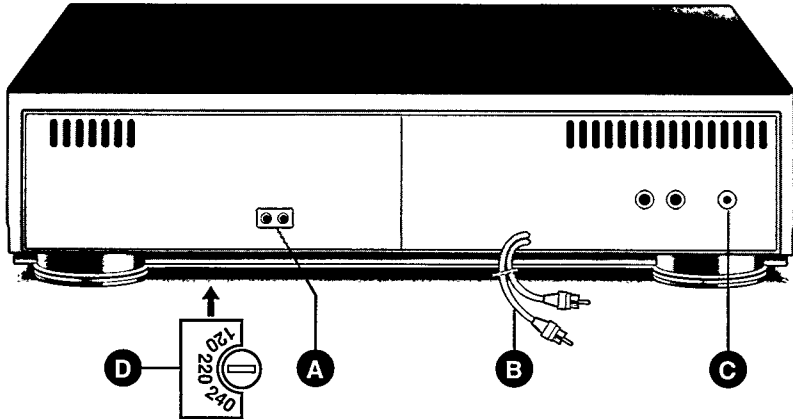
**MEX México**

Es necesario que lea cuidadosamente su instructivo de manejo.

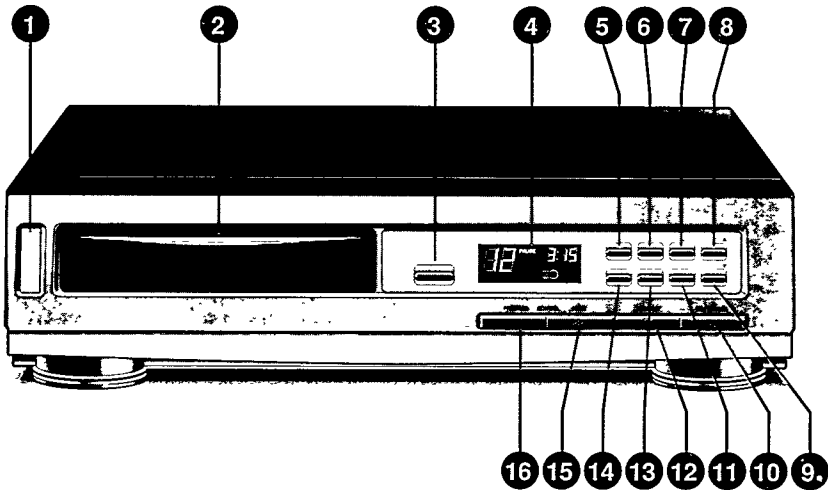
**NOM**



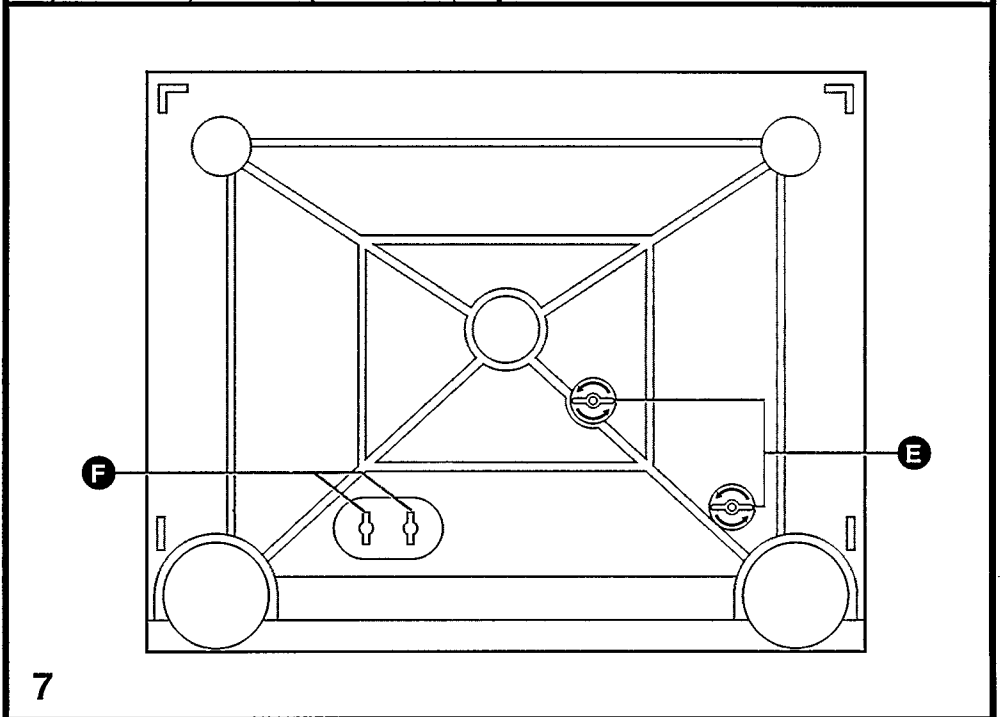
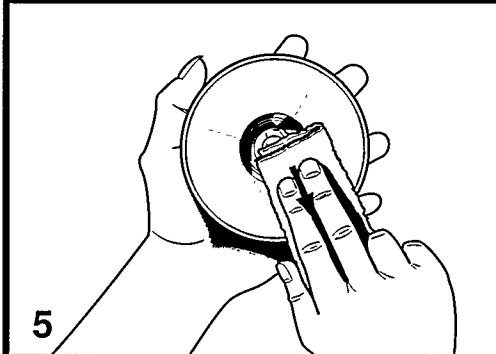
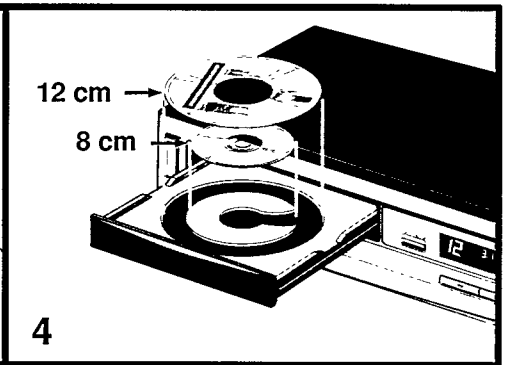
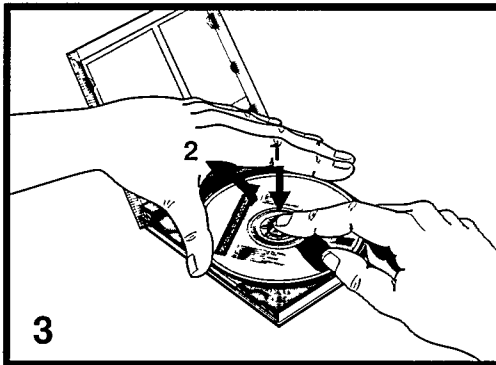
**NOM**



1



2



# English

## CONNECTIONS - Rear - Fig. 1

- Ⓐ MAINS: connection for mains lead.
- Ⓑ CD out: two cinch plugs for high-quality Compact Disc playback through your amplifier, receiver, etc.
- Ⓒ REMOTE IN socket: to connect the unit to the remote control system of other equipment.
- Ⓓ Voltage selector (NOT ON ALL VERSIONS). If your version has a voltage selector, check that the setting of the voltage selector corresponds with the local mains voltage.  
*The type plate is on the rear of the unit.*

## CONTROLS - Front - Fig. 2

- ① POWER: to switch the CD player on and off.
- ② Drawer for 8 cm and 12 cm Compact Discs.
- ③ OPEN/CLOSE: to open and close the drawer ②.
- ④ Display, provides the following information (Fig. 6):
  - TRACK, the total number of tracks on the disc.
  - TIME, the total playing time of the disc and during play: the elapsed playing time of the track being played.
  - SCAN, when the INTROSCAN function is used.
  - PAUSE, during pauses.
  - PROGR, when playing a program.
  - REPEAT, when the repeat function is used.
  - SHUFFLE, when the SHUFFLE function is used.
  - (Ⓜ)O, when using a remote control.
  - E, indicating an error.
  - P, indicating that the track number has been programmed into the memory.
  - F, indicating that the memory is full.
  - C, indicating that the memory has been cleared.
- ⑤ REVIEW: causes all the programmed track numbers to appear on the display ④.
- ⑥ PROGRAM: to program the track number displayed into the memory.
- ⑦ CLEAR: to erase the memory.
- ⑧ SELECT +: to select tracks when programming during play.
- ⑨ SELECT -: to select tracks when programming during play.
- ⑩ PLAY/PAUSE: play and pause key, press again to resume playback.
- ⑪ INTROSCAN: to play the first few seconds of all the tracks on a CD.
- ⑫ STOP: stop key, when the CD is stationary the highest track number is displayed.
- ⑬ REPEAT: to continuously repeat the whole disc or the programmed selection. Press again to cancel the Repeat function.
- ⑭ SHUFFLE: to play the tracks in a random sequence.

- ⑮ NEXT/SEARCH:
  - during PLAY mode:
    - press briefly to jump to the next track
    - hold down for rapid forward playback.
  - in the STOP position:
    - press briefly to display the next number (e.g. when programming).
- ⑯ PREVIOUS/SEARCH
  - during PLAY mode:
    - press briefly to play the current track again. When pressed briefly again the player goes to the previous track.
    - hold down for rapid backward playback.
  - in the STOP position:
    - press briefly to jump to the previous track number (e.g. when programming).

## MAINTENANCE

- The mechanism of the CD player is fitted with self-lubricating bearings and therefore requires no lubrication.
- Fingerprints, dust and marks can be removed from the unit with a clean, slightly moist (not wet) soft cloth or chamois leather. Use only water to moisten the cloth or chamois leather.
- Apart from rain and moisture, excessive heat is also bad for the unit and the discs; never leave them for long periods in direct sunlight or in places where high temperatures may occur, such as in a car parked in the sun, near heating equipment etc.
- Protect the unit and the discs against sand.
- Always handle the discs by the edge (Fig. 3) and store them in the box immediately after use.
- If there are fingerprints, dust or marks on the disc, breathe on the disc and then remove the marks by wiping the disc from the middle outwards with a soft, lint-free cloth (Fig. 5). Cleaning agents may damage the surface of the disc.

## INSTALLATION

### Removing the transit clamps, Fig. 7

The two red transit clamps ⑤ in the bottom lock the mechanism to protect it during transportation. Turn the player upside down. Turn the clamps anti-clockwise and remove them from the player. Store them in the recesses ⑥. Replace the clamps if you wish to transport the player.

### Mains supply

- Check that the voltage stated on the type plate corresponds to the local mains voltage. If it does not, consult your dealer or service organisation.  
*If the set is equipped with a voltage selector ⑨, adjust this selector to the local mains voltage.*
- Insert the mains lead connector into the MAINS input ① and the mains plug into the wall socket. The unit is now connected to the mains power supply.
- Remove the mains plug from the wall socket if you wish to disconnect the unit completely from the mains supply.

## **Important notes for users in the U.K.:**

### **Mains plug**

This apparatus is fitted with an approved moulded 13 Amp plug.

To change a fuse in this type of plug proceed as follows:

- Remove fuse cover and fuse.
- Fix new fuse which should be a BS1362 3 AMP, A.S.T.A. or BSI approved type.
- Refit the fuse cover.

If the fitted plug is not suitable for your socket outlets, it should be cut off and an appropriate plug fitted in its place.

If the mains plug contains a fuse, this should have a value of 3 A. If a plug without a fuse is used, the fuse at the distribution board should not be greater than 5 A.

### **Note:**

The severed plug must be destroyed to avoid a possible shock hazard should it be inserted into a 13 A socket elsewhere.

### **How to connect a plug**

The wires in the mains lead are coloured with the following code:

blue = neutral (N), brown = live (L).

As these colours may not correspond with the colour markings identifying the terminals in your plug, proceed as follows:

- Connect the blue wire to the terminal marked N or coloured black.
- Connect the brown wire to the terminal marked L or coloured red.
- Do not connect either wire to the earth terminal in the plug, marked E (or  $\perp$ ) or coloured green (or green and yellow).

Before replacing the plug cover, make certain that the cord grip is clamped over the sheath of the lead — not simply over the two wires.

### **Copyright:**

Recording and playback of material may require consent.

See Copyright Act 1956 and The Performer's Protection Acts 1958 to 1972.

### **OPERATION**

#### **TO PLAY A DISC**

- The unit is switched on and off by means of the POWER switch ①.
- To open the drawer ② press the OPEN/CLOSE key ③.
- The CD player can play both standard 12 cm discs and the smaller 8 cm discs (CD singles). An adapter ring for 8 cm discs is not required.
- Holding the disc between the thumb and fingers of the outstretched hand, remove it from the packaging and place it with the label uppermost in the drawer ② (Fig. 3 and 4).
- Close the drawer ② by means of the OPEN/CLOSE key ③. You can also push the drawer in manually or press the PLAY/PAUSE key ⑩.

- The CD player starts and — appears on the display ④ indicating that the CD player is scanning the contents of the disc. The display then shows the number of tracks contained and the total playing time of the disc and the CD player stops.

- If the letter E (=error) appears on the display ④, the CD-player is unable to read the disc. Possible reasons for this are as follows:

- You have inserted the disc upside down: the label must be **uppermost**;
- the surface of the disc is severely scratched or very dirty, see **MAINTENANCE**;
- the lens has misted over due to abrupt transfer from a cold to a warm room. Leave the unit to acclimatise for a while.
- if the CD player cannot find a disc, NO DISC appears on the display.

- To begin playback press the PLAY/PAUSE key ⑩. As soon as playback begins, the number 1 (track number 1, i.e. the first track) and the elapsed playing time of the track will appear on the display ④. When the second track begins, the number 2 appears on the display and so on.

- The second way of starting playback is to press the SHUFFLE button ⑭, see SHUFFLE in this section.

- To interrupt playback for a short while, press the PLAY/PAUSE key ⑩. PAUSE will appear on the display. Press the PLAY/PAUSE key ⑩ again to resume playback.

- The CD-player reverts to the STOP position:

- if you press the STOP key ⑫ or the OPEN/CLOSE key ③;
- when the CD player reaches the end of the disc;
- if you set the POWER switch ① to the off position or in the case of other interruptions to the power supply.

- To remove the disc from the CD player, open the drawer ② by pressing the OPEN/CLOSE key ③.

- Switch the unit off by means of the POWER switch.

### **SHUFFLE**

- When you start playback by means of the SHUFFLE button ⑭, the display ④ shows a random track number of the inserted disc.

When this track ends, the next random track number appears on the display and so on. This continues until all tracks on the disc have been played or until playback is stopped (e.g. by pressing the STOP key ⑫).

- For the NEXT/SEARCH and PREVIOUS/SEARCH functions, see the relevant paragraphs in this section.

## NEXT/SEARCH

### 1. Press briefly (less than 0.5 second) during PLAY or INTROSCAN

– to go to the next track.

If you wish to skip the current track, you can jump to the next track by pressing the NEXT/SEARCH key (15) once. The next track number then appears on the display (4), playback is interrupted and the next track is played.

If you wish to skip several tracks, press the NEXT/SEARCH key (15) several times until the desired track number appears on the display (4).

### 2. Press briefly (less than 0.5 second) during SHUFFLE

– to go to the next random track.

If you wish to skip the current track, you can jump to the next random track by pressing the NEXT/SEARCH key (15) once. The next random track number then appears on the display (4), playback is interrupted and the next random track is played.

### 3. Hold down (more than 0.5 second) for rapid search during PLAY

By this means you can search forwards through a disc. The sound is speeded up and only partially reproduced, but remains recognisable. In this way, you can rapidly locate a certain passage in a track. Hold down the NEXT/SEARCH key (15) until you recognise the desired passage. When you release the key, the disc plays normally from this passage onwards.

## PREVIOUS/SEARCH

### 1. Press briefly (less than 0.5 second) during PLAY and INTROSCAN

– to go to the previous track.

If you wish to listen to the current track again from the beginning, press the PREVIOUS/SEARCH key (16) once: playback is interrupted and the track is repeated from the beginning. If you wish to repeat one of the previous tracks, press the PREVIOUS/SEARCH key (16) several times until the desired track number appears on the display (4).

### 2. Press briefly (less than 0.5 second) during SHUFFLE

– to go to the previous random track.

If you wish to listen to the current track again from the beginning, press the PREVIOUS/SEARCH key (16) once: playback is interrupted and the track is repeated from the beginning. If you wish to repeat one of the previous randomized tracks, press the PREVIOUS/SEARCH key (16) several times until the desired track number appears on the display (4).

The appearance of the error indication E on the display (4) means that the first randomized track has been reached. The player remains in the PLAY mode.

### 3. Hold down (more than 0.5 second) for rapid search during PLAY

By this means you can search backwards through a disc. The sound is speeded up and only partially reproduced, but remains recognisable. In this way, you can rapidly locate a certain passage in a track. Hold down the PREVIOUS/SEARCH key (16) until you recognise the desired passage. When you release the key, the disc plays normally from this passage onwards.

## NEXT/SEARCH - PREVIOUS/SEARCH

Press briefly (less than 0.5 second) in the STOP position with a disc in the drawer.

a. When the unit is in the STOP position, you can start playback at a certain track by pressing the NEXT/SEARCH key (15) or PREVIOUS/SEARCH key (16) until the desired track number appears on the display (4).

Press the PLAY/PAUSE key (10) to begin playback with the track you have selected.

b. With the unit in the STOP position, you can program a number of tracks by selecting the desired track numbers with the NEXT/SEARCH key (15) or the PREVIOUS/SEARCH key (16). See also **Manual programming** in this section.

## REPEAT

If you wish to continuously repeat the whole disc, the programmed selection, the shuffle or the introscan function, press the REPEAT button (13). In display (4) appears REPEAT. If you wish to cancel the Repeat function, press the REPEAT button (13) again.

## INTROSCAN

The INTROSCAN function can be engaged in both STOP and PLAY modes by pressing the INTROSCAN button (11). SCAN will then appear on the display.

The INTROSCAN function causes the first few seconds of every track to be played, beginning at track number 1. After playing the opening seconds of a track the CD player jumps to the beginning of the next track. The corresponding track number always appears on the display (4).

- Pressing the PLAY/PAUSE key (10) cancels the INTROSCAN function. The Introscaan indicator (17) goes out and the disc plays normally from the current track onwards.

- If you press the NEXT/SEARCH key (15) or the PREVIOUS/SEARCH key (16) the unit remains in the INTROSCAN function and the first few seconds of the next track or the previous track respectively are played.

- If the INTROSCAN function is not cancelled by pressing the PLAY/PAUSE key (10) or the STOP key (12), the CD player automatically reverts to the STOP position at the end of the disc.

- While the INTROSCAN-function is engaged, the SEARCH-functions (15) and (16) are blocked.

## PROGRAMMING TRACKS INTO THE MEMORY

It is not necessary to play the whole of a disc; you can also select a number of tracks and store them in the memory in the desired sequence. On playback, only the selected tracks are played in the desired sequence.

- Insert the disc.

### Manual programming

– Do not press the PLAY/PAUSE key (10), but select the desired track using the NEXT/SEARCH key (15) and the PREVIOUS/SEARCH key (16) until the correct track number appears on the display (4).

– Store this track number in the memory by pressing the PROGRAM button (6).

– Select and program all the tracks required in the same way.

### Programming during play with SELECT + and –

– Select the desired track with SELECT + (8) or SELECT – (9) until the required number appears on the display.

– Store the required track number using the PROGRAM button (6).

– Each time you store a track, a P will appear on the display.

### Programming during INTROSCAN

– Press the INTROSCAN button (11) to play the first few seconds of every track. The corresponding track number always appears on the display (4).

– Press the PROGRAM button (6) when you recognise a track which you wish to program into the memory.

### Programming during PLAY or SHUFFLE

– During normal playback (PLAY or SHUFFLE), you can program the number of the current track into the memory by pressing the PROGRAM button (6).

• When you press the PROGRAM button (6), the letter P appears on the display (4) to indicate that the relevant track number has been programmed into the memory.

• Program all the required track numbers in the desired sequence. You can program a maximum of 25 tracks (AK 630/CD 600: 32 tracks) into the memory. Any track number can be programmed into the memory more than once if desired. When the memory is full, the letter F (FULL) appears on the display (4).

• Pressing the REVIEW button (5) causes all the programmed track numbers to appear successively on the display (4) in the selected sequence.

• The memory can be completely cleared simply by pressing the CLEAR button (7): the letter C (CLEAR) appears on the display (4).

The contents of the memory are also cleared:

– when the drawer (2) is opened by means of the OPEN/CLOSE key (3).

– when the unit is switched off by means of the POWER switch (1), or if the power supply is interrupted (e.g. plug removed from the wall socket).

• In order to play your selection, the CD player must be in the STOP position; then press the PLAY/PAUSE key (10).

• The appearance of the error indication E on the display (4) means that you have given an illogical command during playback of a programmed selection, e.g. if during playback of the last track you press the NEXT/SEARCH key (15) (go to next track). In such a case the CD player remains in the PLAY mode.

### Remote control operation

If you connect the CD player, via the REMOTE IN socket (C), to another unit which can be operated by remote control (e.g. a remotely controllable amplifier, receiver, etc.), the following functions can also be operated by remote control: PLAY/PAUSE, STOP, NEXT, PREVIOUS, SEARCH UP, SEARCH DOWN and STAND BY.

This unit complies with the radio interference requirements of the European Community.













**AK 601**  
**AK 630**  
**CD 600**

## Free Manuals Download Website

<http://myh66.com>

<http://usermanuals.us>

<http://www.somanuals.com>

<http://www.4manuals.cc>

<http://www.manual-lib.com>

<http://www.404manual.com>

<http://www.luxmanual.com>

<http://aubethermostatmanual.com>

Golf course search by state

<http://golfingnear.com>

Email search by domain

<http://emailbydomain.com>

Auto manuals search

<http://auto.somanuals.com>

TV manuals search

<http://tv.somanuals.com>