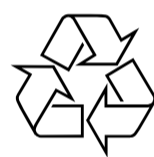




PHILIPS

AJ3980 CD Clock radio
 PHILIPS CONSUMER ELECTRONICS
 NORTH AMERICA
 Knoxville, Tennessee 37914-1810, U.S.A.

- English
- Français
- Español



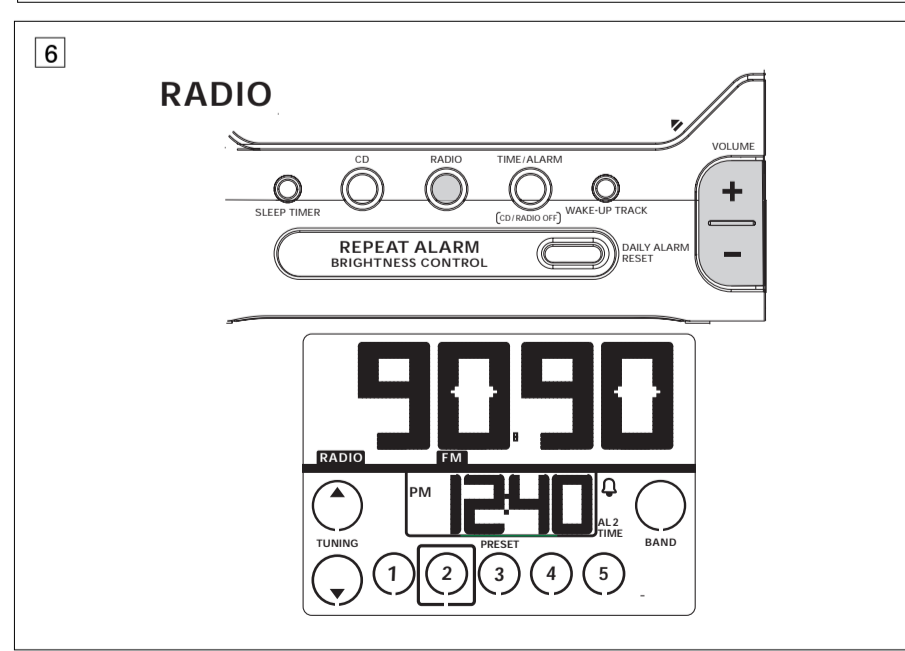
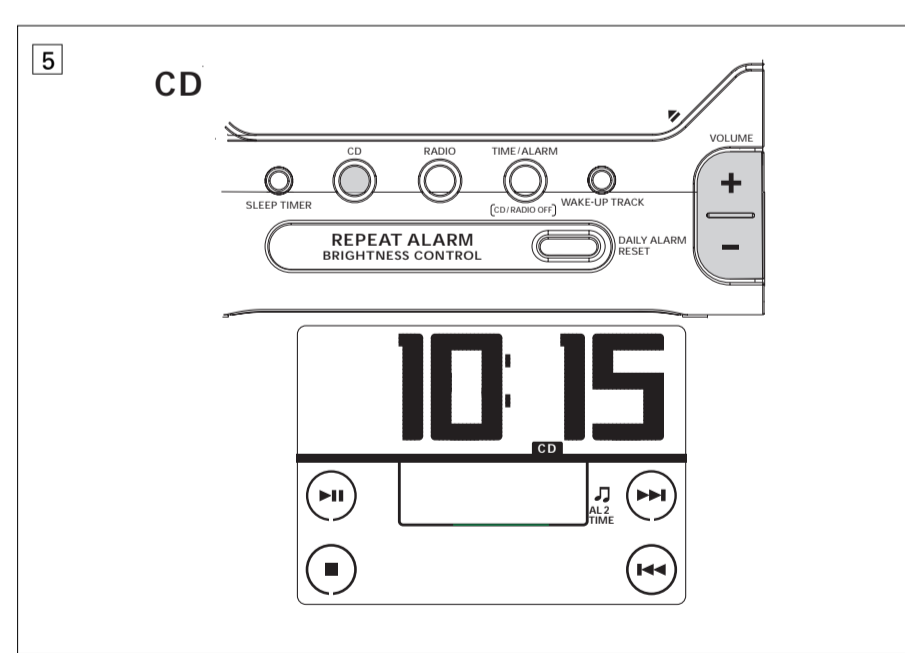
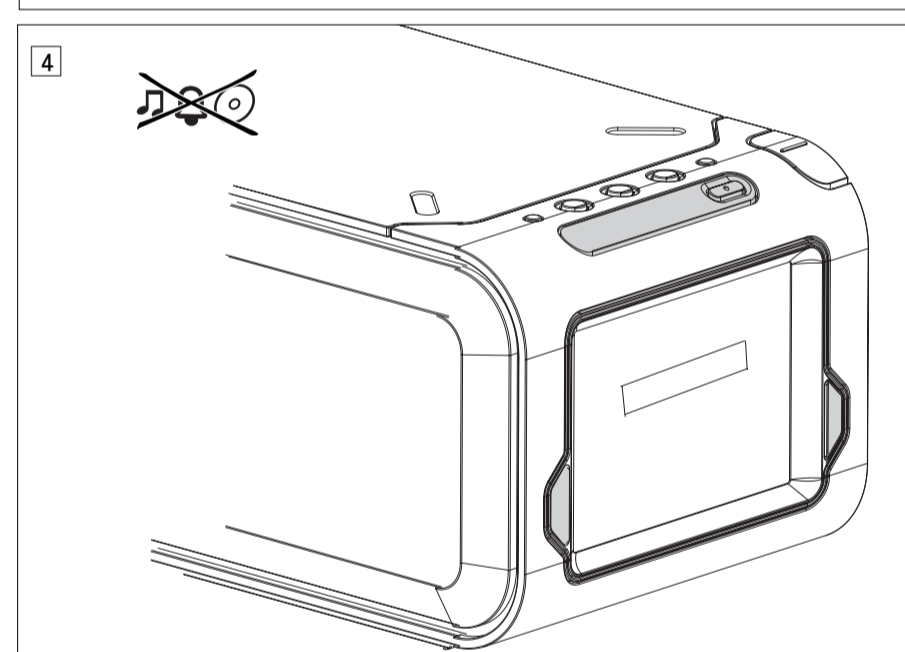
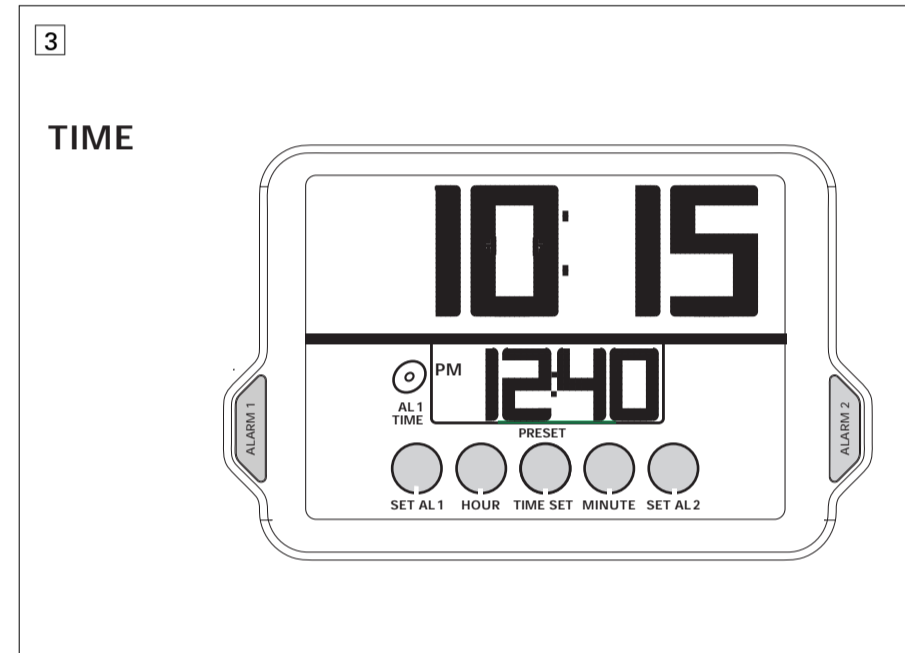
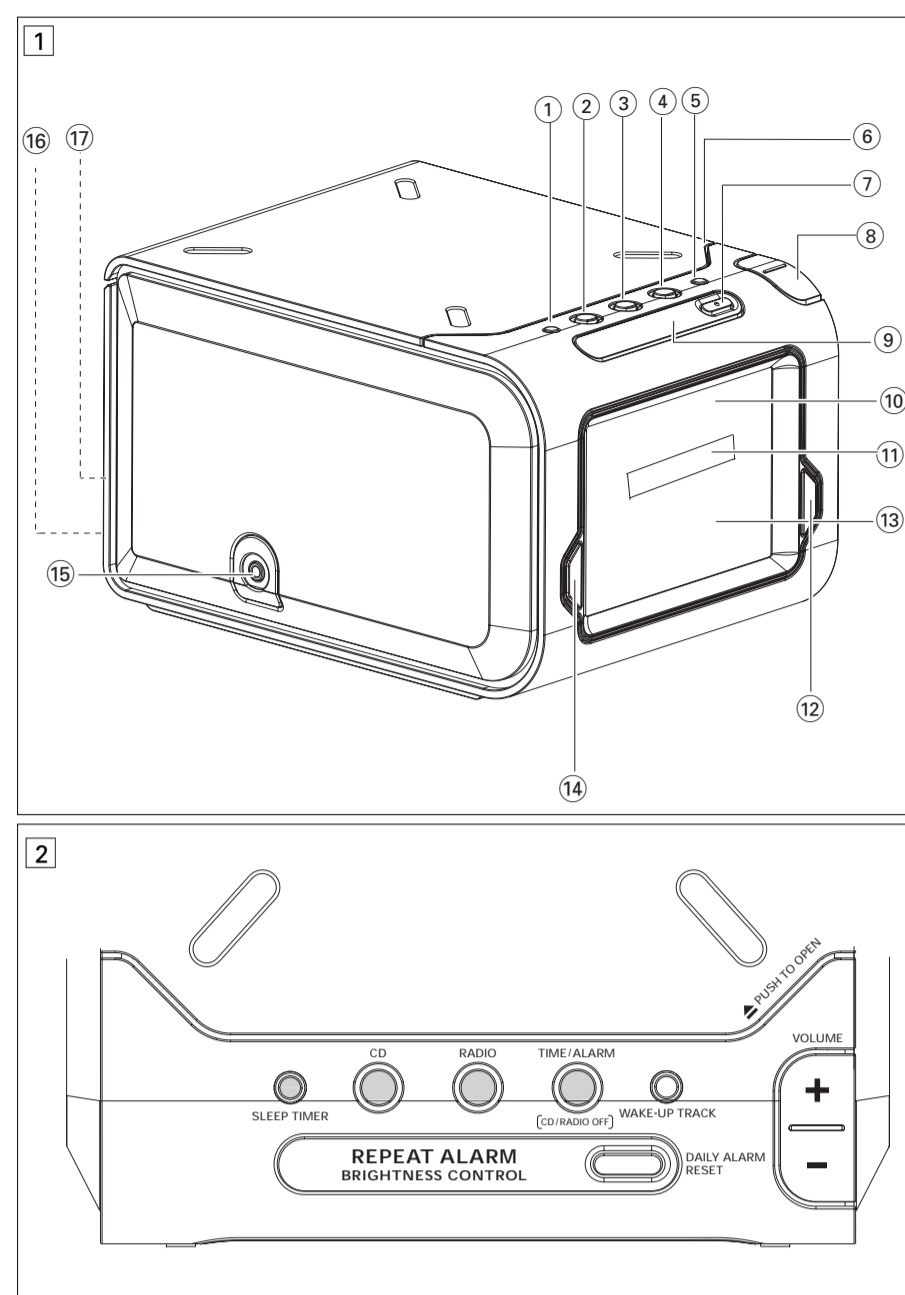
AJ3980



Meet Philips at the Internet
<http://www.philips.com>



Printed in China



English

CONTROLS (see figure 1)

- SLEEP TIMER** - adjusts timer options for CD / radio switches CD / radio on.
- CD** - starts CD playback
- RADIO** - switches on radio
- TIME / ALARM** - switches off the alarm for a 9 minute period - selects clock display
- WAKE-UP TRACK** - programs your favorite CD track for wake-up track alarm.
- DAILY ALARM RESET** - stops the active alarm for 24 hours
- + / - VOLUME** - adjusts the volume
- REPEAT ALARM BRIGHTNESS CONTROL** - switches off the alarm for a 9 minute period - switches off timer function - changes the brightness of the display window

Main display

- shows clock time and function status
- shows radio frequency and CD track number briefly when respective function is in use

Alarm time display

- shows the alarm time and the chosen alarm activated.
- CD (AL 1 TIME), radio / buzzer (AL 2 TIME)

ALARM 2

- selects radio / buzzer alarm
- switches radio / buzzer alarm on / off

Touch Screen Controls

Click controls shown in standby mode. The radio / CD controls appear when the radio / CD is switched on.

SET AL 1 - sets CD alarm time
 HOUR - adjusts hour setting
 TIME SET - sets clock time
 MINUTE - adjusts minute setting
 SET AL 2 - sets radio / buzzer alarm

CONTROLS/ INSTALLATION

SETTING THE CLOCK AND ALARM TIMES

MEMORY BACKUP

SETTING THE ALARM TIME

CONNECTING HEADPHONES

DISPLAY BRIGHTNESS

AC Power Supply

INSTALLATION (see figure 2)

AC Power Supply

SETTING THE CLOCK TIME (see figure 3)

ALARM 1

ALARM 2

GENERAL

Return your Warranty Registration card today to ensure you receive all the benefits you're entitled to

- Once your Philips purchase is registered, you're eligible to receive all the privileges of owning a Philips product.
- So complete and return the Warranty Registration Card enclosed with your purchase at once, and take advantage of these important benefits.

Warranty Verification

Owner Confirmation

Model Registration

Know these safety symbols

CAUTION

WARNING: TO PREVENT FIRE OR SHOCK HAZARD, DO NOT EXPOSE THIS EQUIPMENT TO RAIN OR MOISTURE.

CAUTION: To prevent electric shock, match wide blade of plug to wide slot, and fully insert.

For Customer Use

Model No.

Serial No.

WARNING: TO PREVENT FIRE OR SHOCK HAZARD, DO NOT EXPOSE THIS EQUIPMENT TO RAIN OR MOISTURE.

CAUTION: To prevent electric shock, match wide blade of plug to wide slot, and fully insert.

This product complies with the FCC-Rules, Part 15 and with 21 CFR 1040.10. Operation is subject to the following two conditions:
 1. This device may not cause harmful interference, and
 2. This device must accept any interference received, including interference that may cause undesired operation.

L'appareil répond aux normes FCC, Part 15 et 21 CFR 1040.10. Fonctionnement soumis aux deux conditions suivantes:
 1. Cet appareil ne doit pas provoquer d'interférences nuisibles, et
 2. Cet appareil doit accepter toute interférence reçue, y compris les interférences susceptibles de provoquer un fonctionnement peu satisfaisant.

El aparato cumple las normas FCC, Parte 15 y 21 CFR 1040.10. Funcionamiento dependiente de dos condiciones siguientes:
 1. Este aparato no puede provocar interferencia dañina, y
 2. Este aparato debe aceptar cualquier interferencia recibida, incluyendo las interferencias que pueden provocar un funcionamiento insuficiente.

Canada
 English:
 This digital apparatus does not exceed the Class B limits for radio noise emissions from digital apparatus as set out in the Radio Interference Regulations of the Canadian Communications.
 Français:
 Cet appareil numérique n'émet pas de bruits radioélectriques dépassant les limites applicables aux appareils numériques de Classe B prescrites dans le Règlement sur le Bruitage Radioélectrique édicté par le Ministère des Communications du Canada.

TIME

ALARM

CD

CD / RADIO

SLEEP TIMER

IMPORTANT SAFETY INSTRUCTIONS

- Read these instructions.
- Keep these instructions.
- Heed all warnings.
- Follow all instructions.
- Do not use this apparatus near water.
- Clean only with dry cloth.
- Do not block any ventilation openings. Install in accordance with the manufacturer's instructions.
- Do not install near any heat sources such as radiators, heat registers, stoves, or other apparatus (including amplifiers) that produce heat.
- Do not defeat the safety purpose of the polarized or grounding-type plug. A polarized plug has two blades with one wider than the other. A grounding type plug has two blades and a third grounding prong. The wide blade or the third prong are provided for your safety. If the provided plug does not fit into your outlet, consult an electrician for replacement of the obsolete outlet.
- Protect the power cord from being walked on or pinched, particularly at plugs, convenience receptacles, and the point where they exit from the apparatus.
- Only use attachments/accessories specified by the manufacturer.
- Use only with the cart, stand, tripod, bracket, or table specified by the manufacturer or sold with the apparatus. When a cart is used, use caution when moving the cart/apparatus combination to avoid injury from tip-over.
- Unplug this apparatus during lightning storms or when unused for long periods of time.
- Refer all servicing to qualified service personnel. Servicing is required when the apparatus has been damaged in any way such as power-supply cord or plug is damaged, liquid has been spilled or objects have fallen into the apparatus, the apparatus has been exposed to rain or moisture, does not operate normally or has been dropped.
- Battery usage CAUTION - To prevent battery leakage which may result in bodily injury, property damage, or damage to the unit:
 - Install all batteries correctly + and - as marked on the unit.
 - Do not mix batteries (old and new or carbon and alkaline, etc.)
 - Remove batteries when the unit is not used for a long time.

EL 6475-E004: 02/B

ALARM

CD

CD / RADIO

SLEEP TIMER

IMPORTANT SAFETY INSTRUCTIONS

- Read these instructions.
- Keep these instructions.
- Heed all warnings.
- Follow all instructions.
- Do not use this apparatus near water.
- Clean only with dry cloth.
- Do not block any ventilation openings. Install in accordance with the manufacturer's instructions.
- Do not install near any heat sources such as radiators, heat registers, stoves, or other apparatus (including amplifiers) that produce heat.
- Do not defeat the safety purpose of the polarized or grounding-type plug. A polarized plug has two blades with one wider than the other. A grounding type plug has two blades and a third grounding prong. The wide blade or the third prong are provided for your safety. If the provided plug does not fit into your outlet, consult an electrician for replacement of the obsolete outlet.
- Protect the power cord from being walked on or pinched, particularly at plugs, convenience receptacles, and the point where they exit from the apparatus.
- Only use attachments/accessories specified by the manufacturer.
- Use only with the cart, stand, tripod, bracket, or table specified by the manufacturer or sold with the apparatus. When a cart is used, use caution when moving the cart/apparatus combination to avoid injury from tip-over.
- Unplug this apparatus during lightning storms or when unused for long periods of time.
- Refer all servicing to qualified service personnel. Servicing is required when the apparatus has been damaged in any way such as power-supply cord or plug is damaged, liquid has been spilled or objects have fallen into the apparatus, the apparatus has been exposed to rain or moisture, does not operate normally or has been dropped.
- Battery usage CAUTION - To prevent battery leakage which may result in bodily injury, property damage, or damage to the unit:
 - Install all batteries correctly + and - as marked on the unit.
 - Do not mix batteries (old and new or carbon and alkaline, etc.)
 - Remove batteries when the unit is not used for a long time.

EL 6475-E004: 02/B

SLEEP TIMER

CD

RADIO

MAINTENANCE

TROUBLESHOOTING

LIMITED WARRANTY

PORTABLE AUDIO

This product must be carried in for an exchange.

WHO IS COVERED?

You must have proof of purchase to exchange the product. A sales receipt or other document showing that you purchased the product is considered proof of purchase. Attach it to this owner's manual and keep both nearby.

WHAT IS COVERED?

Warranty coverage begins the day you buy your product. For one year thereafter, a defective or inoperative product will be replaced with a new, renewed or comparable product at no charge to you. A replacement product is covered only for the original warranty period. When the warranty on the original product expires, the warranty on the replacement product also expires.

WHAT IS EXCLUDED?

Your warranty does not cover:

- labor charges for installation or setup of the product, adjustment of customer controls on the product, and installation or repair of antenna systems outside of the product;
- product repair and/or part replacement because of misuse, accident, unauthorized repair or other cause not within the control of Philips;
- a product that requires modification or adaptation to enable it to operate in any country other than the country for which it was designed, manufactured, approved and/or authorized for repair of products damaged by these modifications;
- incidental or consequential damages resulting from the product. Some states do not allow the exclusion of incidental or consequential damages, so the above exclusion may not apply to you. This includes, but is not limited to, pre-recorded material, whether copyright or not copyrighted;
- a product used for commercial or institutional purposes.

WHERE IS EXCHANGE AVAILABLE?

You may exchange the product in all countries where the product is officially distributed by Philips. In countries where Philips does not distribute the product, the local Philips service organization will attempt to provide a replacement product (although there may be a delay if the appropriate product is not readily available).

PHILIPS EXCHANGE PROGRAM

Philips Exchange Program
 406 North Irish Street
 Greenville TN 37745

(In U.S.A., Puerto Rico, and U.S. Virgin Islands, all limited warranties, including implied warranties of merchantability and fitness for a particular purpose, are limited in duration to the duration of this express warranty. But because some states do not allow limitations on how long an implied warranty may last, this limitation may not apply to you.)

EXCHANGING A PRODUCT IN CANADA...

Please contact Philips at:
 1-800-661-6162 (French Speaking)
 1-800-531-0039 (English or Spanish Speaking)

(In Canada, this warranty is given in lieu of all other warranties. No other warranties are expressed or implied, including any implied warranties of merchantability or fitness for a particular purpose. Repairs or replacement of products damaged by these modifications, including any implied warranties of merchantability or fitness for a particular purpose, are limited in duration to the duration of this express warranty. But because some states do not allow limitations on how long an implied warranty may last, this limitation may not apply to you.)

REMEMBER...

Please record below the model and serial numbers found on the product. Also, please fill out and mail your warranty registration card promptly. It will be easier for us to notify you if necessary.

MODEL # _____
 SERIAL # _____

LIMITED WARRANTY

PORTABLE AUDIO

This product must be carried in for an exchange.

WHO IS COVERED?

You must have proof of purchase to exchange the product. A sales receipt or other document showing that you purchased the product is considered proof of purchase. Attach it to this owner's manual and keep both nearby.

WHAT IS COVERED?

Warranty coverage begins the day you buy your product. For one year thereafter, a defective or inoperative product will be replaced with a new, renewed or comparable product at no charge to you. A replacement product is covered only for the original warranty period. When the warranty on the original product expires, the warranty on the replacement product also expires.

WHAT IS EXCLUDED?

Your warranty does not cover:

- labor charges for installation or setup of the product, adjustment of customer controls on the product, and installation or repair of antenna systems outside of the product;
- product repair and/or part replacement because of misuse, accident, unauthorized repair or other cause not within the control of Philips;
- a product that requires modification or adaptation to enable it to operate in any country other than the country for which it was designed, manufactured, approved and/or authorized for repair of products damaged by these modifications;
- incidental or consequential damages resulting from the product. Some states do not allow the exclusion of incidental or consequential damages, so the above exclusion may not apply to you. This includes, but is not limited to, pre-recorded material, whether copyright or not copyrighted;
- a product used for commercial or institutional purposes.

WHERE IS EXCHANGE AVAILABLE?

You may exchange the product in all countries where the product is officially distributed by Philips. In countries where Philips does not distribute the product, the local Philips service organization will attempt to provide a replacement product (although there may be a delay if the appropriate product is not readily available).

PHILIPS EXCHANGE PROGRAM

Philips Exchange Program
 406 North Irish Street
 Greenville TN 37745

(In U.S.A., Puerto Rico, and U.S. Virgin Islands, all limited warranties, including implied warranties of merchantability and fitness for a particular purpose, are limited in duration to the duration of this express warranty. But because some states do not allow limitations on how long an implied warranty may last, this limitation may not apply to you.)

EXCHANGING A PRODUCT IN CANADA...

Please contact Philips at:
 1-800-661-6162 (French Speaking)
 1-800-531-0039 (English or Spanish Speaking)

(In Canada, this warranty is given in lieu of all other warranties. No other warranties are expressed or implied, including any implied warranties of merchantability or fitness for a particular purpose. Repairs or replacement of products damaged by these modifications, including any implied warranties of merchantability or fitness for a particular purpose, are limited in duration to the duration of this express warranty. But because some states do not allow limitations on how long an implied warranty may last, this limitation may not apply to you.)

REMEMBER...

Please record below the model and serial numbers found on the product. Also, please fill out and mail your warranty registration card promptly. It will be easier for us to notify you if necessary.

MODEL # _____
 SERIAL # _____

Free Manuals Download Website

<http://myh66.com>

<http://usermanuals.us>

<http://www.somanuals.com>

<http://www.4manuals.cc>

<http://www.manual-lib.com>

<http://www.404manual.com>

<http://www.luxmanual.com>

<http://aubethermostatmanual.com>

Golf course search by state

<http://golfingnear.com>

Email search by domain

<http://emailbydomain.com>

Auto manuals search

<http://auto.somanuals.com>

TV manuals search

<http://tv.somanuals.com>