

Always there to help you

Register your product and get support at
www.philips.com/welcome



AJ6200D(White)
AJ6200DB(Black)



User manual

PHILIPS

Contents

1	Important	3
----------	------------------	----------

2	Your clock radio	3
	What's in the box	3
	Overview of the main unit	4

3	Get started	5
	Connect power	5
	Set time	6
	Turn on	6

4	Play from iPod/iPhone	7
	Compatible iPod/iPhone	7
	Listen to audio from iPod/iPhone	7
	Charge the iPod/iPhone	7
	Adjust volume	7

5	Listen to FM radio	8
	Tune to FM radio stations	8
	Store FM radio stations automatically	8
	Store FM radio stations manually	8
	Select a preset radio station	9

6	Other features	9
	Set alarm timer	9
	Set sleep timer	10
	Play audio from an external device	10
	Adjust display brightness	11

7	Product information	11
	Specifications	11

8	Troubleshooting	12
----------	------------------------	-----------

9	Notice	12
----------	---------------	-----------

1 Important

Warning

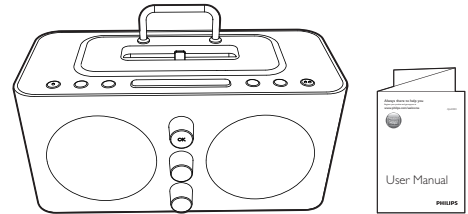
- Never remove the casing of this clock radio.
- Never lubricate any part of this clock radio.
- Never place this clock radio on other electrical equipment.
- Keep this clock radio away from direct sunlight, naked flames or heat.
- Make sure that you always have easy access to the power cord, plug or adaptor to disconnect the clock radio from the power.

- Make sure that there is enough free space around the product for ventilation.
- The clock radio shall not be exposed to dripping or splashing.
- Do not place any sources of danger on the clock radio (e.g. liquid filled objects, lighted candles).
- Where the plug of the Direct Plug-in Adapter is used as the disconnect device, the disconnect device shall remain readily operable.
- Only use power supplies listed in the user manual.
- Battery usage **CAUTION** – To prevent battery leakage which may result in bodily injury, property damage, or damage to the unit:
 - Install all batteries correctly, + and - as marked on the unit.
 - Do not mix batteries (old and new or carbon and alkaline, etc.).
 - Remove batteries when the unit is not used for a long time.
 - The batteries should not be exposed to excessive heat such as sunshine fire or the like.

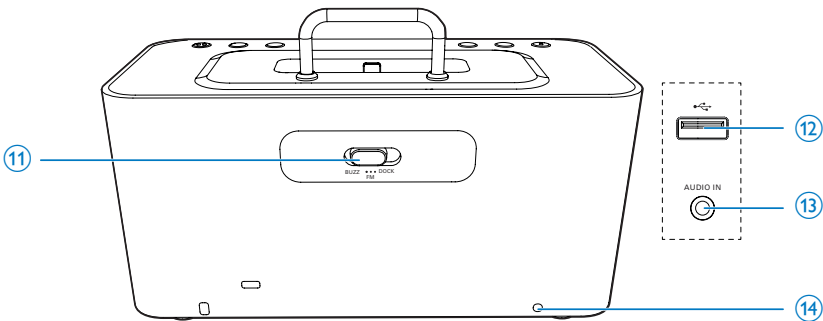
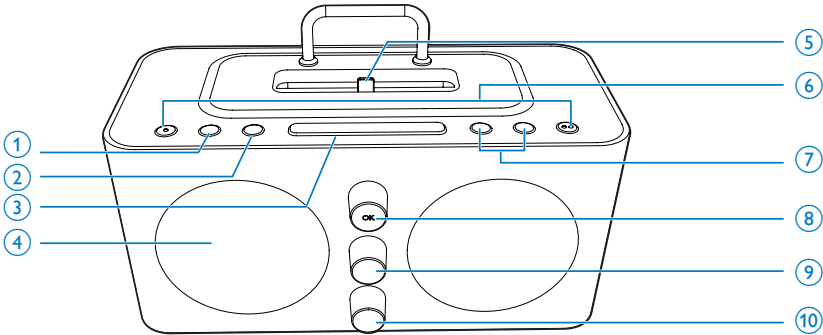
2 Your clock radio

Congratulations on your purchase, and welcome to Philips! To fully benefit from the support that Philips offers, register your product at www.philips.com/welcome.

What's in the box



Overview of the main unit



① SOURCE

- Press to select a source.(DOCK/FM/AUDIO IN)
- Press and hold for 3 seconds to switch to standby mode.

② SLEEP

- Set sleep timer.

③ SNOOZE/BRIGHTNESS

- Snooze alarm.
- Adjust display brightness.

④ Display panel

- Show current information.

⑤ Dock for iPod/iPhone

⑥ AL1/AL2

- View alarm settings.
- Activate or deactivate alarm timer.

⑦ VOLUME +/-

- Adjust volume.

⑧ First Knob (HOUR/PRESET)

- Adjust hour.
- Select a preset radio station.

⑨ Second Knob (MINUTE/TUNING)

- Adjust minute.
- Tune to an FM radio station.
- Skip to the previous or next track.

- ⑩ **Third Knob (SET TIME/SET RADIO/CLOCK/SET AL1/SET AL2)**
 - Set time.
 - Scan/store FM radio stations.
 - Set alarm.
- ⑪ **BUZZ/FM/DOCK**
 - Select an alarm source for Alarm 1 and Alarm 2.
- ⑫ **⚡ (5.0V --- 1 A)**
 - Charge your iPod/iPhone through USB cable (not included).
- ⑬ **AUDIO IN**
 - Connect an external audio device.
- ⑭ **FM ANT**
 - Improve FM reception.

3 Get started

Always follow the instructions in this chapter in sequence.

Connect power

The unit uses AC power supply. Batteries are used for alarm backup purpose only.

AC power



Warning

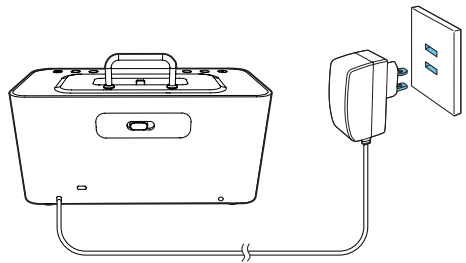
- Risk of product damage! Make sure that the power supply voltage corresponds to the voltage printed on the back or the underside of the unit.
- Risk of electric shock! When you disconnect the AC power, always pull the plug from the socket. Never pull the cord.

Connect the AC power cord to the wall socket.



Tip

- To save energy, turn the unit off after use.



Battery power



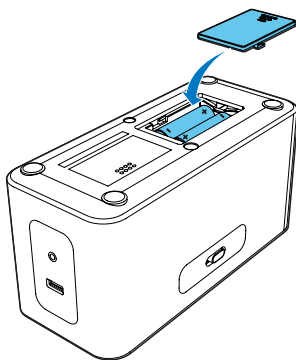
Caution

- Batteries contain chemical substances, so they should be disposed of properly.

Note

- Batteries are not supplied with the accessories.
- **bAt** shows on the display when the battery level is low.

- 1 Open the battery compartment.
- 2 Insert 2 batteries (type: 1.5V LR6/AA) with correct polarity (+/-) as indicated.
- 3 Close the battery compartment.



Set time

- 1 Rotate the **Third Knob** to "**SET TIME**" to activate clock setting mode.
↳ Hour and minute digits blinks.
- 2 Rotate the **First Knob** to adjust the hour.
- 3 Rotate the **Second Knob** to adjust the minute.

- 4 Press **OK** on the **First Knob** to confirm.
↳ The setting time is displayed.
- 5 Rotate the **Third Knob** to **CLOCK** after setting.
↳ The hour and minute digits stops blinking.

Note

- When an iPod/iPhone is connected, the clock radio synchronizes time from the iPod/iPhone automatically.

Turn on

The clock radio turns on automatically once your plugged in.

Switch to standby mode

Press **SOURCE** for 3 seconds to switch to standby mode.

- ↳ The source indicator on the display panel turns off.

4 Play from iPod/iPhone

You can enjoy audio from iPod/iPhone through this clock radio.

Compatible iPod/iPhone

The clock radio supports these iPod and iPhone models:

Made for:


- iPod touch (5th generation)
- iPod nano (7th generation)
- iPhone 5

Listen to audio from iPod/iPhone



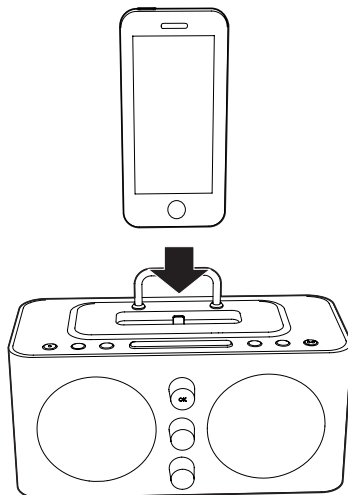
Note

- Make sure that the **Third Knob** switched to **CLOCK** before setting.

- 1 Place the iPod/iPhone in the dock.
- 2 Press **SOURCE** repeatedly to select iPod/iPhone mode.
↳ The  on the display panel lights up.
- 3 Play audio on the iPod/iPhone.
- 4 Rotate the **Second Knob** to select previous or next track.

To remove the iPod/iPhone:

Pull the iPod/iPhone out of the dock.



Charge the iPod/iPhone

When the clock radio is connected to power, the docked iPod/iPhone starts charging.

Adjust volume

You can adjust volume by pressing **VOLUME +/-** repeatedly.

5 Listen to FM radio


Tune to FM radio stations

Tip

- Position the antenna as far as possible from TV, VCR, or other radiation source.
- For better reception, fully extend and adjust the position of the antenna.

Note

- Make sure that the **Third Knob** switched to **CLOCK** before setting.

- 1 Press **SOURCE** repeatedly to select FM tuner source.
↳  on the display panel lights up.
- 2 Rotate and hold the **Second Knob** for two seconds.
↳ The clock radio tunes to a station with strong reception automatically.
- 3 Repeat step 2 to tune in to more radio stations.


To tune to a station manually:

Rotate the **Second Knob** repeatedly until you find optimal reception.


Store FM radio stations automatically

Note

- You can store a maximum of 20 FM radio stations.

- 1 In **FM** mode, rotate the **Third knob** to **SET RADIO**.
↳  begins to blink.
- 2 Press and hold **OK** on the **First Knob** for three seconds.
↳ The clock radio stores all the available FM radio stations, and broadcasts the first available station automatically.

Store FM radio stations manually

- 1 In **FM** mode, rotate the **Third Knob** to **SET RADIO**.
↳  begins to blink.
- 2 Rotate and hold the **Second Knob** for two seconds.
↳ The last selected channel is displayed on the display panel.
- 3 Rotate the **First Knob** again to select the target preset position.
- 4 Press **OK** on the **First Knob** to confirm.
- 5 Repeat steps 2-4 to store other stations.


Note

- To remove a pre-stored station, store another station in its place.

Select a preset radio station

Note

- Make sure that the **Third Knob** switched to **CLOCK** before setting.

- 1 Press **SOURCE** repeatedly to select FM tuner source.
↳  on the display lights up.
- 2 Rotate the **First Knob** repeatedly to select a preset radio station.



6 Other features

Set alarm timer

In standby mode, you can set two alarms to ring at different time.

Note

- Make sure that you have set the clock correctly.

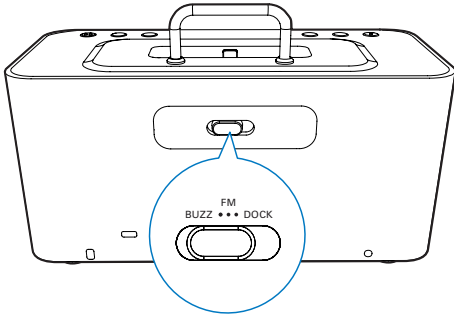
- 1 Rotate the **Third Knob** to **SET AL1** or **SET AL2** to activate alarm setting mode.
↳ The  /  and time digits blink.
- 2 Rotate the **First Knob** to adjust the hour.
- 3 Rotate the **Second Knob** to adjust the minute.
- 4 Press **OK** on **First Knob** to confirm.
- 5 Rotate the **Third Knob** to **CLOCK** after setting.

Select alarm source

For alarm sound, you can select buzzer; your last listened radio station, or the last played audio on your iPod/iPhone.

Tip

- If **DOCK** is selected as the alarm source, yet the audio cannot be played, buzzer will sound when alarm time comes.
- If **FM** is selected as the alarm source and the **DOCK** is playing under **FM** mode, buzzer will sound when alarm time comes.



Activate/deactivate alarm timer

Note

- Make sure that the **Third Knob** switched to **CLOCK** before setting.

- 1 Press **AL1/AL2** to view alarm settings.
↳ The **⌚ / ⌚** lights up.
- 2 Press **AL1/AL2** again to activate or deactivate the alarm timer.
↳ The **⌚ / ⌚** appears if alarm timer is on and disappears if it is off.
 - To stop the ringing alarm, press the corresponding **AL1/AL2**.
 - ↳ The alarm repeats ringing for the next day.

Snooze the alarm

When alarm sounds, press **SNOOZE**.

- ↳ The alarm snoozes and repeats ringing nine minutes later.

Set sleep timer

Note

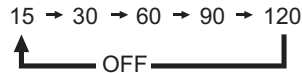
- Make sure that the **Third Knob** switched to **CLOCK** before setting.

This clock radio can switch to standby mode automatically after a preset period.

- Press **SLEEP** repeatedly to select the sleep timer period (in minutes).
↳ When the sleep timer is activated, **zZ** appears.

To deactivate the sleep timer:

- Press **SLEEP** repeatedly until **[OFF]** (off) appears.



Play audio from an external device

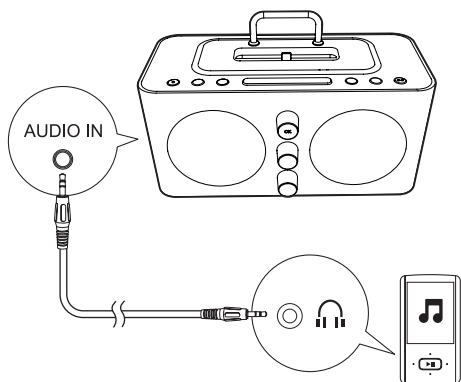
Note

- Make sure that the **Third Knob** switched to **CLOCK** before setting.

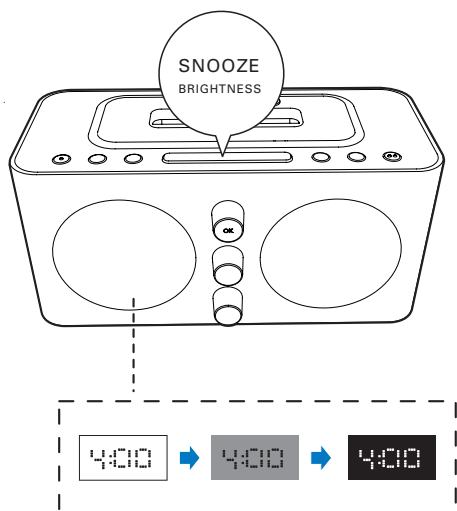
You can listen to audio from an external device through this clock radio.

- 1 Connect an audio cable to:
 - the **AUDIO IN** socket on the clock radio.
 - the headphone socket on an external device.
- 2 Press **SOURCE** repeatedly to select the Audio-in source.
↳ The **🎧** on the display panel lights up.
- 3 Play the external device (refer to its user manual).

7 Product information



Adjust display brightness



Note

- Product information is subject to change without prior notice.

Specifications

Amplifier

Rated Output Power 5W RMS

Tuner

Tuning Range	FM: 87.5 - 108 MHz
Sensitivity	FM: <22 dBf
- Mono, 26dB S/N Ratio	
Search Selectivity	FM: <30 dBf
Total Harmonic Distortion	FM: <3%
Signal to Noise Ratio	FM: >50 dBA

General information

AC Power	Model: AS190-090-AD160; Input: 100-240 V ~, 50/60Hz, 0.6A; Output: 9.0V = 1600 mA
Operation Power Consumption	<15 W
Standby Power Consumption	<1 W
Dimensions - Main Unit (W x H x D)	195 x 99 x 113 mm
Weight - Main Unit	0.79 kg

8 Troubleshooting

9 Notice

Warning

- Never remove the casing of this device.

To keep the warranty valid, never try to repair the system yourself.

If you encounter problems when using this device, check the following points before requesting service. If the problem remains unsolved, go to the Philips Web page (www.philips.com/support). When you contact Philips, make sure that the device is nearby and the model number and serial number are available.

No power

- Ensure that the power cord is connected securely.
- Ensure that there is power at the power supply socket.
- Ensure that the batteries are installed correctly.

No response from the clock radio

- Disconnect and reconnect the AC power plug, then turn on the clock radio again.

Poor radio reception

- Keep the clock radio away from other electronic devices to avoid radio interference.
- Fully extend and adjust the position of the FM antenna.

Alarm does not work

- Set the clock/alarm correctly.

Clock/alarm setting erased

- Power has been interrupted or the power plug has been disconnected.
- Reset the clock/alarm.

Any changes or modifications made to this device that are not expressly approved by WOOX Innovations may void the user's authority to operate the equipment.



Your product is designed and manufactured with high quality materials and components, which can be recycled and reused.



When this crossed-out wheeled bin symbol is attached to a product it means that the product is covered by the European Directive 2002/96/EC.

Please inform yourself about the local separate collection system for electrical and electronic products.

Please act according to your local rules and do not dispose of your old products with your normal household waste. Correct disposal of your old product helps to prevent potential negative consequences for the environment and human health.



Your product contains batteries covered by the European Directive 2006/66/EC, which cannot be disposed with normal household waste. Please inform yourself about the local rules on separate collection of batteries because correct disposal helps to prevent negative consequences for the environmental and human health.

Environmental information

All unnecessary packaging has been omitted. We have tried to make the packaging easy to

separate into three materials: cardboard (box), polystyrene foam (buffer) and polyethylene (bags, protective foam sheet.)

Your system consists of materials which can be recycled and reused if disassembled by a specialized company. Please observe the local regulations regarding the disposal of packaging materials, exhausted batteries and old equipment.



“Made for iPod” and “Made for iPhone” mean that an electronic accessory has been designed to connect specifically to iPod or iPhone respectively, and has been certified by the developer to meet Apple performance standards. Apple is not responsible for the operation of this device or its compliance with safety and regulatory standards. Please note that the use of this accessory with iPod or iPhone may affect wireless performance. iPod and iPhone are trademarks of Apple Inc., registered in the U.S. and other countries.

Note

- The type plate is located on the bottom of the apparatus.



Specifications are subject to change without notice
2014 © WOOX Innovations Limited.

All rights reserved.

Philips and the Philips' Shield Emblem are registered
trademarks of Koninklijke Philips N.V. and are used by WOOX
Innovations Limited under license from Koninklijke Philips N.V.

AJ6200D_AJ6200DB_98_UM_V3.0



Free Manuals Download Website

<http://myh66.com>

<http://usermanuals.us>

<http://www.somanuals.com>

<http://www.4manuals.cc>

<http://www.manual-lib.com>

<http://www.404manual.com>

<http://www.luxmanual.com>

<http://aubethermostatmanual.com>

Golf course search by state

<http://golfingnear.com>

Email search by domain

<http://emailbydomain.com>

Auto manuals search

<http://auto.somanuals.com>

TV manuals search

<http://tv.somanuals.com>