

Register your product and get support at
www.philips.com/welcome

HTS7111



EN **User manual**

DA **Brugervejledning**

DE **Benutzerhandbuch**

EL **Εγχειρίδιο χρήσης**

ES **Manual del usuario**

FI **Käyttöopas**

FR **Mode d'emploi**

IT **Manuale utente**

NL **Gebruiksaanwijzing**

NO **Brukerhåndbok**

PT **Manual do utilizador**

SV **Användarhandbok**

TR **Kullanım kılavuzu**

PHILIPS

Contents

1	Help and support	4
	Tutorials	4
	FAQs	4
	Contact Philips	4
2	Notice	4
	Compliance	4
	Mains fuse	4
	Trademarks	5
3	Important	5
	Safety	5
	Care for your product	6
	Care of the environment	6
4	Your SoundBar	7
	Main unit	7
	Remote control	7
5	Connect your SoundBar	9
	Subwoofer	9
	Connectors	9
	Connect to TV	10
	Connect to other devices through HDMI	11
	Connect audio from TV and other devices	12
	Listen to a connected device	13
6	Use your SoundBar	14
	Choose your sound	14
	MP3 player	15
	iPod or iPhone	15
	EasyLink	16
7	Change settings	18
	Setup menu options and settings	18
	Apply factory settings	19
8	Wall mount and stand	19
	Wall mount	19
	Stand for SoundBar and TV - STS1100/ STS1300	20
9	Product specifications	20
10	Troubleshooting	21

1 Help and support

Watch video tutorials and find answers to many frequently answered questions (FAQs) on your product at www.philips.com.

Tutorials

To set up your SoundBar and get additional information, refer to the video tutorials at www.philips.com/support.

FAQs

If you have a problem, refer to the frequently asked questions (FAQs) for this SoundBar at www.philips.com/support.

If you still need help, contact Philips Consumer Care in your country.



Warning

- Do not attempt to repair your SoundBar yourself. This may cause severe injury, irreparable damage to your SoundBar, or void your warranty.

Contact Philips

If you contact Philips, you will be asked for the model and serial number of your product. The model number and serial number are on the back or bottom of your product. Note the numbers before you call Philips:

Model No. _____

Serial No. _____

2 Notice

This section contains the legal and trademark notices.

Compliance



This product is in compliance with the essential requirements and other relevant provisions of Directives 2006/95/EC (Low Voltage), 2004/108/EC (EMC).

Mains fuse

This information applies only to products with a UK mains plug.

This product is fitted with an approved molded plug. If you replace the fuse, use one with:

- the ratings shown on the plug,
- a BS 1362 approval, and
- the ASTA approval mark.

Contact your dealer if you are not sure about what type of fuse to use.

Caution: To conform with the EMC directive (2004/108/EC), do not detach the plug from the power cord.

Trademarks



Manufactured under license under U.S. Patent #'s: 5,451,942; 5,956,674; 5,974,380; 5,978,762; 6,487,535 & other U.S. and worldwide patents issued & pending. DTS and the Symbol are registered trademarks & DTS Digital Surround and the DTS logos are trademarks of DTS, Inc. Product includes software. © DTS, Inc. All Rights Reserved.



Manufactured under license from Dolby Laboratories. Dolby, Pro Logic, and the double-D symbol are trademarks of Dolby Laboratories.



HDMI, the HDMI logo, and High-Definition Multimedia Interface are trademarks or registered trademarks of HDMI licensing LLC in the United States and other countries.

3 Important

Read and understand all instructions before you use your SoundBar. If damage is caused by failure to follow instructions, the warranty does not apply.

Safety

Risk of electric shock or fire!

- Never expose the product and accessories to rain or water. Never place liquid containers, such as vases, near the product. If liquids are spilt on or into the product, disconnect it from the power outlet immediately. Contact Philips Consumer Care to have the product checked before use.
- Never place the product and accessories near naked flames or other heat sources, including direct sunlight.
- Never insert objects into the ventilation slots or other openings on the product.
- Where the mains plug or an appliance coupler is used as the disconnect device, the disconnect device shall remain readily operable.
- Disconnect the product from the power outlet before lightning storms.
- When you disconnect the power cord, always pull the plug, never the cable.

Risk of short circuit or fire!

- Before you connect the product to the power outlet, ensure that the power voltage matches the value printed on the back or bottom of the product. Never connect the product to the power outlet if the voltage is different.

Risk of injury or damage to the SoundBar!

- For wall-mountable products, use only the supplied wall mount bracket. Secure the wall mount to a wall that can support the combined weight of the product and the wall mount. Koninklijke Philips Electronics N.V. bears no responsibility for improper wall mounting that results in accident, injury or damage.
- Never place the product or any objects on power cords or on other electrical equipment.

- If the product is transported in temperatures below 5°C, unpack the product and wait until its temperature matches room temperature before connecting it to the power outlet.
- Parts of this product can be made of glass. Handle with care to avoid injury and damage.

Risk of overheating!

- Never install this product in a confined space. Always leave a space of at least four inches around the product for ventilation. Ensure curtains or other objects never cover the ventilation slots on the product.

Risk of contamination!

- Do not mix batteries (old and new or carbon and alkaline, etc.).
- Remove batteries if they are exhausted or if the remote control is not to be used for a long time.
- Batteries contain chemical substances, they should be disposed of properly.

Risk of swallowing batteries!

- The product/remote control may contain a coin type battery, which can be swallowed. Keep the battery out of reach of children at all times!

Care for your product

Use only microfiber cloth to clean the product.

Care of the environment



Your product is designed and manufactured with high quality materials and components, which can be recycled and reused.



When this crossed-out wheeled bin symbol is attached to a product it means that the product is covered by the European Directive 2002/96/EC. Please inform yourself about the local separate collection system for electrical and electronic products.

Please act according to your local rules and do not dispose of your old products with your normal household waste.

Correct disposal of your old product helps to prevent potential negative consequences for the environment and human health.



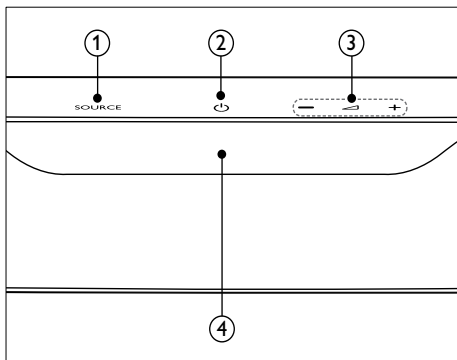
Your product contains batteries covered by the European Directive 2006/66/EC, which cannot be disposed with normal household waste.

Please inform yourself about the local rules on separate collection of batteries because correct disposal helps to prevent negative consequences for the environmental and human health.

4 Your SoundBar

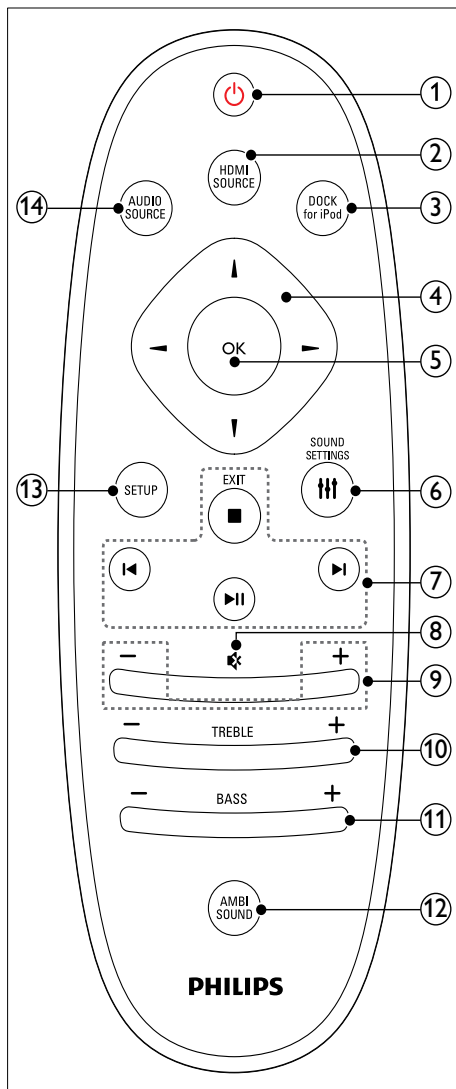
Congratulations on your purchase, and welcome to Philips! To fully benefit from the support that Philips offers, register your SoundBar at www.philips.com/welcome.

Main unit



- ① **SOURCE**
Select an audio source for the SoundBar.
- ② **⏻ (Standby-On)**
 - Switch the SoundBar on or to standby.
 - When the SoundBar is in standby, the standby indicator turns red.
- ③ **⏮ +/- (Volume)**
Increase or decrease volume.
- ④ **Display panel**

Remote control



- ① **⏻ (Standby-On)**
 - Switch the SoundBar on or to standby.
 - When EasyLink is enabled, press and hold for at least three seconds to switch all connected HDMI CEC compliant devices to standby.

- ② **HDMI SOURCE**
Switch your audio source to the HDMI connection.
- ③ **DOCK for iPod**
Switch to Philips dock for iPod or iPhone.
- ④ **Navigation buttons (◀/▶/▲/▼)**
Navigate menus.
- ⑤ **OK**
Confirm an entry or selection.
- ⑥ **⏸ SOUND SETTINGS**
Access or exit sound options.
- ⑦ **Dock for iPod/iPhone buttons**
 - **■ (Stop)/EXIT:** Stop play for iPod or iPhone, or exit the SoundBar setup menu.
 - **◀/▶ (Previous/Next):** Skip to the previous or next track or file. Press and hold to search backwards or forwards.
 - **▶|| (Play/Pause):** Start, pause, or resume play. Press and hold to switch off the iPod or iPhone.
 - **Navigation button (◀):** Return to the previous menu on the iPod or iPhone, or return to the previous SoundBar menu.
- ⑧ **🔇 (Mute)**
Mute or restore volume.
- ⑨ **+/- (Volume)**
Increase or decrease volume.
- ⑩ **TREBLE +/-**
Increase or decrease treble.
- ⑪ **BASS +/-**
Increase or decrease bass.
- ⑫ **AMBISOUND**
Select an Ambisound, auto or stereo mode.
- ⑬ **SETUP**
Access the setup menu.
- ⑭ **AUDIO SOURCE**
 - **OPTI IN:** Switch your audio source to the optical connection.
 - **COAX IN:** Switch your audio source to the coaxial connection.
 - **AUX:** Switch your audio source to the AUX connection.
 - **MUSIC iLINK:** Switch your audio source to the MUSIC iLINK connection.

EasyLink controls

With Easylink, you can control your SoundBar, TV and the connected devices with the standby button on your SoundBar remote control.

- **⏻ (Standby-On):** Press and hold to switch your SoundBar, TV, and the connected devices to standby.

5 Connect your SoundBar

This section helps you connect your SoundBar to a TV and other devices.

For information about the basic connections of your SoundBar and accessories, see the quick start guide. For a comprehensive interactive guide, see www.connectivityguide.philips.com.

Note

- For identification and supply ratings, refer to the type plate at the back or bottom of the product.
- Before you make or change any connections, make sure that all devices are disconnected from the power outlet.

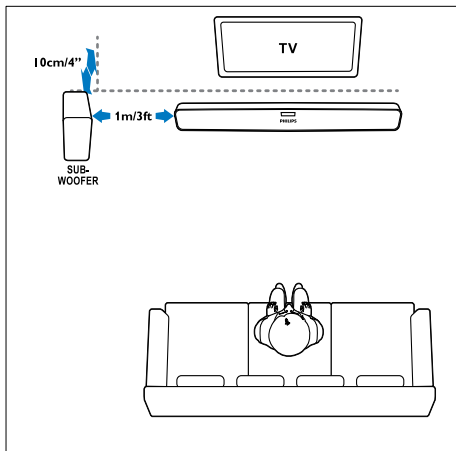
Subwoofer

Follow the steps below to position, connect, and set up your subwoofer.

Position

Place the subwoofer at least one meter (three feet) away from either to the left or right of your SoundBar, and ten centimeter away from the wall.

For best results, place your subwoofer as shown below.



Connect

Connect your subwoofer to your SoundBar as described in the quick start guide.

Setup

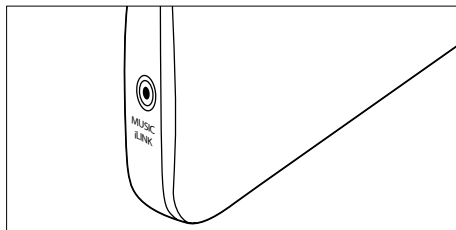
Set up your subwoofer through the setup menu.

- 1 Press **SETUP** repeatedly to select **SUBW VOL** on the display panel (see 'Setup menu options and settings' on page 18).
- 2 Press **OK**.
- 3 Press the **Navigation buttons** (▲/▼) to change the volume.
- 4 Press **OK** to confirm.
- 5 Press **EXIT** to exit the menu.

Connectors

Connect other devices to your SoundBar.

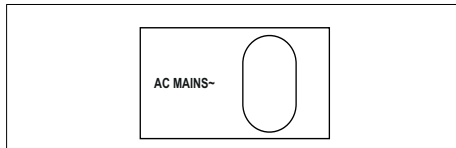
Side left



MUSIC iLINK

Audio input from an MP3 player.

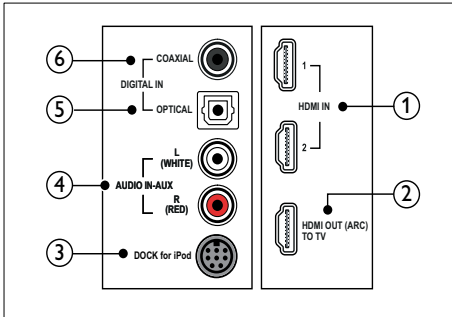
Rear left



AC MAINS~

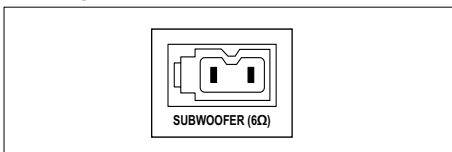
Connect to the power supply.

Rear center



- 1 HDMI IN 1/2**
Connect to the HDMI output on the audio devices.
- 2 TO TV-HDMI OUT (ARC)**
Connect to the HDMI input on the TV.
- 3 DOCK for iPod**
Connect to a Philips dock for iPod or iPhone. (Model: Philips DCK3060).
- 4 AUDIO IN-AUX**
Connect to an analog audio output on the TV or an analog device.
- 5 DIGITAL IN-OPTICAL**
Connect to an optical audio output on the TV or a digital device.
- 6 DIGITAL IN-COAXIAL**
Connect to a coaxial audio output on the TV or a digital device.

Rear right



SUBWOOFER

Connect to the supplied subwoofer.

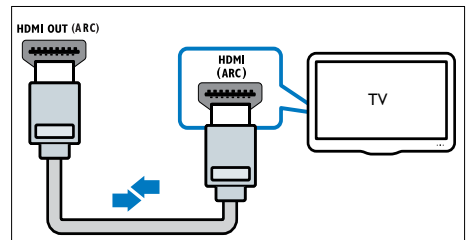
Connect to TV

Connect your SoundBar to a TV. You can listen to audio from TV programs through your SoundBar. Use the best quality connection available on your SoundBar and TV.

Option 1: Connect to TV through HDMI (ARC)

Your SoundBar supports HDMI version 1.4 - Audio Return Channel (ARC). If your TV is HDMI ARC compliant, connect your SoundBar to the TV through the HDMI ARC connection. With HDMI ARC, you do not need an additional audio cable to play audio from TV through your SoundBar.

- Using a High Speed HDMI cable, connect the **HDMI OUT (ARC)** connector on your SoundBar to the **HDMI ARC** connector on the TV.
The **HDMI ARC** connector on the TV might be labeled **HDMI IN** or **HDMI**. For details on TV connectors, see the TV user manual.

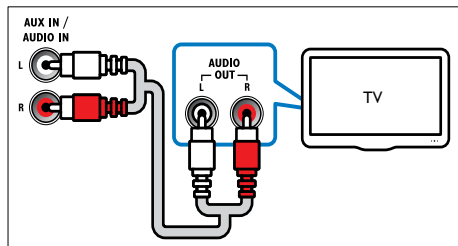


- On your TV, turn on HDMI-CEC. For details, see the TV user manual.
↳ The audio from the TV is automatically played on your Soundbar.
- If audio from the TV does not play automatically, select the correct video input on the TV.

Option 2: Connect to TV through an analog audio cable

If your TV does not have HDMI connectors, connect your SoundBar to the TV through an analog audio cable connection.

- 1 Using an analog cable, connect **AUX** connectors on your SoundBar to the audio connectors on the TV.

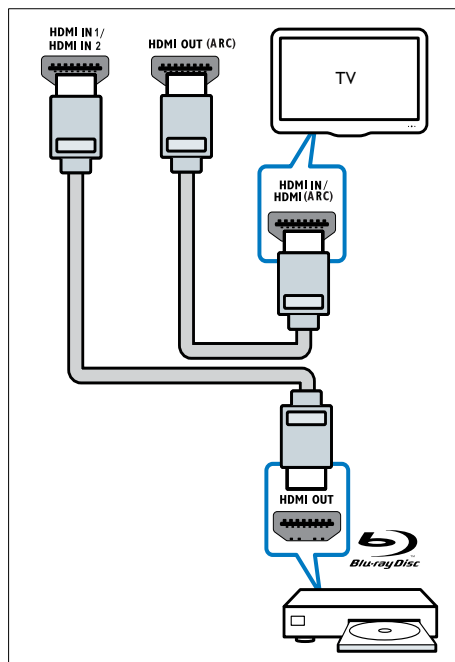


- 2 Select the correct video input on your TV.
- 3 Press **SOURCE** on the SoundBar repeatedly to select the correct audio input (see 'Listen to a connected device' on page 13).

Connect to other devices through HDMI

Connect digital devices directly to your SoundBar through an HDMI connection. Digital devices can include a Blu-ray player, set-top box, games console, or camcorder.

- 1 Using a High Speed HDMI cable, connect the **HDMI OUT** connector on your digital device to the **HDMI IN** connector on your SoundBar.



- 2 Using another High Speed HDMI cable, connect the **HDMI OUT (ARC)** connector on your SoundBar to the **HDMI IN** or **HDMI ARC** connector on the TV.
- 3 On the connected devices, turn on HDMI-CEC. For details, see the user manual of the devices.
- 4 Select the correct video input on the TV.
- 5 Select the correct HDMI input on your SoundBar (see 'Set up audio for connected devices' on page 13).

Note

- If you connect the **HDMI OUT (ARC)** connector on your SoundBar to an HDMI ARC compliant TV, you can either choose to select the audio to output through your SoundBar or through the TV. For details about mapping the TV audio, see the TV user manual.

Connect audio from TV and other devices

Play audio from TV or other devices through your SoundBar.

Use the best quality connection available on other devices.

Note

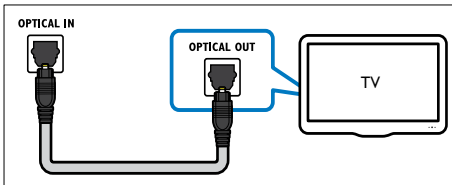
- The audio connections in this user manual are only recommendations. You can use other connections too.
- When your SoundBar and TV are connected through **HDMI ARC**, an audio connection is not required.

Option 1: Connect audio through a digital optical cable

Best quality audio

Using an optical cable, connect the **OPTICAL** connector on your SoundBar to the **OPTICAL OUT** connector on the device.

The digital optical connector might be labeled **SPDIF**, **SPDIF OUT**, or **OPTICAL**.

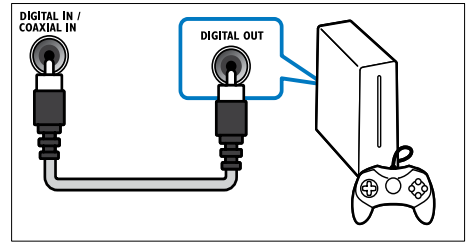


Option 2: Connect audio through a digital coaxial cable

Good quality audio

Using a coaxial cable, connect the **COAXIAL** connector on your SoundBar to the **COAXIAL/DIGITAL OUT** connector on the device.

The digital coaxial connector might be labeled **DIGITAL AUDIO OUT**.



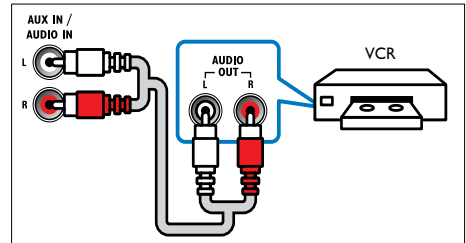
Tip

- To play video from the device, connect the device to the TV through a video connection.

Option 3: Connect audio through analog audio cables

Basic quality audio

Using an analog cable, connect the **AUX** connectors on your SoundBar to the audio connectors on the device.



Tip

- To play video from the device, connect the device to the TV through a video connection.

Set up audio for connected devices

When you connect a device to your SoundBar, check the audio settings.

- 1 On your TV and other devices, turn on HDMI-CEC. For details, see the user manual of the TV and the other device.
- 2 Select 'Amplifier' from the TV speakers menu. For details, see the TV user manual.
- 3 On your SoundBar, turn on System Audio Control, and then map the audio of the connected device to the correct connectors on your SoundBar (see 'Play audio from SoundBar' on page 17).

If the connected device is not HDMI-CEC compliant, press the source button on the main unit or remote control to select the correct audio input on your SoundBar (see 'Listen to a connected device' on page 13).

Listen to a connected device

Before you can listen to a connected device, select the source for the device.

Main unit

Press **SOURCE** on the SoundBar to cycle through and select one of the following audio sources on the display panel:

HDMI ARC (if available) > **HDMI IN1** > **HDMI IN2** > **MUSIC I-LINK** > **IPOD** > **AUX** > **OPTI IN** > **COAX IN**

Remote control

Press **AUDIO SOURCE** or **HDMI SOURCE** on the remote control to cycle through and select an audio source, as shown in the following table.

Source button	Display text	Audio source
AUDIO SOURCE	OPTI IN	Optical input
AUDIO SOURCE	COAX IN	Coaxial input
AUDIO SOURCE	AUX	AUX input
AUDIO SOURCE	MUSIC I-LINK	MP3 input
HDMI SOURCE	HDMI ARC (if available)	HDMI ARC output
HDMI SOURCE	HDMI IN1 or HDMI IN2	HDMI input



Note

- **HDMI ARC** can only be selected if you connect your SoundBar to the HDMI ARC compliant TV through HDMI ARC (see 'Option 1: Connect to TV through HDMI (ARC)' on page 10).

6 Use your SoundBar

This section helps you use the SoundBar to play audio from connected devices.

Before you start

- Make the necessary connections described in the quick start guide and the user manual.
- Switch the SoundBar to the correct source for other devices.

Choose your sound

This section helps you choose the ideal sound for your video or music.

Sound options and settings

Sound option	Setting for the option
MODE	AUTO
	MOVIE
	MUSIC
	ORIGINAL
	NEWS
	GAMING
AUTO VOL	ON
	OFF
NIGHT	ON
	OFF
AUD SYNC	0 MS, 10 MS, 20 MS, ..., 180 MS, 190 MS, 200 MS

- 1 Press **SOUND SETTINGS** repeatedly to access the sound options on the display panel (see 'Sound options and settings' on page 14).
- 2 Select a setting, and then press **OK**.
- 3 Press the **Navigation buttons** (▲ / ▼) to select an option.
- 4 Press **EXIT** to exit.

If you do not press a button within ten seconds, the menu exits automatically.

Sound mode

Select predefined sound modes to suit your video or music.

- 1 Press **SOUND SETTINGS** repeatedly to select **MODE** on the display panel (see 'Sound options and settings' on page 14).
- 2 Select a mode, and then press **OK**.
- 3 Press the **Navigation buttons** (▲ / ▼) to select a setting:
 - **AUTO**: Select either **MOVIE** or **MUSIC** automatically depend on the sound stream.
 - **MOVIE**: Enjoy a cinematic audio experience, specially enhanced for movies.
 - **MUSIC**: Recreate the original recording environment of your music, in the studio or at a concert.
 - **ORIGINAL**: Experience the original sound of your movies and music, without added sound effects.
 - **NEWS**: Hear every word with optimized speech and clear vocals.
 - **GAMING**: Enjoy thrilling arcade sounds, ideal for action-packed video games or loud parties.

Auto volume

Turn the auto volume on to keep the volume constant when you switch to a different source.

- 1 Press **SOUND SETTINGS** repeatedly to select **AUTO VOL** on the display panel (see 'Sound options and settings' on page 14).
- 2 Press **OK**.
- 3 Press the **Navigation buttons** (▲ / ▼) to select a setting:
 - **ON**: Turn on auto volume.
 - **OFF**: Turn off auto volume.

Night mode

For quiet listening, decrease the volume of loud sounds when you play discs. Night mode is only available for Dolby encoded DVD and Blu-ray discs.

- 1 Press **SOUND SETTINGS** repeatedly to select **NIGHT** on the display panel (see 'Sound options and settings' on page 14).
- 2 Press **OK**.
- 3 Press the **Navigation buttons** (▲ / ▼) to select a setting:
 - **ON**: Turn on night mode.
 - **OFF**: Turn off night mode.



Note

- If auto volume is set to **ON**, you cannot enable the night mode.

Synchronize picture and sound

If the audio and video are not synchronized, delay the audio to match the video.

- 1 Press **SOUND SETTINGS** repeatedly to select **AUD SYNC** on the display panel (see 'Sound options and settings' on page 14).
- 2 Press **OK**.
- 3 Within two seconds, press the **Navigation buttons** (▲ / ▼) to change the delay shown on the display panel.
- 4 Press **OK** to confirm.

Ambisound

Set up Ambisound to give the best surround sound effect.

Press **AMBISOUND** repeatedly to select a setting on the display panel:

- **AMBISOUND**: Surround sound for your room (see 'Ambisound' on page 18).
- **STEREO**: Two-channel stereo sound. Ideal for listening to music.
- **AUTO**: Surround sound based on the audio stream.



Note

- If you play a source with DTS, **DTS** is displayed on the display panel for two seconds.
- If you play a source with Dolby, **DOLBY D** is displayed on the display panel for two seconds.

Equalizer

Change the high frequency (treble) and low frequency (bass) settings of the SoundBar.

Press **TREBLE +/-** or **BASS +/-** to change the frequency shown on the display panel.

MP3 player

Connect your MP3 player to play your audio files or music.

What you need

- An MP3 player.
- A 3.5mm stereo audio cable.

Play music

- 1 Connect the MP3 player to the SoundBar as described in the Quick start guide.
- 2 Press **AUDIO SOURCE** repeatedly to select **MUSIC I-LINK** on the display panel.
- 3 Press the buttons on the MP3 player to select and play audio files or music.

iPod or iPhone

When you connect a Philips dock for iPod/iPhone, you can use the SoundBar to play music, movies and photos from your iPod or iPhone.

What you need

- A Philips dock (Model: Philips DCK3060).
- A yellow composite cable.



Note

- Philips dock for iPod or iPhone is sold separately.
- Charge your iPod or iPhone on the dock while the SoundBar is in iPod mode.

Dock your iPod or iPhone

- 1 Move the slide at the bottom of the dock to **STANDARD**, and then connect the dock to the SoundBar.
- 2 Connect the yellow composite cable to the dock and TV.
- 3 Switch on the iPod or iPhone, and place it on the dock.

Play music

- 1 Dock your iPod or iPhone (see 'Dock your iPod or iPhone' on page 15).
- 2 Press **DOCK for iPod**.
↳ **IPOD** appears on the display panel.
- 3 Press the play buttons to control play.

Button	Action
Navigation buttons (▲ / ▼)	Navigate up and down the menus.
OK	Confirm an entry or selection.
⏮ / ⏭ (Previous/Next)	Skip to the previous or next track or file. Press and hold to search backwards or forwards.
▶⏸ (Play/Pause)	Start, pause, or resume play. Press and hold to switch off the iPod or iPhone.
■ (Stop)/EXIT	Stop play for iPod or iPhone, or exit the SoundBar setup menu.
Navigation button (◀)	Return to the previous menu on the iPod or iPhone, or return to the previous SoundBar menu.

Play video and slideshows

- 1 On iPod, enable the TV ON setting. On iPhone, select the TV Out option.
- 2 Dock your iPod or iPhone (see 'Dock your iPod or iPhone' on page 15).
- 3 Press **DOCK for iPod**.
- 4 Switch the TV to the **AV/VIDEO** source (corresponding to the yellow composite cable).
↳ The TV screen goes blank.
- 5 Browse on the iPod or iPhone screen to select videos or photos.
- 6 Press **▶⏸ (Play/Pause)** on the SoundBar remote control to play the videos or photos.
↳ The picture is displayed on the TV.

EasyLink

The SoundBar supports Philips EasyLink, which uses the HDMI-CEC (Consumer Electronics Control) protocol. EasyLink-compliant devices that are connected through HDMI can be controlled by a single remote control.

Philips does not guarantee 100% interoperability with all HDMI-CEC devices.

What you need

- HDMI-CEC compliant devices.
- An HDMI connection between the connected devices.

Switch on

- 1 Switch on the HDMI-CEC operations on the TV and other connected devices. For information, see the manual of the TV or other devices.
- 2 Press **SETUP** repeatedly to select **EASYLINK** on the display panel (see 'Setup menu options and settings' on page 18).
- 3 Press **OK**.
- 4 Press the **Navigation buttons (▲ / ▼)** to select **ON**.
- 5 Press **OK** to confirm.
↳ The EasyLink is on.

Note

- To disable EasyLink, select **OFF**.
- When EasyLink is switched off, the following options are not available: **SYS STBY**, **AUD CTRL**, and **TV AUDIO**.

Control devices

Control the SoundBar and the other connected HDMI-CEC compliant devices with a single remote control.

One-touch standby

When you press and hold **⏻ (Standby)** on the remote control, the SoundBar and all the connected HDMI-CEC devices (that support one-touch standby) switch to the standby mode.

If One-touch standby is enabled on your SoundBar, you can switch to standby with the remote control of the TV or other connected HDMI-CEC devices.

System Audio Control

You need to connect a device to the TV and route its audio output from TV to the SoundBar so that the SoundBar can switch to the corresponding audio source automatically. To use one-touch audio, switch on System Audio Control and map connected devices to the audio input connectors of the SoundBar.

TV Audio Mapping

You need to connect a device to the TV and route its audio output from TV to the SoundBar in order to map the device to the audio input connector (see 'Play audio from SoundBar' on page 17).

One-touch standby

The SoundBar and all connected HDMI-CEC devices can be switched to standby by a remote control.

- 1 Press **SETUP** repeatedly to select **SYS STBY** on the display panel (see 'Setup menu options and settings' on page 18).
- 2 Press **OK**.
- 3 Press the **Navigation buttons (▲/▼)** to select **ON**.
- 4 Press **OK** to confirm.
- 5 Press **EXIT** to exit the menu.

Note

- To disable One-touch standby, select **OFF**.

Play audio from SoundBar

You need to connect an HDMI-CEC device to the TV and route its audio output from TV to the SoundBar in order to map the audio of the connected device to your SoundBar.

- 1 Press **SETUP** repeatedly to select **AUD CTRL** on the display (see 'Setup menu options and settings' on page 18).
- 2 Press **OK**.
- 3 Press the **Navigation buttons (▲/▼)** to select **ON**, and then press **OK**.
 - To play the audio from the TV speakers, select **OFF**.
- 4 Press **SETUP** repeatedly to select **TV AUDIO** on the display panel, and then press **OK**.
- 5 Press the **Navigation buttons (▲/▼)** to select the audio output for each connected device.
 - **HDMI ARC**: Audio output through the HDMI ARC connection.
 - **COAX IN**: Audio output through the coaxial connection.
 - **OPTI IN**: Audio output through the optical connection.
 - **AUX**: Audio output through the AUX connection.
- 6 Press **OK** to confirm.
- 7 Press **EXIT** to exit the menu.

Note

- **HDMI ARC** can only be selected if you connect your SoundBar to the HDMI ARC compliant TV through HDMI ARC connection (see 'Option 1: Connect to TV through HDMI (ARC)' on page 10).

7 Change settings

This section helps you to change the settings of your SoundBar.

! Caution

- Most of the settings are already configured with the best value for your SoundBar. Unless you have a reason to change a setting, it is best to leave it at the default value.

Setup menu options and settings

Setup menu option	Setting for the option	Setting for the option
EASYLINK	ON	
	OFF	
SYS STBY	ON	
	OFF	
AUD CTRL	ON	
	OFF	
TV AUDIO	HDMI ARC	
	COAX IN	
	OPTI IN	
	AUX	
SUBW VOL	+5, +4, +3, ..., 0, ..., -3, -4, -5	
AMBISOUND	POSITION	IN FRONT
		RIGHT
		LEFT
		CORNER
	DISTANCE	0M - 2M
		2M - 3M
		ABOVE 3M
DISPLAY	BRIGHT	
	DIM 1	
	DIM 2	

- 1 Press **SETUP** repeatedly to cycle through the options on the display panel (see 'Setup menu options and settings' on page 18).
- 2 Select an option, and then press **OK**.
- 3 Press the **Navigation buttons** (▲ / ▼) to select a setting for the option, and then press **OK**.

≡ Note

- If you do not press a button within ten seconds, the setup menu exits.
- To return to the previous menu, press the **Navigation button** (◀). To exit the menu, press **EXIT**.

Ambisound

To give the best surround sound effect, select options about your room and the position of the SoundBar.

- 1 Press **SETUP** repeatedly to select **AMBISOUND** on the display panel (see 'Setup menu options and settings' on page 18).
- 2 Press **OK**.
- 3 Set the position of the SoundBar.
 - (A) Press the **Navigation buttons** (▲ / ▼) to select **POSITION**, and then press **OK**.
 - (B) Press the **Navigation buttons** (▲ / ▼) to select **IN FRONT**, **RIGHT**, **LEFT**, or **CORNER**, and then press **OK**.
- 4 Set the distance between your listening position and the SoundBar.
 - (A) Press the **Navigation buttons** (▲ / ▼) to select **DISTANCE**, and then press **OK**.
 - (B) Press the **Navigation buttons** (▲ / ▼) to select **0M - 2M** (from zero to two meters), **2M - 3M** (from two to three meters), or **ABOVE 3M** (above three meters), and then press **OK**.

Display panel

Change the brightness of the SoundBar display panel.

- 1 Press **SETUP** repeatedly to select **DISPLAY** on the display panel (see 'Setup menu options and settings' on page 18).
- 2 Press **OK**.
- 3 Press the **Navigation buttons** (**▲** / **▼**) to select **BRIGHT**, **DIM 1**, or **DIM 2**, and then press **OK**.

Apply factory settings

You can reset your SoundBar to the default settings programmed at the factory.

In **AUX** mode, within three seconds, press

TREBLE+, **VOL-**, and **BASS+**.

- ↳ When the factory settings restore is complete, the SoundBar automatically switches off and restarts.

8 Wall mount and stand

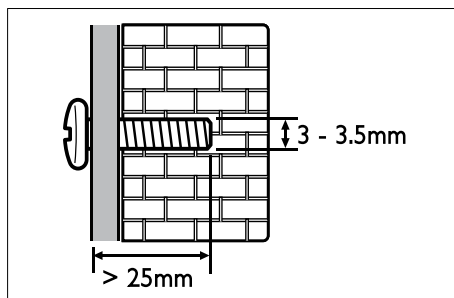
Before you mount your SoundBar to the wall or onto a single stand, read all safety precautions (see 'Safety' on page 5).

If you have any query, contact Philips Consumer Care in your country.

Wall mount

Screw length/diameter

Depend on the type of wall mounting this wall mount bracket, make sure that you use screws of a suitable length and diameter.



Note

- Before wall mount, you can remove the three rubber feet at the bottom of the SoundBar.
- If you remove the rubber feet, you cannot stick them back on the bottom of the SoundBar.

For information about how to wall your SoundBar, see the wall mount guide.

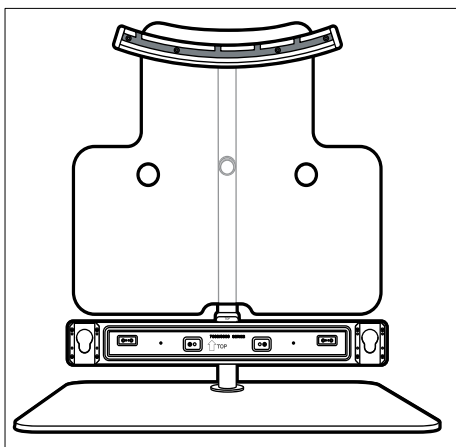
Stand for SoundBar and TV - STS1100/STS1300

If you have a Philips TV, you can mount your SoundBar and the TV onto a single stand.

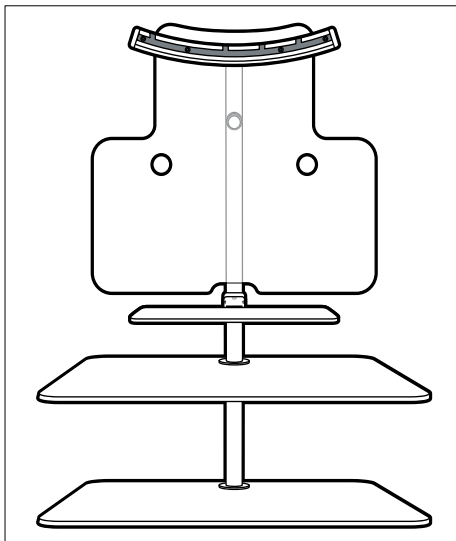
Purchase the STS1100 or STS1300 stand from an authorized Philips dealer.

For instructions on how to install the stand with the SoundBar and Philips TV, see the stand quick start guide.

STS1100:



STS1300:



9 Product specifications

Note

- Specifications and design are subject to change without notice.

Amplifier

- Total output power:
 - Europe and Asia: 300W RMS (30% THD)
 - Latin America: 224W RMS (10% THD)
- Frequency response: 20 Hz-20 kHz / ± 3 dB
- Signal-to-noise ratio: > 65 dB (CCIR) / (A-weighted)
- Input sensitivity:
 - AUX: 250 mV
 - Music iLink: 50 mV

Audio

- S/PDIF Digital audio input:
 - Coaxial: IEC 60958-3
 - Optical: TOSLINK

Main unit

- Power supply: 110-240 V~, 50-60 Hz
- Power consumption: 55 W
- Standby power consumption: ≤ 1 W
- Center speaker:
 - Speaker impedance: 6 ohm
 - Speaker drivers: 2 x 64 mm (2.5") full range
 - Frequency response: 150 Hz-20 kHz
- Front/Rear speakers:
 - Speaker impedance: 3 ohm
 - Speaker drivers: 4 x 64 mm (2.5") full range
 - Frequency response: 150 Hz-20 kHz
- Dimensions (WxHxD): 945 x 108 x 86 mm
- Weight: 3.82 kg

Subwoofer

- Output power: 80W RMS (30% THD)
- Impedance: 6 ohm
- Speaker drivers: 165 mm (6.5") woofer
- Frequency response: 20 Hz-150 Hz
- Dimensions (WxHxD): 192 x 447 x 253 mm
- Weight: 4.4 kg
- Cable length: 3 m

Wall mount

- Dimensions (WxHxD): 80 x 80 x 15 mm
- Weight: 0.08 kg/each

Remote control batteries

- 2 x AAA-R03-1.5 V

10 Troubleshooting



Warning

- Risk of electric shock. Never remove the casing of the product.

To keep the warranty valid, never try to repair the product yourself.

If you have problems using this product, check the following points before you request service. If you still have a problem, register your product and get support at www.philips.com/welcome.

Main unit

The buttons on the SoundBar do not work.

- Disconnect the SoundBar from the power supply for a few minutes, then reconnect.

Sound

No sound from SoundBar speakers.

- Connect the audio cable from your SoundBar to your TV or other devices. However, you do not need a separate audio connection when:
 - the SoundBar and TV are connected through **HDMI ARC** connection, or
 - a device is connected to the **HDMI IN** connector on your SoundBar.
- Set up the audio for the connected device (see 'Set up audio for connected devices' on page 13).
- Reset your SoundBar to its factory settings (see 'Apply factory settings' on page 19), and then switch it off and switch on again.
- On your SoundBar, press **SOURCE** repeatedly to select the correct audio input on the display panel.
- Make sure that the SoundBar is not muted. Press **✦** to select **MUTE OFF** on the display panel.

Distorted sound or echo.

- If you play audio from the TV through the SoundBar, make sure that the TV is muted.

Audio and video are not synchronized.

- 1) Press **III SOUND SETTINGS** repeatedly to select **AUD SYNC** on the display panel, and then press **OK**. 2) Within two seconds, press the **Navigation buttons** (**▲/▼**) to change the delay shown on the display panel. 3) Press **OK** to confirm.

Play

When you switch on the TV, the SoundBar automatically switches on.

- This behavior is normal when you are using Philips EasyLink (HDMI-CEC). To make the SoundBar work independently, switch off EasyLink.

EasyLink does not work.

- Make sure that the SoundBar is connected to a Philips brand EasyLink TV, and the EasyLink option is turned on (see 'Switch on' on page 16).

Cannot play video or photos from an iPod or iPhone on the TV.

- Browse and select videos and photos from the iPod or iPhone screen, and play them on your TV.
- Make sure that the iPod or iPhone software has not been tampered with or illegally modified.

Cannot view pictures from an iPod or iPhone on the TV.

- Connect a yellow composite cable to the iPod dock and the TV.
- Switch the TV to the **AV/VIDEO** source (corresponding to the yellow composite cable).
- Press the play button on the iPod or iPhone to start a slideshow.
- Make sure that the iPod or iPhone software has not been tampered with or illegally modified.



Free Manuals Download Website

<http://myh66.com>

<http://usermanuals.us>

<http://www.somanuals.com>

<http://www.4manuals.cc>

<http://www.manual-lib.com>

<http://www.404manual.com>

<http://www.luxmanual.com>

<http://aubethermostatmanual.com>

Golf course search by state

<http://golfingnear.com>

Email search by domain

<http://emailbydomain.com>

Auto manuals search

<http://auto.somanuals.com>

TV manuals search

<http://tv.somanuals.com>