

quick start guide

Thank you for buying this Philips wearable digital camera. To get started, follow the steps as shown.

1 Charging

Charge up your camera (3 hours) before using it. Detach the USB cover and connect the camera to your computer's USB port. (**Windows 98** users, please install required drivers first*). Your computer should be switched on. While charging the **POWER** (green) indicator blinks.



2 Switch on & Snap

Now your camera is ready for action - simply turn the lens cap clockwise to power ON. Hold the camera upright and frame your subject through the viewfinder. Press the shutter button.



3 Transfer

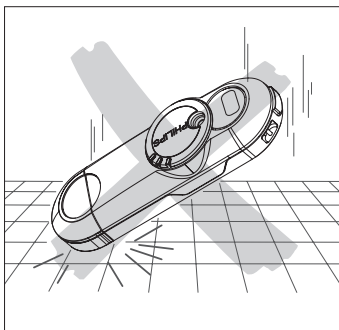
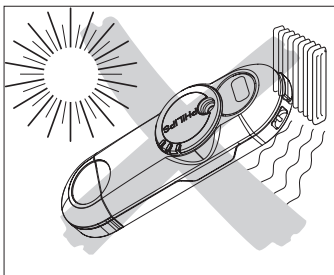
Turn your camera OFF and connect it to your computer's USB port. Open **Windows Explorer*** and drag and drop your pictures from your camera to your desired destination folder. Alternatively, use **Photo Manager** to transfer, enhance, edit and organize your pictures. To install **Photo Manager** insert the by-packed CD into your computer's CD-ROM drive. The installation menu is automatically launched for first time users.

Find more information on the by-packed CD-ROM or visit

www.philips.com/support

***CAUTION! For Windows 98 users only:**

WHEN CONNECTING THE CAMERA FOR THE VERY FIRST TIME TO CHARGE UP/ TRANSFER FILES, MAKE SURE YOU ONLY DO SO AFTER YOU HAVE INSERTED THE SUPPLIED CD-ROM INTO THE CD-ROM DRIVE FOR INSTALLATION OF THE REQUIRED DRIVERS.



Free Manuals Download Website

<http://myh66.com>

<http://usermanuals.us>

<http://www.somanuals.com>

<http://www.4manuals.cc>

<http://www.manual-lib.com>

<http://www.404manual.com>

<http://www.luxmanual.com>

<http://aubethermostatmanual.com>

Golf course search by state

<http://golfingnear.com>

Email search by domain

<http://emailbydomain.com>

Auto manuals search

<http://auto.somanuals.com>

TV manuals search

<http://tv.somanuals.com>