

Model No.: SPF1002B/G7, SPF1002R/G7, SPF1002N/G7 and SPF1002P/G7

Personalized Key Chain

User's Manual

V1.1

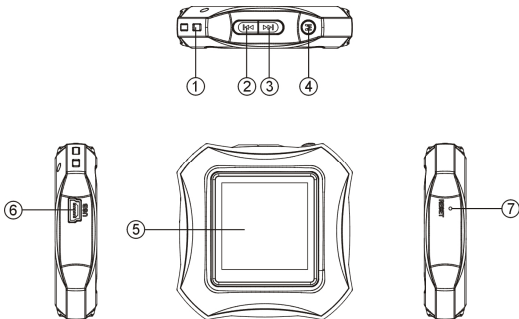
Features

- 1.5 inch LCD screen
- Supports JPEG, BMP and GIF - still digital photo formats
- Automatic slide show
- Customizable settings
- Built-in rechargeable lithium battery

Contents of the Package

- Digital Picture Frame
- User Manual
- USB cable
- Keychain

Button Description



- ① Keychain attachment.
- ② Previous – go to the previous picture or menu item.
- ③ Next – go to the next picture or menu item.
- ④ Menu–displays the main menu, or confirms your menu item selection.
- ⑤ LCD Display – displays photos and menus.
- ⑥ USB port – connect to a computer using the provided USB cable.
- ⑦ Reset – resets the unit when it freezes or stops responding.

Charge the Battery Before 1st Use

This device has a built-in rechargeable battery. It comes per-charged from the factory, but for optimal performance during your first use, it is recommended to charge the battery fully before using the PhotoFrame for the first time. To charge the battery, connect the included USB cable to the device and to a USB port on your computer. If you do not have a computer, you will need to use a separate USB/AC charger, commonly found at cell-phone stores. While charging, a battery symbol will appear on-screen. When the battery image is static and full, the charge is complete. It may take up to 3 hours for a complete charge.

Power On/Power Off

To turn ON the device, press and hold down the **MENU (4)** button for 3 seconds.

To turn OFF the Device either:

1. Press and hold down the **MENU (4)** button for 3 seconds.
Or
2. Briefly press the **MENU (4)** button to display the PhotoFrame's menu. Press the **"NEXT" (3) (▶▶)** button repeatedly until the "Power Off" menu item is highlighted. Press the **MENU (4)** button again to confirm.

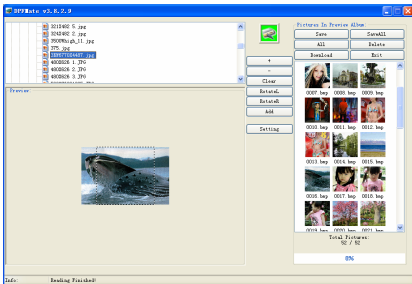
Transferring Photos from a Computer to the PhotoFrame

Note: Your Key Chain PhotoFrame comes with 8MB of internal memory, which can hold up to a 100 pictures depending on their size.

How to Connect the PhotoFrame to your Computer:

- 1) Connect the PhotoFrame to a USB port on your computer using the included USB cable. You can add up to 100 pictures depending upon file size
- 2) Briefly press the **MENU (4)** button on the PhotoFrame to display the menu.
- 3) Select "USB Connect" from the list of menu items. Press the **MENU (4)** button to confirm. A submenu will appear with a choice of "yes" or "no."

- 4) Select “Yes” to connect to the computer. Press the **MENU (4)** button to confirm.
- 5) Once the unit is connected to the computer, DPFMate, the image file transfer utility, will run automatically. If DPFMate does not appear, do the following: In the Windows start menu, go to “My Computer,” and find the drive letter of the PhotoFrame. Double click on the PhotoFrame drive (or right-click and choose “Explore”) to reveal the PhotoFrame’s files. Find the DPFMate application. Double click on DPFMate to run the application.



6) Using the DPFMate Utility to Transfer Photos to the PhotoFrame.

- a. In the left upper pane, select a file from your computer that you would like to copy and transfer to your PhotoFrame. The selected file is previewed on the left lower panel.
- b. Edit the selected picture in the preview panel.
 - Click the “+” button to zoom in or the “-” button to zoom out the view of the photo.
 - The selection frame shows you what part of the photo will appear on the picture frame display. Click your mouse and drag the selection frame to choose the desired area of the picture.
 - Click RotateL or RotateR to rotate the picture left or right.
- c. Click the “**Add**” button, or double-click on the previewed picture to add it to the list of photos to be downloaded. The photo will appear in the right pane.
- d. Click “**Save All**” to save the pictures you have chosen to download to the PhotoFrame.

- e. Click "**Download**" to download all files that appear in the right pane to the digital photo frame.
- f. Wait until the download is complete before disconnecting the PhotoFrame from the computer. ***Disconnecting prior to completion of the download could damage the PhotoFrame.***

To upload files from the photo frame:

Find the desired photo in the right pane. Click on the photo, then click the "**Save**" button to save it to the computer. To upload all photos, click the "**Save All**" button to save all of the displayed photos to your computer.

To delete one file from the digital photo frame: Select a photo in the right pane, then click "**Delete**."

To delete all files: click the "All" button to select all files. With all photos selected, click the "Delete" button to delete all files.

- 6) After the file upload has finished, you can safely disconnect the unit from the computer.

WARNING: Do not disconnect the USB cable during reading or downloading of images. Doing so may result in damage to the PhotoFrame and will void the warranty.

NOTE: The DPF will be formatted the first time when it is connected to a PC.

Using your PhotoFrame

NOTE: Before you can view photos on your PhotoFrame, you must charge the battery fully and download photos from your computer.

To view photos, press and hold the **MENU(4)** button to turn on the device. Photos should appear immediately on the LCD screen. If you have chosen "auto slide show" the photos will change at the desired intervals. If the PhotoFrame is in manual mode, briefly press the **NEXT(3)**("▶▶▶") button to view the next picture or press the **PREVIOUS (2)** ("◀◀◀") button to return to the previous picture.

System Settings

To set up and customize your PhotoFrame, briefly press the **MENU(4)** button to display the menu. Press the **PREVIOUS(2)** ("◀◀◀") or **NEXT(3)** ("▶▶▶") button to select a menu item, and press the **MENU** button to confirm your selection. A submenu will appear.

Below is a list of menu items and their submenus with the corresponding customized device settings.

Menu	Submenu
USB Connect	<ul style="list-style-type: none"> •Yes - Connects to the computer. •No - Disconnects from the computer.
Slide Show	<ul style="list-style-type: none"> •On - Enables the auto slide show feature. Set the time interval between slides. •Off - Disables the auto slide show feature and enables manual mode. •Cancel - Exit to previous menu screen.
Clock	<ul style="list-style-type: none"> •Digital Clock - Displays the current date and time on-screen in 12hr or 24hr format. •Analog Clock - Displays the time on-screen as an analog clock. •Set Clock - Set the date and time. Press the MENU button to switch between Year, Month and Day. Press the "◀◀" or "▶▶" button to change the date and time. •Calendar - Displays the calendar on-screen . •Cancel - Exit to the previous menu screen.
Auto OFF	<ul style="list-style-type: none"> •On - Set the length of time the device is idle after which the device turns off automatically. •Off - Disables auto off. •Cancel - Exit to the previous menu screen.
Backlight	Sets brightness of the LCD display.
Contrast	Sets contrast of the LCD display.
Delete	<ul style="list-style-type: none"> •Delete One - Deletes the current picture from the PhotoFrame. •Delete All - Deletes all pictures from the PhotoFrame. •Cancel - Exit
Power Off	Turns off the device.
Language	Selectable: English, Spanish and French
Version	Displays the software version information
Exit	Exits the menu.

Frequently Asked Questions & Troubleshooting Guide

The following section will help you to troubleshoot problems, and answer common questions about the PhotoFrame. If the following answers fail to solve your problem, please contact customer service. Never attempt to disassemble the device, as this will void the warranty.

1.Question: What photo formats can be displayed on the PhotoFrame?

Answer: The PhotoFrame can display digital photos that are stored in the JPEG/BMP/GIF (still) format; TIFF or RAW digital camera photo formats are *not* supported.

2. Question: What should I do if the photos do not download to the PhotoFrame?

Answer: If there is no transfers of photos occurring from the PC to the PhotoFrame, disconnect the PhotoFrame from the computer. Then reconnect it to the computer and try again.

3. Question: What do I do if the frame freezes up or does not respond to button presses?

Answer: Reset the device. Place the end of an opened paper clip into the “reset” hole on the bottom of the PhotoFrame. Push it in for 3 seconds then release. This will reset the device to all of the default settings

Technical Specifications

Item	Description
USB Interface	USB2.0 (full speed)
Built-in Internal Memory	8MB (Nor Flash)
Photo Format	JPEG/BMP/GIF(still)
Supported Language	English, Spanish and French
Play Mode	Auto slide show / manual
Display	1.5-inch CSTN screen, 128 x 128 pixels
Charge time	About 3h
Standby time	About 8h-10h
Battery Type	Rechargeable lithium-ion battery
Storage Temp*	-20℃ ~ +65℃
Ambient Temp*	0℃ ~ +55℃
Operation Relative Humidity*	20% ~ 90% (40℃)
Storage Relative Humidity*	20% ~ 93% (40℃)

Free Manuals Download Website

<http://myh66.com>

<http://usermanuals.us>

<http://www.somanuals.com>

<http://www.4manuals.cc>

<http://www.manual-lib.com>

<http://www.404manual.com>

<http://www.luxmanual.com>

<http://aubethermostatmanual.com>

Golf course search by state

<http://golfingnear.com>

Email search by domain

<http://emailbydomain.com>

Auto manuals search

<http://auto.somanuals.com>

TV manuals search

<http://tv.somanuals.com>