

How To:... INSTALL THE ACCESSORY TRAY

Tools Required: Phillips screwdriver, 5/32" Hex Key wrench

| Recumbent Models | Kit Required |
|--------------------|-----------------|
| 9500HR | AK51-00072-0000 |
| 9100, 5500HR, 4500 | AK51-00074-0000 |

Step 1

Using a Hex Key wrench remove the four SCREWS (A) and WASHERS (B) securing the SEAT BACK (C). Remove the SEAT BACK and set it aside.

Step 2

Slide the ACCESSORY TRAY (D) over the user right SEAT BACK POST (E) and down to make contact with the SEAT HANDLEBAR (F).

Step 3

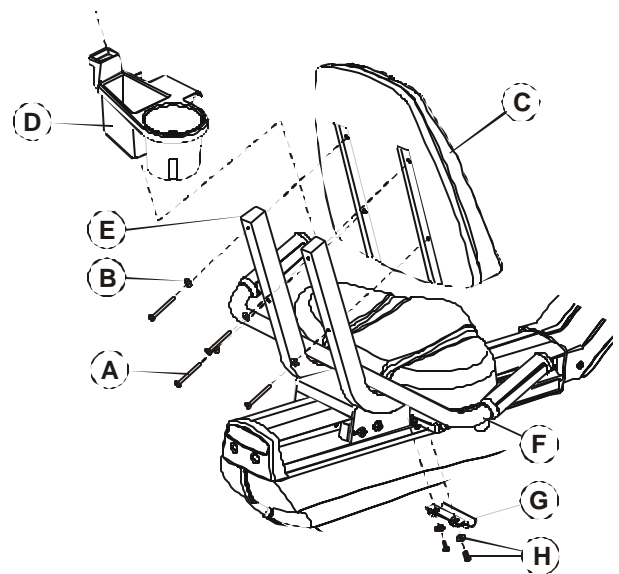
Position the UNDERSIDE CLAMP BRACKET (G) around the SEAT HANDLEBAR (F) and tighten the two CLAMP SCREWS and WASHERS (H).

NOTE: BE CAREFUL NOT TO OVER-TIGHTEN THE SCREWS (H).

Step 4

Align the four holes in the SEAT BACK (B) with those in the SEAT BACK POSTS. Insert the four SCREWS (A) and WASHERS (B) through the backside of the SEAT BACK POSTS (E) and into the SEAT BACK. Tighten the four SCREWS securely.

NOTE: BE CAREFUL NOT TO OVER-TIGHTEN THE SCREWS (A).



Free Manuals Download Website

<http://myh66.com>

<http://usermanuals.us>

<http://www.somanuals.com>

<http://www.4manuals.cc>

<http://www.manual-lib.com>

<http://www.404manual.com>

<http://www.luxmanual.com>

<http://aubethermostatmanual.com>

Golf course search by state

<http://golfingnear.com>

Email search by domain

<http://emailbydomain.com>

Auto manuals search

<http://auto.somanuals.com>

TV manuals search

<http://tv.somanuals.com>